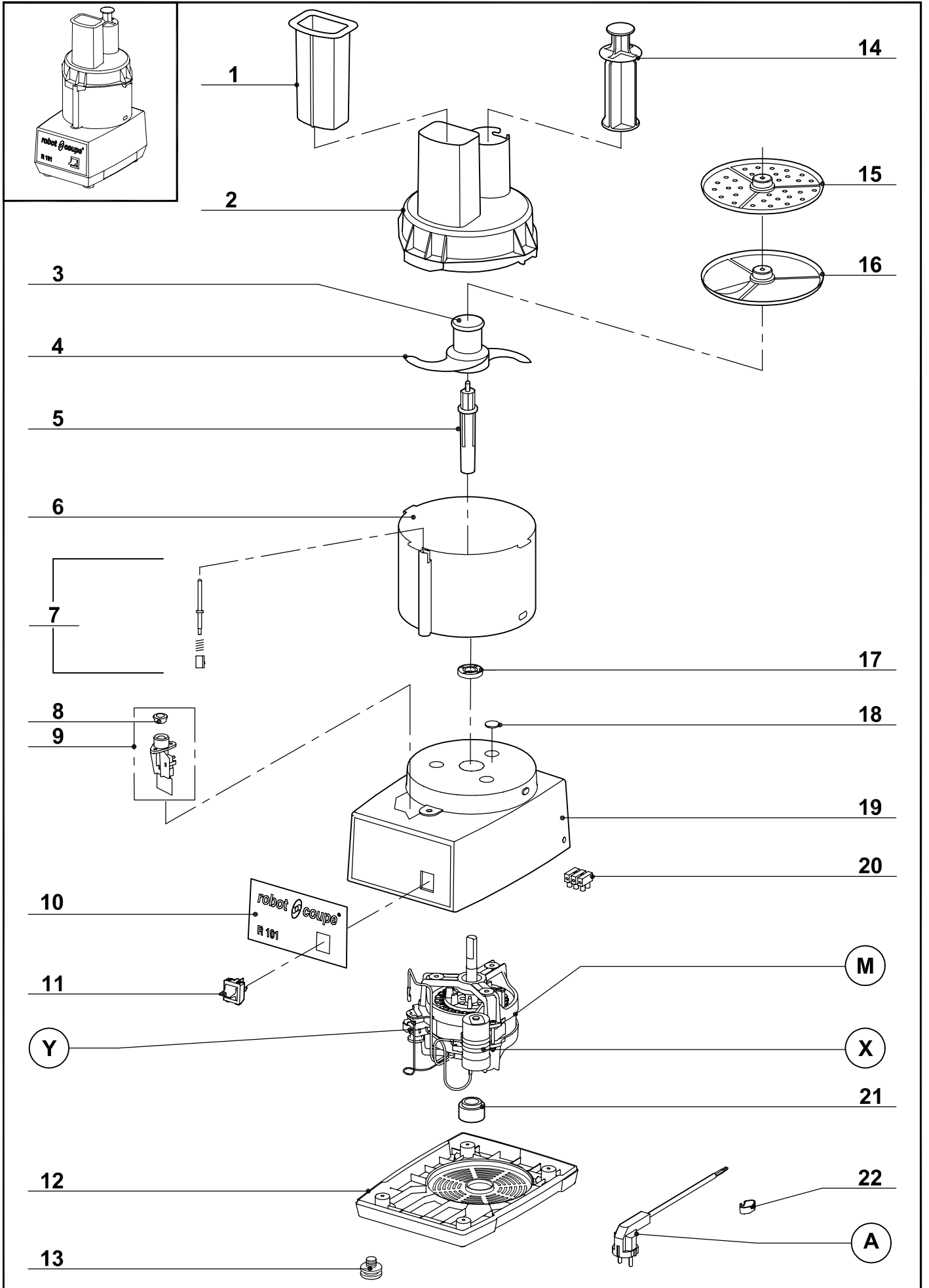


- (A)** MOTOR SUPPORT ASS
- (B)** FRONT PLATE
- (C)** POWER CORD
- (M)** MOTOR
- (X)** CAPACITOR
- (Y)** R2 RELAY-GRAVITY TYPE N/A

INDEX	REF.	DESIGNATION	Pricelist in : EUR
1	100832	R101 PUSHER	6,70
2	100865	R101 LID WITH TUBE	16,40
3	27058	R101 2MM GRATER (D)	16,45
4	101358	R101 CAP WASHER	0,15
5	500527	R2 MICROSWITCH SEAL	0,55
6	101105	R201 MICROSWITCH ASSEMBLY	10,05
7	29094	R101 TOP CASING	48,65
8	400803	R101 NAME PLATE	6,25
9	500645	R101 FRONT SWITCH	11,05
10	100041	WEDGING WASHER	1,80
11	29224	R101 BOTTOM CASE PLASTIC	21,75
12	100582	R2 RUBBER FOOT	0,55
13	100642	R301 RUBBER FOOT	0,15
14	27012	R101 BLADE CUTTING (D)	See Price list
15	27057	R101 2MM SLICER (D)	16,45
16	29023	R101 BOWL	64,15
17	101355	DEFLECTOR	1,00
18	101356	R101 ADDED SHAFT	12,85
19	500467	R301 MOTOR SEAL 12x22x4.5	1,30
20	101106	R201 POWER CORD CLIP	0,15

N°	M	Voltage	A	B	C	X	Y	
22030 R101	3110 121,65	230 / 50 / 1	507323 10,00	---	---	603636 13,75	500257 9,60	
22032	3111 121,75	115 / 60 / 1	507330 10,00	---	---	603658 11,90	512705 10,55	
22042	3111 121,75	115 / 60 / 1	507330 10,00	---	---	603658 11,90	512705 10,55	
22043	3112 133,85	220 / 60 / 1	507323 10,00	---	---	603658 11,90	512705 10,55	



- (A)** POWER CORD
- (M)** MOTOR H50 220V/60/1 R101A
- (X)** CAPACITOR
- (Y)** R2 RELAY-GRAVITY TYPE N/A

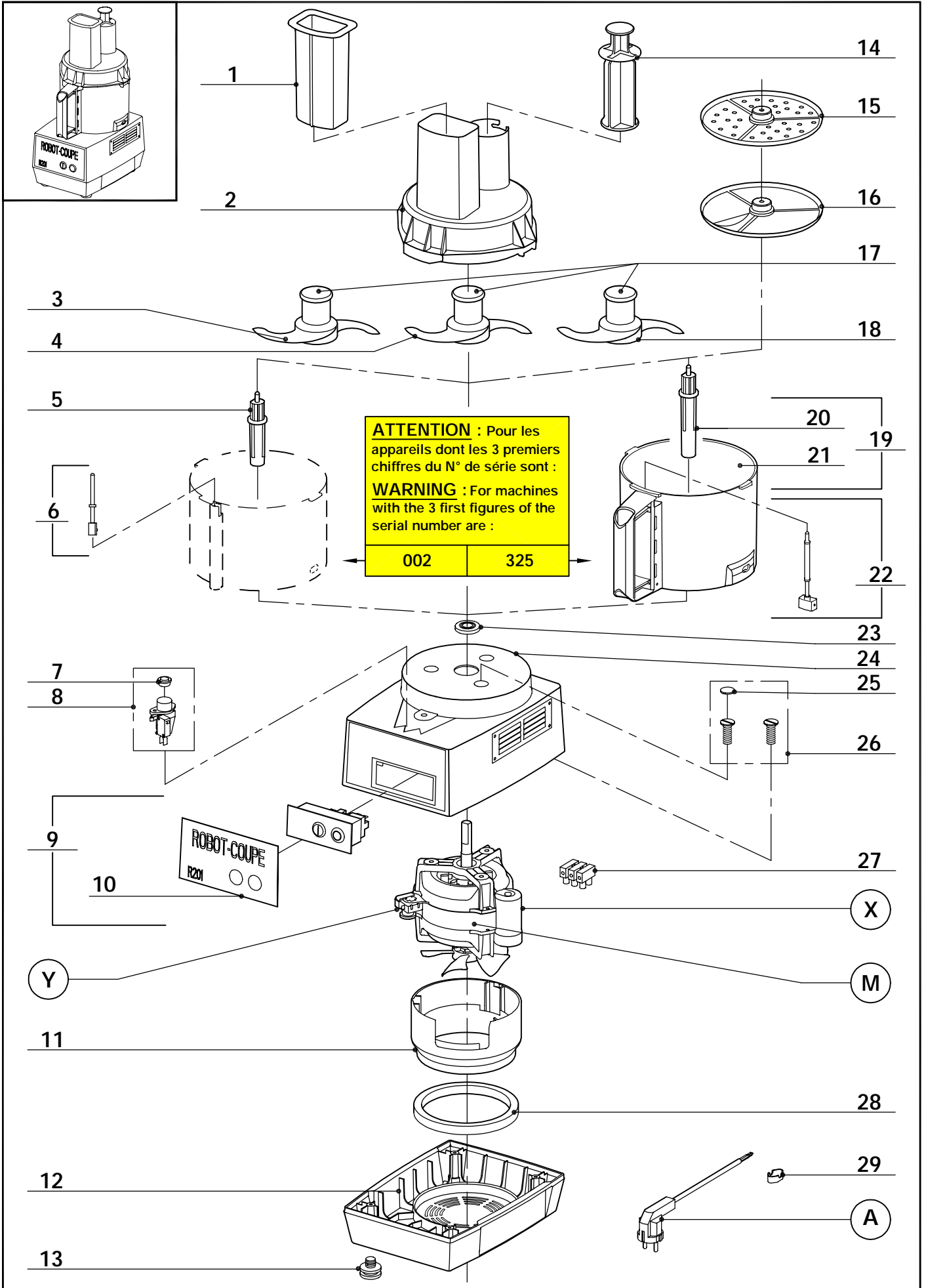
INDEX	REF.	DESIGNATION	Pricelist in : EUR
1	101089	R201 PUSHER-LARGE	7,90
2	101088	R201 LID	61,85
3	117058	R301 BLADE CAP	0,65
4	27061	R201 CUTTING BLADE-FINE SERRATED	See Price list
5	101120	R201 DISC STEM	6,40
6	102702	CUTTER BOWL LIGHT GREY	83,40
7	29007	R201 BOWL PIN ASSEMBLY	1,80
8	500527	R2 MICROSWITCH SEAL	0,55
9	101105	R201 MICROSWITCH ASSEMBLY	10,05
10	407776	R101A FRONT PLATE	6,60
11	500645	R101 FRONT SWITCH	11,05
12	39196	R101A BASE ASSEMBLY	47,80
13	101082	R201 RUBBER FOOT	1,05
14	103702	R201 G-CL CAROT PUSHER	6,15
15	27577	R301 2MM VEGETABLE GRATER	See Price list
16	27555	R301 2MM SLICER	See Price list
17	501010	BLIXER 4 COUPLING SEAL 15X35X6	7,40
18	101104	R201 BOLT COVER	0,60
19	39195	R101A MOTOR SUPPORT ASSY	88,80
20	19188	ELECTRIC CIRCUIT BOARD	3,00
21	101568	R101A ABSORBER	1,90
22	101106	R201 POWER CORD CLIP	0,15

**robot coupe®**

**R 101 "A"**

**Pricelist in : EUR**

N°	M	Voltage	A	X	Y	
22355	3126 130,90	230 / 50 / 1	507323 10,00	603636 13,75	500257 9,60	
22358	3127 130,90	220 / 60 / 1	507323 10,00	603658 11,90	500257 9,60	



- (A)** 2P+EARTH EUR POWER CORD
- (M)** MOTOR
- (X)** CAPACITOR
- (Y)** MOTOR RELAY

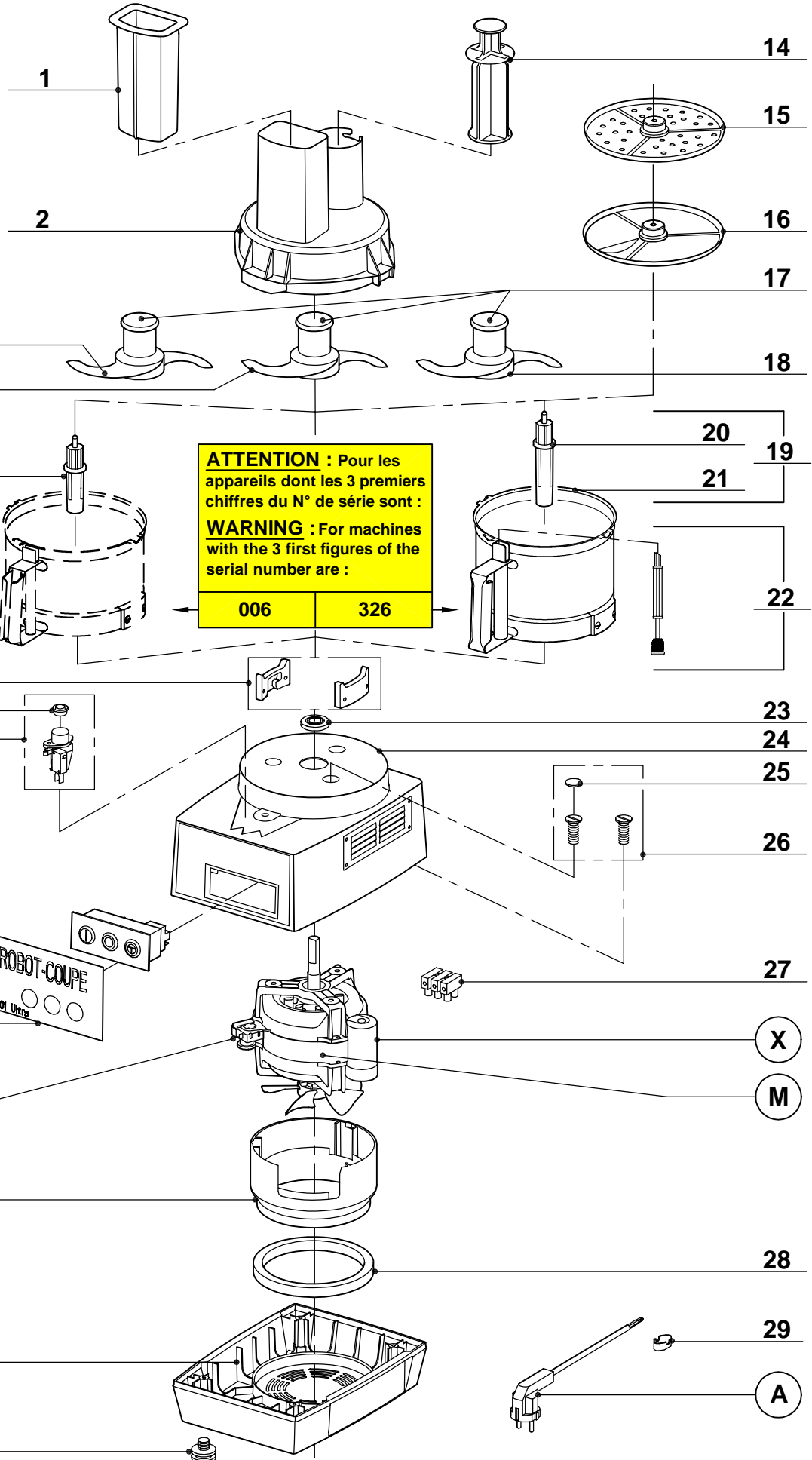
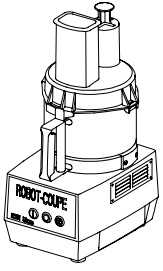
INDEX	REF.	DESIGNATION	Pricelist in : EUR
1	101089	R201 PUSHER-LARGE	7,90
2	101088	R201 LID	61,85
3	27138	R201 COARSE SEERRATED BLADES	<a href="#">See Price list</a>
4	27061	R201 CUTTING BLADE-FINE SERRATED	<a href="#">See Price list</a>
5	101120	R201 DISC STEM	6,40
6	29007	R201 BOWL PIN ASSEMBLY	1,80
7	500527	R2 MICROSWITCH SEAL	0,55
8	101105	R201 MICROSWITCH ASSEMBLY	10,05
9	29179	R201 SWITCH ASSEMBLY	64,75
10	400902	R201 NAME PLATE	7,40
11	101097	R201 FAN SHIELD	8,60
12	29904	R201 BASE ASSEMBLY	69,45
13	101082	R201 RUBBER FOOT	1,05
14	103702	R201 G-CL CAROT PUSHER	6,15
15	27577	R301 2MM VEGETABLE GRATER	<a href="#">See Price list</a>
16	27555	R301 2MM SLICER	<a href="#">See Price list</a>
17	117058	R301 BLADE CAP	0,65
18	27055	R201 CUTTING BLADE-FLAT	<a href="#">See Price list</a>
19	39221	R201 BOWL 3L PLAST ASSY	91,90
20	101569	DISC STEM 3QT PLAST BOWL	7,10
21	112204	R2N 3 QT GRAY BOWL	91,90
22	39103	Pin Assy, R2N 3qt Gray	2,00
23	501010	BLIXER 4 COUPLING SEAL 15X35X6	7,40
24	29177	R201 TOP CASING	89,15
25	101104	R201 BOLT COVER	0,60
26	29178	SCREW ASS	5,75
27	19188	ELECTRIC CIRCUIT BOARD	3,00
28	101099	R201 SHOCK ABSORBER	8,90
29	101106	R201 POWER CORD CLIP	0,15



N°	M	Voltage	A	X	Y	
22101	3202 200,60	230 / 50 / 1	507321 10,00	600018 12,30	500289 13,10	
22106	3205 200,60	115 / 60 / 1	507328 10,00	603669 10,55	500296 13,10	
22119	3206 220,75	220 / 60 / 1	507321 10,00	603669 10,55	500289 13,10	

# R 201 ULTRA

N° de série / Serial number  
 - 006 - - - - -  
 - 326 - - - - -



**ATTENTION :** Pour les appareils dont les 3 premiers chiffres du N° de série sont :

**WARNING :** For machines with the 3 first figures of the serial number are :

006	326
-----	-----

- (A)** 2P+EARTH EUR POWER CORD
- (M)** MOTOR
- (X)** CAPACITOR
- (Y)** MOTOR RELAY

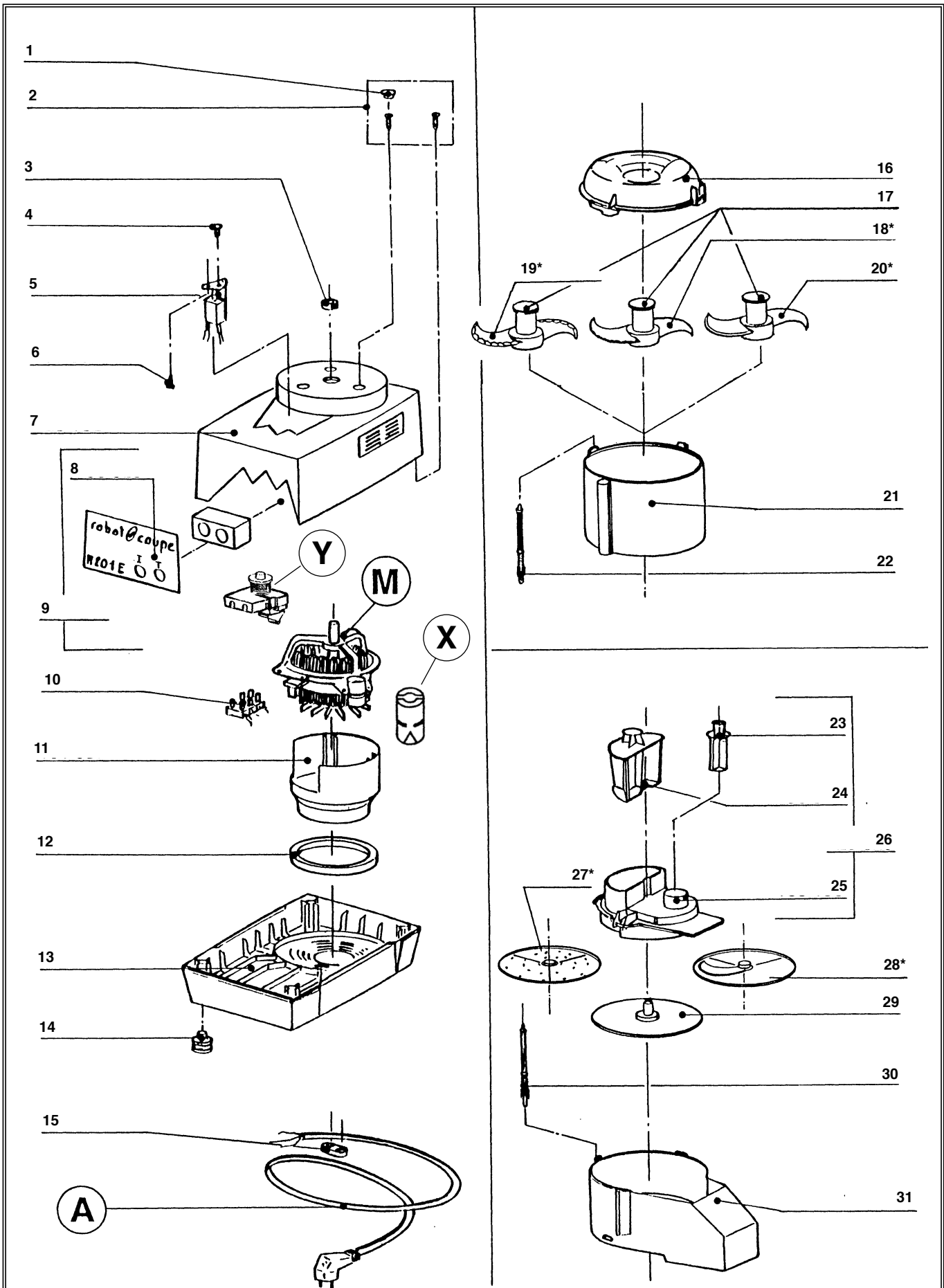
INDEX	REF.	DESIGNATION	Pricelist in : EUR
1	101089	R201 PUSHER-LARGE	7,90
2	101088	R201 LID	61,85
3	27138	R201 COARSE SEERRATED BLADES	See Price list
4	27061	R201 CUTTING BLADE-FINE SERRATED	See Price list
5	101120	R201 DISC STEM	6,40
6	29184	R201U LOCK PLATE & SCREWS	12,40
7	500527	R2 MICROSWITCH SEAL	0,55
8	101105	R201 MICROSWITCH ASSEMBLY	10,05
9	29191	R201U SWITCH ASSEMBLY	74,55
10	400540	R201U NAME PLATE	7,40
11	101097	R201 FAN SHIELD	8,60
12	29905	R201U BASE ASSEMBLY	69,45
13	101082	R201 RUBBER FOOT	1,05
14	102701	CARROT PUSHER GREY ANTHR.	6,15
15	27577	R301 2MM VEGETABLE GRATER	See Price list
16	27555	R301 2MM SLICER	See Price list
17	117058	R301 BLADE CAP	0,65
18	27055	R201 CUTTING BLADE-FLAT	See Price list
19	39222	R201U BOWL 3L INOX ASSY	265,25
20	101570	DISC STEM 3QT INOX BOWL	7,10
21	104077	3L ST. STEEL BOWL	265,25
22	39220	R2 3L STAINLESS ST. SAFETY ROD	Contact us
23	501010	BLIXER 4 COUPLING SEAL 15X35X6	7,40
24	29192	R201U TOP CASING	89,15
25	101208	R201U BOLT COVER	0,60
26	29200	SCREW ASS	5,75
27	19188	ELECTRIC CIRCUIT BOARD	3,00
28	101099	R201 SHOCK ABSORBER	8,90
29	101106	R201 POWER CORD CLIP	0,15

**robot coupe®**

**R 201 Ultra**

**Pricelist in : EUR**

N°	M	Voltage	A	X	Y	
22120	3202 200,60	220 / 50 / 1	507321 10,00	600018 12,30	500289 13,10	
22122	3205 200,60	115 / 60 / 1	507328 10,00	603669 10,55	500296 13,10	
22123	3206 220,75	220 / 60 / 1	507321 10,00	603669 10,55	500289 13,10	



- (A)** POWER CORD
- (M)** MOTOR
- (X)** CAPACITOR
- (Y)** MOTOR RELAY

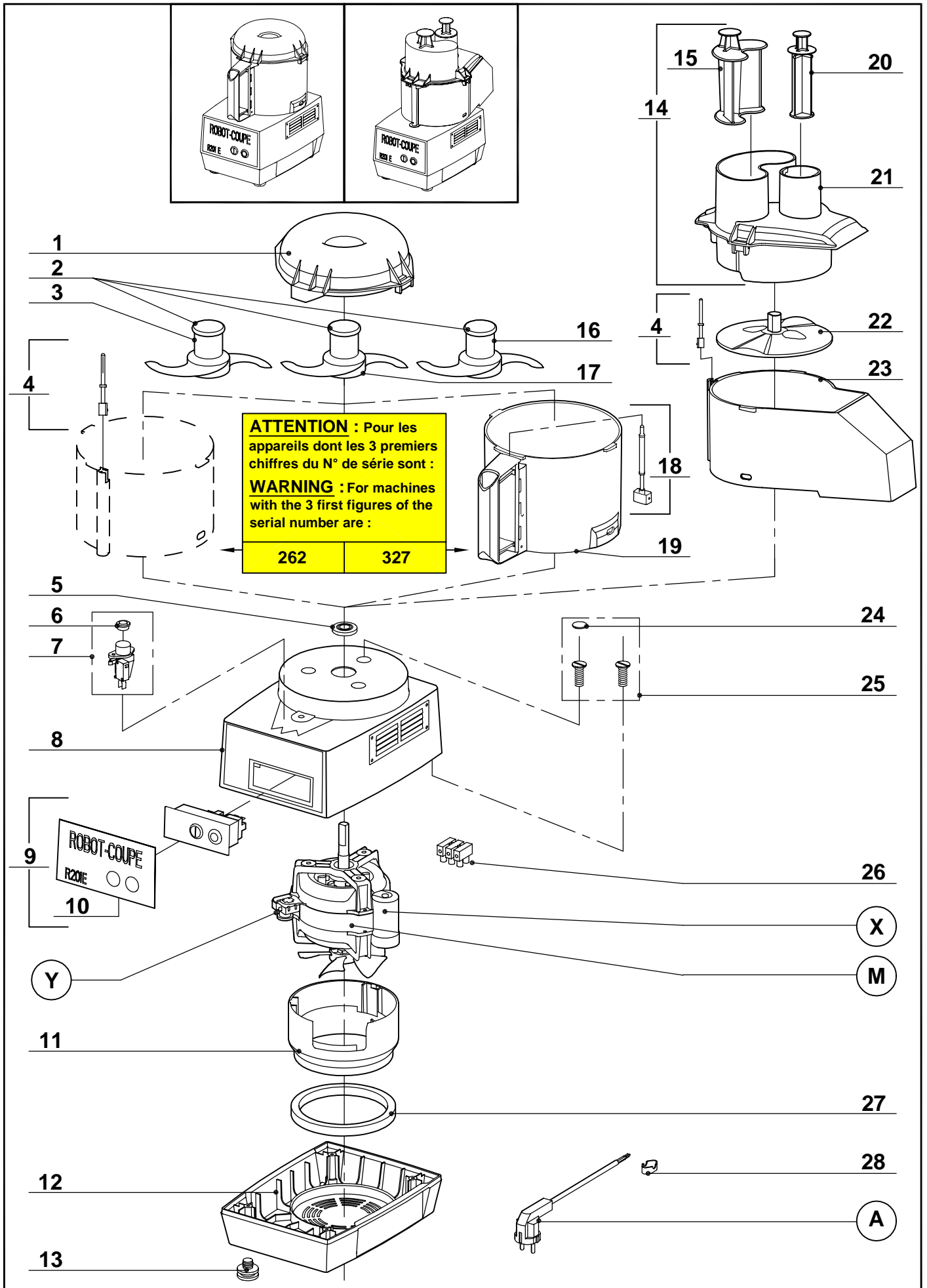
INDEX	REF.	DESIGNATION	Pricelist in : EUR
1	101104	R201 BOLT COVER	0,60
2	29178	SCREW ASS	5,75
3	501010	BLIXER 4 COUPLING SEAL 15X35X6	7,40
4	500527	R2 MICROSWITCH SEAL	0,55
5	101105	R201 MICROSWITCH ASSEMBLY	10,05
6	200004	R201 MICROSWITCH SCREW	0,05
7	29182	R201E MOTOR SUPPORT ASS	89,15
8	400529	R201E FRONT PLATE	7,40
9	29188	R201E CONTROL PANEL ASS	64,65
10	19188	ELECTRIC CIRCUIT BOARD	3,00
11	101097	R201 FAN SHIELD	8,60
12	101099	R201 SHOCK ABSORBER	8,90
13	101087	R201 BOTTOM CASING	69,60
14	101082	R201 RUBBER FOOT	1,05
15	101106	R201 POWER CORD CLIP	0,15
16	106458	R211 LID-CUTTING	47,90
17	117058	R301 BLADE CAP	0,65
18	27055	R201 CUTTING BLADE-FLAT	See Price list
19	27138	R201 COARSE SEERRATED BLADES	See Price list
20	27061	R201 CUTTING BLADE-FINE SERRATED	See Price list
21	102702	CUTTER BOWL LIGHT GREY	83,40
22	29007	R201 BOWL PIN ASSEMBLY	1,80
23	100110	R229N - R2 ROUND PUSHER	6,50
24	106524	R228N - R2 VEGETABLE PUSHER	16,55
25	100106	R205N - R2 VEGETABLE SLICER LID	37,55
26	29025	R2 LID + PUSHERS ASS.	30,00
27	27577	R301 2MM VEGETABLE GRATER	See Price list
28	27555	R301 2MM SLICER	See Price list
29	106469	R2 SLING PLATE N/A	10,70
30	29007	R201 BOWL PIN ASSEMBLY	1,80
31	109164	R206 - R2 VEGETABLE SLICER BOWL	89,05

**robot coupe®**

**R 201 E**

**Pricelist in : EUR**

N°	M	Voltage	A	X	Y	
22110	3202 200,60	230 / 50 / 1	507320 10,00	600018 12,30	500289 13,10	
22112	3205 200,60	115 / 60 / 1	503206 10,00	603669 10,55	500296 13,10	
22135	3206 220,75	220 / 60 / 1	507320 10,00	603669 10,55	500289 13,10	





- (A)** POWER CORD
- (M)** MOTOR
- (X)** CAPACITOR
- (Y)** MOTOR RELAY

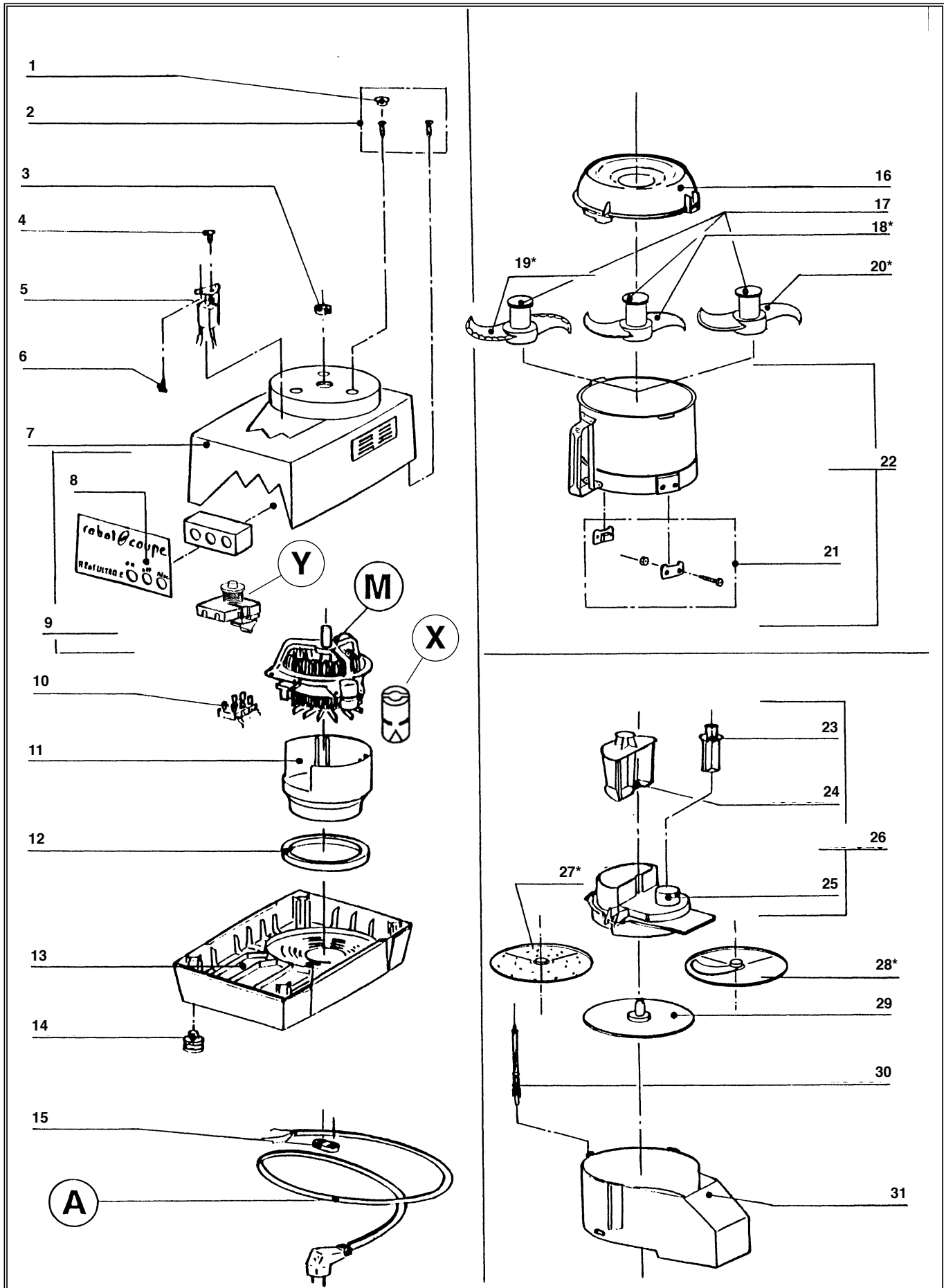
INDEX	REF.	DESIGNATION	Pricelist in : EUR
1	106458	R211 LID-CUTTING	47,90
2	117058	R301 BLADE CAP	0,65
3	27055	R201 CUTTING BLADE-FLAT	See Price list
4	29858	R201E"A" SAFETY ROD ASSY	1,80
5	501010	BLIXER 4 COUPLING SEAL 15X35X6	7,40
6	500527	R2 MICROSWITCH SEAL	0,55
7	101105	R201 MICROSWITCH ASSEMBLY	10,05
8	29182	R201E MOTOR SUPPORT ASS	89,15
9	29188	R201E CONTROL PANEL ASS	64,65
10	400529	R201E FRONT PLATE	7,40
11	101097	R201 FAN SHIELD	8,60
12	29904	R201 BASE ASSEMBLY	69,45
13	101082	R201 RUBBER FOOT	1,05
14	29857	R201E"A" LID+PUSHER ASSY	91,40
15	103249	R201E"A" VEGET PUSHER	16,60
16	27138	R201 COARSE SEERRATED BLADES	See Price list
17	27061	R201 CUTTING BLADE-FINE SERRATED	See Price list
18	39103	Pin Assy, R2N 3qt Gray	2,00
19	112204	R2N 3 QT GRAY BOWL	91,90
20	103245	R201E"A" CAROT PUSHER	6,50
21	118592	R201E "A" VEG SLICER LID	71,20
22	103288	R2 (NL) DISCHARGE PLATE	10,70
23	102699	VEG'PREP BOWL	83,40
24	101104	R201 BOLT COVER	0,60
25	29178	SCREW ASS	5,75
26	19188	ELECTRIC CIRCUIT BOARD	3,00
27	101099	R201 SHOCK ABSORBER	8,90
28	101106	R201 POWER CORD CLIP	0,15

**robot coupe®**

**R 201 E "A"**

**Pricelist in : EUR**

N°	M	Voltage	A	X	Y	
22232	3202 200,60	230 / 50 / 1	507320 10,00	600018 12,30	500289 13,10	
22238	3205 200,60	115 / 60 / 1	503206 10,00	603669 10,55	500296 13,10	
22239	3202 200,60	220 / 60 / 1	507320 10,00	603669 10,55	500289 13,10	



- (A)** POWER CORD
- (M)** MOTOR
- (X)** CAPACITOR
- (Y)** MOTOR RELAY

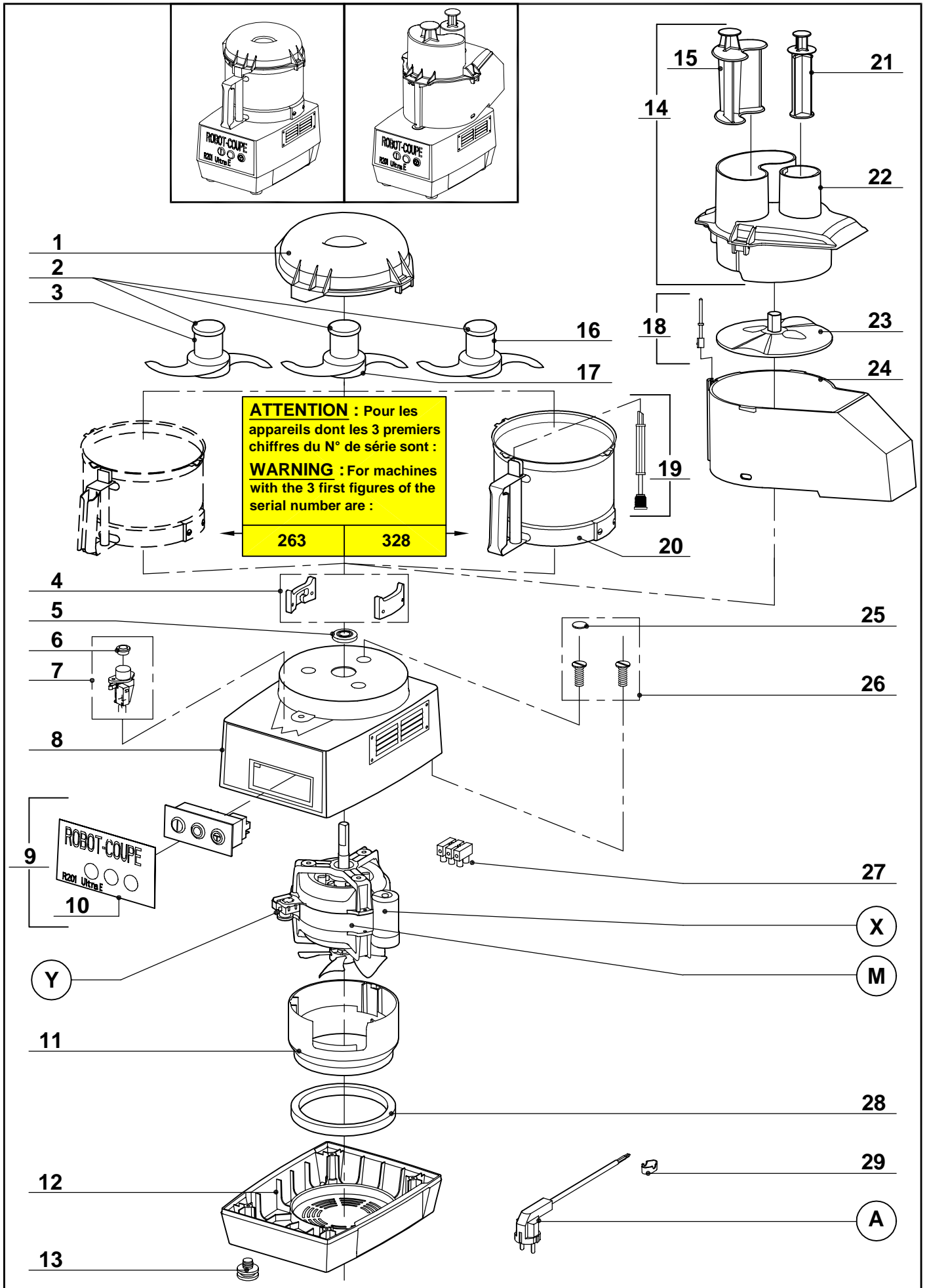
INDEX	REF.	DESIGNATION	Pricelist in : EUR
1	101208	R201U BOLT COVER	0,60
2	29200	SCREW ASS	5,75
3	501010	BLIXER 4 COUPLING SEAL 15X35X6	7,40
4	500527	R2 MICROSWITCH SEAL	0,55
5	101105	R201 MICROSWITCH ASSEMBLY	10,05
6	200004	R201 MICROSWITCH SCREW	0,05
7	29196	R201U/E MOTOR SUPPORT ASS	89,15
8	400356	R201U/E FRONT PLATE	7,40
9	29195	R201U/E ON/OFF/PULSE ASS	74,55
10	19188	ELECTRIC CIRCUIT BOARD	3,00
11	101097	R201 FAN SHIELD	8,60
12	101099	R201 SHOCK ABSORBER	8,90
13	101087	R201 BOTTOM CASING	69,60
14	101082	R201 RUBBER FOOT	1,05
15	101106	R201 POWER CORD CLIP	0,15
16	106458	R211 LID-CUTTING	47,90
17	117058	R301 BLADE CAP	0,65
18	27055	R201 CUTTING BLADE-FLAT	See Price list
19	27138	R201 COARSE SEERRATED BLADES	See Price list
20	27061	R201 CUTTING BLADE-FINE SERRATED	See Price list
21	29184	R201U LOCK PLATE & SCREWS	12,40
22	29180	R201U BOWL STAINLESS STEEL	241,25
23	100110	R229N - R2 ROUND PUSHER	6,50
24	106524	R228N - R2 VEGETABLE PUSHER	16,55
25	100106	R205N - R2 VEGETABLE SLICER LID	37,55
26	29025	R2 LID + PUSHERS ASS.	30,00
27	27577	R301 2MM VEGETABLE GRATER	See Price list
28	27555	R301 2MM SLICER	See Price list
29	106469	R2 SLING PLATE N/A	10,70
30	29007	R201 BOWL PIN ASSEMBLY	1,80
31	109164	R206 - R2 VEGETABLE SLICER BOWL	89,05

**robot coupe®**

**R 201 Ultra E**

**Pricelist in : EUR**

N°	M	Voltage	A	X	Y	
22130	3202 200,60	220 / 50 / 1	507320 10,00	600018 12,30	500289 13,10	
22132	3205 200,60	115 / 60 / 1	503206 10,00	603669 10,55	500296 13,10	
22133 THAI	3202 200,60	220 / 50 / 1	507320 10,00	600018 12,30	500289 13,10	
22134	3206 220,75	220 / 60 / 1	507320 10,00	603669 10,55	500289 13,10	



- (A)** POWER CORD
- (M)** MOTOR
- (X)** CAPACITOR
- (Y)** MOTOR RELAY

INDEX	REF.	DESIGNATION	Pricelist in : EUR
1	106458	R211 LID-CUTTING	47,90
2	117058	R301 BLADE CAP	0,65
3	27138	R201 COARSE SEERRATED BLADES	See Price list
4	29184	R201U LOCK PLATE & SCREWS	12,40
5	501010	BLIXER 4 COUPLING SEAL 15X35X6	7,40
6	500527	R2 MICROSWITCH SEAL	0,55
7	101105	R201 MICROSWITCH ASSEMBLY	10,05
8	29196	R201U/E MOTOR SUPPORT ASS	89,15
9	29195	R201U/E ON/OFF/PULSE ASS	74,55
10	400356	R201U/E FRONT PLATE	7,40
11	101097	R201 FAN SHIELD	8,60
12	29905	R201U BASE ASSEMBLY	69,45
13	101082	R201 RUBBER FOOT	1,05
14	29857	R201E"A" LID+PUSHER ASSY	91,40
15	103249	R201E"A" VEGET PUSHER	16,60
16	27061	R201 CUTTING BLADE-FINE SERRATED	See Price list
17	27055	R201 CUTTING BLADE-FLAT	See Price list
18	29858	R201E"A" SAFETY ROD ASSY	1,80
19	39220	R2 3L STAINLESS ST. SAFETY ROD	Contact us
20	104077	3L ST. STEEL BOWL	265,25
21	103245	R201E"A" CAROT PUSHER	6,50
22	118592	R201E "A" VEG SLICER LID	71,20
23	103288	R2 (NL) DISCHARGE PLATE	10,70
24	102699	VEG'PREP BOWL	83,40
25	101208	R201U BOLT COVER	0,60
26	29200	SCREW ASS	5,75
27	19188	ELECTRIC CIRCUIT BOARD	3,00
28	101099	R201 SHOCK ABSORBER	8,90
29	101106	R201 POWER CORD CLIP	0,15

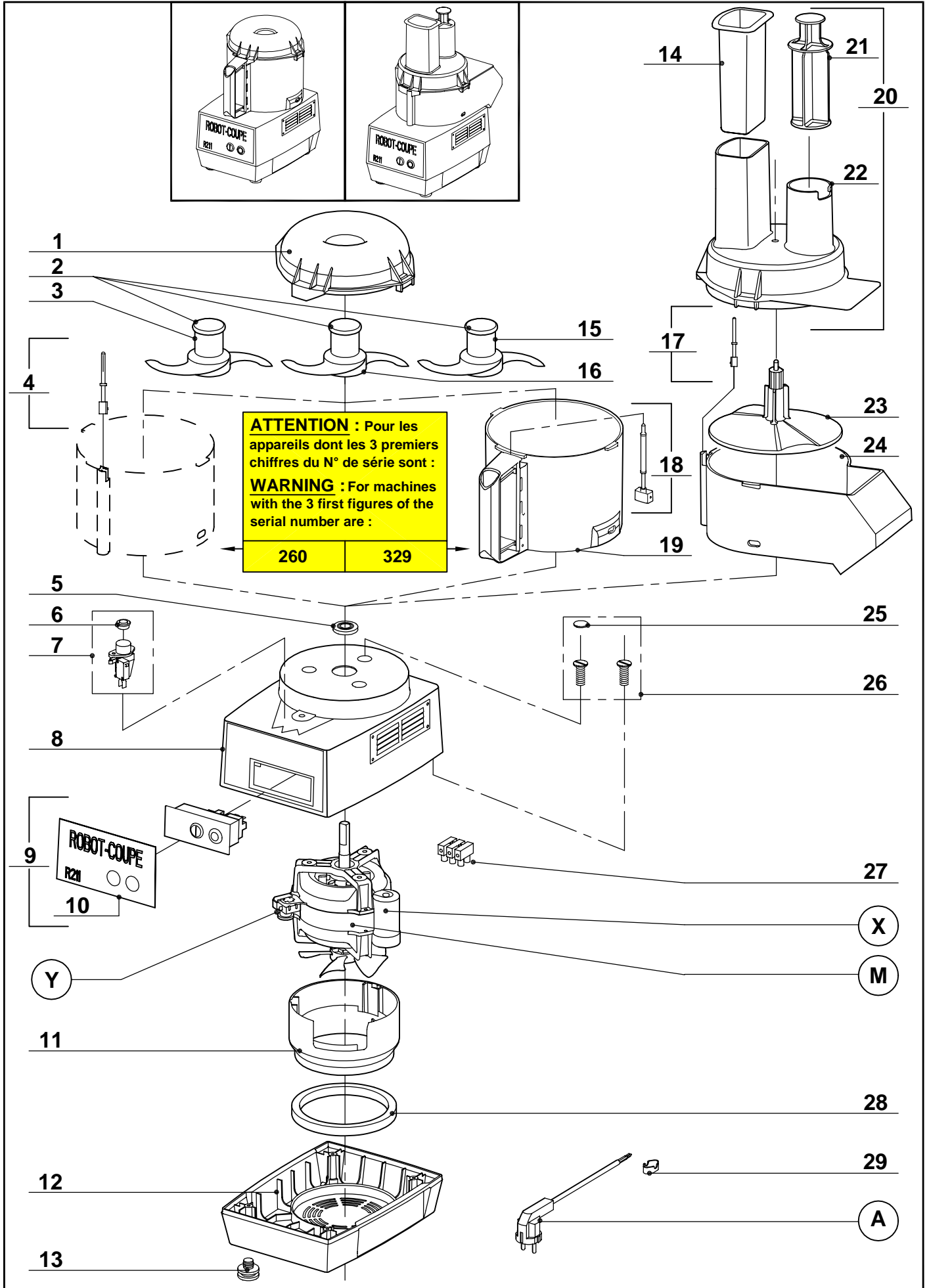
**robot coupe®**

**R 201 Ultra E "A"**

**Pricelist in : EUR**

N°	M	Voltage	A	X	Y	
22234	3205 200,60	115 / 60 / 1	503206 10,00	603669 10,55	500296 13,10	
22235	3206 220,75	220 / 60 / 1	507320 10,00	603669 10,55	500289 13,10	
22236	3202 200,60	230 / 50 / 1	507320 10,00	600018 12,30	500289 13,10	





**ATTENTION :** Pour les appareils dont les 3 premiers chiffres du N° de série sont :

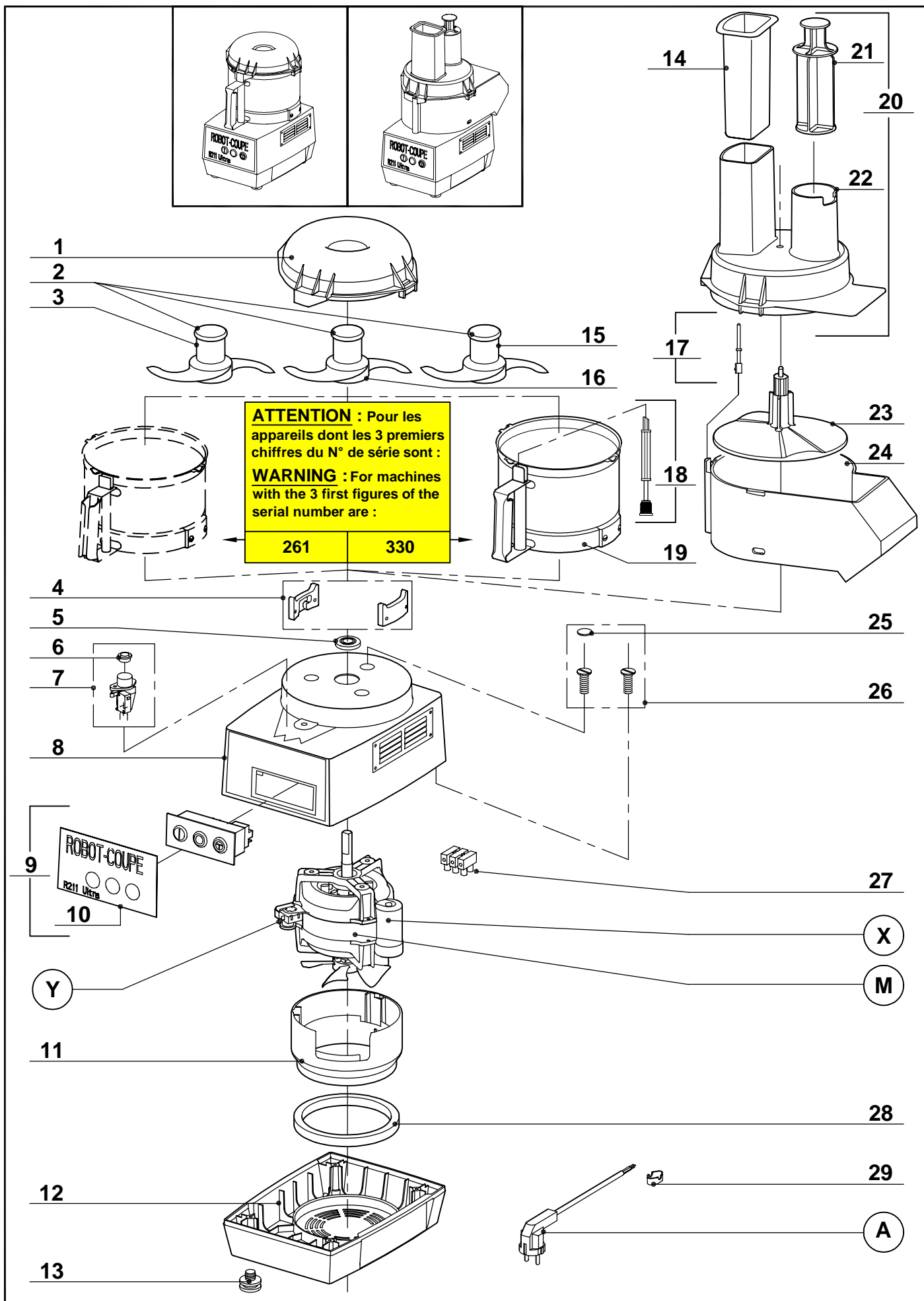
**WARNING :** For machines with the 3 first figures of the serial number are :

260	329
-----	-----

- (A)** 2P+EARTH EUR POWER CORD
- (M)** MOTOR
- (X)** CAPACITOR
- (Y)** MOTOR RELAY

INDEX	REF.	DESIGNATION	Pricelist in : EUR
1	106458	R211 LID-CUTTING	47,90
2	117058	R301 BLADE CAP	0,65
3	27055	R201 CUTTING BLADE-FLAT	See Price list
4	29858	R201E"A" SAFETY ROD ASSY	1,80
5	501010	BLIXER 4 COUPLING SEAL 15X35X6	7,40
6	500527	R2 MICROSWITCH SEAL	0,55
7	101105	R201 MICROSWITCH ASSEMBLY	10,05
8	29861	R211 TOP CASING	88,85
9	29862	SWITCH PANEL R211 ASSY	64,60
10	407279	R211 NAME PLATE	7,40
11	101097	R201 FAN SHIELD	8,60
12	29904	R201 BASE ASSEMBLY	69,45
13	101082	R201 RUBBER FOOT	1,05
14	103244	R211 VEGETABLE PUSHER	7,85
15	27138	R201 COARSE SEERRATED BLADES	See Price list
16	27061	R201 CUTTING BLADE-FINE SERRATED	See Price list
17	29875	R211/R211U SAFETY ROD ASS	1,75
18	39103	Pin Assy, R2N 3qt Gray	2,00
19	112204	R2N 3 QT GRAY BOWL	91,90
20	29877	R211 VEGETABLE LID ASSEMBLY	79,35
21	102701	CARROT PUSHER GREY ANTHR.	6,15
22	103294	R211 VEGET SLICER LID	67,90
23	103287	R211 SLING PLATE	10,70
24	103289	R211 VEGETABLE BOWL	75,50
25	101104	R201 BOLT COVER	0,60
26	29178	SCREW ASS	5,75
27	19188	ELECTRIC CIRCUIT BOARD	3,00
28	101099	R201 SHOCK ABSORBER	8,90
29	101106	R201 POWER CORD CLIP	0,15

N°	M	Voltage	A	X	Y	
22241	3202 200,60	230 / 50 / 1	507321 10,00	600018 12,30	500289 13,10	
22243 FR	3202 200,60	230 / 50 / 1	507321 10,00	600018 12,30	500289 13,10	
22244	3206 220,75	220 / 60 / 1	507321 10,00	603669 10,55	500289 13,10	
22245	3205 200,60	115 / 60 / 1	507328 10,00	603669 10,55	500296 13,10	



- (A)** 2P+EARTH EUR POWER CORD
- (M)** MOTOR
- (X)** CAPACITOR
- (Y)** MOTOR RELAY

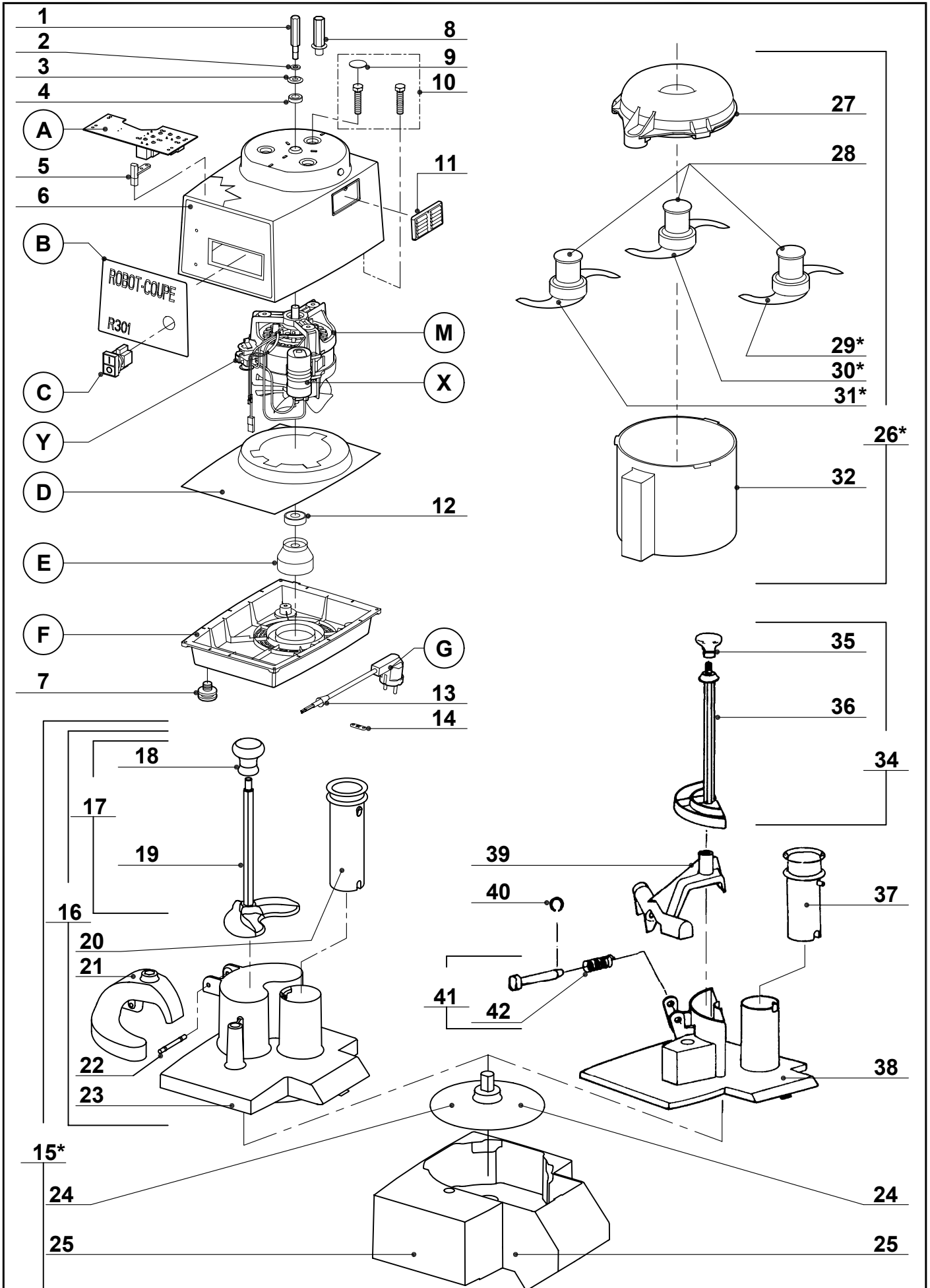
INDEX	REF.	DESIGNATION	Pricelist in : EUR
1	106458	R211 LID-CUTTING	47,90
2	117058	R301 BLADE CAP	0,65
3	27138	R201 COARSE SEERRATED BLADES	See Price list
4	29184	R201U LOCK PLATE & SCREWS	12,40
5	501010	BLIXER 4 COUPLING SEAL 15X35X6	7,40
6	500527	R2 MICROSWITCH SEAL	0,55
7	101105	R201 MICROSWITCH ASSEMBLY	10,05
8	29866	R211U MOTOR SUPPORT ASSY	89,00
9	29867	ON/OFF SWITCH ASSEMBLY	74,40
10	407280	R211 ULTRA NAME PLATE	7,40
11	101097	R201 FAN SHIELD	8,60
12	29905	R201U BASE ASSEMBLY	69,45
13	101082	R201 RUBBER FOOT	1,05
14	103244	R211 VEGETABLE PUSHER	7,85
15	27055	R201 CUTTING BLADE-FLAT	See Price list
16	27061	R201 CUTTING BLADE-FINE SERRATED	See Price list
17	29875	R211/R211U SAFETY ROD ASS	1,75
18	39220	R2 3L STAINLESS ST. SAFETY ROD	Contact us
19	104077	3L ST. STEEL BOWL	265,25
20	29877	R211 VEGETABLE LID ASSEMBLY	79,35
21	102701	CARROT PUSHER GREY ANTHR.	6,15
22	103294	R211 VEGET SLICER LID	67,90
23	103287	R211 SLING PLATE	10,70
24	103289	R211 VEGETABLE BOWL	75,50
25	101208	R201U BOLT COVER	0,60
26	29200	SCREW ASS	5,75
27	19188	ELECTRIC CIRCUIT BOARD	3,00
28	101099	R201 SHOCK ABSORBER	8,90
29	101106	R201 POWER CORD CLIP	0,15

**robot coupe®**

**R 211 Ultra**

**Pricelist in : EUR**

N°	M	Voltage	A	X	Y	
22248	3202 200,60	230 / 50 / 1	507321 10,00	600018 12,30	500289 13,10	
22249	3206 220,75	220 / 60 / 1	507321 10,00	603669 10,55	500289 13,10	
22250	3205 200,60	115 / 60 / 1	507328 10,00	603669 10,55	500296 13,10	



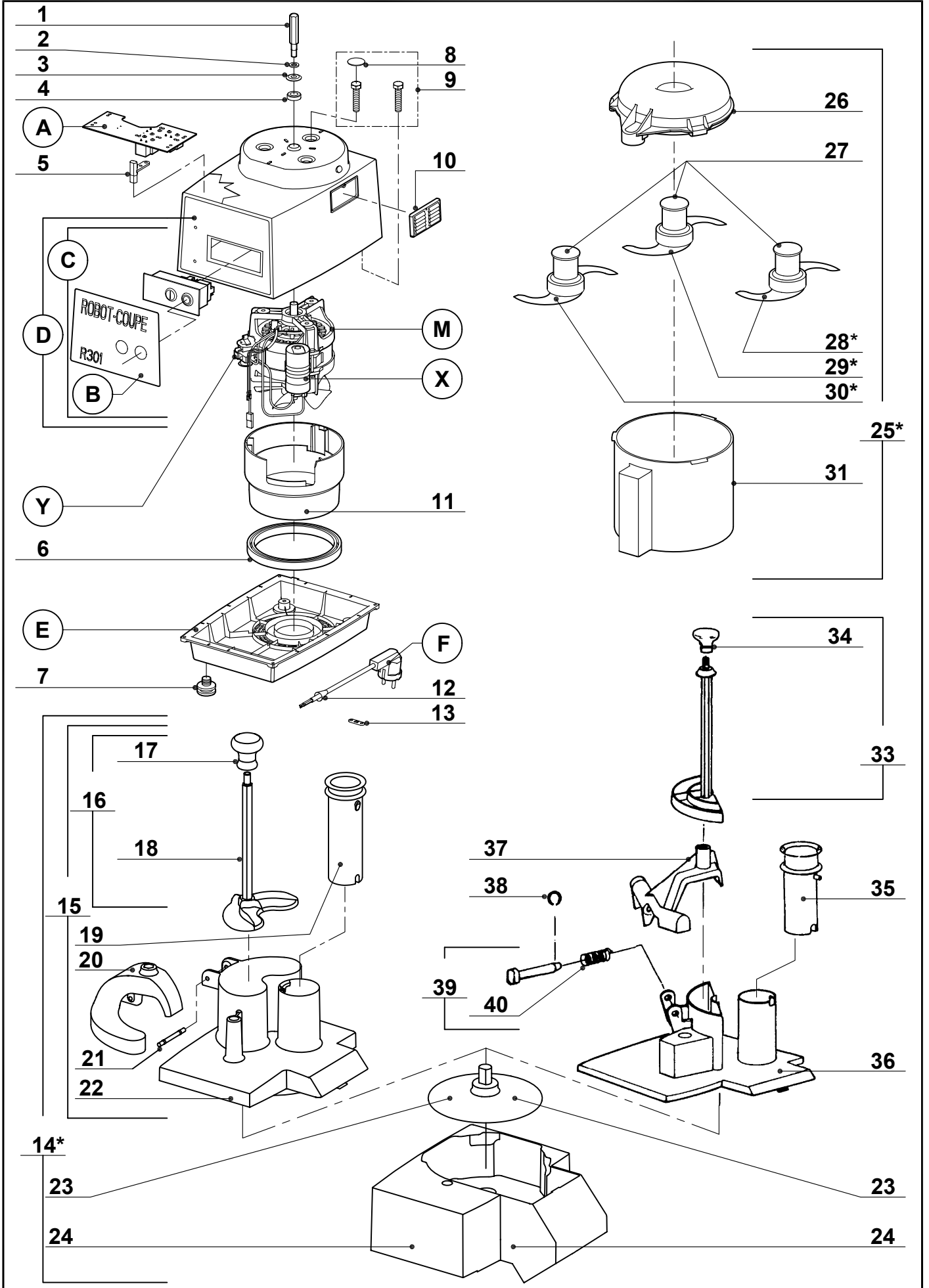
- (A)** CIRCUIT BOARD
- (B)** BLIXER 4 NAME PLATE
- (C)** ON/OFF SWITCH
- (D)** R301 MOTOR DEFLECTOR
- (E)** R301 MOTOR STABILISER CONE
- (F)** R301 BOTTOM CASING
- (G)** POWER CORD
- (M)** MOTOR
- (X)** CAPACITOR
- (Y)** MOTOR RELAY

INDEX	REF.	DESIGNATION	Pricelist in : EUR
1	100082	R301U DRIVE SHAFT	13,80
2	100096	(C) Spacer R300,R301U Series C	1,05
3	100084	R301U DRIVE SHAFT COLLAR	1,65
4	500467	R301 MOTOR SEAL 12x22x4.5	1,30
5	39358	R301U REED SW/SOCKET ASSEMBLY	4,55
6	130240	R301 TOP CASING	71,75
7	100642	R301 RUBBER FOOT	0,15
8	100580	R301 MOTOR SHAFT COVER	2,60
9	125257	R301 BOLT COVER	0,60
10	29083	R301U MOTOR SUPPORT SCREW SET	5,75
11	125290	R301 VENT COVER	2,55
12	103534	R301C VEG'PREP LID	48,30
13	508706	R301 CABLE GROMMET	1,80
14	108515	POWER CORD CLIP	0,15
15	27213	STICK BLENDER PAN SUPPORT 330-650mm	See Price list
16	29922	Veg Lid Assembly	130,75
17	29880	R301C Large Pusher Assy	44,60
18	102021	CL50A PUSHER KNOB SPACER	4,85
19	103703	R301C LARGE PUSHER	41,15
20	118324	CL52D ROUND PUSHER	6,50
21	29921	R301U (C) PUSHER GUIDE	35,55
22	103540	R301C LARGE PUSHER PIVOT PIN ASSY	13,30
23	103534	R301C VEG'PREP LID	48,30
24	100954	R301U SLING PLATE	12,40
25	100951	VEGETABLE SLICER BOWL	144,10
26	37060	R301 BOWL CUTTER ATTACHMENT	See Price list
27	39380	R301 LID-CUTTING	74,80
28	117058	R301 BLADE CAP	0,65
29	38150	R301 CUTTING BLADE METAL SHAFT	See Price list
30	27065	R301 COARSE SERRATED BLADE	See Price list
31	27135	R301 FINE SERRATED BLADE	See Price list
32	39370	R301 BOWL-CUTTING	125,20
34	29157	R301U PUSHER PLATE ASSEMBLY	44,65
35	102021	CL50A PUSHER KNOB SPACER	4,85
36	100953	R301U N VEGET.PUSHER (N)	41,70
37	100955	R301U VEGETABLE PUSHER	6,10
38	100950	R301U VEGETABLE LID ONLY	48,40
39	100952	R301U PUSHER GUIDE	16,20
40	203011	R301U HINGE CLIP	1,10
41	100963	R301U HINGE	13,60
42	101054	PUSHER GUIDE SPRING	3,75



N°	M	Voltage	A	B	C	D	E	F	G	
22009	3062 212,25	220 / 60 / 1	39003 115,00	415712 7,60	509091 60,10	125136 8,60	127578 3,50	29243 17,15	507322 10,00	
22024	3041 200,70	220 / 50 / 1	39003 115,00	415712 7,60	509091 60,10	125136 8,60	127578 3,50	29243 17,15	507322 10,00	
22026	3049 200,70	115 / 60 / 1	39014 121,65	415712 7,60	509091 60,10	125136 8,60	127578 3,50	29243 17,15	507329 10,00	
2900	3041 200,70	220 / 50 / 1	39003 115,00	415712 7,60	509091 60,10	125136 8,60	127578 3,50	29243 17,15	507322 10,00	
2901	3041 200,70	220 / 50 / 1	39003 115,00	415712 7,60	509091 60,10	125136 8,60	127578 3,50	29243 17,15	507322 10,00	
2904	3041 200,70	220 / 50 / 1	39003 115,00	415712 7,60	509091 60,10	125136 8,60	127578 3,50	29243 17,15	507322 10,00	
2906	3049 200,70	115 / 60 / 1	39014 121,65	415712 7,60	509091 60,10	125136 8,60	127578 3,50	29243 17,15	507329 10,00	
2907	3062 212,25	220 / 60 / 1	39003 115,00	415712 7,60	509091 60,10	125136 8,60	127578 3,50	29243 17,15	507322 10,00	

N°	M	Voltage	X	Y	
22009	3062 212,25	220 / 60 / 1	603669 10,55	500289 13,10	
22024	3041 200,70	220 / 50 / 1	600018 12,30	500289 13,10	
22026	3049 200,70	115 / 60 / 1	603669 10,55	500296 13,10	
2900	3041 200,70	220 / 50 / 1	600018 12,30	500289 13,10	
2901	3041 200,70	220 / 50 / 1	600018 12,30	500289 13,10	
2904	3041 200,70	220 / 50 / 1	600018 12,30	500289 13,10	
2906	3049 200,70	115 / 60 / 1	603669 10,55	500296 13,10	
2907	3062 212,25	220 / 60 / 1	603669 10,55	500289 13,10	



- (A)** CIRCUIT BOARD
- (B)** FRONT PLATE
- (C)** R301 B SWITCH ASSEMBLY
- (D)** MOTOR SUPPORT ASSEMBLY
- (E)** R301B BOTTOM CASE
- (F)** POWER CORD
- (M)** MOTOR
- (X)** CAPACITOR
- (Y)**

INDEX	REF.	DESIGNATION	Pricelist in : EUR
1	100082	R301U DRIVE SHAFT	13,80
2	100096	(C) Spacer R300,R301U Series C	1,05
3	100084	R301U DRIVE SHAFT COLLAR	1,65
4	500467	R301 MOTOR SEAL 12x22x4.5	1,30
5	29441	R301 ULTRA B REED SWITCH ASS	10,45
6	101099	R201 SHOCK ABSORBER	8,90
7	101082	R201 RUBBER FOOT	1,05
8	101754	BLIXER 3 BOLT COVER	0,60
9	29298	MOT SUP SCREWS ASS B	5,75
10	125290	R301 VENT COVER	2,55
11	117266	R301U B FAN SHIELD	8,60
12	508706	R301 CABLE GROMMET	1,80
13	108515	POWER CORD CLIP	0,15
14	27213	STICK BLENDER PAN SUPPORT 330-650mm	See Price list
15	29922	Veg Lid Assembly	130,75
16	29880	R301C Large Pusher Assy	44,60
17	102021	CL50A PUSHER KNOB SPACER	4,85
18	103703	R301C LARGE PUSHER	41,15
19	118324	CL52D ROUND PUSHER	6,50
20	29921	R301U (C) PUSHER GUIDE	35,55
21	103540	R301C LARGE PUSHER PIVOT PIN ASSY	13,30
22	103534	R301C VEG'PREP LID	48,30
23	100954	R301U SLING PLATE	12,40
24	100951	VEGETABLE SLICER BOWL	144,10
25	37060	R301 BOWL CUTTER ATTACHMENT	See Price list
26	39380	R301 LID-CUTTING	74,80
27	117058	R301 BLADE CAP	0,65
28	38150	R301 CUTTING BLADE METAL SHAFT	See Price list
29	27065	R301 COARSE SERRATED BLADE	See Price list
30	27135	R301 FINE SERRATED BLADE	See Price list
31	39370	R301 BOWL-CUTTING	125,20
33	29157	R301U PUSHER PLATE ASSEMBLY	44,65
34	102021	CL50A PUSHER KNOB SPACER	4,85
35	100955	R301U VEGETABLE PUSHER	6,10
36	100950	R301U VEGETABLE LID ONLY	48,40
37	100952	R301U PUSHER GUIDE	16,20
38	203011	R301U HINGE CLIP	1,10
39	100963	R301U HINGE	13,60
40	101054	PUSHER GUIDE SPRING	3,75

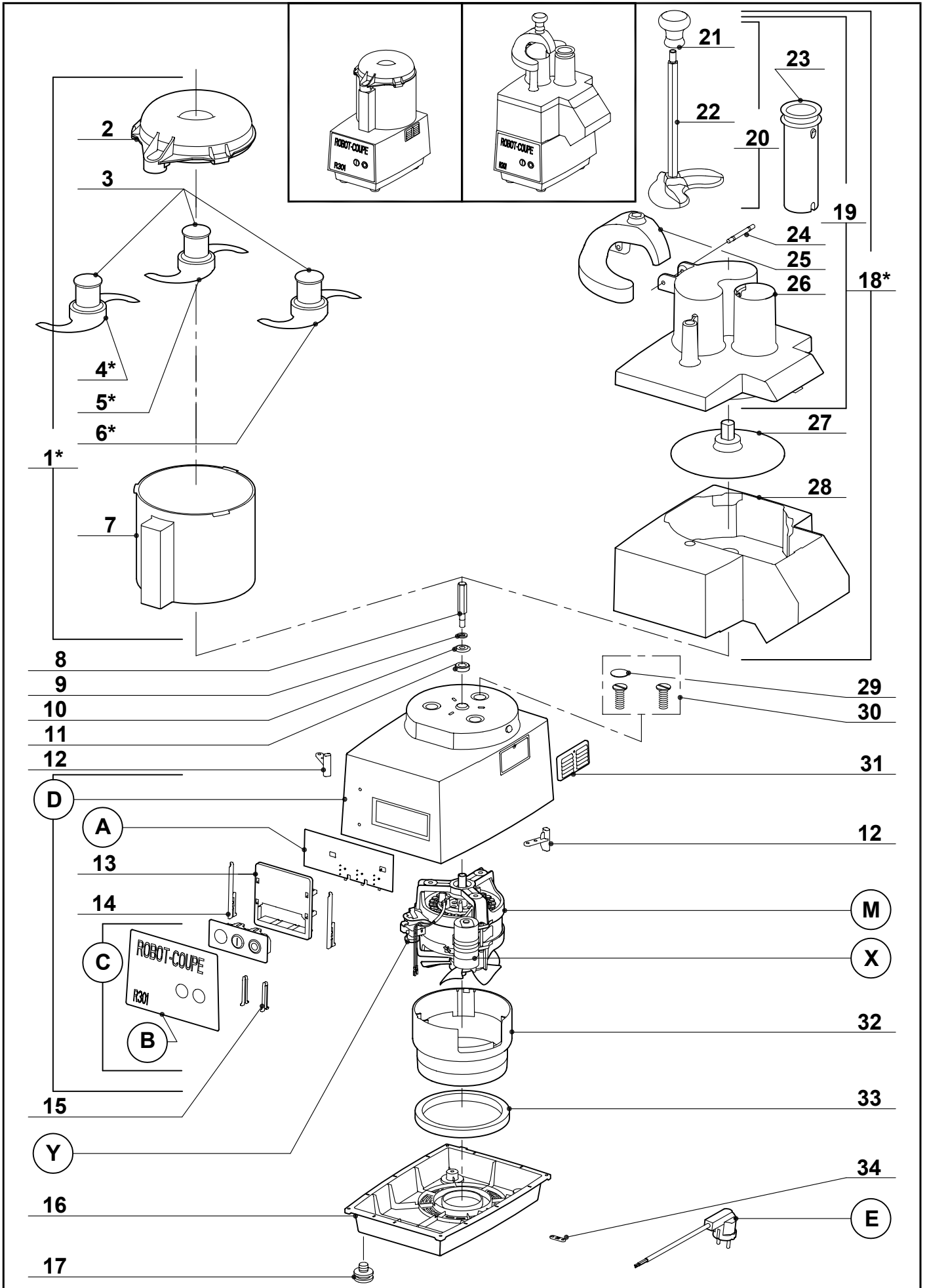
N°	M	Voltage	A	B	C	D	E	F	X	
22182 n° sé	3093 200,70	115 / 60 / 1	102300 83,55	405867 7,60	29427 64,65	29430 76,30	29378 17,15	507329 10,00	603669 10,55	
22183 n° sé	3091 212,15	220 / 60 / 1	102301 75,75	405867 7,60	29427 64,65	29430 76,30	29378 17,15	507322 10,00	603669 10,55	
2800 n° sé	3092 200,70	220 / 50 / 1	102301 75,75	405867 7,60	29427 64,65	29430 76,30	29378 17,15	507322 10,00	600018 12,30	
2801 n° sé	3092 200,70	220 / 50 / 1	102301 75,75	405867 7,60	29427 64,65	29430 76,30	29378 17,15	507322 10,00	600018 12,30	
2802 n° sé	3092 200,70	220 / 50 / 1	102301 75,75	405867 7,60	29427 64,65	29430 76,30	29378 17,15	507322 10,00	600018 12,30	
2804 n° sé	3093 200,70	115 / 60 / 1	102300 83,55	405867 7,60	29427 64,65	29430 76,30	29378 17,15	507329 10,00	603669 10,55	
2805 n° sé	3091 212,15	220 / 60 / 1	102301 75,75	405867 7,60	29427 64,65	29430 76,30	29378 17,15	507322 10,00	603669 10,55	

**robot coupe®**

**R 301 B**

**Pricelist in : EUR**

N°	M	Voltage	Y	
22182 n° sé	3093 200,70	115 / 60 / 1	500296 13,10	
22183 n° sé	3091 212,15	220 / 60 / 1	500289 13,10	
2800 n° sé	3092 200,70	220 / 50 / 1	500289 13,10	
2801 n° sé	3092 200,70	220 / 50 / 1	500289 13,10	
2802 n° sé	3092 200,70	220 / 50 / 1	500289 13,10	
2804 n° sé	3093 200,70	115 / 60 / 1	500296 13,10	
2805 n° sé	3091 212,15	220 / 60 / 1	500289 13,10	

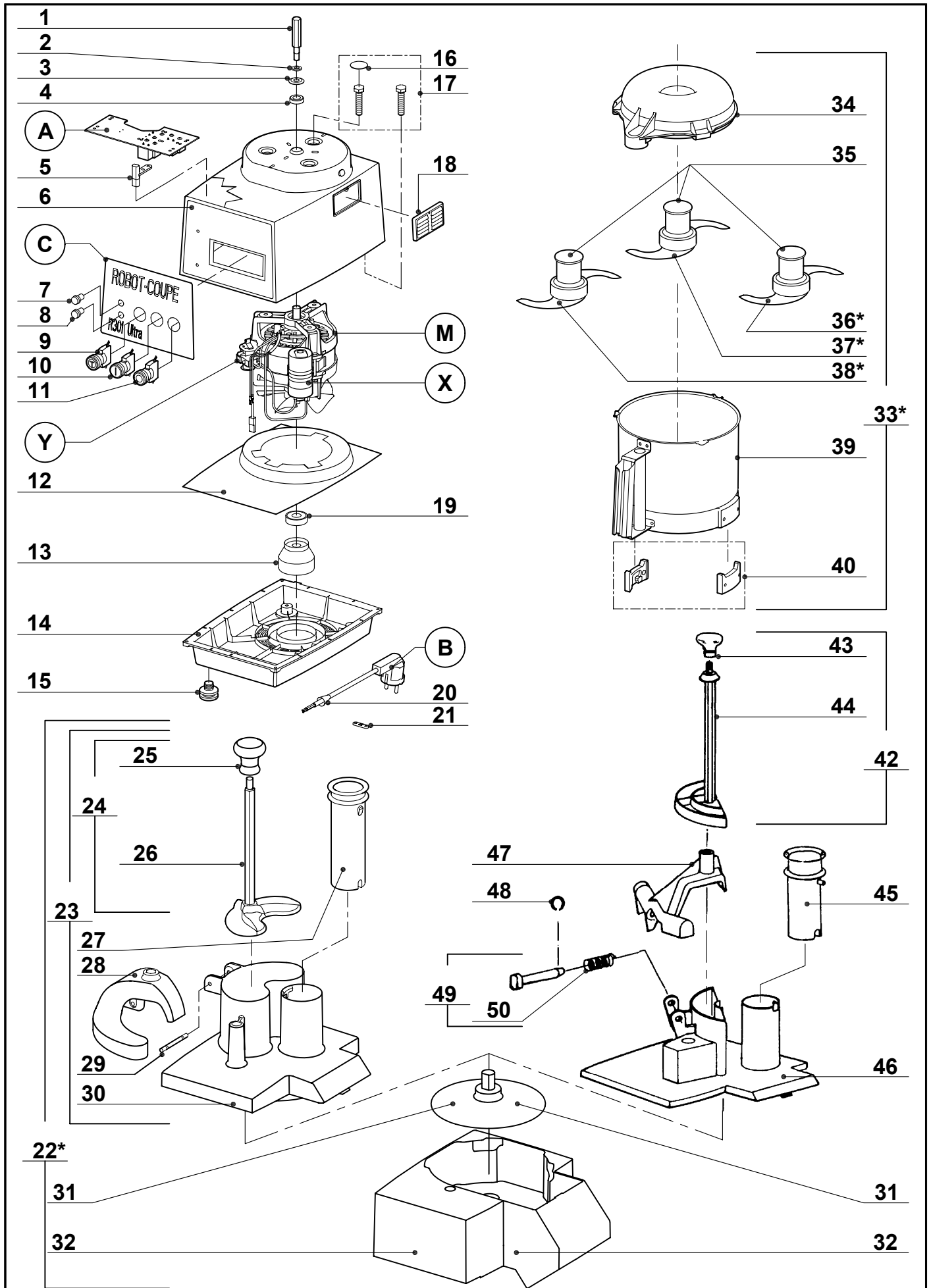


- (A)** R300 C 120V/60/1 PRINTED CIRCUIT BOARD
- (B)** FRONT PLATE
- (C)** R301 (C) SWITCH ASS + NAME PLATE
- (D)** MOTOR SUPPORT ASSEMBLY
- (E)** (C) Power Cord R300,R301U Series C
- (M)** MOTOR
- (X)** CAPACITOR
- (Y)** MOTOR RELAY

INDEX	REF.	DESIGNATION	Pricelist in : EUR
1	37060	R301 BOWL CUTTER ATTACHMENT	See Price list
2	39380	R301 LID-CUTTING	74,80
3	117058	R301 BLADE CAP	0,65
4	27065	R301 COARSE SERRATED BLADE	See Price list
5	27135	R301 FINE SERRATED BLADE	See Price list
6	38150	R301 CUTTING BLADE METAL SHAFT	See Price list
7	39370	R301 BOWL-CUTTING	125,20
8	100082	R301U DRIVE SHAFT	13,80
9	100096	(C) Spacer R300,R301U Series C	1,05
10	100084	R301U DRIVE SHAFT COLLAR	1,65
11	500467	R301 MOTOR SEAL 12x22x4.5	1,30
12	29441	R301 ULTRA B REED SWITCH ASS	10,45
13	102911	R301U (C) PCB SUPPORT	3,30
14	117703	R301U (C) PCB KEY	0,55
15	102913	R401 PANEL KEY	0,80
16	29378	R301B BOTTOM CASE	17,15
17	101082	R201 RUBBER FOOT	1,05
18	27213	STICK BLENDER PAN SUPPORT 330-650mm	See Price list
19	29922	Veg Lid Assembly	130,75
20	29880	R301C Large Pusher Assy	44,60
21	102021	CL50A PUSHER KNOB SPACER	4,85
22	103703	R301C LARGE PUSHER	41,15
23	118324	CL52D ROUND PUSHER	6,50
24	103540	R301C LARGE PUSHER PIVOT PIN ASSY	13,30
25	29921	R301U (C) PUSHER GUIDE	35,55
26	103534	R301C VEG'PREP LID	48,30
27	100954	R301U SLING PLATE	12,40
28	103728	R301U VEGETABLE BOWL	143,75
29	101754	BLIXER 3 BOLT COVER	0,60
30	29298	MOT SUP SCREWS ASS B	5,75
31	125290	R301 VENT COVER	2,55
32	117266	R301U B FAN SHIELD	8,60
33	101099	R201 SHOCK ABSORBER	8,90
34	108515	POWER CORD CLIP	0,15



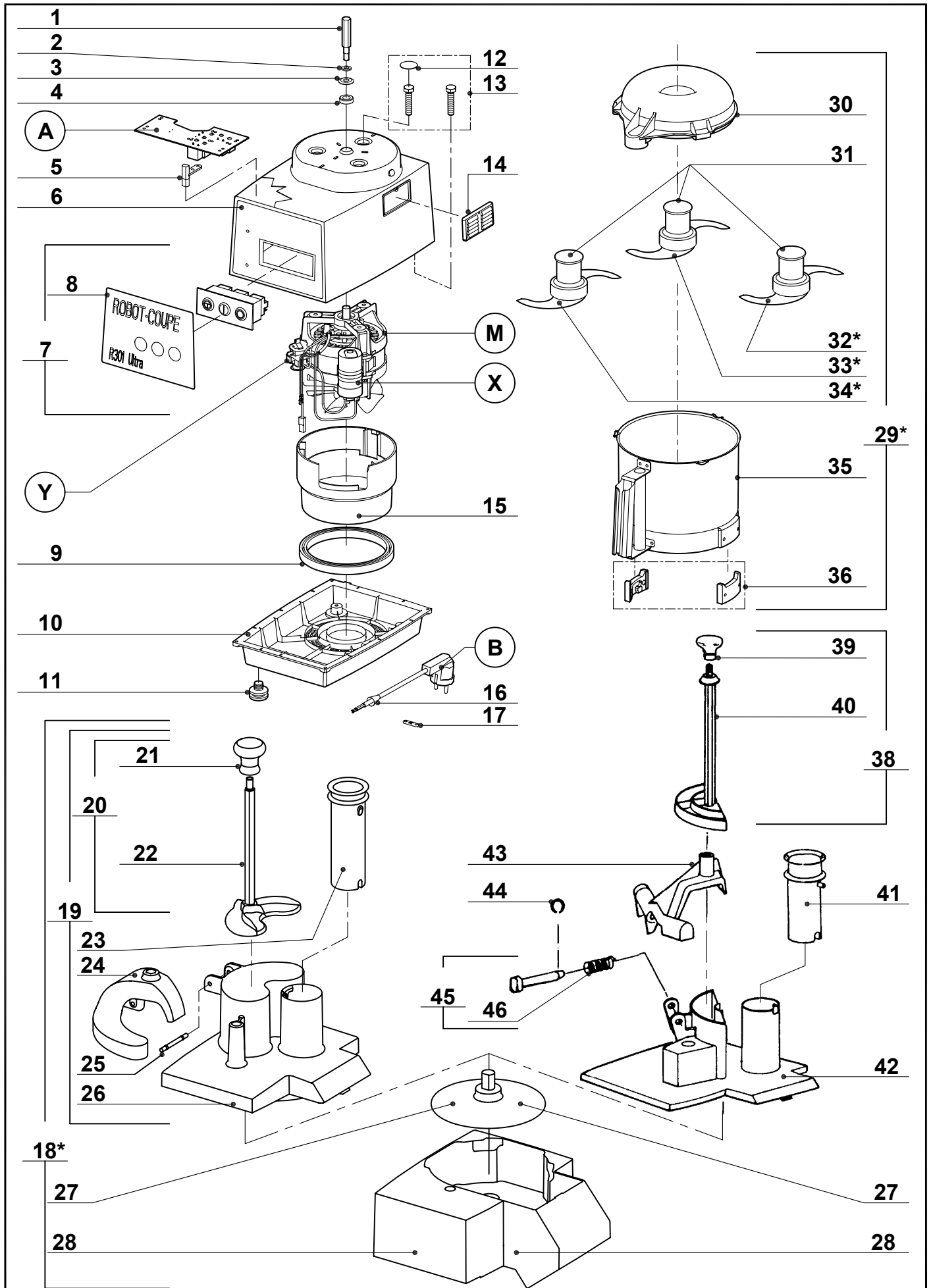
N°	M	Voltage	A	B	C	D	E	X	Y	
22271 n° sé	3093 200,70	115 / 60 / 1	103680 81,75	405867 7,60	29930 35,05	29430 76,30	503477 10,50	603669 10,55	500296 13,10	
22272 n° sé	3092 200,70	230 / 50 / 1	103681 81,75	405867 7,60	29930 35,05	29430 76,30	503473 10,00	600018 12,30	500289 13,10	
22277 n° sé	3091 212,15	220 / 60 / 1	103681 81,75	405867 7,60	29930 35,05	29430 76,30	503473 10,00	603669 10,55	500289 13,10	
2629 n° sé	3093 200,70	115 / 60 / 1	103680 81,75	405867 7,60	29930 35,05	29430 76,30	503477 10,50	603669 10,55	500296 13,10	
2632 n° sé	3092 200,70	230 / 50 / 1	103681 81,75	405867 7,60	29930 35,05	29430 76,30	503473 10,00	600018 12,30	500289 13,10	
2633 n° sé	3092 200,70	230 / 50 / 1	103681 81,75	405867 7,60	29930 35,05	29430 76,30	503473 10,00	600018 12,30	500289 13,10	
2634 n° sé	3092 200,70	230 / 50 / 1	103681 81,75	405867 7,60	29930 35,05	29430 76,30	503473 10,00	600018 12,30	500289 13,10	
2641 n° sé	3091 212,15	220 / 60 / 1	103681 81,75	405867 7,60	29930 35,05	29430 76,30	503473 10,00	603669 10,55	500289 13,10	



- (A)** R301U PCB
- (B)** POWER CORD
- (C)** R301U NAME PLATE
- (M)** MOTOR
- (X)** CAPACITOR
- (Y)** MOTOR RELAY

INDEX	REF.	DESIGNATION	Pricelist in : EUR
1	100082	R301U DRIVE SHAFT	13,80
2	100096	(C) Spacer R300,R301U Series C	1,05
3	100084	R301U DRIVE SHAFT COLLAR	1,65
4	500467	R301 MOTOR SEAL 12x22x4.5	1,30
5	39358	R301U REED SW/SOCKET ASSEMBLY	4,55
6	29096	R301U TOP CASING ASSEMBLY	76,30
7	500323	R301U INDICATOR-CLEAR	6,45
8	500324	R301U INDICATOR-GREEN	7,10
9	500322	GREEN KNOB	32,90
10	500321	RED KNOB	32,90
11	500301	BLACK KNOB	31,85
12	125136	R301 MOTOR DEFLECTOR	8,60
13	127578	R301 MOTOR STABILISER CONE	3,50
14	29243	R301 BOTTOM CASING	17,15
15	101082	R201 RUBBER FOOT	1,05
16	100095	R301U BOLT COVER	0,60
17	29083	R301U MOTOR SUPPORT SCREW SET	5,75
18	125290	R301 VENT COVER	2,55
19	130141	R301 STABILIZER RUBBER	1,70
20	508706	R301 CABLE GROMMET	1,80
21	108515	POWER CORD CLIP	0,15
22	27213	STICK BLENDER PAN SUPPORT 330-650mm	See Price list
23	29922	Veg Lid Assembly	130,75
24	29880	R301C Large Pusher Assy	44,60
25	102021	CL50A PUSHER KNOB SPACER	4,85
26	103703	R301C LARGE PUSHER	41,15
27	118324	CL52D ROUND PUSHER	6,50
28	29921	R301U (C) PUSHER GUIDE	35,55
29	103540	R301C LARGE PUSHER PIVOT PIN ASSY	13,30
30	103534	R301C VEG'PREP LID	48,30
31	100954	R301U SLING PLATE	12,40
32	100951	VEGETABLE SLICER BOWL	144,10
33	27014	R301U BOWL CUTTER ATTACHMENT	See Price list
34	39380	R301 LID-CUTTING	74,80
35	117058	R301 BLADE CAP	0,65
36	38150	R301 CUTTING BLADE METAL SHAFT	See Price list
37	27065	R301 COARSE SERRATED BLADE	See Price list
38	27135	R301 FINE SERRATED BLADE	See Price list
39	29149	R301U BOWL-STAINLESS STEEL	249,95
40	29081	R301U LOCK PLATE & SCREWS	12,40
42	29157	R301U PUSHER PLATE ASSEMBLY	44,65
43	102021	CL50A PUSHER KNOB SPACER	4,85
44	100740	KNOB WASHER	2,65
45	100953	R301U N VEGET.PUSHER (N)	41,70
46	100950	R301U VEGETABLE LID ONLY	48,40
47	100952	R301U PUSHER GUIDE	16,20
48	203011	R301U HINGE CLIP	1,10
49	100963	R301U HINGE	13,60
50	101054	PUSHER GUIDE SPRING	3,75

N°	M	Voltage	A	B	C	X	Y	
22000 n° sé	3041 200,70	220 / 50 / 1	39020 75,85	507322 10,00	400177 7,60	600018 12,30	500289 13,10	
22002 n° sé	3049 200,70	115 / 60 / 1	39021 75,85	507329 10,00	400177 7,60	603669 10,55	500296 13,10	
22010 n° sé	3062 212,25	220 / 60 / 1	39020 75,85	507322 10,00	400177 7,60	603669 10,55	500296 13,10	
2902 n° sé	3041 200,70	220 / 50 / 1	39020 75,85	507322 10,00	400177 7,60	600018 12,30	500289 13,10	
2903 n° sé	3041 200,70	220 / 50 / 1	39020 75,85	507322 10,00	400177 7,60	600018 12,30	500289 13,10	
2910 n° sé	3041 200,70	220 / 50 / 1	39020 75,85	507322 10,00	400177 7,60	600018 12,30	500289 13,10	
2912 n° sé	3049 200,70	115 / 60 / 1	39021 75,85	507329 10,00	400177 7,60	603669 10,55	500296 13,10	
2913 n° sé	3062 212,25	220 / 60 / 1	39020 75,85	507322 10,00	400177 7,60	603669 10,55	500296 13,10	



- (A)** CIRCUIT BOARD
- (B)** POWER CORD
- (M)** MOTOR
- (X)** CAPACITOR
- (Y)** MOTOR RELAY

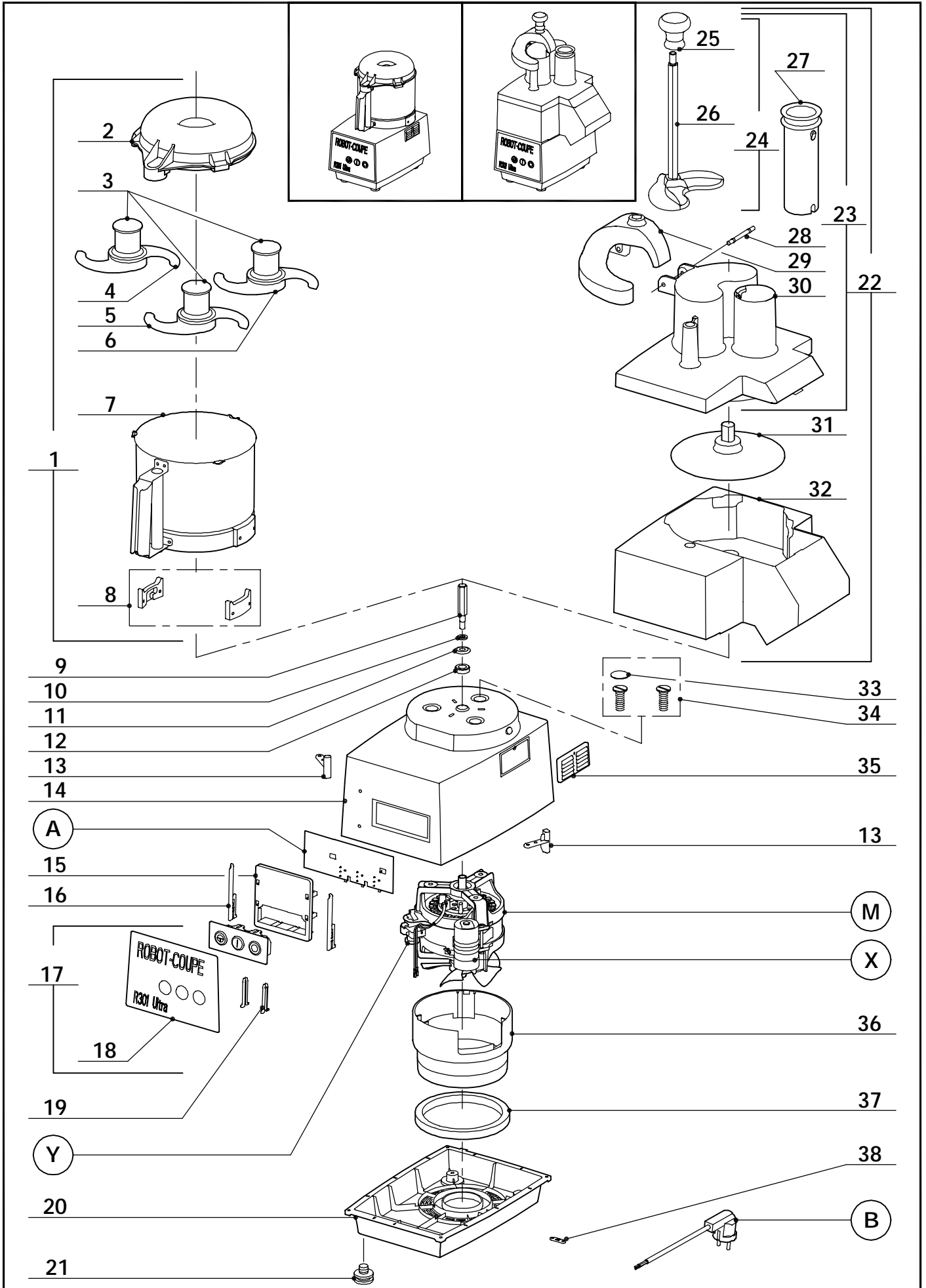
INDEX	REF.	DESIGNATION	Pricelist in : EUR
1	100082	R301U DRIVE SHAFT	13,80
2	100096	(C) Spacer R300,R301U Series C	1,05
3	100084	R301U DRIVE SHAFT COLLAR	1,65
4	500467	R301 MOTOR SEAL 12x22x4.5	1,30
5	29441	R301 ULTRA B REED SWITCH ASS	10,45
6	29433	R301 ULTRA B TOP CASING	76,30
7	29434	R301U B SWITCH ASSEMBLY	74,55
8	405859	R301 ULTRA B/C NAME PLATE	7,60
9	101099	R201 SHOCK ABSORBER	8,90
10	29243	R301 BOTTOM CASING	17,15
11	101082	R201 RUBBER FOOT	1,05
12	100095	R301U BOLT COVER	0,60
13	29083	R301U MOTOR SUPPORT SCREW SET	5,75
14	125290	R301 VENT COVER	2,55
15	117266	R301U B FAN SHIELD	8,60
16	508706	R301 CABLE GROMMET	1,80
17	108515	POWER CORD CLIP	0,15
18	27213	STICK BLENDER PAN SUPPORT 330-650mm	See Price list
19	29922	Veg Lid Assembly	130,75
20	29880	R301C Large Pusher Assy	44,60
21	102021	CL50A PUSHER KNOB SPACER	4,85
22	103703	R301C LARGE PUSHER	41,15
23	118324	CL52D ROUND PUSHER	6,50
24	29921	R301U (C) PUSHER GUIDE	35,55
25	103540	R301C LARGE PUSHER PIVOT PIN ASSY	13,30
26	103534	R301C VEG'PREP LID	48,30
27	100954	R301U SLING PLATE	12,40
28	100951	VEGETABLE SLICER BOWL	144,10
29	27014	R301U BOWL CUTTER ATTACHMENT	See Price list
30	39380	R301 LID-CUTTING	74,80
31	117058	R301 BLADE CAP	0,65
32	38150	R301 CUTTING BLADE METAL SHAFT	See Price list
33	27065	R301 COARSE SERRATED BLADE	See Price list
34	27135	R301 FINE SERRATED BLADE	See Price list
35	29149	R301U BOWL-STAINLESS STEEL	249,95
36	29081	R301U LOCK PLATE & SCREWS	12,40
38	29157	R301U PUSHER PLATE ASSEMBLY	44,65
39	102021	CL50A PUSHER KNOB SPACER	4,85
40	100953	R301U N VEGET.PUSHER (N)	41,70
41	118324	CL52D ROUND PUSHER	6,50
42	100950	R301U VEGETABLE LID ONLY	48,40
43	100952	R301U PUSHER GUIDE	16,20
44	203011	R301U HINGE CLIP	1,10
45	100963	R301U HINGE	13,60
46	101054	PUSHER GUIDE SPRING	3,75

robot coupe®

R 301 Ultra B

Pricelist in : EUR

N°	M	Voltage	A	B	X	Y	
22192	3092 200,70	220 / 50 / 1	102303 75,75	507322 10,00	600018 12,30	500289 13,10	
22194	3093 200,70	115 / 60 / 1	102302 62,30	507329 10,00	603669 10,55	500296 13,10	
22195	3091 212,15	220 / 60 / 1	102303 75,75	507322 10,00	603669 10,55	500289 13,10	
2808	3092 200,70	220 / 50 / 1	102303 75,75	507322 10,00	600018 12,30	500289 13,10	
2809	3092 200,70	220 / 50 / 1	102303 75,75	507322 10,00	600018 12,30	500289 13,10	
2810	3092 200,70	220 / 50 / 1	102303 75,75	507322 10,00	600018 12,30	500289 13,10	
2812	3093 200,70	115 / 60 / 1	102302 62,30	507329 10,00	603669 10,55	500296 13,10	
2813	3091 212,15	220 / 60 / 1	102303 75,75	507322 10,00	603669 10,55	500289 13,10	



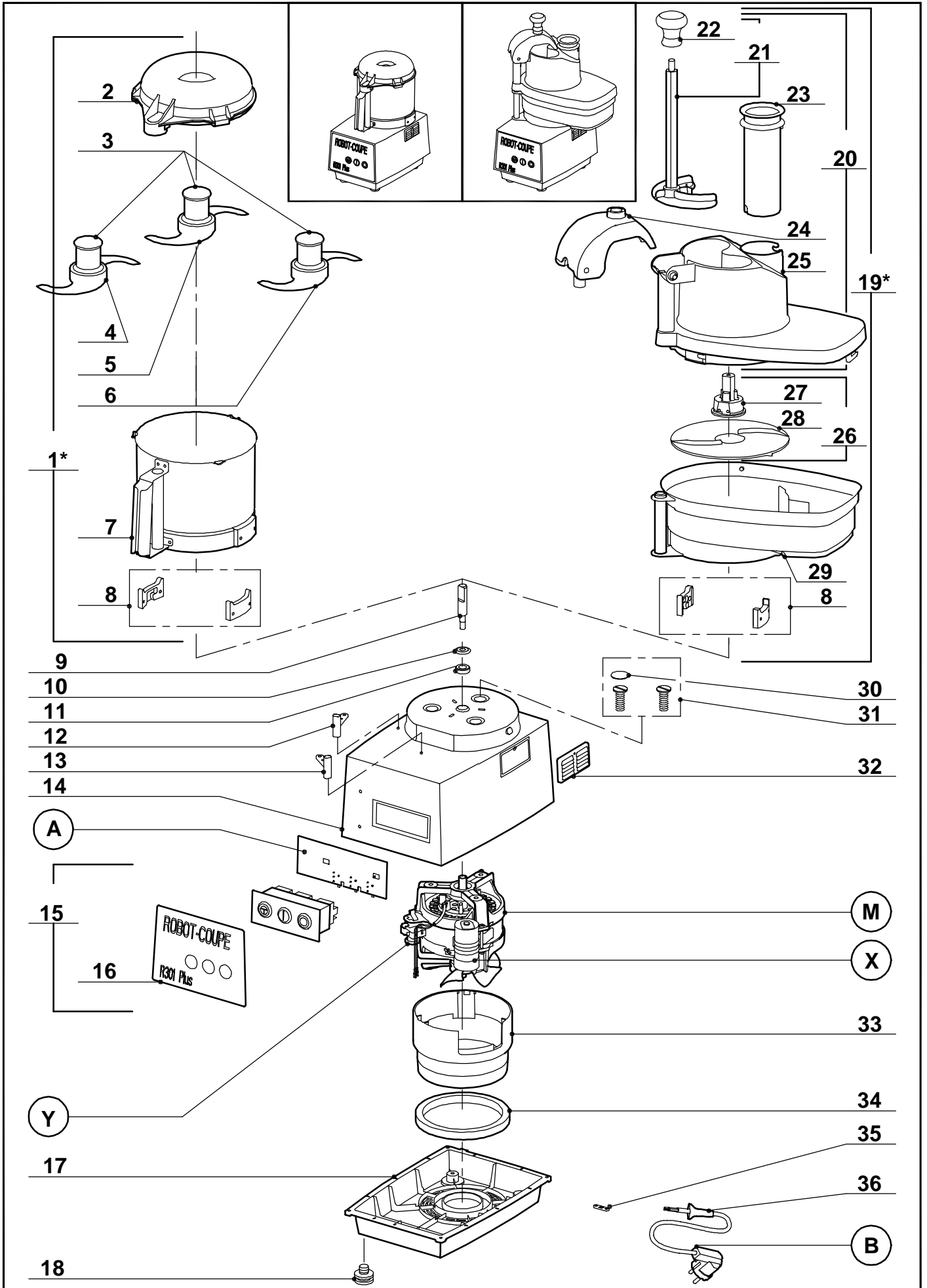


- (A)** R301U (C) PCB
- (B)** (C) Power Cord R300,R301U Series C
- (M)** MOTOR
- (X)** CAPACITOR
- (Y)** MOTOR RELAY

INDEX	REF.	DESIGNATION	Pricelist in : EUR
1	27014	R301U BOWL CUTTER ATTACHMENT	See Price list
2	39380	R301 LID-CUTTING	74,80
3	117058	R301 BLADE CAP	0,65
4	27065	R301 COARSE SERRATED BLADE	See Price list
5	27135	R301 FINE SERRATED BLADE	See Price list
6	38150	R301 CUTTING BLADE METAL SHAFT	See Price list
7	29149	R301U BOWL-STAINLESS STEEL	249,95
8	29081	R301U LOCK PLATE & SCREWS	12,40
9	100082	R301U DRIVE SHAFT	13,80
10	100096	(C) Spacer R300,R301U Series C	1,05
11	100084	R301U DRIVE SHAFT COLLAR	1,65
12	500467	R301 MOTOR SEAL 12x22x4.5	1,30
13	29441	R301 ULTRA B REED SWITCH ASS	10,45
14	29433	R301 ULTRA B TOP CASING	76,30
15	102911	R301U (C) PCB SUPPORT	3,30
16	117703	R301U (C) PCB KEY	0,55
17	29933	R301 ULTRA (C) SWITCH ASS + NAME PLATE	37,75
18	405859	R301 ULTRA B/C NAME PLATE	7,60
19	102913	R401 PANEL KEY	0,80
20	29243	R301 BOTTOM CASING	17,15
21	101082	R201 RUBBER FOOT	1,05
22	27213	STICK BLENDER PAN SUPPORT 330-650mm	See Price list
23	29922	Veg Lid Assembly	130,75
24	29880	R301C Large Pusher Assy	44,60
25	102021	CL50A PUSHER KNOB SPACER	4,85
26	103703	R301C LARGE PUSHER	41,15
27	118324	CL52D ROUND PUSHER	6,50
28	103540	R301C LARGE PUSHER PIVOT PIN ASSY	13,30
29	29921	R301U (C) PUSHER GUIDE	35,55
30	103534	R301C VEG'PREP LID	48,30
31	100954	R301U SLING PLATE	12,40
32	103728	R301U VEGETABLE BOWL	143,75
33	100095	R301U BOLT COVER	0,60
34	29083	R301U MOTOR SUPPORT SCREW SET	5,75
35	125290	R301 VENT COVER	2,55
36	117266	R301U B FAN SHIELD	8,60
37	101099	R201 SHOCK ABSORBER	8,90
38	108515	POWER CORD CLIP	0,15

N°	M	Voltage	A	B	X	Y	
22279	3093 200,70	115 / 60 / 1	103682 75,55	503477 10,50	603669 10,55	500296 13,10	
22281	3092 200,70	230 / 50 / 1	103683 75,55	503473 10,00	600018 12,30	500289 13,10	
22285	3091 212,15	220 / 60 / 1	103683 75,55	503473 10,00	603669 10,55	500289 13,10	
2642	3093 200,70	115 / 60 / 1	103682 75,55	503477 10,50	603669 10,55	500296 13,10	
2645 + 4 D	3092 200,70	230 / 50 / 1	103683 75,55	503473 10,00	600018 12,30	500289 13,10	
2646 cutte	3092 200,70	230 / 50 / 1	103683 75,55	503473 10,00	600018 12,30	500289 13,10	
2647 sans	3092 200,70	230 / 50 / 1	103683 75,55	503473 10,00	600018 12,30	500289 13,10	
2654	3091 212,15	220 / 60 / 1	103683 75,55	503473 10,00	603669 10,55	500289 13,10	

# R 301 Plus



- (A)** CIRCUIT BOARD
- (B)** POWER CORD
- (M)** MOTOR
- (X)** CAPACITOR
- (Y)**

INDEX	REF.	DESIGNATION	Pricelist in : EUR
1	27109	R302 PLUS BOWL CUTTER ATTACHMENT	See Price list
2	39380	R301 LID-CUTTING	74,80
3	117059	R302 BLADE CAP	0,65
4	27111	R302 COARSE SERRATED BLADE	See Price list
5	27134	R302 FINE SERRATED BLADE	See Price list
6	27110	R302 FLAT BLADE	See Price list
7	29149	R301U BOWL-STAINLESS STEEL	249,95
8	29081	R301U LOCK PLATE & SCREWS	12,40
9	117162	DRIVE AXEL CL25	13,80
10	100084	R301U DRIVE SHAFT COLLAR	1,65
11	500467	R301 MOTOR SEAL 12x22x4.5	1,30
12	29379	R3 PLUS REED SWITCH ASSEMBLY	13,75
13	29441	R301 ULTRA B REED SWITCH ASS	10,45
14	29520	SUPPORT MOT ASS R301 PLUS	Contact us
15	29521	SWITCH PANNEL ASSEMBLY	74,55
16	406101	FRONT PLATE	7,60
17	29378	R301B BOTTOM CASE	17,15
18	101082	R201 RUBBER FOOT	1,05
19	27112	R302 VEGETABLE ATTACHMENT	See Price list
20	117079	R302 VEGETABLE LID ASSEMBLY	136,80
21	29324	R302 PUSHER PLATE ASSEMBLY	44,65
22	102021	CL50A PUSHER KNOB SPACER	4,85
23	102022	R302 ROUND PUSHER	7,70
24	102020	R302 PUSHER GUIDE	18,50
25	102016	R302 VEGETABLE LID ONLY	60,80
26	102019	R302 SLING PLATE	12,15
27	117091	R401 SLING PLATE HUB	6,75
28	117092	R401 REVERSIBLE SLING PLATE	5,70
29	102003	R302 VEGETABLE BOWL	249,65
30	101754	BLIXER 3 BOLT COVER	0,60
31	29377	SCREW ASSEMBLY	5,75
32	125290	R301 VENT COVER	2,55
33	117266	R301U B FAN SHIELD	8,60
34	101099	R201 SHOCK ABSORBER	8,90
35	108515	POWER CORD CLIP	0,15
36	508706	R301 CABLE GROMMET	1,80

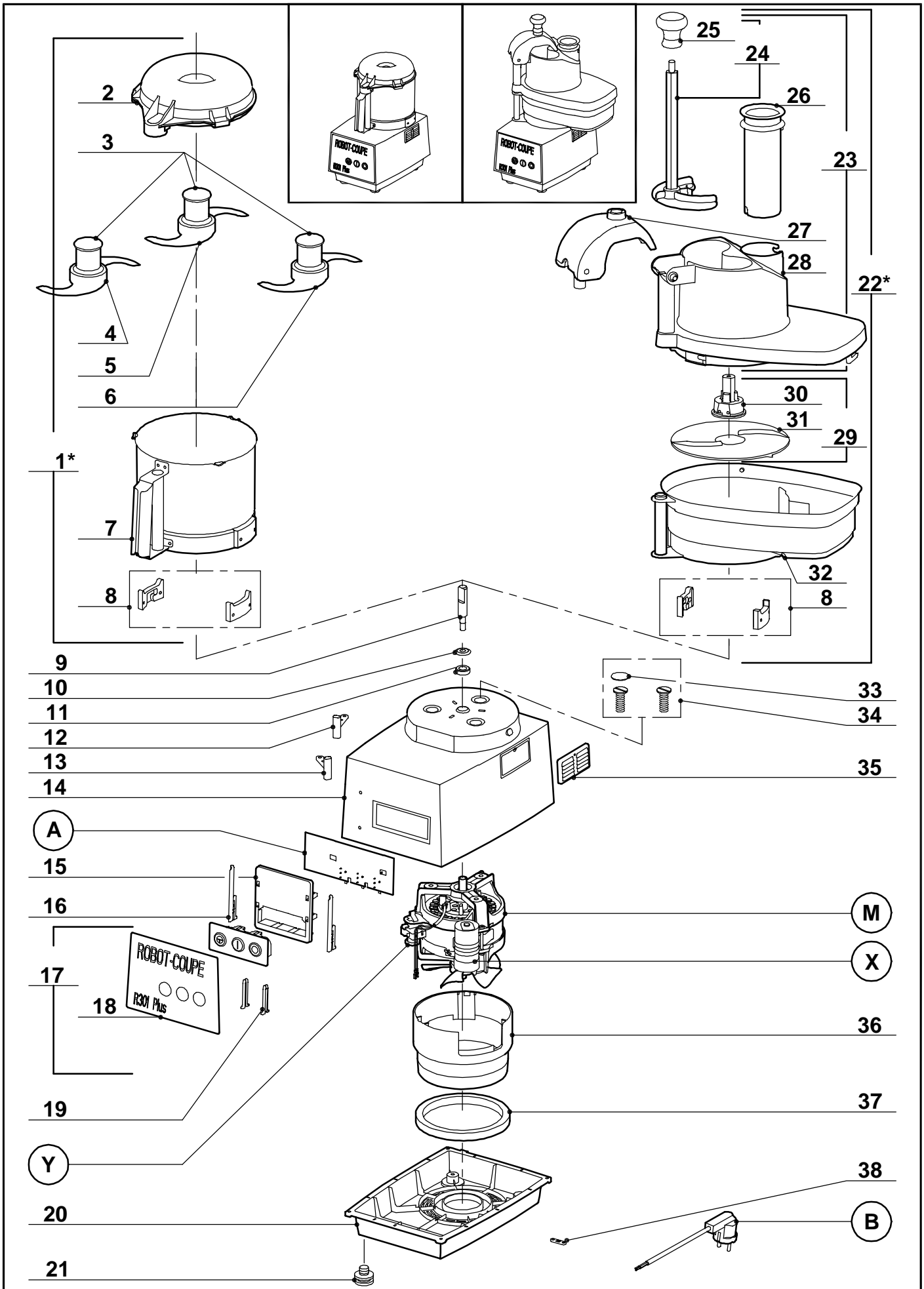
**robot coupe®**

**R 301 Plus**

**Pricelist in : EUR**

N°	M	Voltage	A	B	X	Y	
22090 n° sé	3080 200,70	220 / 50 / 1	102303 75,75	507322 10,00	600018 12,30	500289 13,10	
22092 n° sé	3081 200,70	115 / 60 / 1	102302 62,30	507329 10,00	603669 10,55	500296 13,10	
22093 n° sé	3082 212,25	220 / 60 / 1	102303 75,75	507322 10,00	603669 10,55	500289 13,10	
2817 n° sé	3080 200,70	220 / 50 / 1	102303 75,75	507322 10,00	600018 12,30	500289 13,10	
2819 n° sé	3081 200,70	115 / 60 / 1	102302 62,30	507329 10,00	603669 10,55	500296 13,10	
2820 n° sé	3082 212,25	220 / 60 / 1	102303 75,75	507322 10,00	603669 10,55	500289 13,10	

# R 301 C Plus



**robot coupe®**

**R 301 C Plus**

- Ⓐ R301U (C) PCB
- Ⓑ POWER CORD
- Ⓜ MOTOR
- ⓧ R301 CAPACITOR-60mF
- Ⓐ R301 RELAY-GRAVITY TYPE

INDEX	REF.	DESIGNATION	Pricelist in : EUR

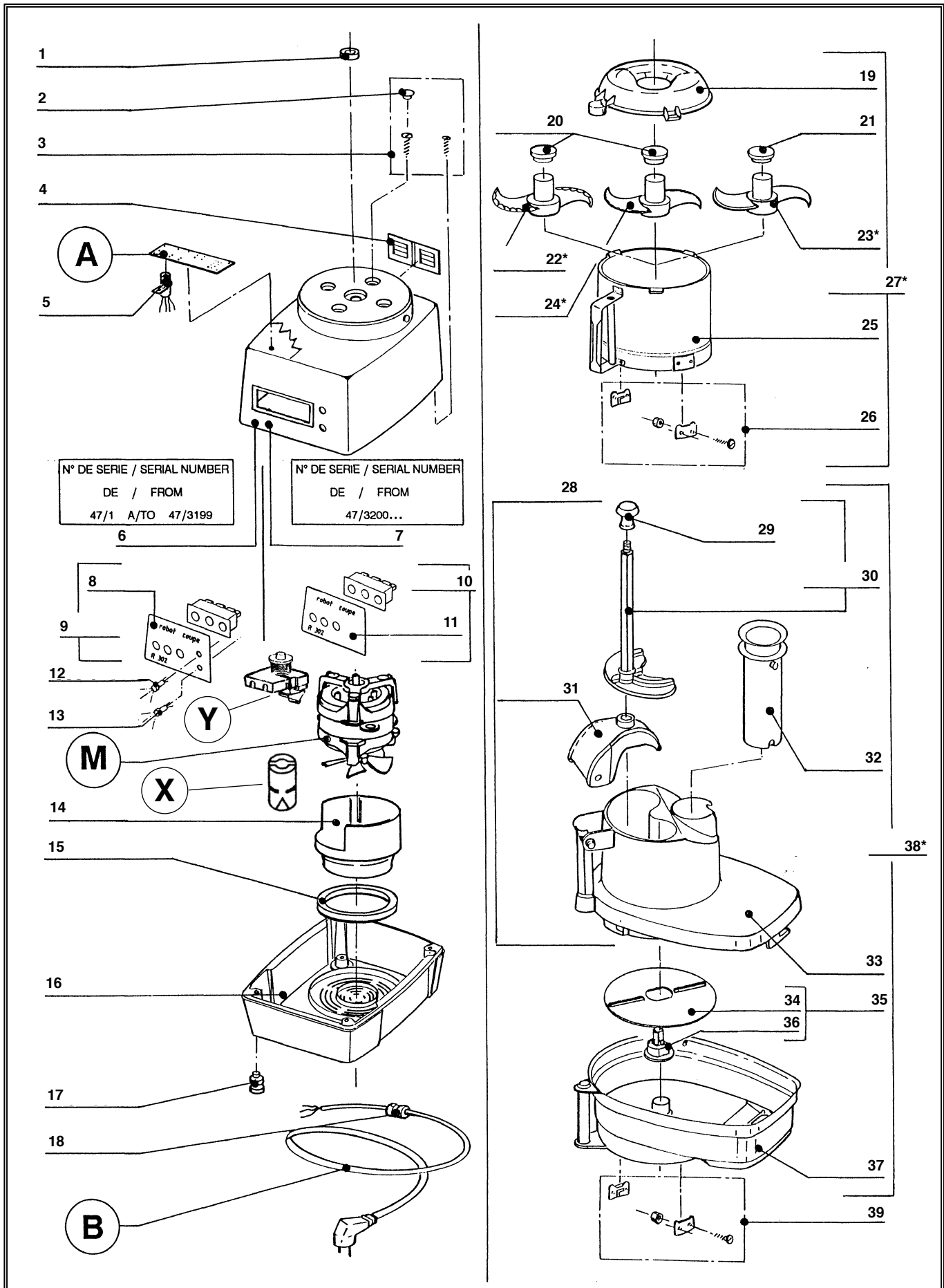


# R 301 C Plus

Pricelist in : EUR

N°	M	Voltage	A	B	X	Y	
22289	3081 200,70	115 / 60 / 1	103682 75,55	503477 10,50	603669 10,55	500296 13,10	
22290	3082 212,25	220 / 60 / 1	103683 75,55	503473 10,00	603669 10,55	500289 13,10	
22291	3080 200,70	230 / 50 / 1	103683 75,55	503473 10,00	600018 12,30	500289 13,10	
2656	3080 200,70	230 / 50 / 1	103683 75,55	503473 10,00	600018 12,30	500289 13,10	
2658	3081 200,70	115 / 60 / 1	103682 75,55	503477 10,50	603669 10,55	500296 13,10	
2659	3082 212,25	220 / 60 / 1	103683 75,55	503473 10,00	603669 10,55	500289 13,10	

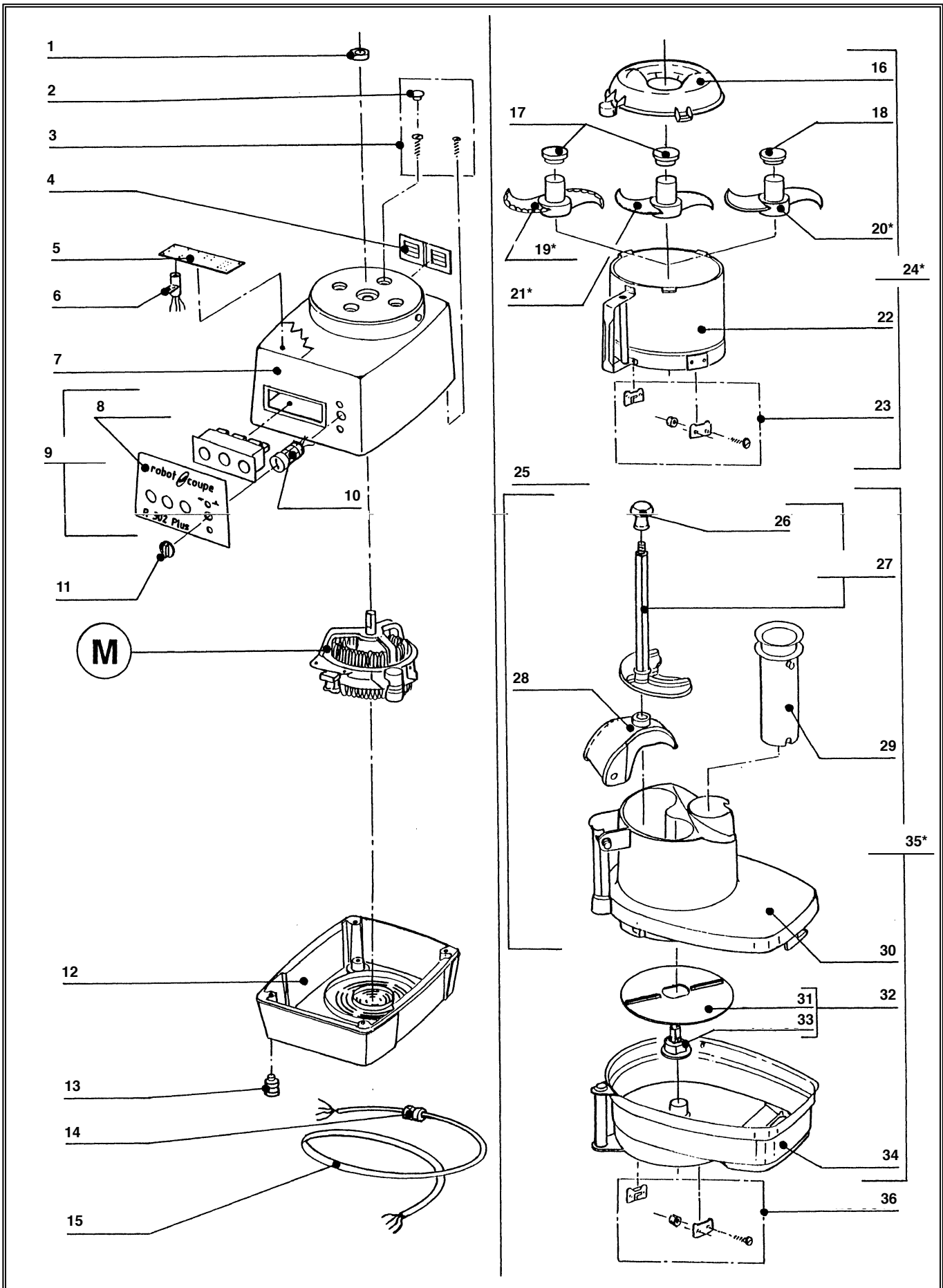




- (A)** CIRCUIT BOARD
- (B)** POWER CORD
- (M)** MOTOR
- (X)** CAPACITOR
- (Y)** MOTOR RELAY

INDEX	REF.	DESIGNATION	Pricelist in : EUR
1	501010	BLIXER 4 COUPLING SEAL 15X35X6	7,40
2	102037	SCREW CAP	0,60
3	29321	SCREW ASS	5,75
4	101098	VENT COVER	3,55
5	29357	MAGNETIC SWICTH ASSY	15,90
6	29322	R302 TOP CASING	184,55
7	29460	MOTOR SUPPORT ASS	184,55
8	401502	R302 NAME PLATE	7,60
9	29323	R302 SWITCH ASSEMBLY	74,55
10	29452	Switch ass	74,55
11	405922	R302 NAME PLATE (NO NEON)	7,60
12	500323	R301U INDICATOR-CLEAR	6,45
13	500324	R301U INDICATOR-GREEN	7,10
14	102049	R302 MOTOR FAN SHIELD	25,65
15	101099	R201 SHOCK ABSORBER	8,90
16	29335	R302 BOTTOM CASE	79,00
17	102031	FOOT	1,05
18	515515	CL60 CABLE GROMMET	3,45
19	39380	R301 LID-CUTTING	74,80
20	117059	R302 BLADE CAP	0,65
21	117059	R302 BLADE CAP	0,65
22	27111	R302 COARSE SERRATED BLADE	See Price list
23	27110	R302 FLAT BLADE	See Price list
24	27134	R302 FINE SERRATED BLADE	See Price list
25	29149	R301U BOWL-STAINLESS STEEL	249,95
26	29081	R301U LOCK PLATE & SCREWS	12,40
27	27109	R302 PLUS BOWL CUTTER ATTACHMENT	See Price list
28	117079	R302 VEGETABLE LID ASSEMBLY	136,80
29	102021	CL50A PUSHER KNOB SPACER	4,85
30	29324	R302 PUSHER PLATE ASSEMBLY	44,65
31	102020	R302 PUSHER GUIDE	18,50
32	102022	R302 ROUND PUSHER	7,70
33	102016	R302 VEGETABLE LID ONLY	60,80
34	117092	R401 REVERSIBLE SLING PLATE	5,70
35	102019	R302 SLING PLATE	12,15
36	117091	R401 SLING PLATE HUB	6,75
37	102003	R302 VEGETABLE BOWL	249,65
38	27112	R302 VEGETABLE ATTACHMENT	See Price list
39	29081	R301U LOCK PLATE & SCREWS	12,40

N°	M	Voltage	A	B	X	Y	
22070 n° sé	3074 200,70	220 / 50 / 1	102303 75,75	507322 10,00	600018 12,30	500289 13,10	
22071 n° sé	3076 200,70	115 / 60 / 1	102302 62,30	507329 10,00	603669 10,55	500296 13,10	
22074 n° sé	3075 212,25	220 / 60 / 1	102303 75,75	507322 10,00	603669 10,55	500296 13,10	
22075 USA_n	302010 <a href="#">Contact us</a>	115 / 60 / 1	102302 62,30	507329 10,00	---	---	
2932 n° sé	3074 200,70	220 / 50 / 1	102303 75,75	507322 10,00	600018 12,30	500289 13,10	
2933 n° sé	3076 200,70	115 / 60 / 1	102302 62,30	507329 10,00	603669 10,55	500296 13,10	
2935 n° sé	3075 212,25	220 / 60 / 1	102303 75,75	507322 10,00	603669 10,55	500296 13,10	
2937 USA_n	302010 <a href="#">Contact us</a>	115 / 60 / 1	102302 62,30	507329 10,00	---	---	





## MOTOR

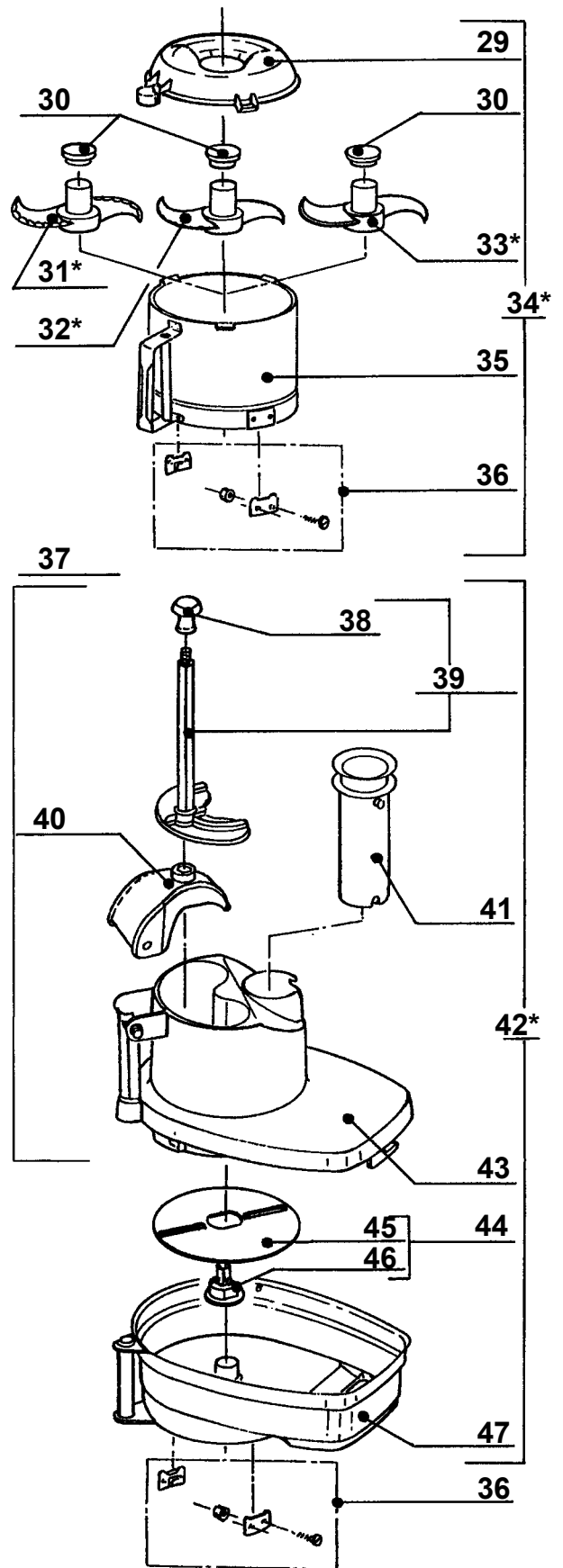
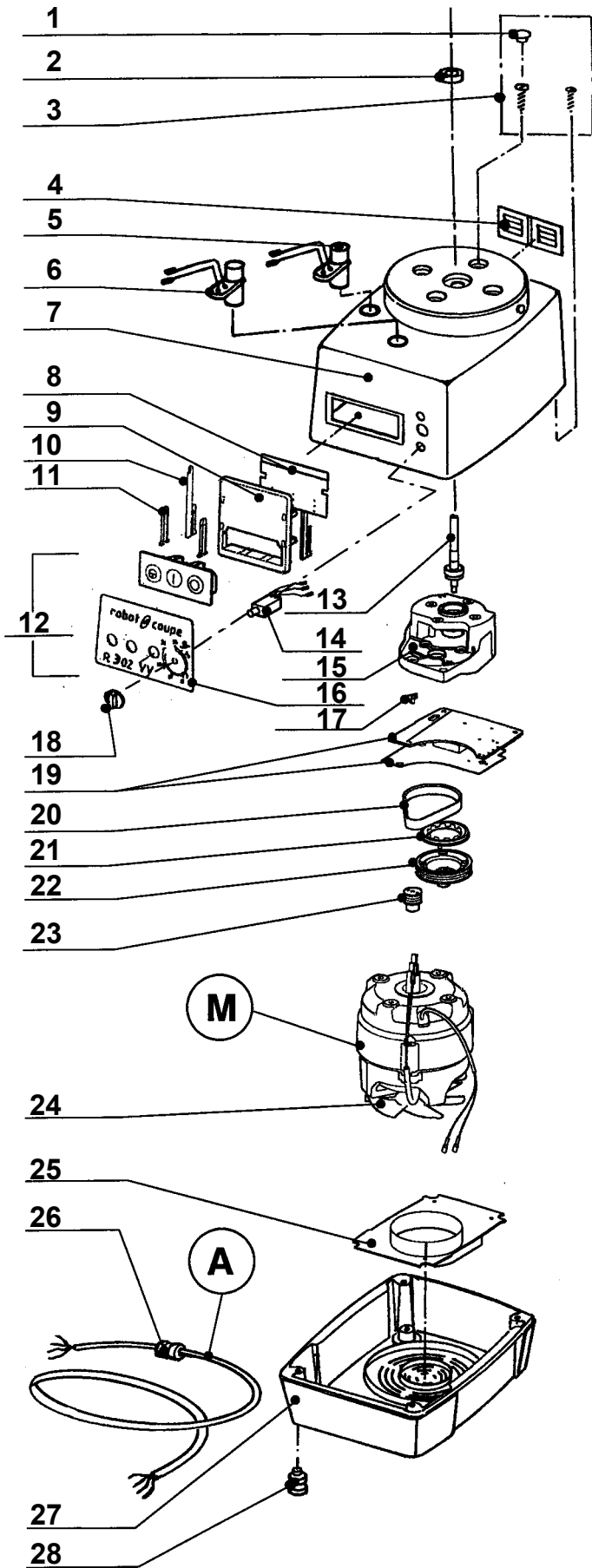
INDEX	REF.	DESIGNATION	Pricelist in : EUR
1	501010	BLIXER 4 COUPLING SEAL 15X35X6	7,40
2	102037	SCREW CAP	0,60
3	29321	SCREW ASS	5,75
4	101098	VENT COVER	3,55
5	102099	R602/502 PCB 415V	130,25
6	29380	R302 REED SWITCH SOCKET ASSEMBLY	13,75
7	29327	MOTOR SUPPORT ASS	184,55
8	401503	R302 PLUS NAME PLATE	7,60
9	29325	SWITCH ASS	74,55
10	501840	R501Ua SPEED SWITCH ASSEMBLY	56,45
11	117072	R302 PLUS/502 SPEED SWITCH HANDLE	7,70
12	29335	R302 BOTTOM CASE	79,00
13	102031	FOOT	1,05
14	515515	CL60 CABLE GROMMET	3,45
15	502067	POWER CORD	29,95
16	39380	R301 LID-CUTTING	74,80
17	117059	R302 BLADE CAP	0,65
18	117059	R302 BLADE CAP	0,65
19	27111	R302 COARSE SERRATED BLADE	See Price list
20	27110	R302 FLAT BLADE	See Price list
21	27134	R302 FINE SERRATED BLADE	See Price list
22	29149	R301U BOWL-STAINLESS STEEL	249,95
23	29081	R301U LOCK PLATE & SCREWS	12,40
24	27109	R302 PLUS BOWL CUTTER ATTACHMENT	See Price list
25	117079	R302 VEGETABLE LID ASSEMBLY	136,80
26	102021	CL50A PUSHER KNOB SPACER	4,85
27	29324	R302 PUSHER PLATE ASSEMBLY	44,65
28	102020	R302 PUSHER GUIDE	18,50
29	102022	R302 ROUND PUSHER	7,70
30	102016	R302 VEGETABLE LID ONLY	60,80
31	117092	R401 REVERSIBLE SLING PLATE	5,70
32	102019	R302 SLING PLATE	12,15
33	117091	R401 SLING PLATE HUB	6,75
34	102003	R302 VEGETABLE BOWL	249,65
35	27112	R302 VEGETABLE ATTACHMENT	See Price list
36	29081	R301U LOCK PLATE & SCREWS	12,40

**robot coupe®**

**R 302 Plus**

**Pricelist in : EUR**

N°	M	Voltage	
22079 n° sé	301081 316,65	220 / 50 / 3	
22080 n° sé	301081 316,65	380 / 50 / 3	
22082 n° sé	301081 316,65	220 / 60 / 3	
22083 n° sé	301081 316,65	380 / 60 / 3	
2938 n° sé	301081 316,65	380 / 60 / 3	
2939 n° sé	301081 316,65	220 / 50 / 3	
2940 n° sé	301081 316,65	380 / 50 / 3	
2942 n° sé	301081 316,65	220 / 60 / 3	



**(A)** 2P+EARTH 1,5 MM<sup>2</sup>POWER CORD

**(M)** MOTOR

INDEX	REF.	DESIGNATION	Pricelist in : EUR
1	102037	SCREW CAP	0,60
2	501010	BLIXER 4 COUPLING SEAL 15X35X6	7,40
3	29321	SCREW ASS	5,75
4	101098	VENT COVER	3,55
5	29356	R401 REED SWITCH VEG ATT	14,40
6	29451	CL50D REED SWITCH	13,75
7	29609	MOTOR SUPPORT ASS	184,50
8	102921	R302VV SWITCH CONTROL PCB	13,70
9	102911	R301U (C) PCB SUPPORT	3,30
10	117703	R301U (C) PCB KEY	0,55
11	102913	R401 PANEL KEY	0,80
12	29606	SWITCH ASS	74,50
13	29604	R402VV DRIVE SHAFT ASSEMBLY	80,25
14	29644	R302VV SPEED/REED SWITCH ASS	45,90
15	102910	TRANSMISSION SUPPORT HOLDER	21,00
16	406320	R302VV FRONT PLATE	7,60
17	102920	R402VV PCB SENSOR	17,90
18	117073	R602VV SWITCH HANDLE	7,70
19	102935	CL60 MAGNET ARM SUPPORT	463,90
20	503940	R402VV DRIVE BELT	37,35
21	102922	R402VV TOOTHED WHEEL	14,60
22	102923	R402VV LARGE PULLEY	44,05
23	102924	R402VV SMALL PULLEY	38,30
24	102934	R302VV MOTOR FAN	5,25
25	103157	R302 V.V. DEFLECTOR	8,60
26	515515	CL60 CABLE GROMMET	3,45
27	29335	R302 BOTTOM CASE	79,00
28	102031	FOOT	1,05
29	39380	R301 LID-CUTTING	74,80
30	117059	R302 BLADE CAP	0,65
31	27111	R302 COARSE SERRATED BLADE	See Price list
32	27134	R302 FINE SERRATED BLADE	See Price list
33	27110	R302 FLAT BLADE	See Price list
34	27109	R302 PLUS BOWL CUTTER ATTACHMENT	See Price list
35	29149	R301U BOWL-STAINLESS STEEL	249,95
36	29081	R301U LOCK PLATE & SCREWS	12,40
37	117079	R302 VEGETABLE LID ASSEMBLY	136,80
38	102021	CL50A PUSHER KNOB SPACER	4,85
39	29324	R302 PUSHER PLATE ASSEMBLY	44,65
40	102020	R302 PUSHER GUIDE	18,50
41	102022	R302 ROUND PUSHER	7,70
42	27112	R302 VEGETABLE ATTACHMENT	See Price list
43	102016	R302 VEGETABLE LID ONLY	60,80
44	102019	R302 SLING PLATE	12,15
45	117092	R401 REVERSIBLE SLING PLATE	5,70
46	117091	R401 SLING PLATE HUB	6,75
47	102003	R302 VEGETABLE BOWL	249,65

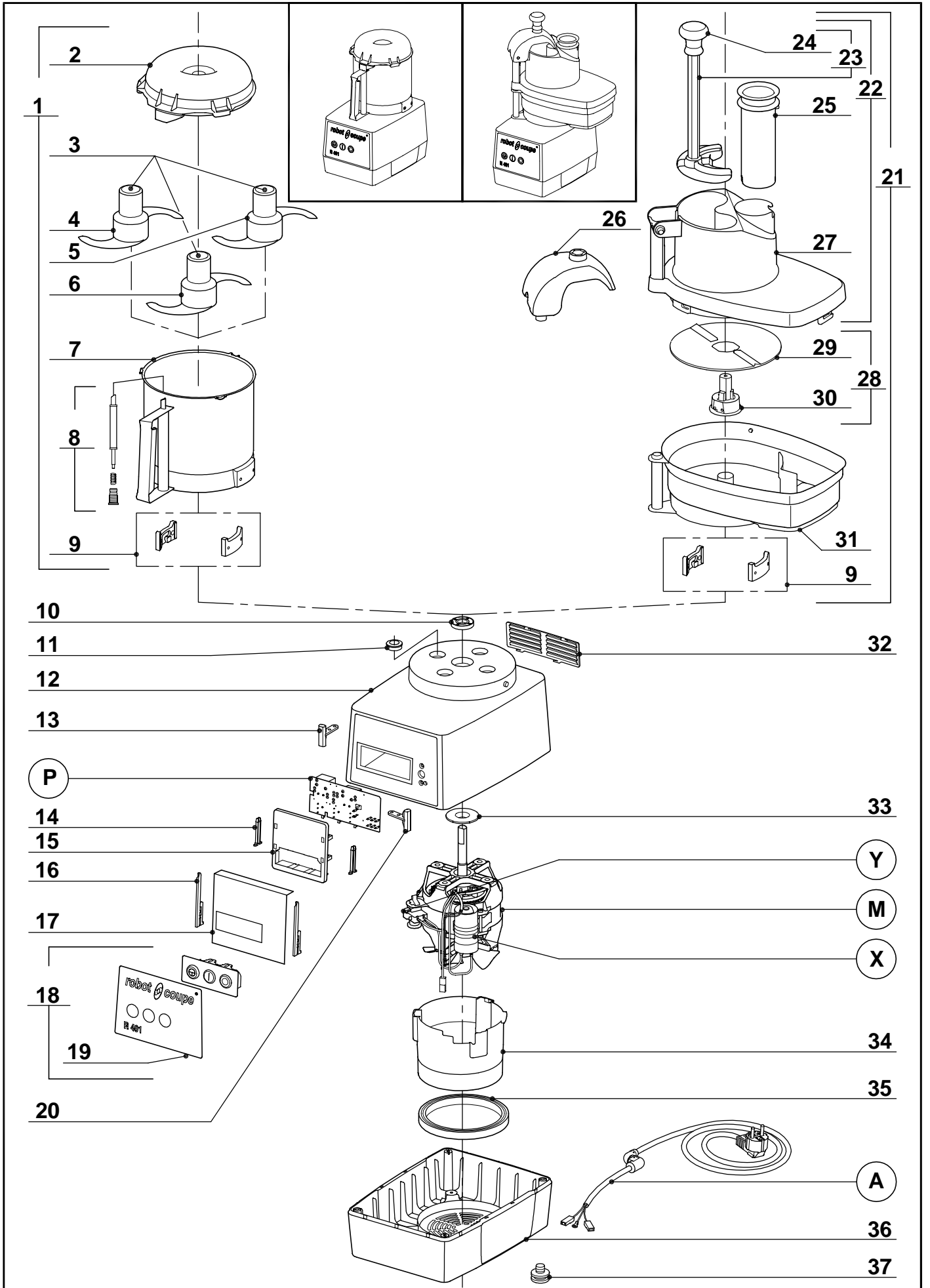


**robot coupe®**

**R 302 V.V.**

**Pricelist in : EUR**

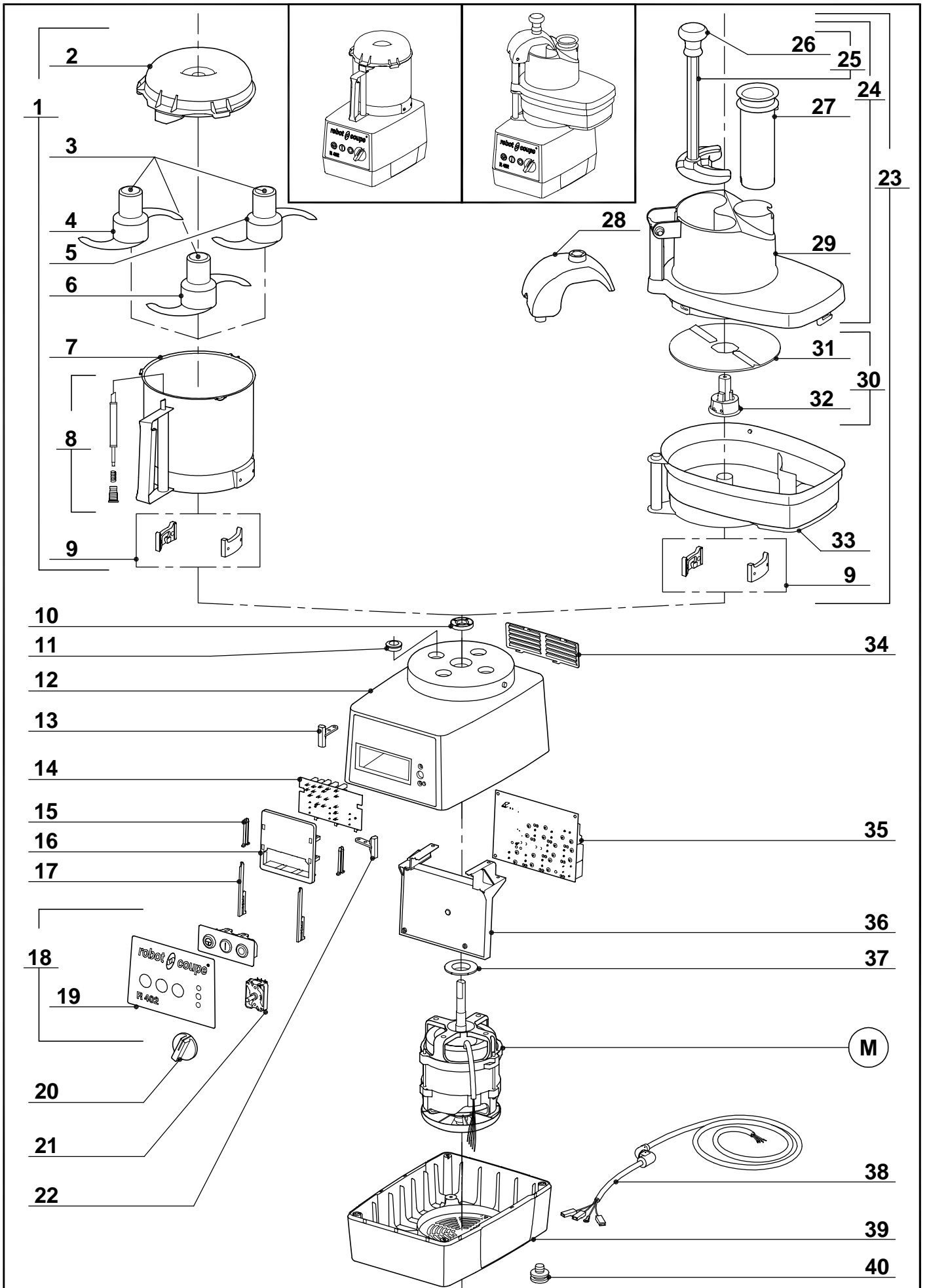
N°	M	Voltage	A	
22086	303076 375,75	230 / 50-60 / 1	503978 10,00	
2876	303076 375,75	230 / 50-60 / 1	503978 10,00	



- (A)** POWER CORD 2P+T AUST
- (M)** MOTOR
- (P)** R301UD PCB 120V
- (X)** CAPACITOR
- (Y)** MOTOR RELAY

INDEX	REF.	DESIGNATION	Pricelist in : EUR
1	27251	R401 BOWL CUTTER ATTACHMENT	See Price list
2	117395	R401 LID-CUTTING	60,65
3	104147	R401 BLADE CAP	0,65
4	27255	R401 SMOOTH BLADE	See Price list
5	27253	R401 COARSE SERRATED BLADE	See Price list
6	27254	R401 FINE SERRATED BLADE	See Price list
7	104085	R401 BOWL 4LT STAINLESS STEEL	240,25
8	39225	R401 SAFETY ROD ASSY	Contact us
9	29081	R301U LOCK PLATE & SCREWS	12,40
10	501010	BLIXER 4 COUPLING SEAL 15X35X6	7,40
11	104070	R401 BOLT COVER	0,60
12	39119	R401 TOP CASING	193,20
13	29356	R401 REED SWITCH VEG ATT	14,40
14	102913	R401 PANEL KEY	0,80
15	102911	R301U (C) PCB SUPPORT	3,30
16	117703	R301U (C) PCB KEY	0,55
17	104131	R401 PCB PROTECTOR	1,50
18	39118	R401 SWITCH ASS + NAME PLATE	78,00
19	407826	R401 NAME PLATE	7,90
20	29441	R301 ULTRA B REED SWITCH ASS	10,45
21	27252	R401 VEGETABLE ATTACHMENT	See Price list
22	117079	R302 VEGETABLE LID ASSEMBLY	136,80
23	29324	R302 PUSHER PLATE ASSEMBLY	44,65
24	102021	CL50A PUSHER KNOB SPACER	4,85
25	102022	R302 ROUND PUSHER	7,70
26	102020	R302 PUSHER GUIDE	18,50
27	102016	R302 VEGETABLE LID ONLY	60,80
28	102019	R302 SLING PLATE	12,15
29	117092	R401 REVERSIBLE SLING PLATE	5,70
30	117091	R401 SLING PLATE HUB	6,75
31	104076	R401 VEGETABLE BOWL	192,25
32	104122	R401 VENT COVER	3,75
33	104078	R401 MOTOR SHAFT WASHER	0,85
34	104110	R401 MOTOR FAN SHIELD	21,50
35	101099	R201 SHOCK ABSORBER	8,90
36	39201	R401 BOTTOM CASE	41,40
37	101082	R201 RUBBER FOOT	1,05

N°	M	Voltage	A	P	X	Y	
22321	3074 200,70	230 / 50 / 1	504274 10,50	103693 79,30	600018 12,30	500289 13,10	
22322	3076 200,70	120 / 60 / 1	504277 10,50	103692 79,30	603669 10,55	500296 13,10	
22325	3075 212,25	220 / 60 / 1	504274 10,50	103693 79,30	603669 10,55	500289 13,10	
2692 Cutte	3074 200,70	230 / 50 / 1	504274 10,50	103693 79,30	600018 12,30	500289 13,10	
2693 Cutte	3076 200,70	120 / 60 / 1	504277 10,50	103692 79,30	603669 10,55	500296 13,10	
2696 Cutte	3075 212,25	220 / 60 / 1	504274 10,50	103693 79,30	600018 12,30	500289 13,10	





R402 MOTOR 220/60/3

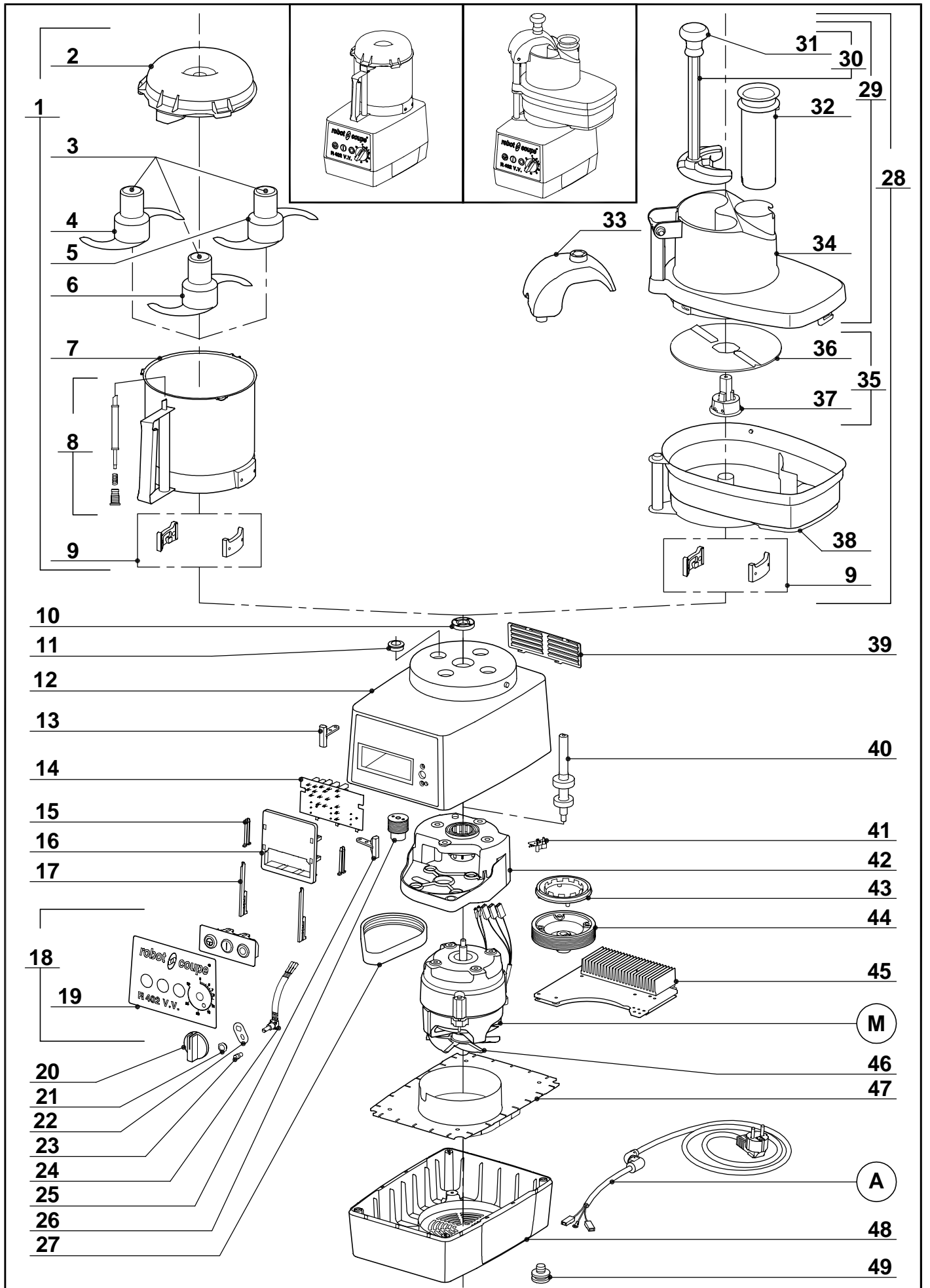
INDEX	REF.	DESIGNATION	Pricelist in : EUR
1	27251	R401 BOWL CUTTER ATTACHMENT	See Price list
2	117395	R401 LID-CUTTING	60,65
3	104147	R401 BLADE CAP	0,65
4	27255	R401 SMOOTH BLADE	See Price list
5	27253	R401 COARSE SERRATED BLADE	See Price list
6	27254	R401 FINE SERRATED BLADE	See Price list
7	104085	R401 BOWL 4LT STAINLESS STEEL	240,25
8	39225	R401 SAFETY ROD ASSY	Contact us
9	29081	R301U LOCK PLATE & SCREWS	12,40
10	501010	BLIXER 4 COUPLING SEAL 15X35X6	7,40
11	104070	R401 BOLT COVER	0,60
12	39194	R402 TOP CASE	193,20
13	29356	R401 REED SWITCH VEG ATT	14,40
14	101921	R402 SWITCH CONTROL PCB	136,40
15	102913	R401 PANEL KEY	0,80
16	102911	R301U (C) PCB SUPPORT	3,30
17	117703	R301U (C) PCB KEY	0,55
18	39193	R402 SWITCH ASSEMBLY + NAME PLATE	78,00
19	407828	R402 NAME PLATE	7,90
20	117805	R502A/602A SPEED SWITCH HANDLE	7,70
21	117792	R502A/602A SPEED SWITCH	7,70
22	29441	R301 ULTRA B REED SWITCH ASS	10,45
23	27252	R401 VEGETABLE ATTACHMENT	See Price list
24	117079	R302 VEGETABLE LID ASSEMBLY	136,80
25	29324	R302 PUSHER PLATE ASSEMBLY	44,65
26	102021	CL50A PUSHER KNOB SPACER	4,85
27	102022	R302 ROUND PUSHER	7,70
28	102020	R302 PUSHER GUIDE	18,50
29	102016	R302 VEGETABLE LID ONLY	60,80
30	102019	R302 SLING PLATE	12,15
31	117092	R401 REVERSIBLE SLING PLATE	5,70
32	117091	R401 SLING PLATE HUB	6,75
33	104076	R401 VEGETABLE BOWL	192,25
34	104122	R401 VENT COVER	3,75
35	102600	R502A/R602A PCB	130,25
36	117809	R502 PCB MOUNTING	5,10
37	104079	R402 MOTOR SHAFT WASHER	0,85
38	504282	R402 POWER CORD	31,35
39	39112	R402 BOTTOM CASE	41,40
40	101082	R201 RUBBER FOOT	1,05

**robot coupe®**

**R 402**

**Pricelist in : EUR**

N°	M	Voltage	
22359	303140 305,10	230 / 50 / 3	
22360	303141 305,10	400 / 50 / 3	
22362	303142 305,10	220 / 60 / 3	
22363	303143 305,10	380 / 60 / 3	
2507 Cutte	303140 305,10	230 / 50 / 3	
2508 Cutte	303141 305,10	400 / 50 / 3	
2510 Cutte	303142 305,10	220 / 60 / 3	
2511 Cutte	303143 305,10	380 / 60 / 3	





**(A)** POWER CORD 1,5 DK

**(M)** MOTOR

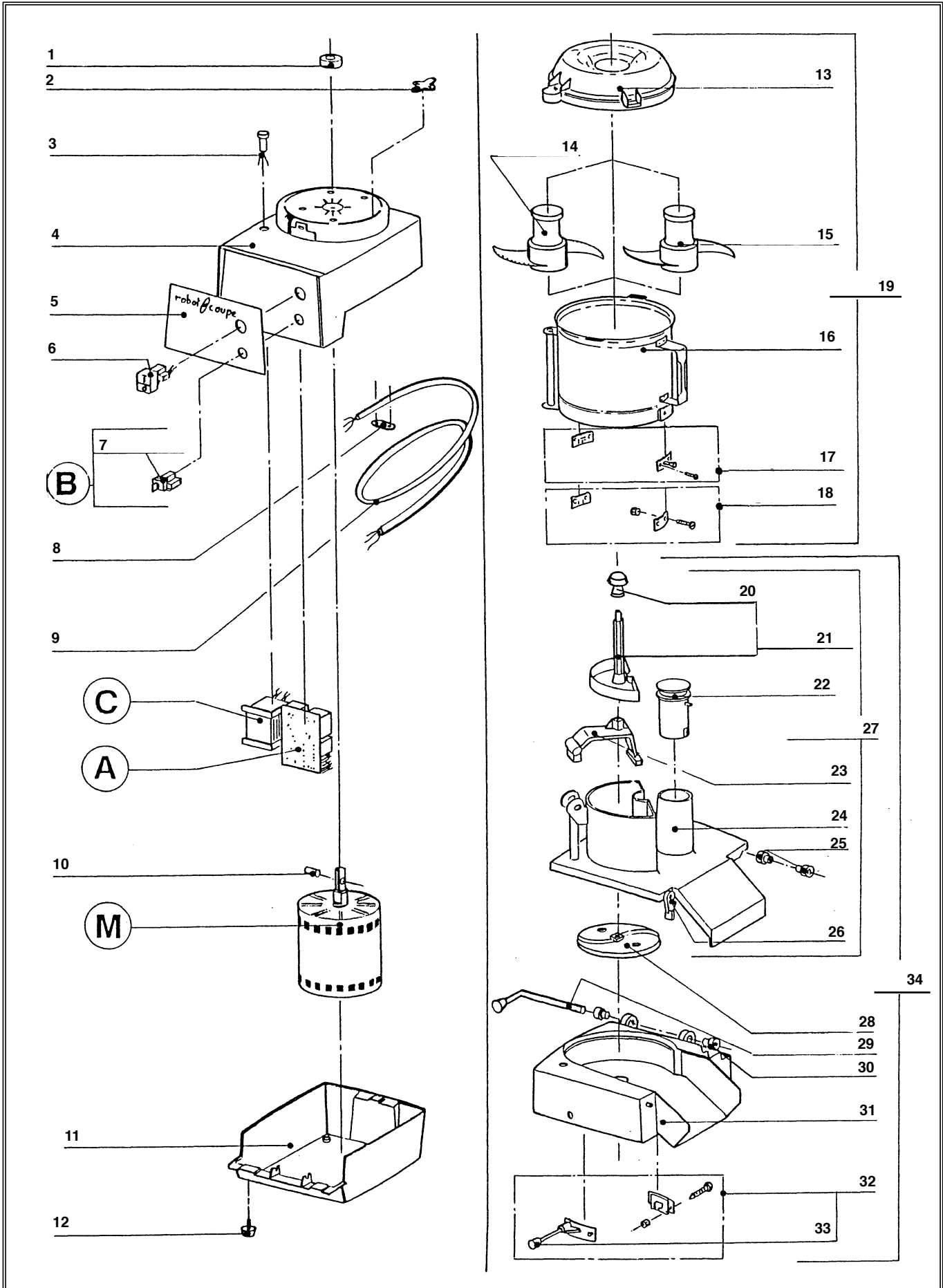
INDEX	REF.	DESIGNATION	Pricelist in : EUR
1	27251	R401 BOWL CUTTER ATTACHMENT	See Price list
2	117395	R401 LID-CUTTING	60,65
3	104147	R401 BLADE CAP	0,65
4	27255	R401 SMOOTH BLADE	See Price list
5	27253	R401 COARSE SERRATED BLADE	See Price list
6	27254	R401 FINE SERRATED BLADE	See Price list
7	104085	R401 BOWL 4LT STAINLESS STEEL	240,25
8	39225	R401 SAFETY ROD ASSY	Contact us
9	29081	R301U LOCK PLATE & SCREWS	12,40
10	501010	BLIXER 4 COUPLING SEAL 15X35X6	7,40
11	104070	R401 BOLT COVER	0,60
12	39120	R402VV TOP CASE	193,20
13	29356	R401 REED SWITCH VEG ATT	14,40
14	102921	R302VV SWITCH CONTROL PCB	13,70
15	102913	R401 PANEL KEY	0,80
16	102911	R301U (C) PCB SUPPORT	3,30
17	117703	R301U (C) PCB KEY	0,55
18	39203	R402VV SWITCH ASS + NAME PLATE	78,00
19	407829	R402VV NAME PLATE	7,90
20	117073	R602VV SWITCH HANDLE	7,70
21	103308	R402VV NUT	0,80
22	101551	R402VV SPACER	2,45
23	102106	BUTEE POTENTIOMETRE	1,52
24	39202	R402VV POTENTIOMETER ASS	48,05
25	29441	R301 ULTRA B REED SWITCH ASS	10,45
26	102924	R402VV SMALL PULLEY	38,30
27	503940	R402VV DRIVE BELT	37,35
28	27252	R401 VEGETABLE ATTACHMENT	See Price list
29	117079	R302 VEGETABLE LID ASSEMBLY	136,80
30	29324	R302 PUSHER PLATE ASSEMBLY	44,65
31	102021	CL50A PUSHER KNOB SPACER	4,85
32	102022	R302 ROUND PUSHER	7,70
33	102020	R302 PUSHER GUIDE	18,50
34	102016	R302 VEGETABLE LID ONLY	60,80
35	102019	R302 SLING PLATE	12,15
36	117092	R401 REVERSIBLE SLING PLATE	5,70
37	117091	R401 SLING PLATE HUB	6,75
38	104076	R401 VEGETABLE BOWL	192,25
39	104122	R401 VENT COVER	3,75
40	29604	R402VV DRIVE SHAFT ASSEMBLY	80,25
41	102920	R402VV PCB SENSOR	17,90
42	104125	R402VV MOTOR COVER	35,55
43	102922	R402VV TOOTHED WHEEL	14,60
44	102923	R402VV LARGE PULLEY	44,05
45	102935	CL60 MAGNET ARM SUPPORT	463,90
46	102934	R302VV MOTOR FAN	5,25
47	104109	R402VV DEFLECTOR PLATE	9,00
48	39112	R402 BOTTOM CASE	41,40
49	101082	R201 RUBBER FOOT	1,05

**robot coupe®**

**R 402 V.V.**

**Pricelist in : EUR**

N°	M	Voltage	A	
22333	303076 375,75	200-230 / 50-60 / 1	504279 10,50	
2683 Pack	303076 375,75	200-230 / 50-60 / 1	504279 10,50	
2684 Pack	303076 375,75	200-230 / 50-60 / 1	504279 10,50	
2687 Cutte	303076 375,75	200-230 / 50-60 / 1	504280 13,00	
2688 Cutte	303076 375,75	200-230 / 50-60 / 1	504279 10,50	
2689 Cutte	303076 375,75	200-230 / 50-60 / 1	504281 10,50	



- (A)** CIRCUIT BOARD
- (B)** COMMUTATOR ASS
- (C)** R501 TRANSFORMER
- (M)** MOTOR

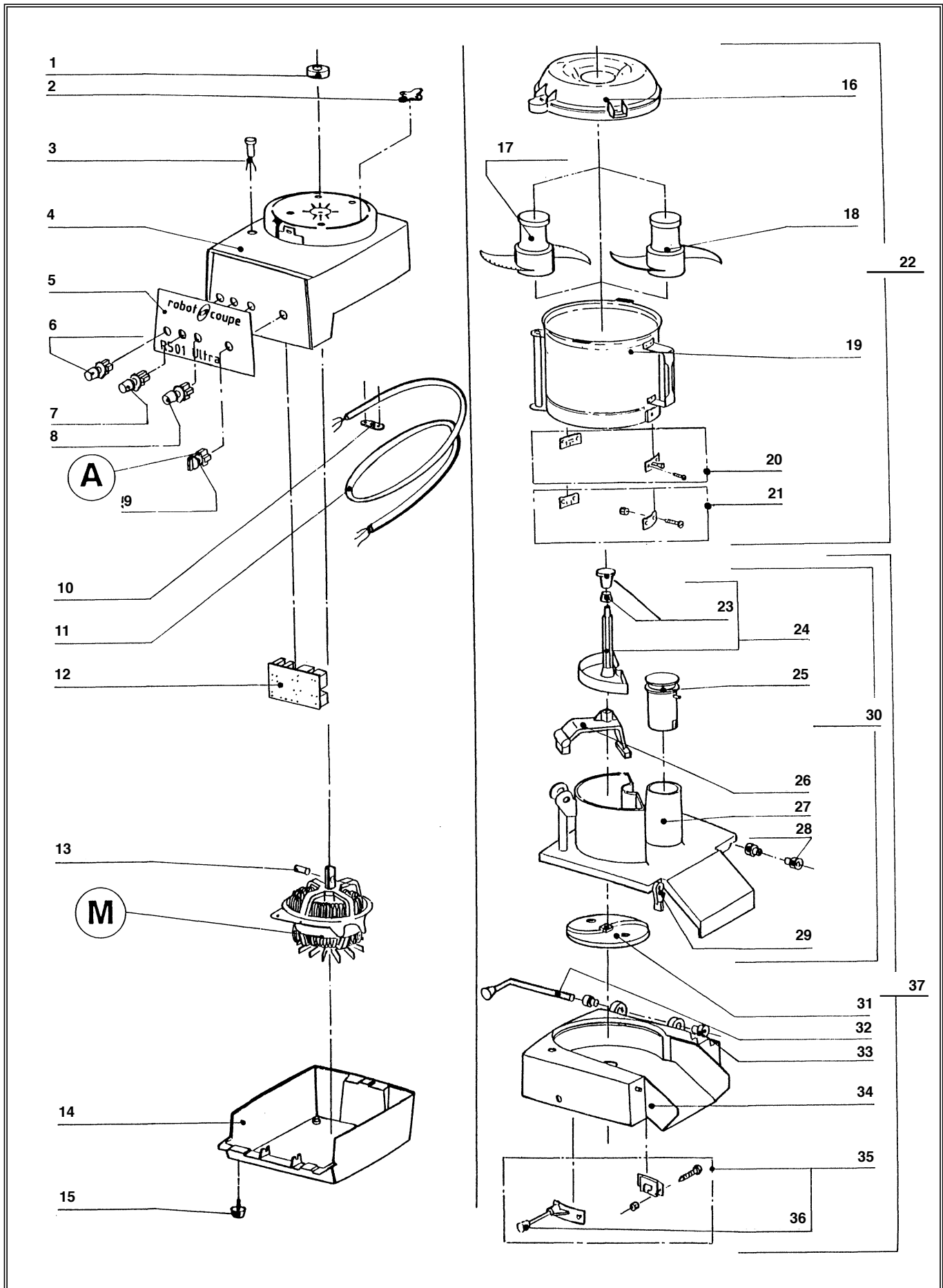
INDEX	REF.	DESIGNATION	Pricelist in : EUR
1	501624	R502/602 MOTOR SEAL	3,15
2	29238	R501U BOWL SHIM	6,20
3	29047	R501Ua REED SWITCH ASSEMBLY	10,15
4	29100	R501U TOP CASING	291,20
5	401041	R501U NAME PLATE	9,05
6	509091	ON/OFF SWITCH	60,10
7	515548	R501 SPEED CONTROL KNOB	15,70
8	108515	POWER CORD CLIP	0,15
9	515570	POWER CORD	29,95
10	110308	R501U SHAFT PIN MOTOR	2,00
11	29975	CIRCUIT BOARD	160,55
12	500247	R4 RUBBER FOOT	1,35
13	28611	R501 LID-CUTTING	74,80
14	27025	R501U BLADE ASSEMBLY-SERRATED	131,85
15	27024	R501U BLADE ASSEMBLY-FLAT	120,55
16	29148	R501U BOWL-STAINLESS STEEL	414,50
17	29315	R501Ua S/S BOWL LOCK PLATE LARGE	12,45
18	29101	R501Ua LOCK PLATE SMALL	12,40
19	27031	R501U BOWL CUTTER ATTACHMENT	507,80
20	102021	CL50A PUSHER KNOB SPACER	4,85
21	29060	R501Ua PUSHER PLATE ASSEMBLY	81,90
22	100709	CL50A PUSHER-ROUND	6,50
23	29102	R501Ua PUSHER GUIDE	99,10
24	100680	CL50A LID ONLY	148,15
25	29058	CL60 HINGE BUSH KIT	6,25
26	29066	R501U LID LOCK CLAMP-NS	47,20
27	29103	R502/602 VEGETABLE LID ASSEMBLY	392,90
28	100062	CL50A SLING PLATE	10,90
29	29061	CL50A HINGE PIN	18,65
30	29058	CL60 HINGE BUSH KIT	6,25
31	29087	R501U VEGETABLE BOWL ASSEMBLY	328,15
32	29088	R501Ua VEG LOCK PLATE LARGE	21,05
33	507518	CL401 BOWL KNOB ASSEMBLY	1,00
34	27022	R501U VEG ATTACHMENT	560,35



## R 501 Ultra

Pricelist in : EUR

N°	M	Voltage	A	B	C	
24030 n° sé	301001 847,90	220-380 / 50 / 3	29367 156,65	29310 56,45	510312 81,20	
24031 n° sé	301002 798,55	380 / 50 / 3	29368 172,80	29309 52,30	510312 81,20	
24033 n° sé	301004 798,55	220 / 60 / 3	29368 172,80	29309 52,30	510312 81,20	
24078 n° sé	302085 871,80	380 / 60 / 3	29368 172,80	29309 52,30	510312 81,20	
2920 n° sé	301001 847,90	220-380 / 50 / 3	29367 156,65	29310 56,45	510312 81,20	
2921 n° sé	301002 798,55	380 / 50 / 3	29368 172,80	29309 52,30	510312 81,20	
2923 n° sé	301004 798,55	220 / 60 / 3	29368 172,80	29309 52,30	510312 81,20	
2924 n° sé	302085 871,80	380 / 60 / 3	29368 172,80	29309 52,30	510312 81,20	



(A)

COMMUTATOR ASS

(M)

380/60/3 R501U-A MOTOR

INDEX	REF.	DESIGNATION	Pricelist in : EUR
1	501624	R502/602 MOTOR SEAL	3,15
2	29238	R501U BOWL SHIM	6,20
3	29047	R501Ua REED SWITCH ASSEMBLY	10,15
4	29269	R501Ua TOP CASING	282,70
5	401327	POWER CABLE 2X0,75+EARTH	Contact us
6	500322	GREEN KNOB	32,90
7	500321	RED KNOB	32,90
8	500301	BLACK KNOB	31,85
9	501842	R8 SWITCH HANDLE	11,75
10	108515	POWER CORD CLIP	0,15
11	515570	POWER CORD	29,95
12	39013	R501Ua PCB	179,15
13	110308	R501U SHAFT PIN MOTOR	2,00
14	29975	CIRCUIT BOARD	160,55
15	500247	R4 RUBBER FOOT	1,35
16	28611	R501 LID-CUTTING	74,80
17	27025	R501U BLADE ASSEMBLY-SERRATED	131,85
18	27024	R501U BLADE ASSEMBLY-FLAT	120,55
19	29148	R501U BOWL-STAINLESS STEEL	414,50
20	29315	R501Ua S/S BOWL LOCK PLATE LARGE	12,45
21	29101	R501Ua LOCK PLATE SMALL	12,40
22	27031	R501U BOWL CUTTER ATTACHMENT	507,80
23	102021	CL50A PUSHER KNOB SPACER	4,85
24	29060	R501Ua PUSHER PLATE ASSEMBLY	81,90
25	100709	CL50A PUSHER-ROUND	6,50
26	29102	R501Ua PUSHER GUIDE	99,10
27	100680	CL50A LID ONLY	148,15
28	29058	CL60 HINGE BUSH KIT	6,25
29	29066	R501U LID LOCK CLAMP-NS	47,20
30	29103	R502/602 VEGETABLE LID ASSEMBLY	392,90
31	100062	CL50A SLING PLATE	10,90
32	29061	CL50A HINGE PIN	18,65
33	29058	CL60 HINGE BUSH KIT	6,25
34	29087	R501U VEGETABLE BOWL ASSEMBLY	328,15
35	29088	R501Ua VEG LOCK PLATE LARGE	21,05
36	507518	CL401 BOWL KNOB ASSEMBLY	1,00
37	27022	R501U VEG ATTACHMENT	560,35

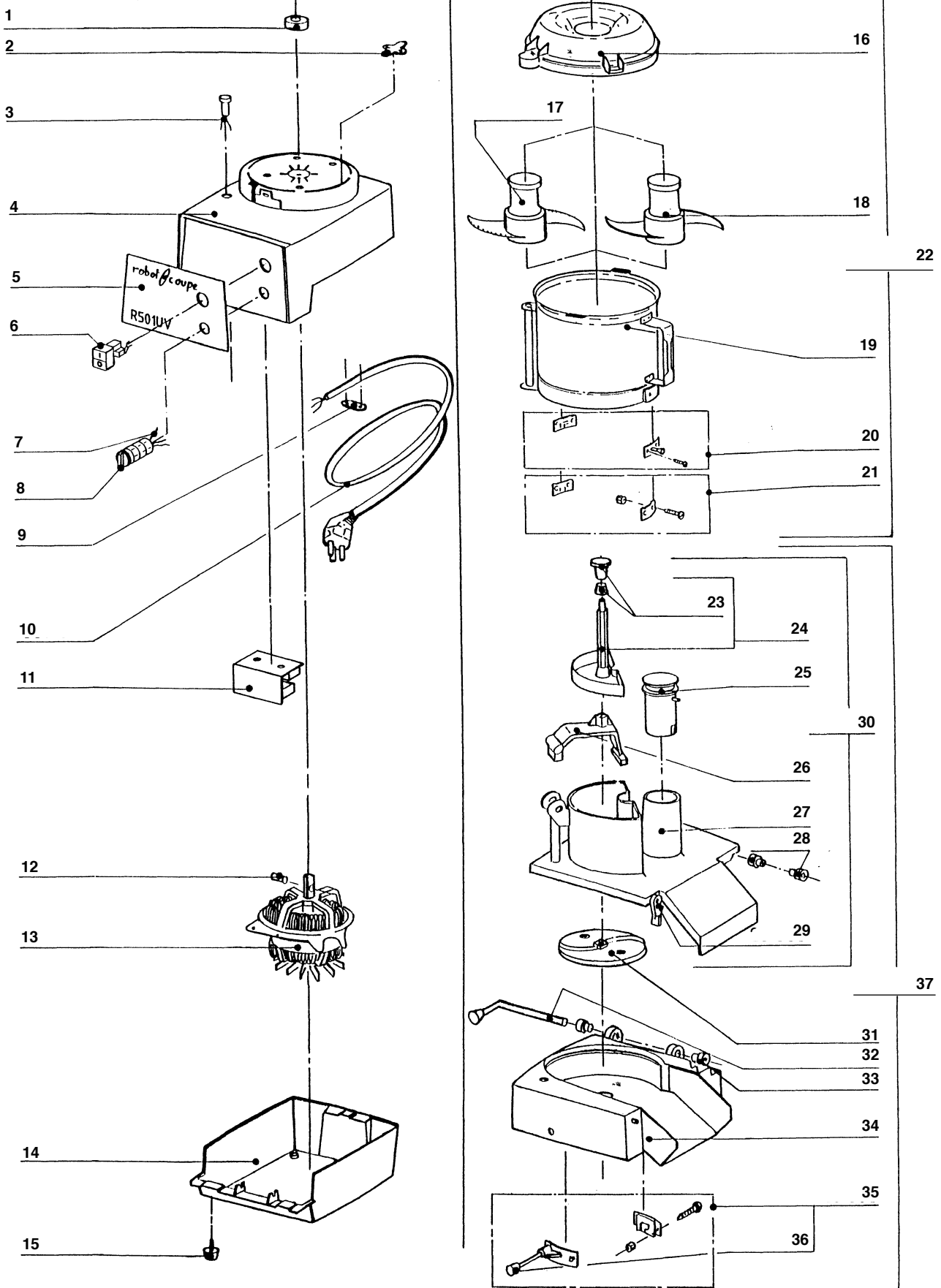
robot coupe®

R 501 Ultra "A"

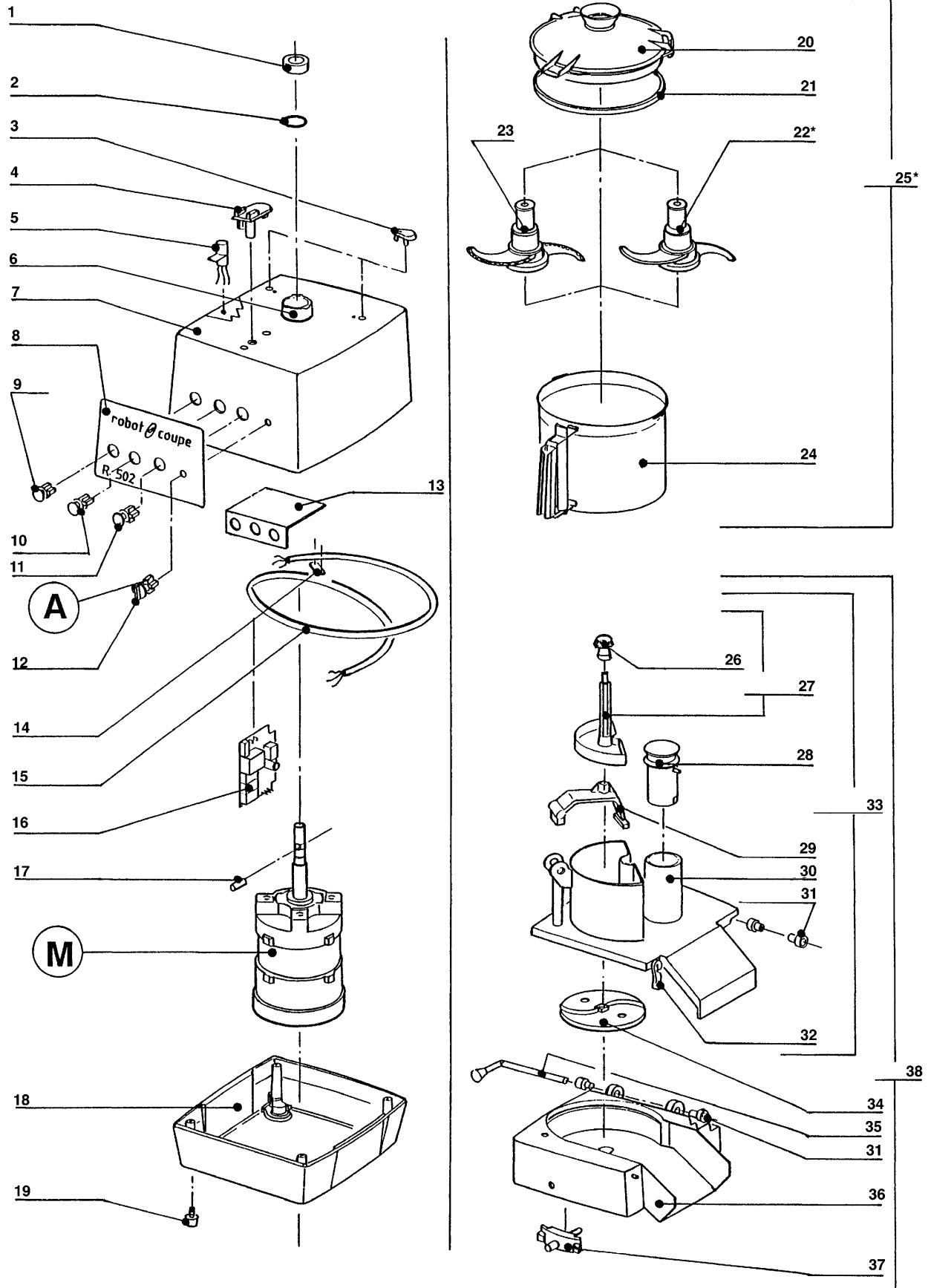
Pricelist in : EUR

N°	M	Voltage	A	
24102	301001 847,90	220-380 / 50 / 3	501841 56,45	
24103	301048 798,40	380 / 50 / 3	501840 56,45	
24105	301052 798,55	220 / 60 / 3	501840 56,45	
24114	301051 1 028,25	380 / 60 / 3	501840 56,45	
2909	301048 798,40	380 / 50 / 3	501840 56,45	
2925	301001 847,90	220-380 / 50 / 3	501841 56,45	
2926	301052 798,55	220 / 60 / 3	501840 56,45	
2927	301048 798,40	380 / 50 / 3	501840 56,45	
2929	301051 1 028,25	380 / 60 / 3	501840 56,45	





INDEX	REF.	DESIGNATION	Pricelist in : EUR
1	501624	R502/602 MOTOR SEAL	3,15
2	29238	R501U BOWL SHIM	6,20
3	29316	REES SWITCH ASS	10,15
4	29314	MOTOR SUPPORT ASS	291,20
5	401326	FRONT PLATE	9,50
6	509091	ON/OFF SWITCH	60,10
7	501947	R602VV SPEED SWITCH BLOCK	55,45
8	501006	BLIXER 4 TIMER KNOB	1,50
9	108515	POWER CORD CLIP	0,15
10	507320	POWER CORD	10,00
11	101835	REDUCTOR	709,75
12	110308	R501U SHAFT PIN MOTOR	2,00
13	301029	MOTOR	836,05
14	29139	BASE ASS	188,65
15	500247	R4 RUBBER FOOT	1,35
16	28611	R501 LID-CUTTING	74,80
17	27025	R501U BLADE ASSEMBLY-SERRATED	131,85
18	27024	R501U BLADE ASSEMBLY-FLAT	120,55
19	29148	R501U BOWL-STAINLESS STEEL	414,50
20	29315	R501Ua S/S BOWL LOCK PLATE LARGE	12,45
21	29101	R501Ua LOCK PLATE SMALL	12,40
22	27031	R501U BOWL CUTTER ATTACHMENT	507,80
23	102021	CL50A PUSHER KNOB SPACER	4,85
24	29060	R501Ua PUSHER PLATE ASSEMBLY	81,90
25	100709	CL50A PUSHER-ROUND	6,50
26	29102	R501Ua PUSHER GUIDE	99,10
27	100680	CL50A LID ONLY	148,15
28	29058	CL60 HINGE BUSH KIT	6,25
29	29066	R501U LID LOCK CLAMP-NS	47,20
30	29103	R502/602 VEGETABLE LID ASSEMBLY	392,90
31	100062	CL50A SLING PLATE	10,90
32	29061	CL50A HINGE PIN	18,65
33	29058	CL60 HINGE BUSH KIT	6,25
34	29087	R501U VEGETABLE BOWL ASSEMBLY	328,15
35	29088	R501Ua VEG LOCK PLATE LARGE	21,05
36	507518	CL401 BOWL KNOB ASSEMBLY	1,00
37	27022	R501U VEG ATTACHMENT	560,35

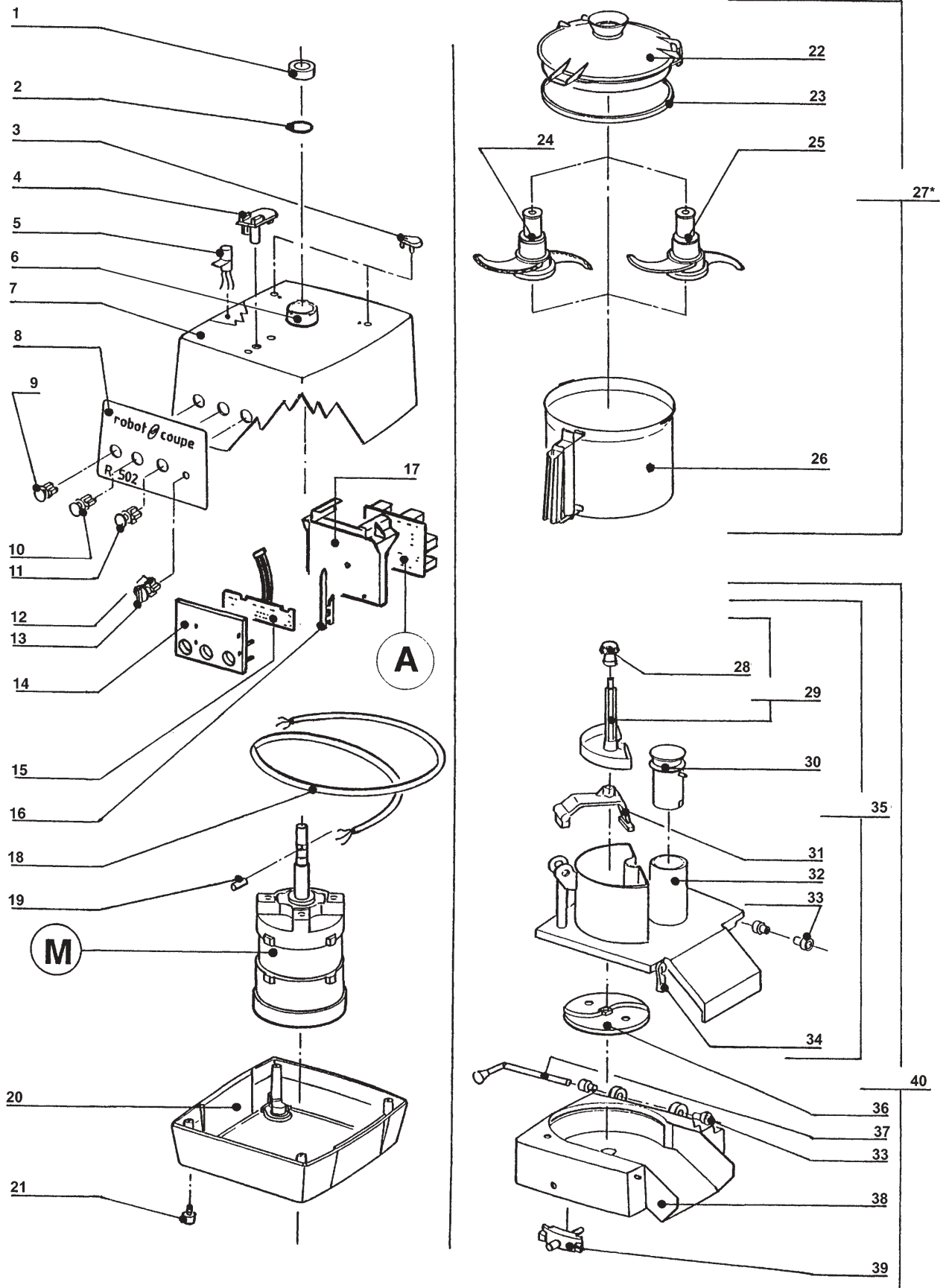


**(A)** COMMUTATOR ASS

**(M)** MOTOR

INDEX	REF.	DESIGNATION	Pricelist in : EUR
1	501624	R502/602 MOTOR SEAL	3,15
2	502670	SEAL	0,50
3	29336	R502/602 BOWL SUPPORT	16,35
4	117102	R502/602 REED SWITCH HOLDER	25,05
5	117101	R502/602 REED SWITCH	29,40
6	39088	SOCKET SUPPORT SEAL ASSY	64,55
7	29339	R502 TOP CASE	309,35
8	401545	R502 FRONT PLATE	9,05
9	502175	R502/602 BLACK SWITCH	31,85
10	502174	R502/602 GREEN SWITCH TOP	31,85
11	502173	R502/R602 RED SWITCH	31,85
12	117072	R302 PLUS/502 SPEED SWITCH HANDLE	7,70
13	117528	MYLAR PROTEC.	1,50
14	108515	POWER CORD CLIP	0,15
15	502067	POWER CORD	29,95
16	102099	R602/502 PCB 415V	130,25
17	110308	R501U SHAFT PIN MOTOR	2,00
18	29340	R502/602 BOTTOM CASE	180,15
19	101418	CL55 RUBBER FOOT	1,15
20	29341	R602VV LID CUTTING	74,80
21	117100	R502/602 LID SEAL	19,15
22	27120	R502 FLAT BLADE ASSEMBLY	See Price list
23	27121	R502 SERR BLADE ASSEMBLY	See Price list
24	117106	R502 CUTTER BOWL	414,50
25	27127	R502 BOWL CUTTER ATTACHMENT	See Price list
26	102021	CL50A PUSHER KNOB SPACER	4,85
27	29060	R501Ua PUSHER PLATE ASSEMBLY	81,90
28	100709	CL50A PUSHER-ROUND	6,50
29	29102	R501Ua PUSHER GUIDE	99,10
30	100680	CL50A LID ONLY	148,15
31	29058	CL60 HINGE BUSH KIT	6,25
32	29066	R501U LID LOCK CLAMP-NS	47,20
33	29103	R502/602 VEGETABLE LID ASSEMBLY	392,90
34	100062	CL50A SLING PLATE	10,90
35	29061	CL50A HINGE PIN	18,65
36	29346	R502/602 VEGETABLE BOWL	328,15
37	29345	R502/602 VEG BOWL LOCK PLATE ASS	18,30
38	27129	VEGETABLE SLICER R502/602	Contact us

N°	M	Voltage	A	
24124 n° sé	301064 836,05	380 / 60 / 3	501840 56,45	
24125 n° sé	303019 798,55	380 / 50 / 3	501840 56,45	
24127 n° sé	303007 798,55	220 / 60 / 3	501840 56,45	
24128 n° sé	303008 847,90	220/380 / 50 / 3	501841 56,45	
2943 n° sé	303008 847,90	220/380 / 50 / 3	501841 56,45	
2945 n° sé	303007 798,55	220 / 60 / 3	501840 56,45	
2946 n° sé	303019 798,55	380 / 50 / 3	501840 56,45	
2956 n° sé	303019 798,55	380 / 50 / 3	501840 56,45	
2957 n° sé	301064 836,05	380 / 60 / 3	501840 56,45	



**(A)** R502A/R602A PCB

**(M)** MOTOR

INDEX	REF.	DESIGNATION	Pricelist in : EUR
1	501624	R502/602 MOTOR SEAL	3,15
2	502670	SEAL	0,50
3	29336	R502/602 BOWL SUPPORT	16,35
4	29586	R502D/R602D REED SWITCH HOLDER	25,05
5	29585	REED SWITCH VEGETABLE ASS	29,40
6	39088	SOCKET SUPPORT SEAL ASSY	64,55
7	29339	R502 TOP CASE	309,35
8	401545	R502 FRONT PLATE	9,05
9	502171	BLACK KNOB	12,45
10	502170	CL60 (D) GREEN LOW SPEED SWITCH TOP	12,45
11	502169	CL60 (D) RED SWITCH TOP	12,45
12	117792	R502A/602A SPEED SWITCH	7,70
13	117805	R502A/602A SPEED SWITCH HANDLE	7,70
14	29533	MOUNT SPACER FOR PCB	11,95
15	117813	BLIXER 5 PLUS SWITCH CONTROL PCB 415V	21,65
16	117703	R301U (C) PCB KEY	0,55
17	117809	R502 PCB MOUNTING	5,10
18	515570	POWER CORD	29,95
19	110308	R501U SHAFT PIN MOTOR	2,00
20	29620	R502A/R602A BOTTOM CASE PLASTIC	91,90
21	101418	CL55 RUBBER FOOT	1,15
22	29341	R602VV LID CUTTING	74,80
23	117100	R502/602 LID SEAL	19,15
24	27121	R502 SERR BLADE ASSEMBLY	See Price list
25	27120	R502 FLAT BLADE ASSEMBLY	See Price list
26	117106	R502 CUTTER BOWL	414,50
27	27127	R502 BOWL CUTTER ATTACHMENT	See Price list
28	102021	CL50A PUSHER KNOB SPACER	4,85
29	29060	R501Ua PUSHER PLATE ASSEMBLY	81,90
30	100709	CL50A PUSHER-ROUND	6,50
31	29102	R501Ua PUSHER GUIDE	99,10
32	100680	CL50A LID ONLY	148,15
33	29058	CL60 HINGE BUSH KIT	6,25
34	29066	R501U LID LOCK CLAMP-NS	47,20
35	29103	R502/602 VEGETABLE LID ASSEMBLY	392,90
36	100062	CL50A SLING PLATE	10,90
37	29061	CL50A HINGE PIN	18,65
38	29346	R502/602 VEGETABLE BOWL	328,15
39	29345	R502/602 VEG BOWL LOCK PLATE ASS	18,30
40	27129	VEGETABLE SLICER R502/602	Contact us

N°	M	Voltage	A	
24289A n° sé	301057 807,45	380 / 60 / 3	102600 130,25	
24290A n° sé	303042 798,55	380 / 50 / 3	102600 130,25	
24292A n° sé	303055 798,55	220 / 60 / 3	102600 130,25	
2837 n° sé	301057 807,45	380 / 60 / 3	102600 130,25	
2838 n° sé	303042 798,55	380 / 50 / 3	102600 130,25	
2840 n° sé	303055 798,55	220 / 60 / 3	102600 130,25	



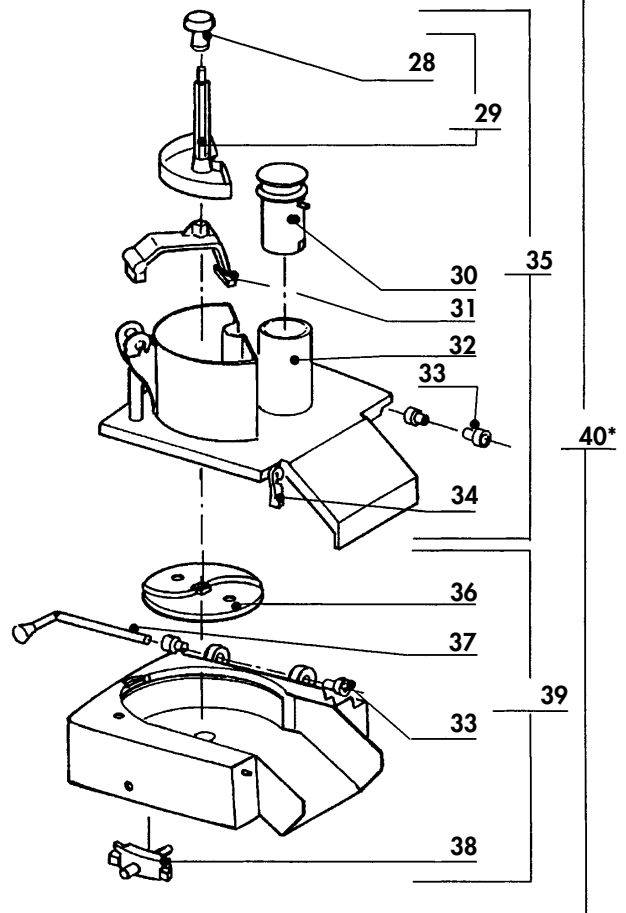
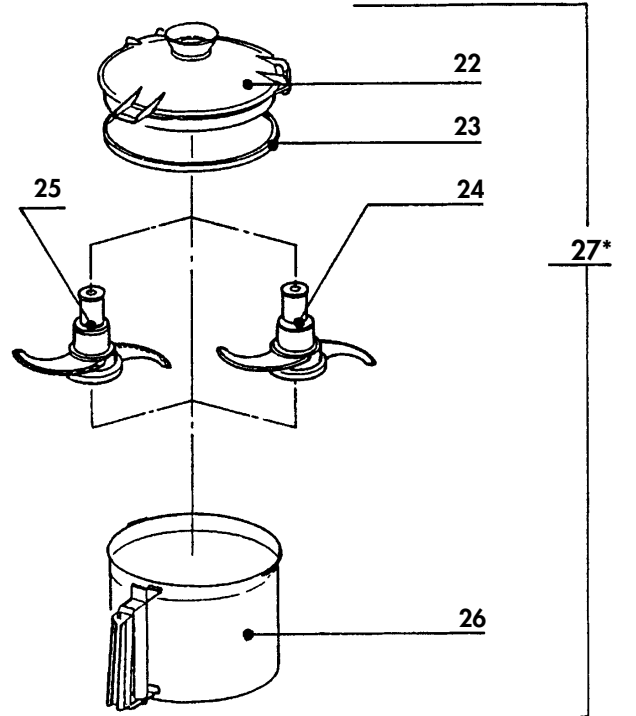
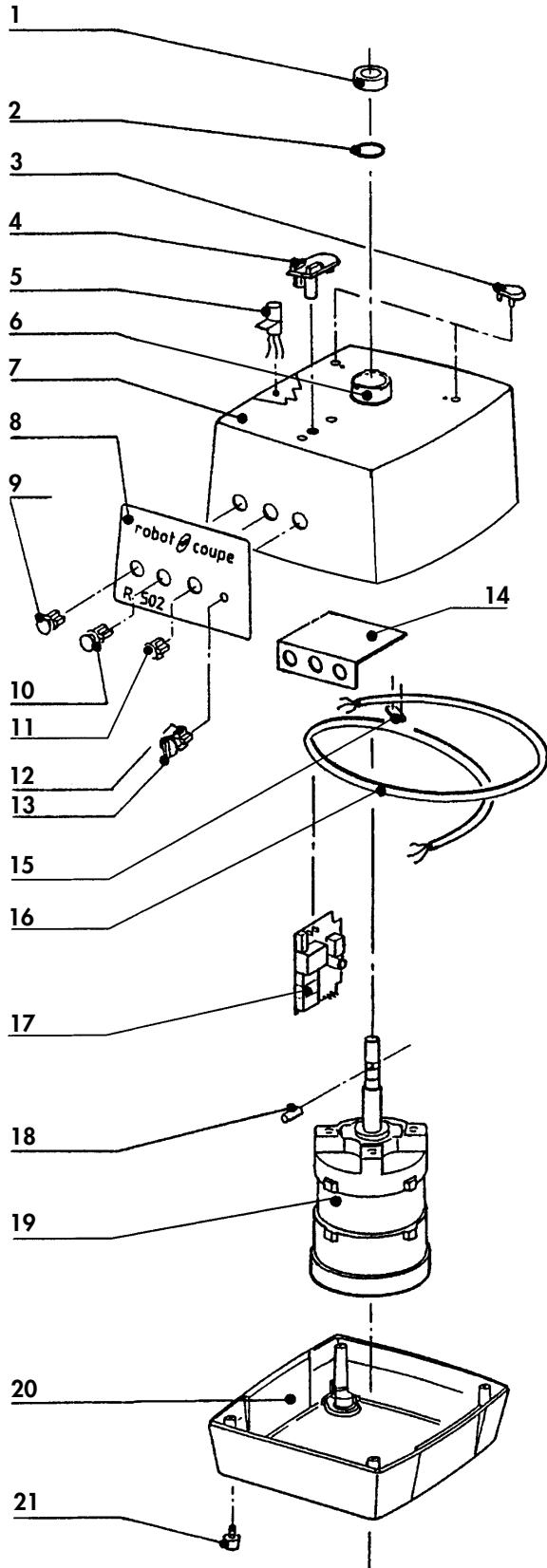


**(A)** R502A/R602A PCB

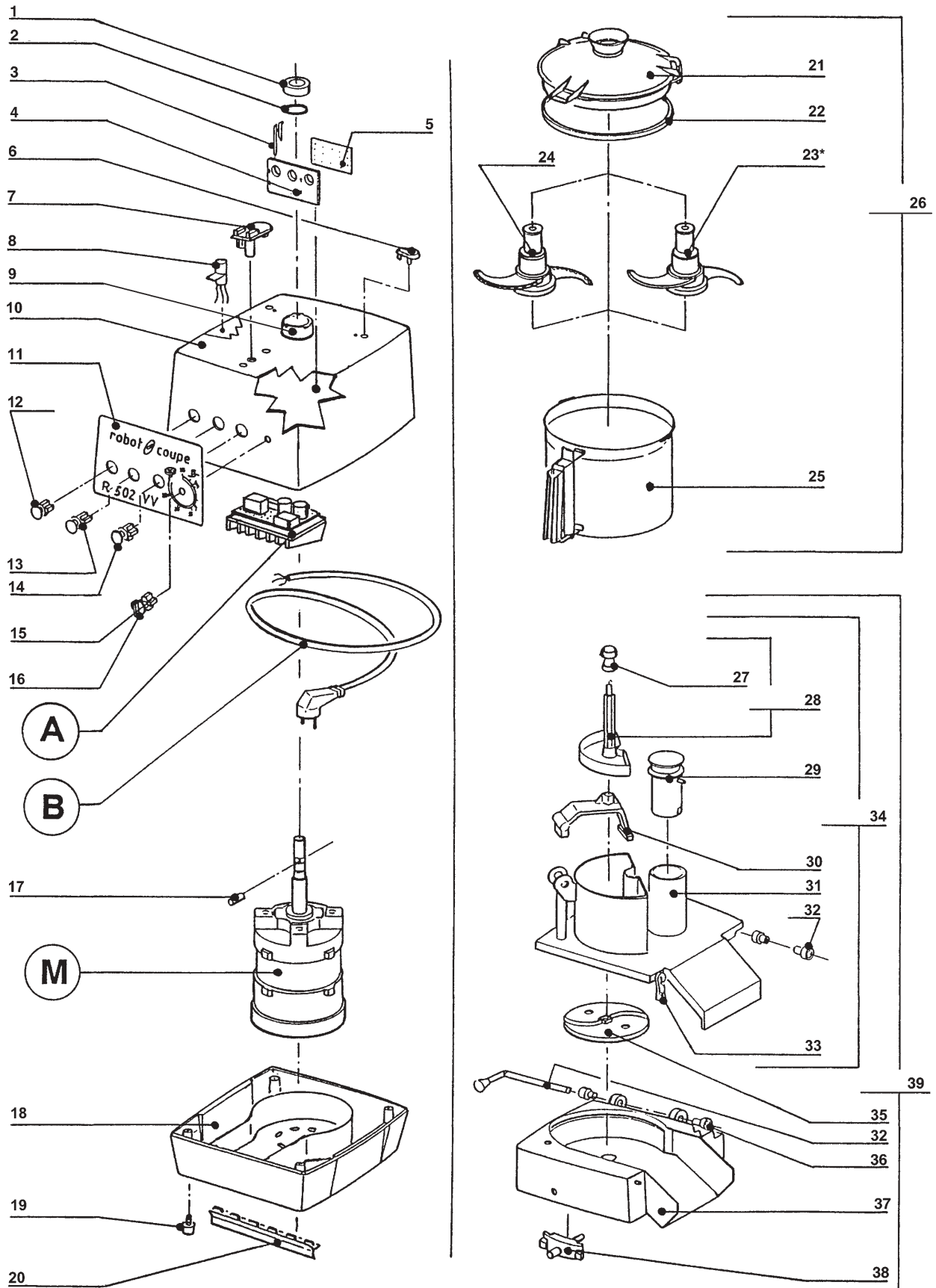
**(M)** MOT R502A/602A 400V

INDEX	REF.	DESIGNATION	Pricelist in : EUR
1	501624	R502/602 MOTOR SEAL	3,15
2	502670	SEAL	0,50
3	29336	R502/602 BOWL SUPPORT	16,35
4	29586	R502D/R602D REED SWITCH HOLDER	25,05
5	29585	REED SWITCH VEGETABLE ASS	29,40
6	39088	SOCKET SUPPORT SEAL ASSY	64,55
7	29339	R502 TOP CASE	309,35
8	401545	R502 FRONT PLATE	9,05
9	502171	BLACK KNOB	12,45
10	502170	CL60 (D) GREEN LOW SPEED SWITCH TOP	12,45
11	502169	CL60 (D) RED SWITCH TOP	12,45
12	117792	R502A/602A SPEED SWITCH	7,70
13	117805	R502A/602A SPEED SWITCH HANDLE	7,70
14	29533	MOUNT SPACER FOR PCB	11,95
15	117813	BLIXER 5 PLUS SWITCH CONTROL PCB 415V	21,65
16	117703	R301U (C) PCB KEY	0,55
17	117809	R502 PCB MOUNTING	5,10
18	515570	POWER CORD	29,95
19	110308	R501U SHAFT PIN MOTOR	2,00
20	29620	R502A/R602A BOTTOM CASE PLASTIC	91,90
21	101418	CL55 RUBBER FOOT	1,15
22	29341	R602VV LID CUTTING	74,80
23	117100	R502/602 LID SEAL	19,15
24	27120	R502 FLAT BLADE ASSEMBLY	See Price list
25	27121	R502 SERR BLADE ASSEMBLY	See Price list
26	117106	R502 CUTTER BOWL	414,50
27	27127	R502 BOWL CUTTER ATTACHMENT	See Price list
28	102021	CL50A PUSHER KNOB SPACER	4,85
29	29060	R501Ua PUSHER PLATE ASSEMBLY	81,90
30	118324	CL52D ROUND PUSHER	6,50
31	29695	R502D PUSHER ASSEMBLY	99,10
32	118376	VEG SLICER LID	148,15
33	29058	CL60 HINGE BUSH KIT	6,25
34	29501	LOCK LATCH ASSY	47,20
35	29696	CL55 PUSHER STOP ASSEMBLY	392,90
36	102690	CL50 D SLING PLATE	10,90
37	29061	CL50A HINGE PIN	18,65
38	28107	R502/602 D VEG BOWL LOCK PLATE ASS	18,30
39	29697	R502D BOWL ASSEMBLY	328,00
40	27200	MP450 COMBI FOOT ASSEMBLY	See Price list

N°	M	Voltage	A	
24289D	301047 900,45	380 / 60 / 3	102600 130,25	
24290D	303042 798,55	380 / 50 / 3	102600 130,25	
24292D	303055 798,55	220 / 60 / 3	102600 130,25	
24293D	303113 887,75	230-400 / 50 / 3	112600 133,15	
2841	303113 887,75	230-400 / 50 / 3	112600 133,15	
2889	301047 900,45	380 / 60 / 3	102600 130,25	
2890	303042 798,55	380 / 50 / 3	102600 130,25	
2892	303055 798,55	220 / 60 / 3	102600 130,25	



INDEX	REF.	DESIGNATION	Pricelist in : EUR
1	501624	R502/602 MOTOR SEAL	3,15
2	502670	SEAL	0,50
3	29336	R502/602 BOWL SUPPORT	16,35
4	117102	R502/602 REED SWITCH HOLDER	25,05
5	117101	R502/602 REED SWITCH	29,40
6	39088	SOCKET SUPPORT SEAL ASSY	64,55
7	29339	R502 TOP CASE	309,35
8	401545	R502 FRONT PLATE	9,05
9	502175	R502/602 BLACK SWITCH	31,85
10	502174	R502/602 GREEN SWITCH TOP	31,85
11	502173	R502/R602 RED SWITCH	31,85
12	501841	COMMUTATOR ASS	56,45
13	117072	R302 PLUS/502 SPEED SWITCH HANDLE	7,70
14	117528	MYLAR PROTEC.	1,50
15	108515	POWER CORD CLIP	0,15
16	502067	POWER CORD	29,95
17	102099	R602/502 PCB 415V	130,25
18	110308	R501U SHAFT PIN MOTOR	2,00
19	303008	MOTOR	847,90
20	29340	R502/602 BOTTOM CASE	180,15
21	101418	CL55 RUBBER FOOT	1,15
22	29341	R602VV LID CUTTING	74,80
23	117100	R502/602 LID SEAL	19,15
24	27120	R502 FLAT BLADE ASSEMBLY	See Price list
25	27121	R502 SERR BLADE ASSEMBLY	See Price list
26	117106	R502 CUTTER BOWL	414,50
27	27127	R502 BOWL CUTTER ATTACHMENT	See Price list
28	102021	CL50A PUSHER KNOB SPACER	4,85
29	29060	R501Ua PUSHER PLATE ASSEMBLY	81,90
30	118324	CL52D ROUND PUSHER	6,50
31	29695	R502D PUSHER ASSEMBLY	99,10
32	118376	VEG SLICER LID	148,15
33	29058	CL60 HINGE BUSH KIT	6,25
34	29501	LOCK LATCH ASSY	47,20
35	29696	CL55 PUSHER STOP ASSEMBLY	392,90
36	102690	CL50 D SLING PLATE	10,90
37	29061	CL50A HINGE PIN	18,65
38	28107	R502/602 D VEG BOWL LOCK PLATE ASS	18,30
39	29697	R502D BOWL ASSEMBLY	328,00
40	27200	MP450 COMBI FOOT ASSEMBLY	See Price list



- (A)** 230/50-60/1 VARIATOR WITH FILTER
- (B)** POWER CORD
- (M)** R602VV MOTOR 240V 50HZ

INDEX	REF.	DESIGNATION	Pricelist in : EUR
1	501624	R502/602 MOTOR SEAL	3,15
2	502670	SEAL	0,50
3	117703	R301U (C) PCB KEY	0,55
4	29533	MOUNT SPACER FOR PCB	11,95
5	117706	R602 V.V. SWITCHES BOARD	12,10
6	29336	R502/602 BOWL SUPPORT	16,35
7	29586	R502D/R602D REED SWITCH HOLDER	25,05
8	29585	REED SWITCH VEGETABLE ASS	29,40
9	39088	SOCKET SUPPORT SEAL ASSY	64,55
10	29594	R502VV TOP CASING	423,25
11	406278	R502 VVA FRONT PLATE	9,05
12	502171	BLACK KNOB	12,45
13	502170	CL60 (D) GREEN LOW SPEED SWITCH TOP	12,45
14	502169	CL60 (D) RED SWITCH TOP	12,45
15	501947	R602VV SPEED SWITCH BLOCK	55,45
16	117073	R602VV SWITCH HANDLE	7,70
17	110308	R501U SHAFT PIN MOTOR	2,00
18	29581	R602VVA BOTTOM CASE PLASTIC	101,90
19	101418	CL55 RUBBER FOOT	1,15
20	117705	R602VV AIR FLOW SEPERATOR	10,65
21	29341	R602VV LID CUTTING	74,80
22	117100	R502/602 LID SEAL	19,15
23	27120	R502 FLAT BLADE ASSEMBLY	See Price list
24	27121	R502 SERR BLADE ASSEMBLY	See Price list
25	117106	R502 CUTTER BOWL	414,50
26	27127	R502 BOWL CUTTER ATTACHMENT	See Price list
27	102021	CL50A PUSHER KNOB SPACER	4,85
28	29060	R501Ua PUSHER PLATE ASSEMBLY	81,90
29	100709	CL50A PUSHER-ROUND	6,50
30	29102	R501Ua PUSHER GUIDE	99,10
31	100680	CL50A LID ONLY	148,15
32	29058	CL60 HINGE BUSH KIT	6,25
33	29066	R501U LID LOCK CLAMP-NS	47,20
34	29103	R502/602 VEGETABLE LID ASSEMBLY	392,90
35	100062	CL50A SLING PLATE	10,90
36	29061	CL50A HINGE PIN	18,65
37	29346	R502/602 VEGETABLE BOWL	328,15
38	29345	R502/602 VEG BOWL LOCK PLATE ASS	18,30
39	27129	VEGETABLE SLICER R502/602	Contact us

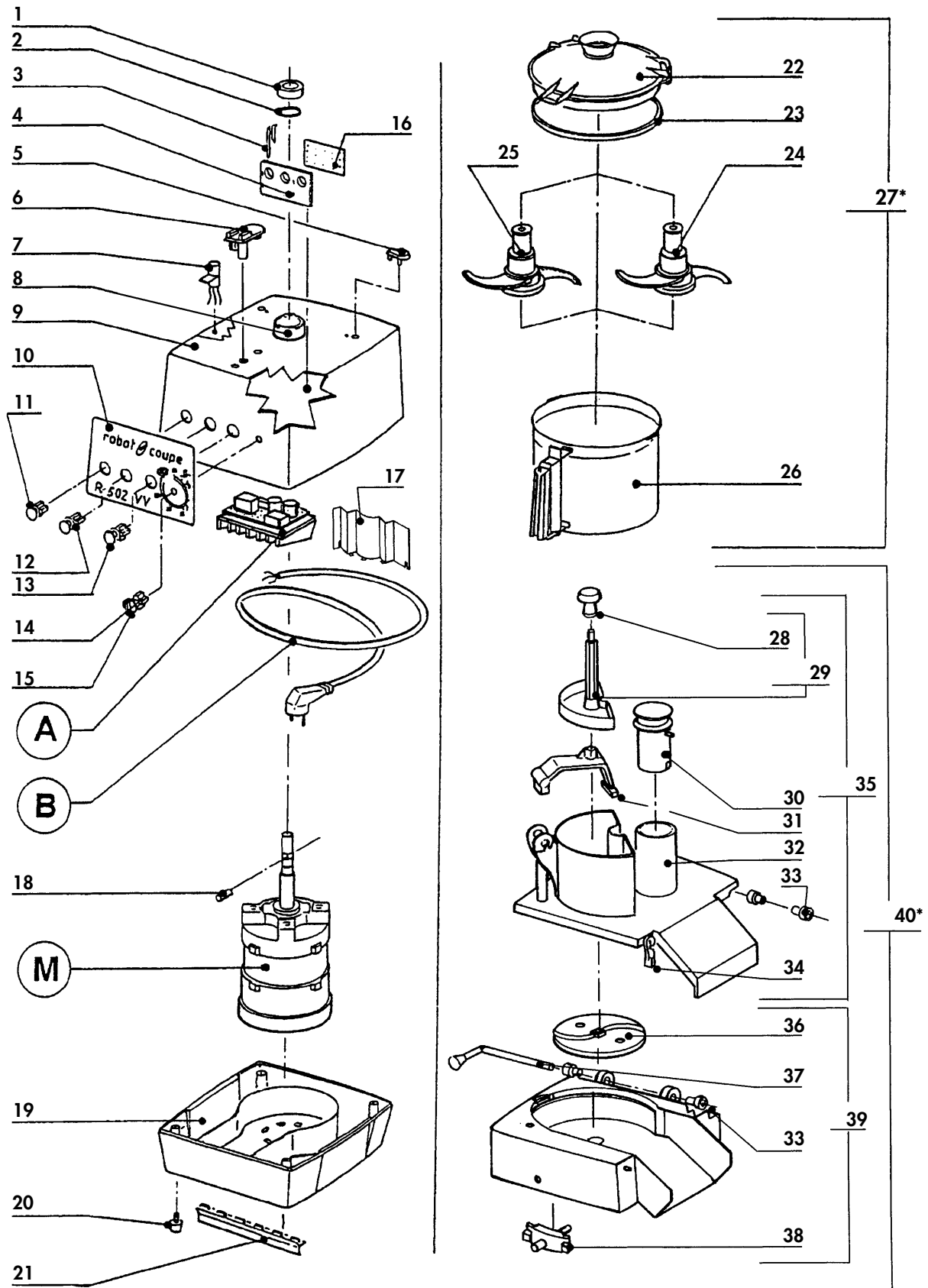
**robot coupe**

**R 502 V.V. A**

**Pricelist in : EUR**

N°	M	Voltage	A	B	
24318A	303009 798,55	230 / 50-60 / 1	117710 694,35	503125 15,80	
2858	303009 798,55	230 / 50-60 / 1	117710 694,35	503125 15,80	





**(A)** 230/50-60/1 VARIATOR WITH FILTER

**(B)** POWER CORD

**(M)** R602VV MOTOR 240V 50HZ

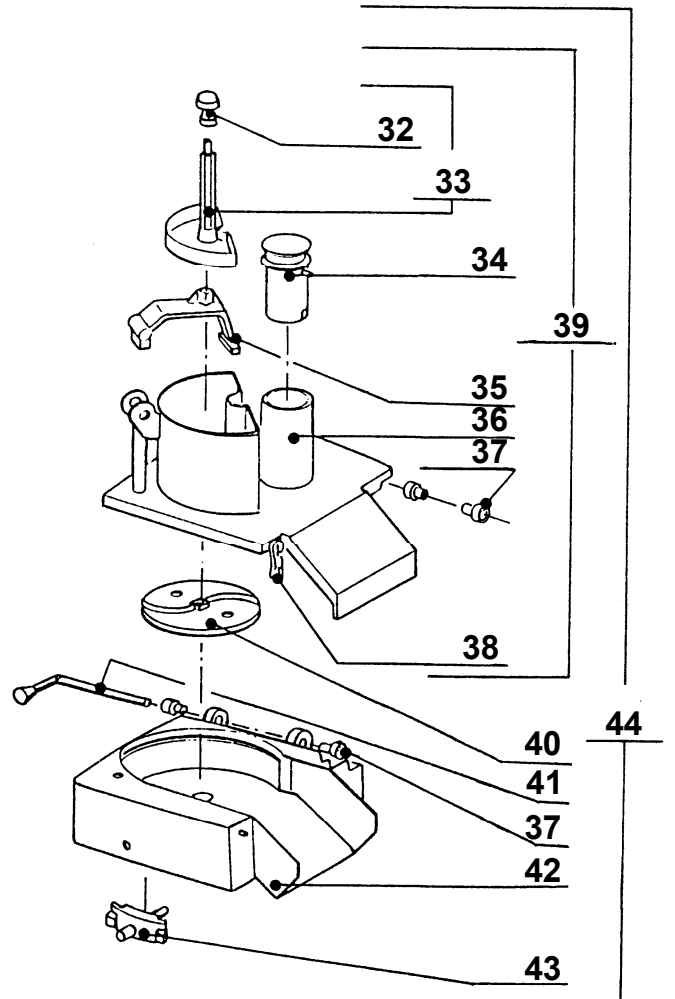
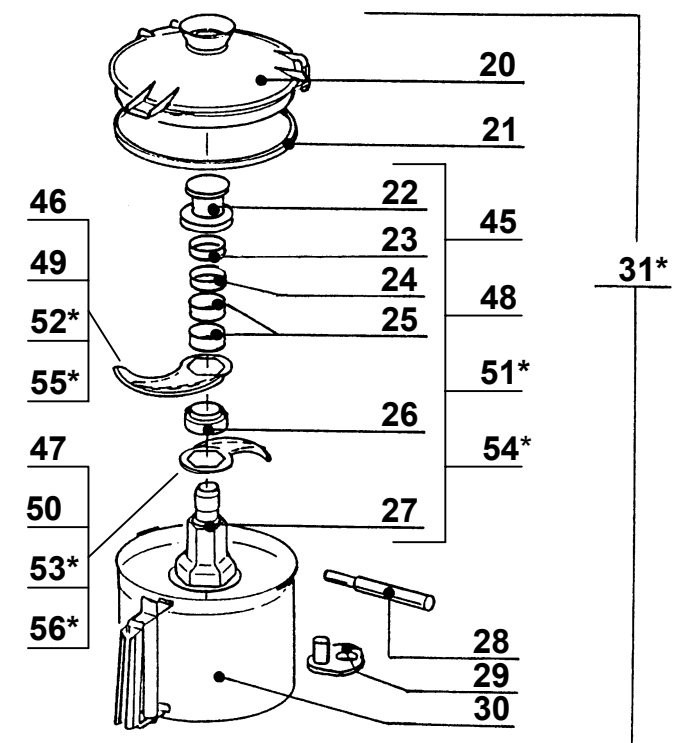
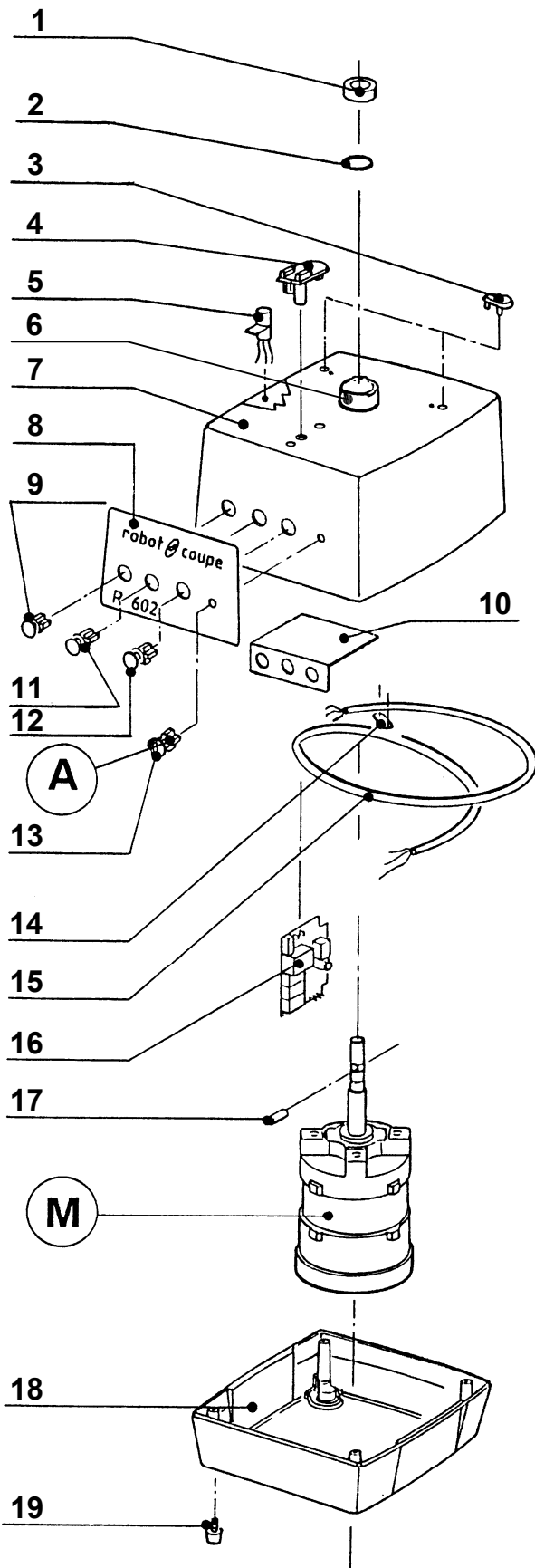
INDEX	REF.	DESIGNATION	Pricelist in : EUR
1	501624	R502/602 MOTOR SEAL	3,15
2	502670	SEAL	0,50
3	117703	R301U (C) PCB KEY	0,55
4	29533	MOUNT SPACER FOR PCB	11,95
5	29336	R502/602 BOWL SUPPORT	16,35
6	29586	R502D/R602D REED SWITCH HOLDER	25,05
7	29585	REED SWITCH VEGETABLE ASS	29,40
8	39088	SOCKET SUPPORT SEAL ASSY	64,55
9	29594	R502VV TOP CASING	423,25
10	406278	R502 VVA FRONT PLATE	9,05
11	502171	BLACK KNOB	12,45
12	502170	CL60 (D) GREEN LOW SPEED SWITCH TOP	12,45
13	502169	CL60 (D) RED SWITCH TOP	12,45
14	501947	R602VV SPEED SWITCH BLOCK	55,45
15	117073	R602VV SWITCH HANDLE	7,70
16	117706	R602 V.V. SWITCHES BOARD	12,10
17	118590	R502/602 VVA 144R BASE	21,10
18	110308	R501U SHAFT PIN MOTOR	2,00
19	29581	R602VVA BOTTOM CASE PLASTIC	101,90
20	101418	CL55 RUBBER FOOT	1,15
21	117705	R602VV AIR FLOW SEPERATOR	10,65
22	29341	R602VV LID CUTTING	74,80
23	117100	R502/602 LID SEAL	19,15
24	27120	R502 FLAT BLADE ASSEMBLY	See Price list
25	27121	R502 SERR BLADE ASSEMBLY	See Price list
26	117106	R502 CUTTER BOWL	414,50
27	27127	R502 BOWL CUTTER ATTACHMENT	See Price list
28	102021	CL50A PUSHER KNOB SPACER	4,85
29	29060	R501Ua PUSHER PLATE ASSEMBLY	81,90
30	118324	CL52D ROUND PUSHER	6,50
31	29695	R502D PUSHER ASSEMBLY	99,10
32	118376	VEG SLICER LID	148,15
33	29058	CL60 HINGE BUSH KIT	6,25
34	29501	LOCK LATCH ASSY	47,20
35	29696	CL55 PUSHER STOP ASSEMBLY	392,90
36	102690	CL50 D SLING PLATE	10,90
37	29061	CL50A HINGE PIN	18,65
38	28107	R502/602 D VEG BOWL LOCK PLATE ASS	18,30
39	29697	R502D BOWL ASSEMBLY	328,00
40	27200	MP450 COMBI FOOT ASSEMBLY	See Price list

**robot coupe®**

**R 502 V.V. D**

**Pricelist in : EUR**

N°	M	Voltage	A	B	
24318D	303009 798,55	230 / 50-60 / 1	117710 694,35	503125 15,80	
2888	303009 798,55	230 / 50-60 / 1	117710 694,35	503125 15,80	

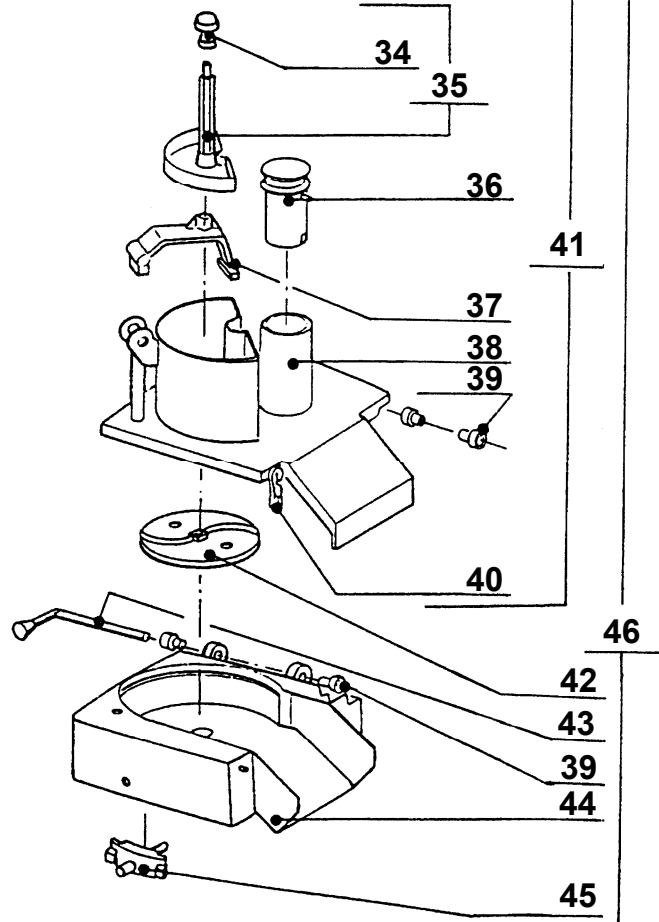
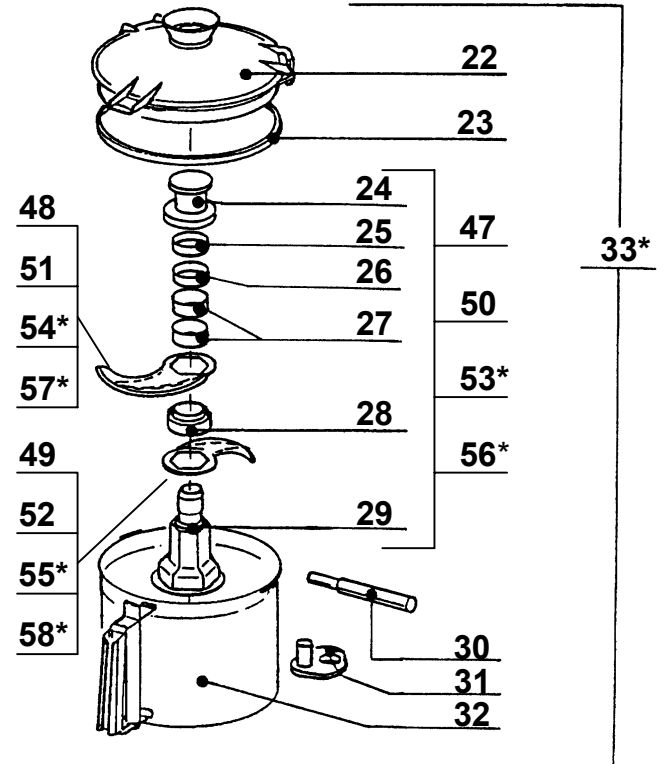
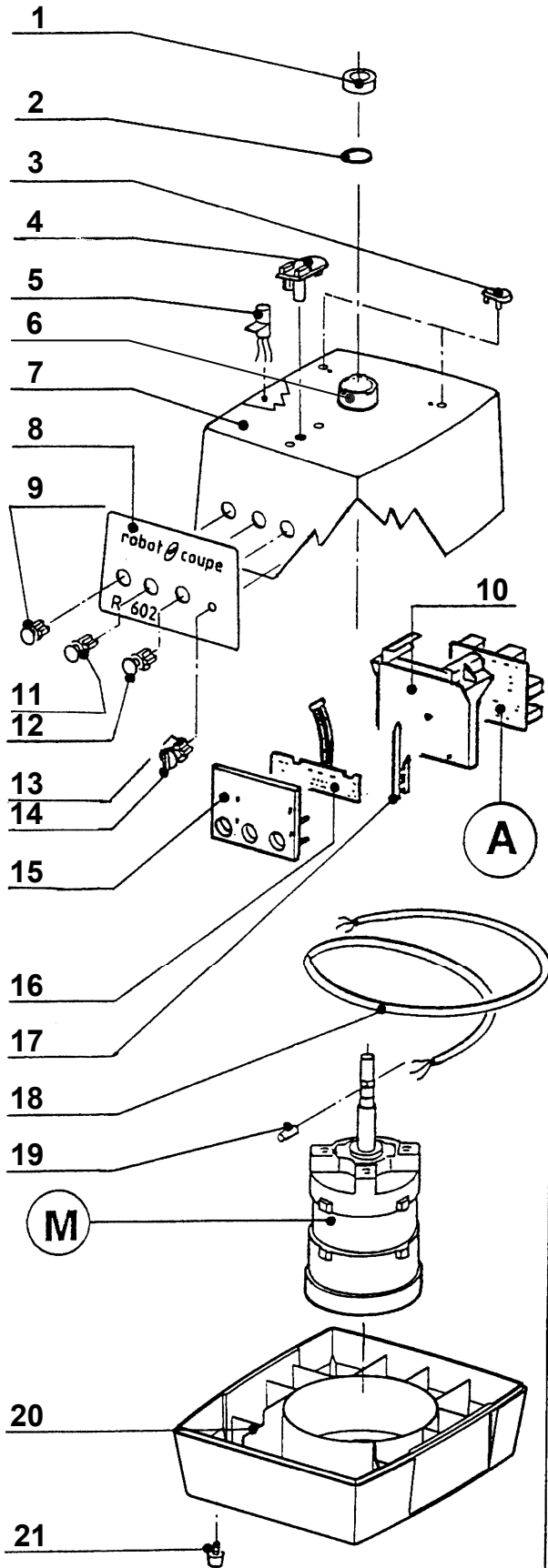


**(A)** COMMUTATOR ASS

**(M)** MOTOR

INDEX	REF.	DESIGNATION	Pricelist in : EUR
1	501624	R502/602 MOTOR SEAL	3,15
2	502670	SEAL	0,50
3	29336	R502/602 BOWL SUPPORT	16,35
4	117102	R502/602 REED SWITCH HOLDER	25,05
5	117101	R502/602 REED SWITCH	29,40
6	39088	SOCKET SUPPORT SEAL ASSY	64,55
7	29338	R602 TOP CASING	309,35
8	401546	R602 FRONT PLATE	9,05
9	502175	R502/602 BLACK SWITCH	31,85
10	117528	MYLAR PROTEC.	1,50
11	502174	R502/602 GREEN SWITCH TOP	31,85
12	502173	R502/R602 RED SWITCH	31,85
13	117072	R302 PLUS/502 SPEED SWITCH HANDLE	7,70
14	108515	POWER CORD CLIP	0,15
15	502067	POWER CORD	29,95
16	102099	R602/502 PCB 415V	130,25
17	110308	R501U SHAFT PIN MOTOR	2,00
18	29340	R502/602 BOTTOM CASE	180,15
19	101418	CL55 RUBBER FOOT	1,15
20	29341	R602/VV LID CUTTING	74,80
21	117100	R502/602 LID SEAL	19,15
22	102073	R602/VV BLADE CAP	52,15
23	117031	R602/VV 5MM BLADE SPACER PLASTIC	9,20
24	103903	SELAING SOCKET WASHER	2,25
25	117030	R602/VV 15MM BLADE SPACER S/S	14,40
26	117029	R602/VV BLADE SHAFT LOWER SPACER	32,60
27	102071	R602/VV BLADE SHAFT	114,00
28	101845	R602/VV BLADE TOOL	6,15
29	117320	BLADE DISMANTLING TOOL	2,60
30	117107	R602 CUTTER BOWL	466,60
31	27128	R602/602VV BOWL CUTTER ATTACHMENT	See Price list
32	102021	CL50A PUSHER KNOB SPACER	4,85
33	29060	R501Ua PUSHER PLATE ASSEMBLY	81,90
34	100709	CL50A PUSHER-ROUND	6,50
35	29102	R501Ua PUSHER GUIDE	99,10
36	100680	CL50A LID ONLY	148,15
37	29058	CL60 HINGE BUSH KIT	6,25
38	29066	R501U LID LOCK CLAMP-NS	47,20
39	29103	R502/602 VEGETABLE LID ASSEMBLY	392,90
40	100062	CL50A SLING PLATE	10,90
41	29061	CL50A HINGE PIN	18,65
42	29346	R502/602 VEGETABLE BOWL	328,15
43	29345	R502/602 VEG BOWL LOCK PLATE ASS	18,30
44	27129	VEGETABLE SLICER R502/602	Contact us
45	27122	STRAIGHT BLADE KNIFE D	Contact us
46	117037	BLADE UPPER	Contact us
47	117036	BLADE LOWER	Contact us
48	27123	SERRATED BLADE KNIFE D	Contact us
49	117039	BLADE UPPER	Contact us
50	117038	BLADE LOWER	Contact us
51	27124	R602/602VV BLADE ASSEMBLY FLAT	See Price list
52	117033	R602/VV FLAT BLADE UPPER	See Price list
53	117032	R602/VV FLAT BLADE LOWER	See Price list
54	27125	R602/602VV SERR BLADE ASSEMBLY	See Price list
55	117035	R602VV SERR BLADE UPPER	See Price list
56	117034	R602VV SERR BLADE LOWER	See Price list

N°	M	Voltage	A	
24129 n° sé	303019 798,55	380 / 50 / 3	501840 56,45	
24131 n° sé	303007 798,55	220 / 60 / 3	501840 56,45	
24132 n° sé	303008 847,90	220-380 / 50 / 3	501841 56,45	
24153 n° sé	301064 836,05	380 / 60 / 3	501840 56,45	
2947 n° sé	303019 798,55	380 / 50 / 3	501840 56,45	
2949 n° sé	303007 798,55	220 / 60 / 3	501840 56,45	
2950 n° sé	303008 847,90	220-380 / 50 / 3	501841 56,45	
2958 n° sé	301064 836,05	380 / 60 / 3	501840 56,45	



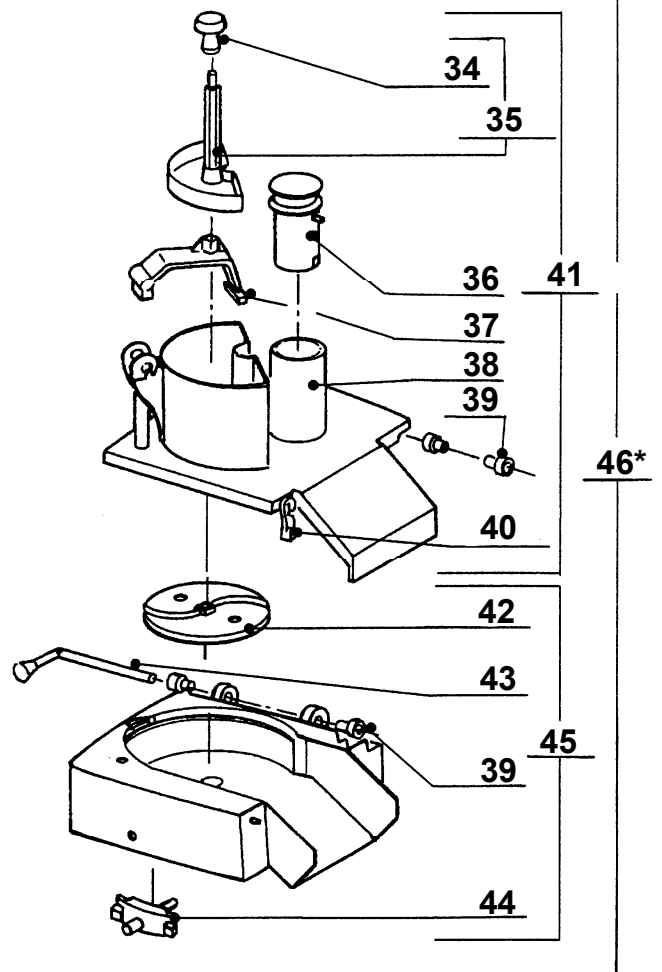
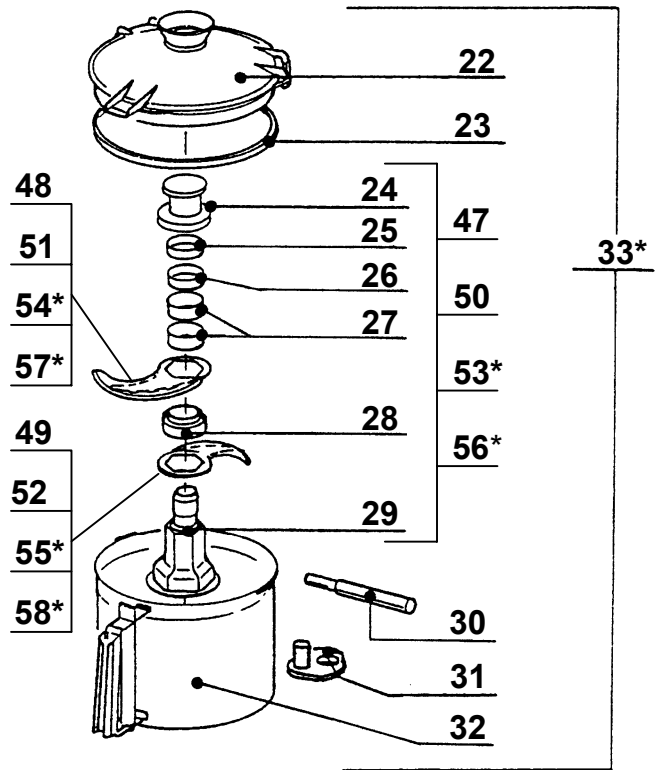
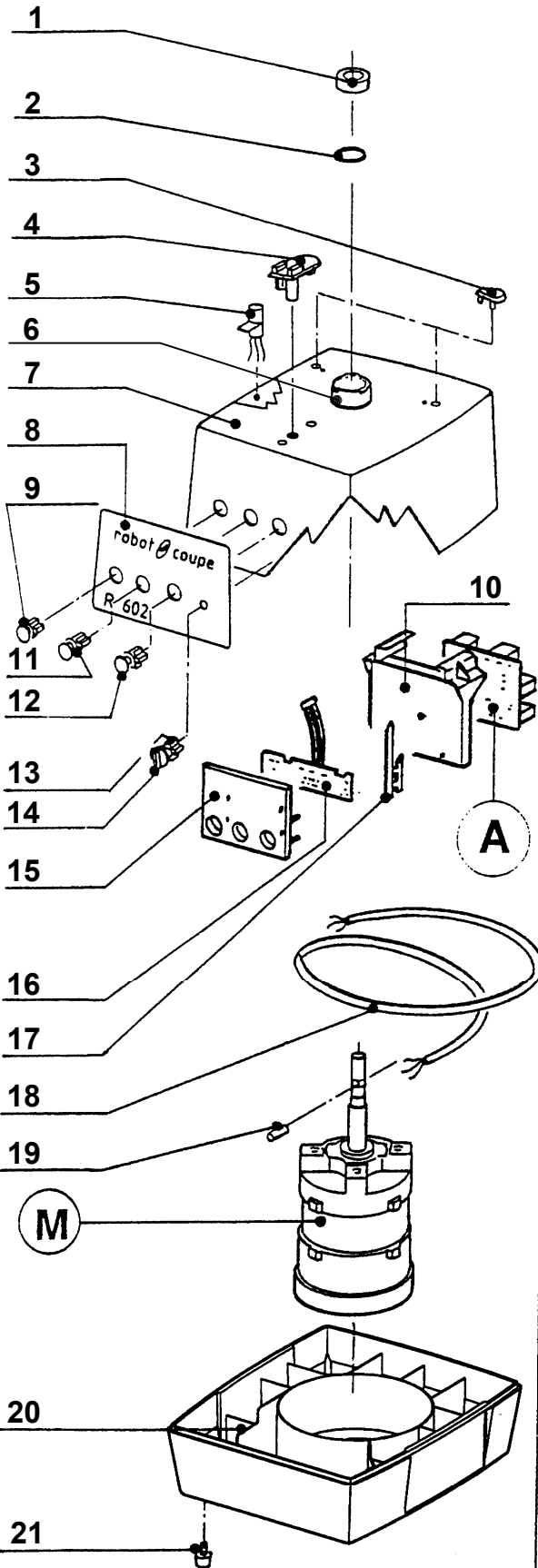
**(A)** R502A/R602A PCB

**(M)** MOTOR

INDEX	REF.	DESIGNATION	Pricelist in : EUR
1	501624	R502/602 MOTOR SEAL	3,15
2	502670	SEAL	0,50
3	29336	R502/602 BOWL SUPPORT	16,35
4	29586	R502D/R602D REED SWITCH HOLDER	25,05
5	29585	REED SWITCH VEGETABLE ASS	29,40
6	39088	SOCKET SUPPORT SEAL ASSY	64,55
7	29338	R602 TOP CASING	309,35
8	401546	R602 FRONT PLATE	9,05
9	502171	BLACK KNOB	12,45
10	117809	R502 PCB MOUNTING	5,10
11	502170	CL60 (D) GREEN LOW SPEED SWITCH TOP	12,45
12	502169	CL60 (D) RED SWITCH TOP	12,45
13	117792	R502A/602A SPEED SWITCH	7,70
14	117805	R502A/602A SPEED SWITCH HANDLE	7,70
15	29533	MOUNT SPACER FOR PCB	11,95
16	117813	BLIXER 5 PLUS SWITCH CONTROL PCB 415V	21,65
17	117703	R301U (C) PCB KEY	0,55
18	515570	POWER CORD	29,95
19	110308	R501U SHAFT PIN MOTOR	2,00
20	29620	R502A/R602A BOTTOM CASE PLASTIC	91,90
21	101418	CL55 RUBBER FOOT	1,15
22	29341	R602VV LID CUTTING	74,80
23	117100	R502/602 LID SEAL	19,15
24	102073	R602/VV BLADE CAP	52,15
25	117031	R602/VV 5MM BLADE SPACER PLASTIC	9,20
26	103903	SELAING SOCKET WASHER	2,25
27	117030	R602/VV 15MM BLADE SPACER S/S	14,40
28	117029	R602/VV BLADE SHAFT LOWER SPACER	32,60
29	102071	R602/VV BLADE SHAFT	114,00
30	101845	R602/VV BLADE TOOL	6,15
31	117320	BLADE DISMANTLING TOOL	2,60
32	117107	R602 CUTTER BOWL	466,60
33	27128	R602/602VV BOWL CUTTER ATTACHMENT	See Price list
34	102021	CL50A PUSHER KNOB SPACER	4,85
35	29060	R501Ua PUSHER PLATE ASSEMBLY	81,90
36	100709	CL50A PUSHER-ROUND	6,50
37	29102	R501Ua PUSHER GUIDE	99,10
38	100680	CL50A LID ONLY	148,15
39	29058	CL60 HINGE BUSH KIT	6,25
40	29066	R501U LID LOCK CLAMP-NS	47,20
41	29103	R502/602 VEGETABLE LID ASSEMBLY	392,90
42	100062	CL50A SLING PLATE	10,90
43	29061	CL50A HINGE PIN	18,65
44	29346	R502/602 VEGETABLE BOWL	328,15
45	29345	R502/602 VEG BOWL LOCK PLATE ASS	18,30
46	27129	VEGETABLE SLICER R502/602	Contact us
47	27122	STRAIGHT BLADE KNIFE D	Contact us
48	117037	BLADE UPPER	Contact us
49	117036	BLADE LOWER	Contact us
50	27123	SERRATED BLADE KNIFE D	Contact us
51	117039	BLADE UPPER	Contact us
52	117038	BLADE LOWER	Contact us
53	27124	R602/602VV BLADE ASSEMBLY FLAT	See Price list
54	117033	R602/VV FLAT BLADE UPPER	See Price list
55	117032	R602/VV FLAT BLADE LOWER	See Price list
56	27125	R602/602VV SERR BLADE ASSEMBLY	See Price list
57	117035	R602VV SERR BLADE UPPER	See Price list
58	117034	R602VV SERR BLADE LOWER	See Price list



N°	M	Voltage	A	
24294A n° sé	301057 807,45	380 / 60 / 3	102600 130,25	
24295A n° sé	303042 798,55	400 / 50 / 3	102600 130,25	
24297A n° sé	303055 798,55	220 / 60 / 3	102600 130,25	
2842 n° sé	301057 807,45	380 / 60 / 3	102600 130,25	
2843 n° sé	303042 798,55	400 / 50 / 3	102600 130,25	
2845 n° sé	303055 798,55	220 / 60 / 3	102600 130,25	



**(A)** 230/50-60/1 VARIATOR WITH FILTER

**(B)** 3X1,5 MM<sup>2</sup> POWER CORD

**(M)** MOTOR

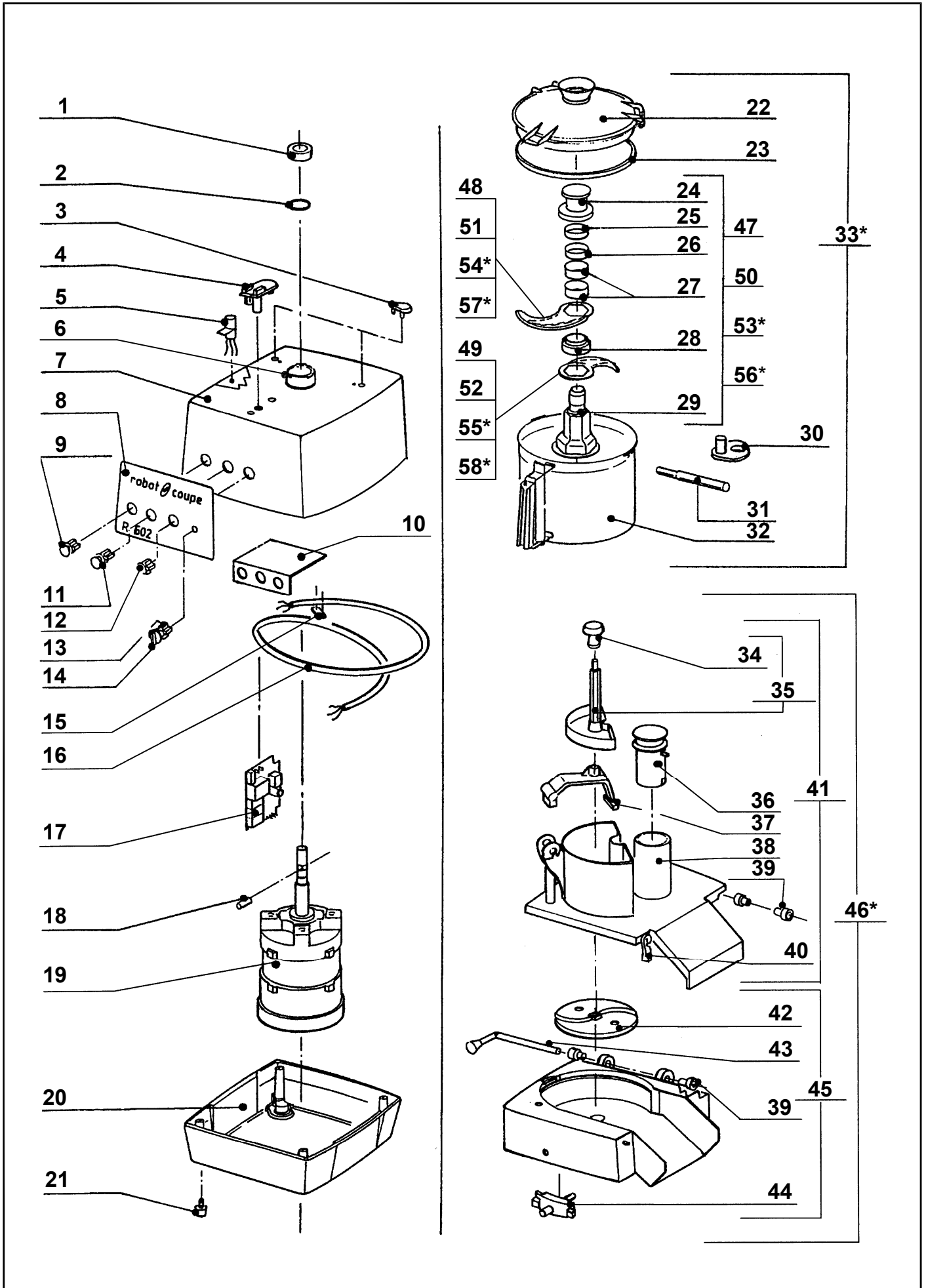
INDEX	REF.	DESIGNATION	Pricelist in : EUR
1	501624	R502/602 MOTOR SEAL	3,15
2	502670	SEAL	0,50
3	29336	R502/602 BOWL SUPPORT	16,35
4	29586	R502D/R602D REED SWITCH HOLDER	25,05
5	29585	REED SWITCH VEGETABLE ASS	29,40
6	39088	SOCKET SUPPORT SEAL ASSY	64,55
7	29338	R602 TOP CASING	309,35
8	401546	R602 FRONT PLATE	9,05
9	502171	BLACK KNOB	12,45
10	117809	R502 PCB MOUNTING	5,10
11	502170	CL60 (D) GREEN LOW SPEED SWITCH TOP	12,45
12	502169	CL60 (D) RED SWITCH TOP	12,45
13	117792	R502A/602A SPEED SWITCH	7,70
14	117805	R502A/602A SPEED SWITCH HANDLE	7,70
15	29533	MOUNT SPACER FOR PCB	11,95
16	117813	BLIXER 5 PLUS SWITCH CONTROL PCB 415V	21,65
17	117703	R301U (C) PCB KEY	0,55
18	515570	POWER CORD	29,95
19	110308	R501U SHAFT PIN MOTOR	2,00
20	29620	R502A/R602A BOTTOM CASE PLASTIC	91,90
21	101418	CL55 RUBBER FOOT	1,15
22	29341	R602VV LID CUTTING	74,80
23	117100	R502/602 LID SEAL	19,15
24	102073	R602/VV BLADE CAP	52,15
25	117031	R602/VV 5MM BLADE SPACER PLASTIC	9,20
26	103903	SELAING SOCKET WASHER	2,25
27	117030	R602/VV 15MM BLADE SPACER S/S	14,40
28	117029	R602/VV BLADE SHAFT LOWER SPACER	32,60
29	102071	R602/VV BLADE SHAFT	114,00
30	101845	R602/VV BLADE TOOL	6,15
31	117320	BLADE DISMANTLING TOOL	2,60
32	117107	R602 CUTTER BOWL	466,60
33	27128	R602/602VV BOWL CUTTER ATTACHMENT	See Price list
34	102021	CL50A PUSHER KNOB SPACER	4,85
35	29060	R501Ua PUSHER PLATE ASSEMBLY	81,90
36	118324	CL52D ROUND PUSHER	6,50
37	29695	R502D PUSHER ASSEMBLY	99,10
38	118376	VEG SLICER LID	148,15
39	29058	CL60 HINGE BUSH KIT	6,25
40	29501	LOCK LATCH ASSY	47,20
41	29696	CL55 PUSHER STOP ASSEMBLY	392,90
42	102690	CL50 D SLING PLATE	10,90
43	29061	CL50A HINGE PIN	18,65
44	28107	R502/602 D VEG BOWL LOCK PLATE ASS	18,30
45	29697	R502D BOWL ASSEMBLY	328,00
46	27200	MP450 COMBI FOOT ASSEMBLY	See Price list
47	27122	STRAIGHT BLADE KNIFE D	Contact us
48	117037	BLADE UPPER	Contact us
49	117036	BLADE LOWER	Contact us
50	27123	SERRATED BLADE KNIFE D	Contact us
51	117039	BLADE UPPER	Contact us
52	117038	BLADE LOWER	Contact us
53	27124	R602/602VV BLADE ASSEMBLY FLAT	See Price list
54	117033	R602/VV FLAT BLADE UPPER	See Price list
55	117032	R602/VV FLAT BLADE LOWER	See Price list
56	27125	R602/602VV SERR BLADE ASSEMBLY	See Price list
57	117035	R602VV SERR BLADE UPPER	See Price list
58	117034	R602VV SERR BLADE LOWER	See Price list

robot coupe®

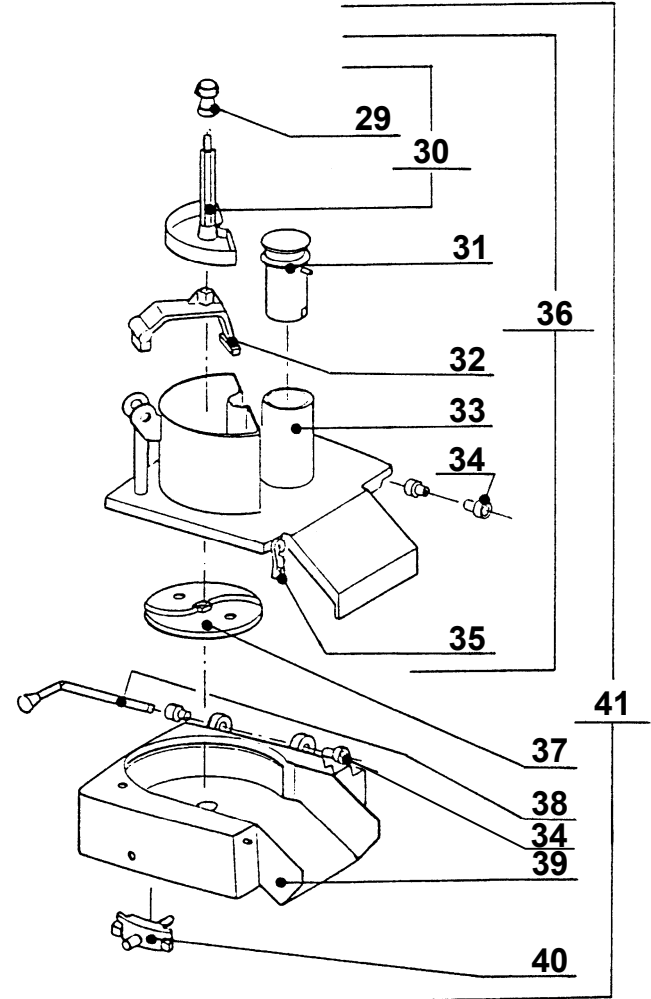
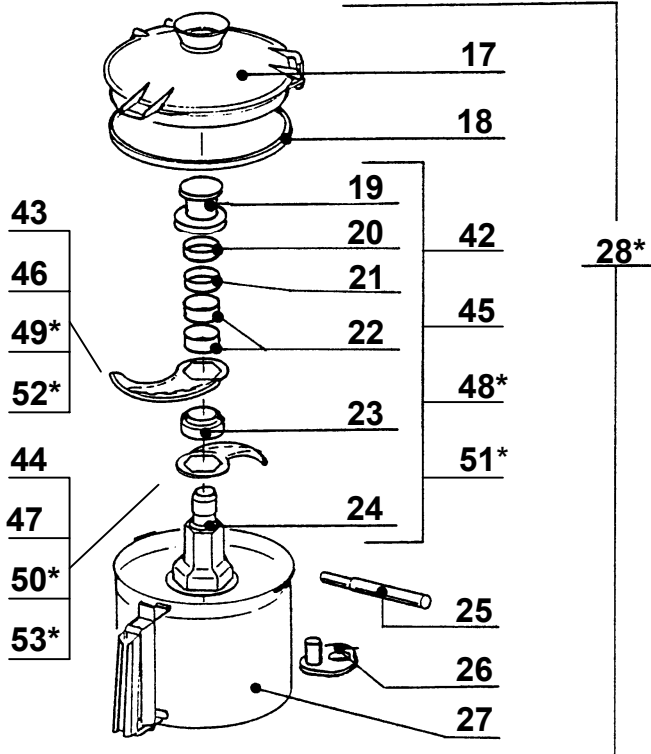
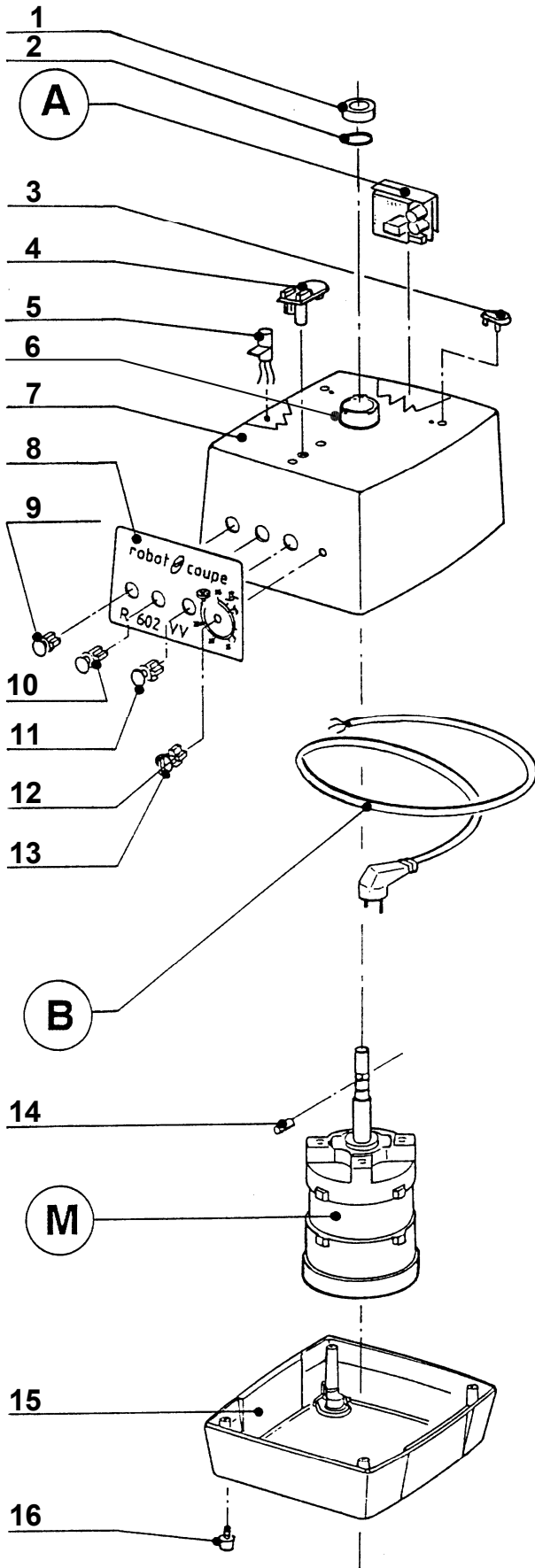
R 602 D

Pricelist in : EUR

N°	M	Voltage	A	B	
24294D	301057 807,45	380 / 60 / 3	102600 130,25	---	
24295D	303042 798,55	400 / 50 / 3	102600 130,25	---	
24297D	303055 798,55	220 / 60 / 3	102600 130,25	---	
24298D	303113 887,75	230/400 / 50 / 3	112600 133,15	---	
2846	303113 887,75	230/400 / 50 / 3	112600 133,15	---	
2881	301057 807,45	380 / 60 / 3	102600 130,25	---	
2882	303042 798,55	380 / 50 / 3	102600 130,25	---	
2884	303055 798,55	220 / 60 / 3	102600 130,25	---	



INDEX	REF.	DESIGNATION	Pricelist in : EUR
1	501624	R502/602 MOTOR SEAL	3,15
2	502670	SEAL	0,50
3	29336	R502/602 BOWL SUPPORT	16,35
4	117102	R502/602 REED SWITCH HOLDER	25,05
5	117101	R502/602 REED SWITCH	29,40
6	39088	SOCKET SUPPORT SEAL ASSY	64,55
7	29339	R502 TOP CASE	309,35
8	401546	R602 FRONT PLATE	9,05
9	502175	R502/602 BLACK SWITCH	31,85
10	117528	MYLAR PROTEC.	1,50
11	502174	R502/602 GREEN SWITCH TOP	31,85
12	502173	R502/R602 RED SWITCH	31,85
13	501841	COMMUTATOR ASS	56,45
14	117072	R302 PLUS/502 SPEED SWITCH HANDLE	7,70
15	108515	POWER CORD CLIP	0,15
16	502067	POWER CORD	29,95
17	102099	R602/502 PCB 415V	130,25
18	110308	R501U SHAFT PIN MOTOR	2,00
19	303008	MOTOR	847,90
20	29340	R502/602 BOTTOM CASE	180,15
21	101418	CL55 RUBBER FOOT	1,15
22	29341	R602VV LID CUTTING	74,80
23	117100	R502/602 LID SEAL	19,15
24	102073	R602/VV BLADE CAP	52,15
25	117031	R602/VV 5MM BLADE SPACER PLASTIC	9,20
26	103903	SELAING SOCKET WASHER	2,25
27	117030	R602/VV 15MM BLADE SPACER S/S	14,40
28	117029	R602/VV BLADE SHAFT LOWER SPACER	32,60
29	102071	R602/VV BLADE SHAFT	114,00
30	117320	BLADE DISMANTLING TOOL	2,60
31	101845	R602/VV BLADE TOOL	6,15
32	117107	R602 CUTTER BOWL	466,60
33	27128	R602/602VV BOWL CUTTER ATTACHMENT	See Price list
34	102021	CL50A PUSHER KNOB SPACER	4,85
35	29060	R501Ua PUSHER PLATE ASSEMBLY	81,90
36	118324	CL52D ROUND PUSHER	6,50
37	29695	R502D PUSHER ASSEMBLY	99,10
38	118376	VEG SLICER LID	148,15
39	29058	CL60 HINGE BUSH KIT	6,25
40	29501	LOCK LATCH ASSY	47,20
41	29696	CL55 PUSHER STOP ASSEMBLY	392,90
42	102690	CL50 D SLING PLATE	10,90
43	29061	CL50A HINGE PIN	18,65
44	28107	R502/602 D VEG BOWL LOCK PLATE ASS	18,30
45	29697	R502D BOWL ASSEMBLY	328,00
46	27200	MP450 COMBI FOOT ASSEMBLY	See Price list
47	27122	STRAIGHT BLADE KNIFE D	Contact us
48	117037	BLADE UPPER	Contact us
49	117036	BLADE LOWER	Contact us
50	27123	SERRATED BLADE KNIFE D	Contact us
51	117039	BLADE UPPER	Contact us
52	117038	BLADE LOWER	Contact us
53	27124	R602/602VV BLADE ASSEMBLY FLAT	See Price list
54	117033	R602/VV FLAT BLADE UPPER	See Price list
55	117032	R602/VV FLAT BLADE LOWER	See Price list
56	27125	R602/602VV SERR BLADE ASSEMBLY	See Price list
57	117035	R602VV SERR BLADE UPPER	See Price list
58	117034	R602VV SERR BLADE LOWER	See Price list



- (A)** R602VV VARIATOR N/S
- (B)** 3X1,5<sup>2</sup> UK POWER CORD
- (M)** R602VV MOTOR 240V 50HZ

INDEX	REF.	DESIGNATION	Pricelist in : EUR
1	501624	R502/602 MOTOR SEAL	3,15
2	502670	SEAL	0,50
3	29336	R502/602 BOWL SUPPORT	16,35
4	29870	R2+/BX5+ CUT SWITCH ASSY	25,05
5	29591	R602VV VEG-SL SWITCH ASSY	30,75
6	39088	SOCKET SUPPORT SEAL ASSY	64,55
7	29349	MOTOR SUPPORT ASS	423,25
8	401566	R602 V.V. FRONT PLATE	9,05
9	502175	R502/602 BLACK SWITCH	31,85
10	502174	R502/602 GREEN SWITCH TOP	31,85
11	502173	R502/R602 RED SWITCH	31,85
12	501947	R602VV SPEED SWITCH BLOCK	55,45
13	117073	R602VV SWITCH HANDLE	7,70
14	110308	R501U SHAFT PIN MOTOR	2,00
15	29352	BASE ASS	243,15
16	101418	CL55 RUBBER FOOT	1,15
17	29341	R602VV LID CUTTING	74,80
18	117100	R502/602 LID SEAL	19,15
19	102073	R602/VV BLADE CAP	52,15
20	117031	R602/VV 5MM BLADE SPACER PLASTIC	9,20
21	103903	SELAING SOCKET WASHER	2,25
22	117030	R602/VV 15MM BLADE SPACER S/S	14,40
23	117029	R602/VV BLADE SHAFT LOWER SPACER	32,60
24	102071	R602/VV BLADE SHAFT	114,00
25	101845	R602/VV BLADE TOOL	6,15
26	117320	BLADE DISMANTLING TOOL	2,60
27	117107	R602 CUTTER BOWL	466,60
28	27128	R602/602VV BOWL CUTTER ATTACHMENT	See Price list
29	102021	CL50A PUSHER KNOB SPACER	4,85
30	29060	R501Ua PUSHER PLATE ASSEMBLY	81,90
31	100709	CL50A PUSHER-ROUND	6,50
32	29102	R501Ua PUSHER GUIDE	99,10
33	100680	CL50A LID ONLY	148,15
34	29058	CL60 HINGE BUSH KIT	6,25
35	29066	R501U LID LOCK CLAMP-NS	47,20
36	29103	R502/602 VEGETABLE LID ASSEMBLY	392,90
37	100062	CL50A SLING PLATE	10,90
38	29061	CL50A HINGE PIN	18,65
39	29346	R502/602 VEGETABLE BOWL	328,15
40	29345	R502/602 VEG BOWL LOCK PLATE ASS	18,30
41	27129	VEGETABLE SLICER R502/602	Contact us
42	27122	STRAIGHT BLADE KNIFE D	Contact us
43	117037	BLADE UPPER	Contact us
44	117036	BLADE LOWER	Contact us
45	27123	SERRATED BLADE KNIFE D	Contact us
46	117039	BLADE UPPER	Contact us
47	117038	BLADE LOWER	Contact us
48	27124	R602/602VV BLADE ASSEMBLY FLAT	See Price list
49	117033	R602/VV FLAT BLADE UPPER	See Price list
50	117032	R602/VV FLAT BLADE LOWER	See Price list
51	27125	R602/602VV SERR BLADE ASSEMBLY	See Price list
52	117035	R602VV SERR BLADE UPPER	See Price list
53	117034	R602VV SERR BLADE LOWER	See Price list

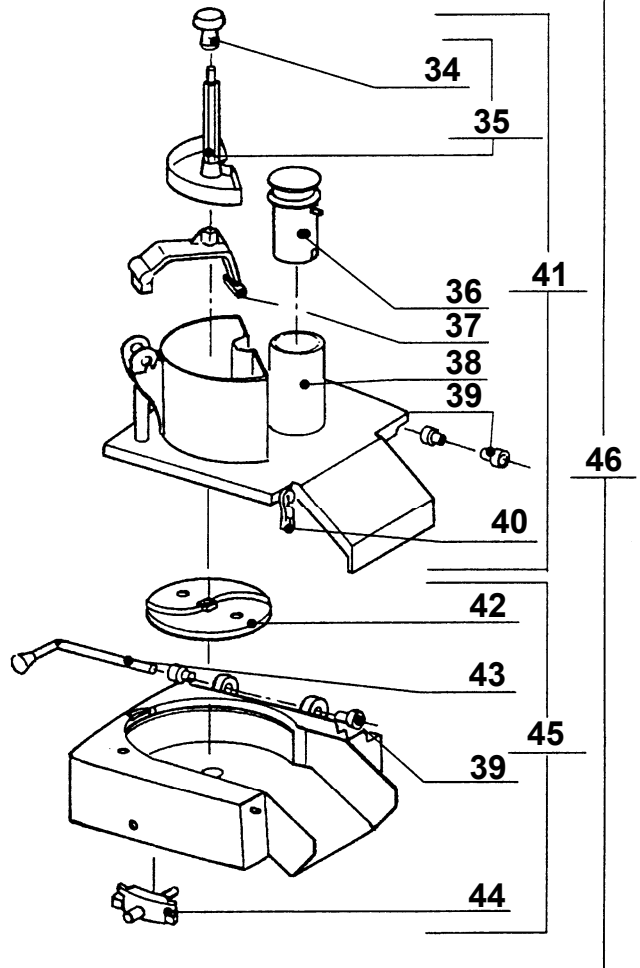
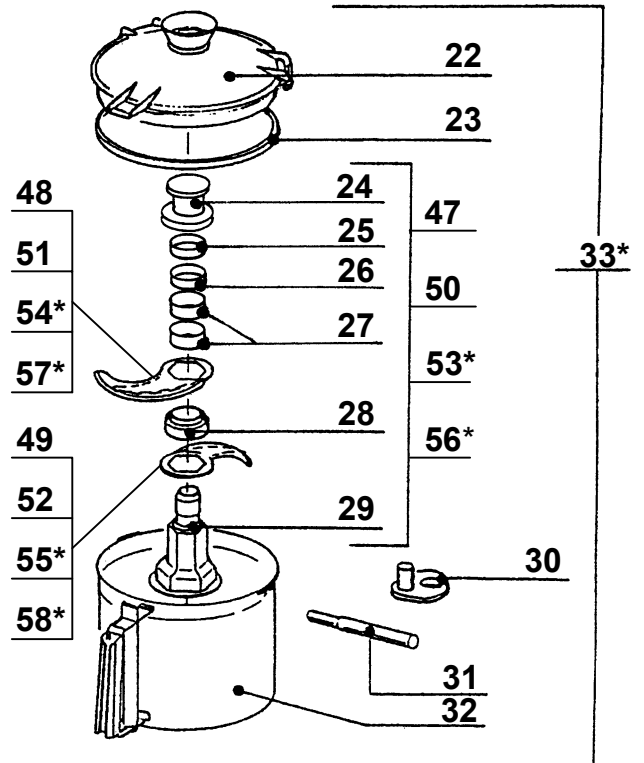
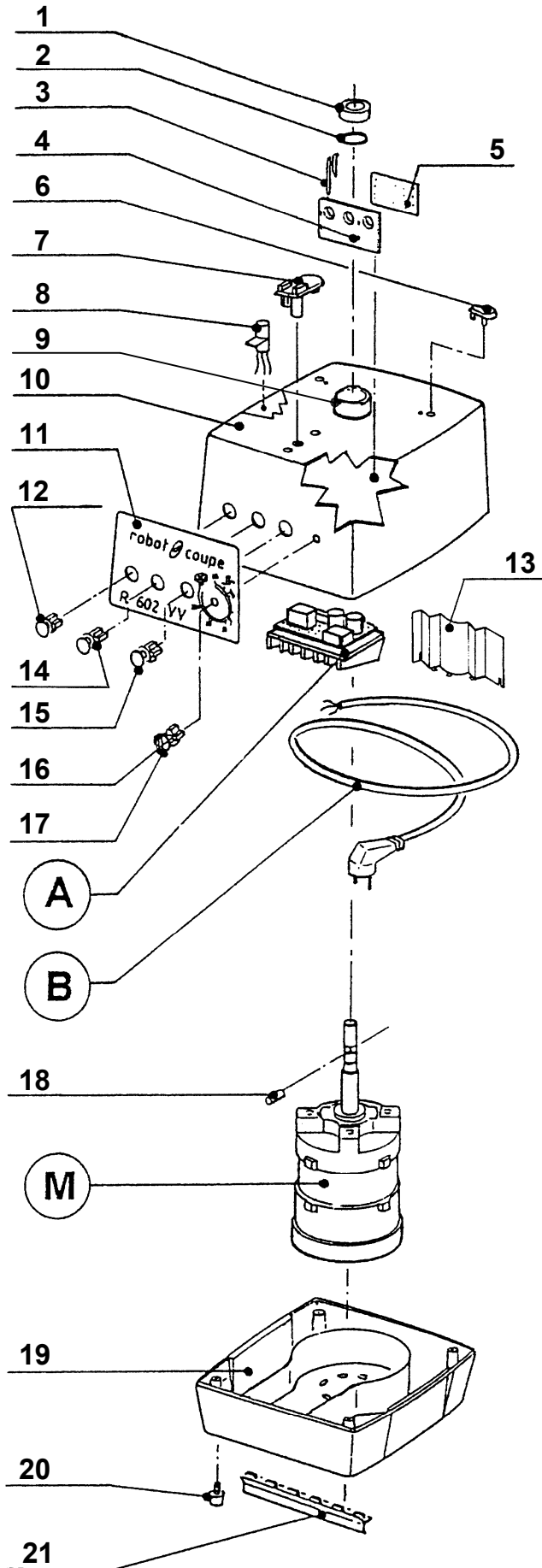


**robot coupe®**

**R 602 V.V.**

**Pricelist in : EUR**

N°	M	Voltage	A	B	
24133	303009 798,55	220-240 / 50-60 / 1	117590 694,35	502688 12,10	
2951	303009 798,55	220-240 / 50-60 / 1	117590 694,35	502688 12,10	



- (A)** 230/50-60/1 VARIATOR WITH FILTER
- (B)** POWER CORD
- (M)** R602VV MOTOR 240V 50HZ

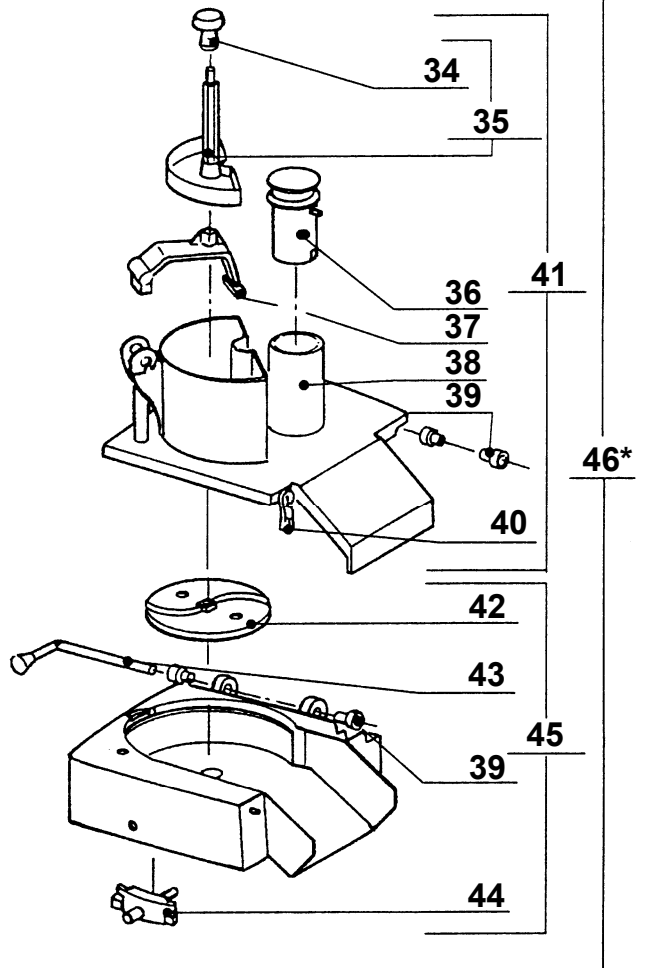
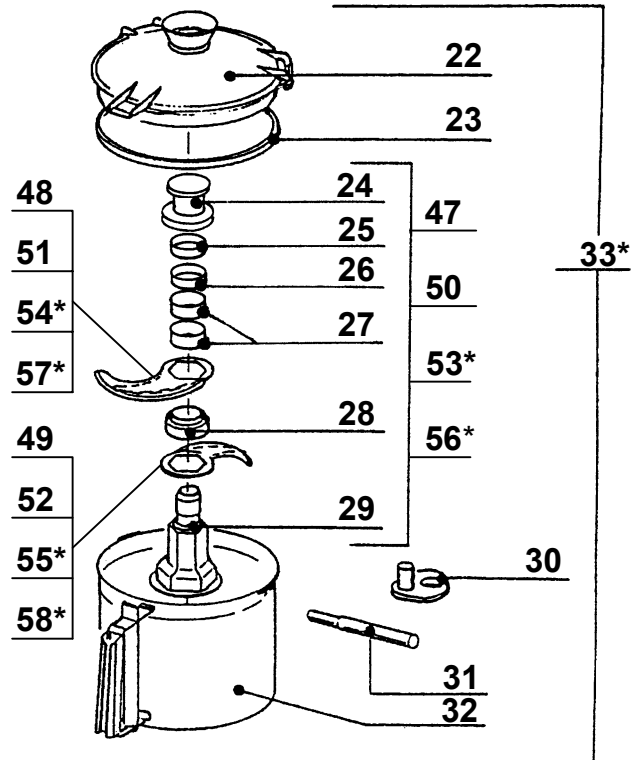
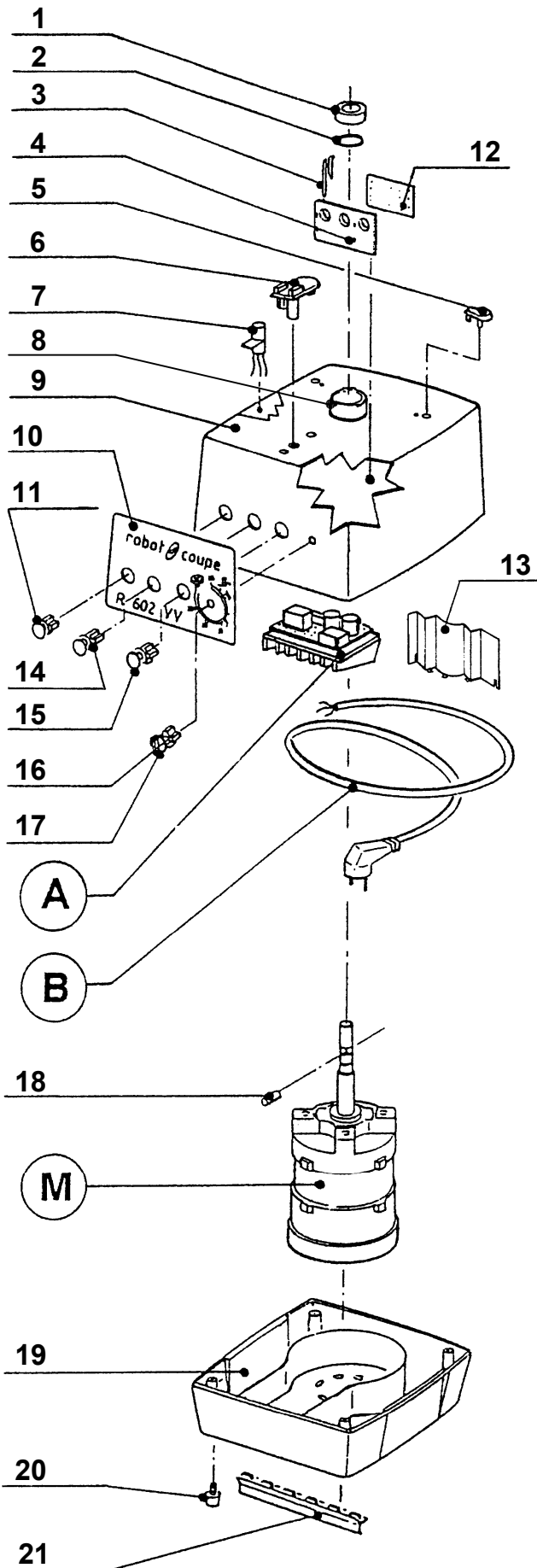
INDEX	REF.	DESIGNATION	Pricelist in : EUR
1	501624	R502/602 MOTOR SEAL	3,15
2	502670	SEAL	0,50
3	117703	R301U (C) PCB KEY	0,55
4	29533	MOUNT SPACER FOR PCB	11,95
5	29336	R502/602 BOWL SUPPORT	16,35
6	29586	R502D/R602D REED SWITCH HOLDER	25,05
7	29585	REED SWITCH VEGETABLE ASS	29,40
8	39088	SOCKET SUPPORT SEAL ASSY	64,55
9	29582	R602VVA TOP CASING	423,25
10	401566	R602 V.V. FRONT PLATE	9,05
11	502171	BLACK KNOB	12,45
12	117706	R602 V.V. SWITCHES BOARD	12,10
13	118590	R502/602 VVA 144R BASE	21,10
14	502170	CL60 (D) GREEN LOW SPEED SWITCH TOP	12,45
15	502169	CL60 (D) RED SWITCH TOP	12,45
16	501947	R602VV SPEED SWITCH BLOCK	55,45
17	117073	R602VV SWITCH HANDLE	7,70
18	110308	R501U SHAFT PIN MOTOR	2,00
19	29581	R602VVA BOTTOM CASE PLASTIC	101,90
20	101418	CL55 RUBBER FOOT	1,15
21	117705	R602VV AIR FLOW SEPERATOR	10,65
22	29341	R602VV LID CUTTING	74,80
23	117100	R502/602 LID SEAL	19,15
24	102073	R602/VV BLADE CAP	52,15
25	117031	R602/VV 5MM BLADE SPACER PLASTIC	9,20
26	103903	SELAING SOCKET WASHER	2,25
27	117030	R602/VV 15MM BLADE SPACER S/S	14,40
28	117029	R602/VV BLADE SHAFT LOWER SPACER	32,60
29	102071	R602/VV BLADE SHAFT	114,00
30	117320	BLADE DISMANTLING TOOL	2,60
31	101845	R602/VV BLADE TOOL	6,15
32	117107	R602 CUTTER BOWL	466,60
33	27128	R602/602VV BOWL CUTTER ATTACHMENT	See Price list
34	102021	CL50A PUSHER KNOB SPACER	4,85
35	29060	R501Ua PUSHER PLATE ASSEMBLY	81,90
36	118324	CL52D ROUND PUSHER	6,50
37	29695	R502D PUSHER ASSEMBLY	99,10
38	118376	VEG SLICER LID	148,15
39	29058	CL60 HINGE BUSH KIT	6,25
40	29501	LOCK LATCH ASSY	47,20
41	29696	CL55 PUSHER STOP ASSEMBLY	392,90
42	102690	CL50 D SLING PLATE	10,90
43	29061	CL50A HINGE PIN	18,65
44	28107	R502/602 D VEG BOWL LOCK PLATE ASS	18,30
45	29697	R502D BOWL ASSEMBLY	328,00
46	27200	MP450 COMBI FOOT ASSEMBLY	See Price list
47	27122	STRAIGHT BLADE KNIFE D	Contact us
48	117037	BLADE UPPER	Contact us
49	117036	BLADE LOWER	Contact us
50	27123	SERRATED BLADE KNIFE D	Contact us
51	117039	BLADE UPPER	Contact us
52	117038	BLADE LOWER	Contact us
53	27124	R602/602VV BLADE ASSEMBLY FLAT	See Price list
54	117033	R602/VV FLAT BLADE UPPER	See Price list
55	117032	R602/VV FLAT BLADE LOWER	See Price list
56	27125	R602/602VV SERR BLADE ASSEMBLY	See Price list
57	117035	R602VV SERR BLADE UPPER	See Price list
58	117034	R602VV SERR BLADE LOWER	See Price list

**robot coupe**

**R 602 V.V. A**

**Pricelist in : EUR**

N°	M	Voltage	A	B	
24301A	303009 798,55	230 / 50-60 / 1	117710 694,35	503125 15,80	
2823	303009 798,55	230 / 50-60 / 1	117710 694,35	503125 15,80	



**(A)** 230/50-60/1 VARIATOR WITH FILTER

**(B)** 3X1,5 MM<sup>2</sup> POWER CORD

**(M)** R602VV MOTOR 240V 50HZ

INDEX	REF.	DESIGNATION	Pricelist in : EUR
1	501624	R502/602 MOTOR SEAL	3,15
2	502670	SEAL	0,50
3	117703	R301U (C) PCB KEY	0,55
4	29533	MOUNT SPACER FOR PCB	11,95
5	29336	R502/602 BOWL SUPPORT	16,35
6	29586	R502D/R602D REED SWITCH HOLDER	25,05
7	29585	REED SWITCH VEGETABLE ASS	29,40
8	39088	SOCKET SUPPORT SEAL ASSY	64,55
9	29582	R602VVA TOP CASING	423,25
10	401566	R602 V.V. FRONT PLATE	9,05
11	502171	BLACK KNOB	12,45
12	117706	R602 V.V. SWITCHES BOARD	12,10
13	118590	R502/602 VVA 144R BASE	21,10
14	502170	CL60 (D) GREEN LOW SPEED SWITCH TOP	12,45
15	502169	CL60 (D) RED SWITCH TOP	12,45
16	501947	R602VV SPEED SWITCH BLOCK	55,45
17	117073	R602VV SWITCH HANDLE	7,70
18	110308	R501U SHAFT PIN MOTOR	2,00
19	29581	R602VVA BOTTOM CASE PLASTIC	101,90
20	101418	CL55 RUBBER FOOT	1,15
21	117705	R602VV AIR FLOW SEPERATOR	10,65
22	29341	R602VV LID CUTTING	74,80
23	117100	R502/602 LID SEAL	19,15
24	102073	R602/VV BLADE CAP	52,15
25	117031	R602/VV 5MM BLADE SPACER PLASTIC	9,20
26	103903	SELAING SOCKET WASHER	2,25
27	117030	R602/VV 15MM BLADE SPACER S/S	14,40
28	117029	R602/VV BLADE SHAFT LOWER SPACER	32,60
29	102071	R602/VV BLADE SHAFT	114,00
30	117320	BLADE DISMANTLING TOOL	2,60
31	101845	R602/VV BLADE TOOL	6,15
32	117107	R602 CUTTER BOWL	466,60
33	27128	R602/602VV BOWL CUTTER ATTACHMENT	See Price list
34	102021	CL50A PUSHER KNOB SPACER	4,85
35	29060	R501Ua PUSHER PLATE ASSEMBLY	81,90
36	118324	CL52D ROUND PUSHER	6,50
37	29695	R502D PUSHER ASSEMBLY	99,10
38	118376	VEG SLICER LID	148,15
39	29058	CL60 HINGE BUSH KIT	6,25
40	29501	LOCK LATCH ASSY	47,20
41	29696	CL55 PUSHER STOP ASSEMBLY	392,90
42	102690	CL50 D SLING PLATE	10,90
43	29061	CL50A HINGE PIN	18,65
44	28107	R502/602 D VEG BOWL LOCK PLATE ASS	18,30
45	29697	R502D BOWL ASSEMBLY	328,00
46	27200	MP450 COMBI FOOT ASSEMBLY	See Price list
47	27122	STRAIGHT BLADE KNIFE D	Contact us
48	117037	BLADE UPPER	Contact us
49	117036	BLADE LOWER	Contact us
50	27123	SERRATED BLADE KNIFE D	Contact us
51	117039	BLADE UPPER	Contact us
52	117038	BLADE LOWER	Contact us
53	27124	R602/602VV BLADE ASSEMBLY FLAT	See Price list
54	117033	R602/VV FLAT BLADE UPPER	See Price list
55	117032	R602/VV FLAT BLADE LOWER	See Price list
56	27125	R602/602VV SERR BLADE ASSEMBLY	See Price list
57	117035	R602VV SERR BLADE UPPER	See Price list
58	117034	R602VV SERR BLADE LOWER	See Price list

**robot coupe®**

**R 602 V.V. D**

**Pricelist in : EUR**

N°	M	Voltage	A	B	
24301D bloc	303009 798,55	230 / 50-60 / 1	117710 694,35	503125 15,80	
24321D bloc	303009 798,55	230 / 50-60 / 1	117710 694,35	503685 10,00	
2878	303009 798,55	230 / 50-60 / 1	117710 694,35	503125 15,80	





- (A)** CIRCUIT BOARD
- (B)** BLIXER 4 NAME PLATE
- (C)** ON/OFF SWITCH
- (D)** R301 MOTOR DEFLECTOR
- (E)** R301 MOTOR STABILISER CONE
- (F)** R301 BOTTOM CASING
- (G)** POWER CORD
- (M)** MOTOR
- (X)** CAPACITOR
- (Y)** MOTOR RELAY

INDEX	REF.	DESIGNATION	Pricelist in : EUR
2	29922	Veg Lid Assembly	130,75
3	29880	R301C Large Pusher Assy	44,60
4	102021	CL50A PUSHER KNOB SPACER	4,85
5	103703	R301C LARGE PUSHER	41,15
6	118324	CL52D ROUND PUSHER	6,50
7	29921	R301U (C) PUSHER GUIDE	35,55
8	103540	R301C LARGE PUSHER PIVOT PIN ASSY	13,30
9	103534	R301C VEG'PREP LID	48,30
10	100954	R301U SLING PLATE	12,40
11	100951	VEGETABLE SLICER BOWL	144,10
12	100082	R301U DRIVE SHAFT	13,80
13	100096	(C) Spacer R300,R301U Series C	1,05
14	100084	R301U DRIVE SHAFT COLLAR	1,65
15	39358	R301U REED SW/SOCKET ASSEMBLY	4,55
16	130240	R301 TOP CASING	71,75
18	29157	R301U PUSHER PLATE ASSEMBLY	44,65
19	100953	R301U N VEGET.PUSHER (N)	41,70
20	102021	CL50A PUSHER KNOB SPACER	4,85
21	100955	R301U VEGETABLE PUSHER	6,10
22	100950	R301U VEGETABLE LID ONLY	48,40
23	100952	R301U PUSHER GUIDE	16,20
24	203011	R301U HINGE CLIP	1,10
25	100963	R301U HINGE	13,60
26	101054	PUSHER GUIDE SPRING	3,75
27	125257	R301 BOLT COVER	0,60
28	29083	R301U MOTOR SUPPORT SCREW SET	5,75
29	100580	R301 MOTOR SHAFT COVER	2,60
30	500467	R301 MOTOR SEAL 12x22x4.5	1,30
31	125290	R301 VENT COVER	2,55
32	130141	R301 STABILIZER RUBBER	1,70
33	108515	POWER CORD CLIP	0,15
34	100642	R301 RUBBER FOOT	0,15
35	508706	R301 CABLE GROMMET	1,80

**robot coupe®**

**CL-R 301**

**Pricelist in : EUR**

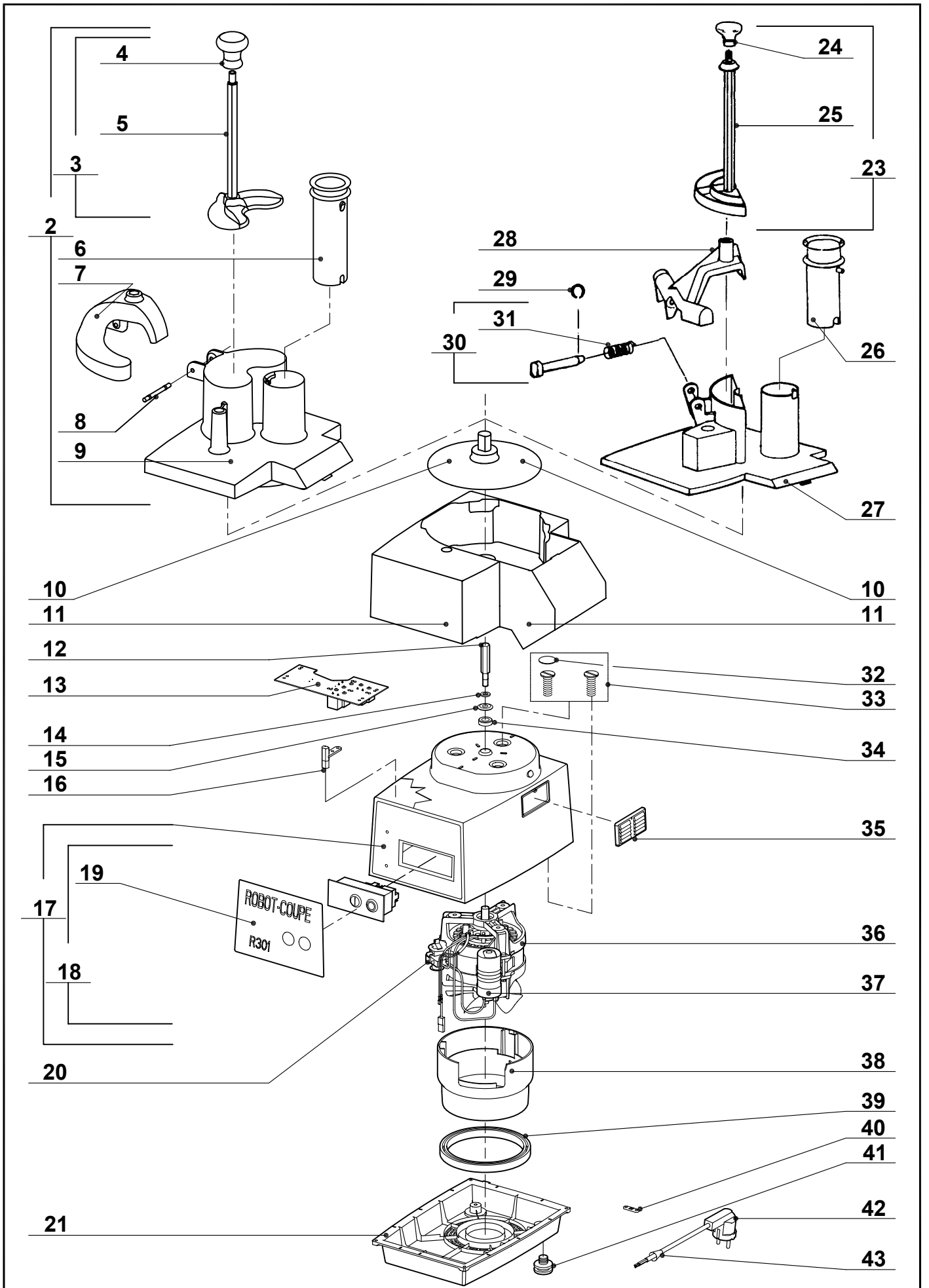
N°	M	Voltage	A	B	C	D	E	F	G	
22012	3041 200,70	220 / 50 / 1	39003 115,00	415712 7,60	509091 60,10	125136 8,60	127578 3,50	29243 17,15	507322 10,00	
22014	3049 200,70	115 / 60 / 1	39014 121,65	415712 7,60	509091 60,10	125136 8,60	127578 3,50	29243 17,15	507322 10,00	
22015	3062 212,25	220 / 60 / 1	39003 115,00	415712 7,60	509091 60,10	125136 8,60	127578 3,50	29243 17,15	507322 10,00	

**robot coupe®**

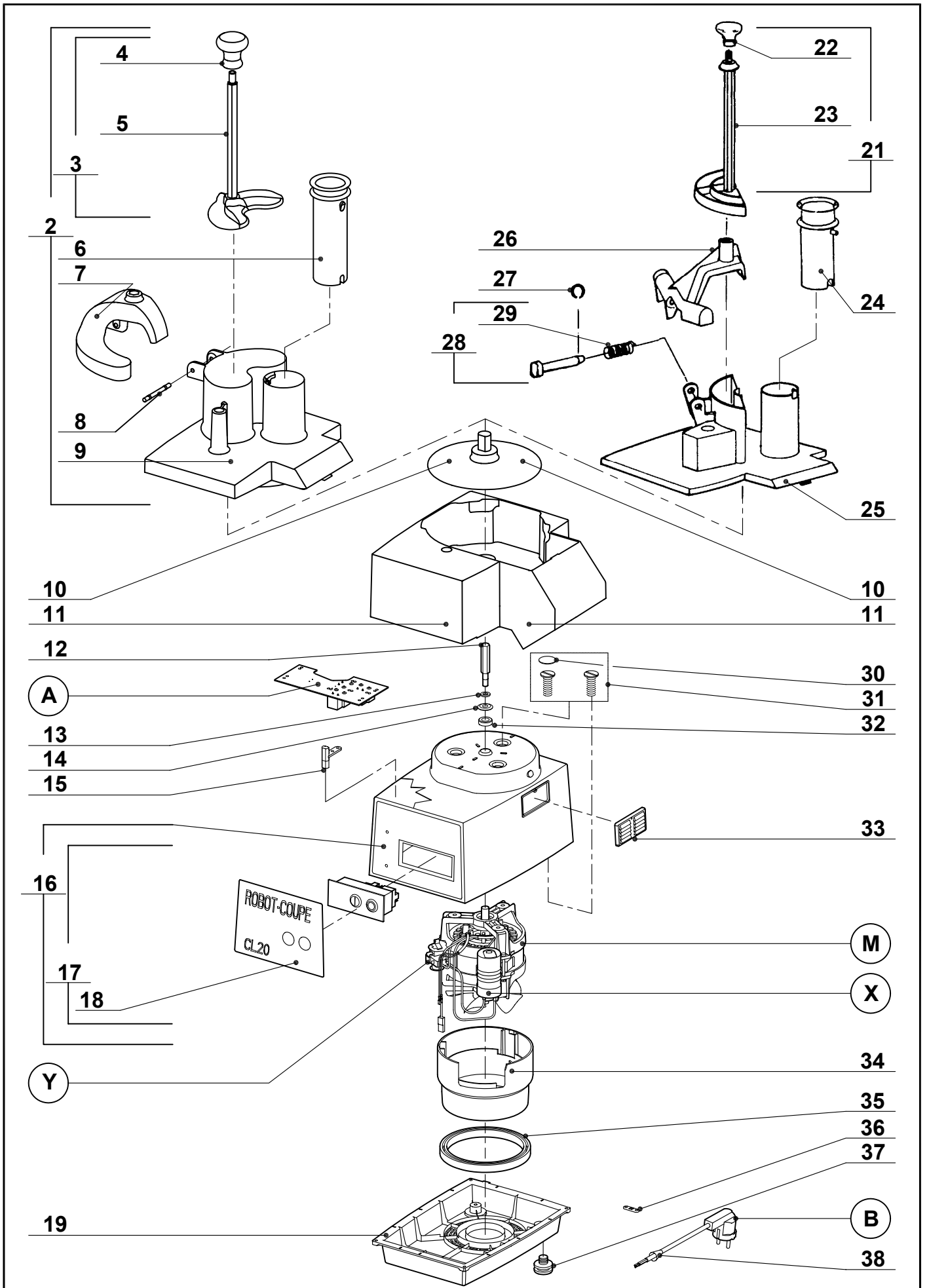
**CL-R 301**

**Pricelist in : EUR**

N°	M	Voltage	X	Y	
22012	3041 200,70	220 / 50 / 1	600018 12,30	500289 13,10	
22014	3049 200,70	115 / 60 / 1	603669 10,55	500296 13,10	
22015	3062 212,25	220 / 60 / 1	603669 10,55	500289 13,10	



INDEX	REF.	DESIGNATION	Pricelist in : EUR
2	29922	Veg Lid Assembly	130,75
3	29880	R301C Large Pusher Assy	44,60
4	102021	CL50A PUSHER KNOB SPACER	4,85
5	103703	R301C LARGE PUSHER	41,15
6	118324	CL52D ROUND PUSHER	6,50
7	29921	R301U (C) PUSHER GUIDE	35,55
8	103540	R301C LARGE PUSHER PIVOT PIN ASSY	13,30
9	103534	R301C VEG'PREP LID	48,30
10	100954	R301U SLING PLATE	12,40
11	100951	VEGETABLE SLICER BOWL	144,10
12	100082	R301U DRIVE SHAFT	13,80
13	102301	R301 B PCB	75,75
14	100096	(C) Spacer R300,R301U Series C	1,05
15	100084	R301U DRIVE SHAFT COLLAR	1,65
16	29441	R301 ULTRA B REED SWITCH ASS	10,45
17	29430	R301 B TOP CASE	76,30
18	29427	R301 B SWITCH ASSEMBLY	64,65
19	405867	R301B NAME PLATE	7,60
20	500289	R301 RELAY-GRAVITY TYPE	13,10
21	29378	R301B BOTTOM CASE	17,15
23	29157	R301U PUSHER PLATE ASSEMBLY	44,65
24	102021	CL50A PUSHER KNOB SPACER	4,85
25	100953	R301U N VEGET.PUSHER (N)	41,70
26	100955	R301U VEGETABLE PUSHER	6,10
27	100950	R301U VEGETABLE LID ONLY	48,40
28	100952	R301U PUSHER GUIDE	16,20
29	203011	R301U HINGE CLIP	1,10
30	100963	R301U HINGE	13,60
31	101054	PUSHER GUIDE SPRING	3,75
32	101754	BLIXER 3 BOLT COVER	0,60
33	29298	MOT SUP SCREWS ASS B	5,75
34	500467	R301 MOTOR SEAL 12x22x4.5	1,30
35	125290	R301 VENT COVER	2,55
36	3092	R301 ULTRA B MOTOR 240V	200,70
37	600018	R301 CAPACITOR-60mF	12,30
38	117266	R301U B FAN SHIELD	8,60
39	101099	R201 SHOCK ABSORBER	8,90
40	108515	POWER CORD CLIP	0,15
41	101082	R201 RUBBER FOOT	1,05
42	508706	R301 CABLE GROMMET	1,80
43	507322	POWER CORD	10,00



- (A)** CIRCUIT BOARD
- (B)** POWER CORD
- (M)** MOTOR
- (X)** CAPACITOR
- (Y)** MOTOR RELAY

INDEX	REF.	DESIGNATION	Pricelist in : EUR
2	29922	Veg Lid Assembly	130,75
3	29880	R301C Large Pusher Assy	44,60
4	102021	CL50A PUSHER KNOB SPACER	4,85
5	103703	R301C LARGE PUSHER	41,15
6	118324	CL52D ROUND PUSHER	6,50
7	29921	R301U (C) PUSHER GUIDE	35,55
8	103540	R301C LARGE PUSHER PIVOT PIN ASSY	13,30
9	103534	R301C VEG'PREP LID	48,30
10	100954	R301U SLING PLATE	12,40
11	100951	VEGETABLE SLICER BOWL	144,10
12	100082	R301U DRIVE SHAFT	13,80
13	100096	(C) Spacer R300,R301U Series C	1,05
14	100084	R301U DRIVE SHAFT COLLAR	1,65
15	29441	R301 ULTRA B REED SWITCH ASS	10,45
16	29430	R301 B TOP CASE	76,30
17	29427	R301 B SWITCH ASSEMBLY	64,65
18	405867	R301B NAME PLATE	7,60
19	29378	R301B BOTTOM CASE	17,15
21	29157	R301U PUSHER PLATE ASSEMBLY	44,65
22	102021	CL50A PUSHER KNOB SPACER	4,85
23	100953	R301U N VEGET.PUSHER (N)	41,70
24	100955	R301U VEGETABLE PUSHER	6,10
25	100950	R301U VEGETABLE LID ONLY	48,40
26	100952	R301U PUSHER GUIDE	16,20
27	203011	R301U HINGE CLIP	1,10
28	100963	R301U HINGE	13,60
29	101054	PUSHER GUIDE SPRING	3,75
30	101754	BLIXER 3 BOLT COVER	0,60
31	29298	MOT SUP SCREWS ASS B	5,75
32	500467	R301 MOTOR SEAL 12x22x4.5	1,30
33	125290	R301 VENT COVER	2,55
34	117266	R301U B FAN SHIELD	8,60
35	101099	R201 SHOCK ABSORBER	8,90
36	108515	POWER CORD CLIP	0,15
37	101082	R201 RUBBER FOOT	1,05
38	508706	R301 CABLE GROMMET	1,80

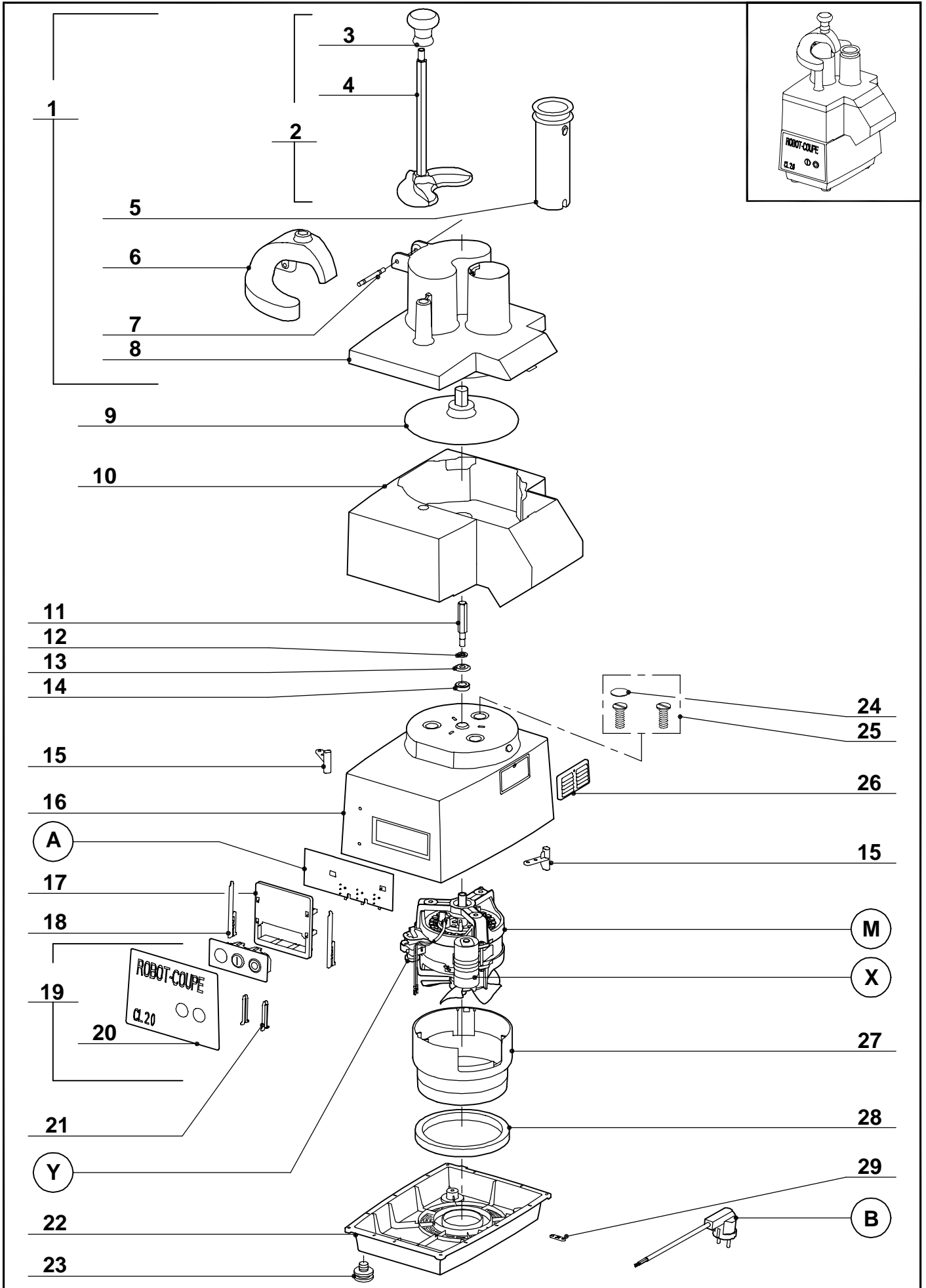
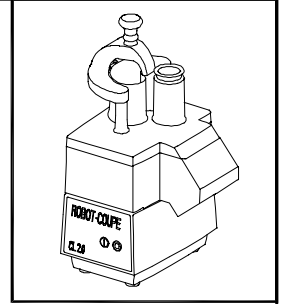
**robot coupe®**

**CL 20**

**Pricelist in : EUR**

N°	M	Voltage	A	B	X	Y	
22188	3092 200,70	230 / 50 / 1	102301 75,75	507322 10,00	600018 12,30	500289 13,10	
22190	3093 200,70	115 / 60 / 1	102300 83,55	507329 10,00	603669 10,55	500296 13,10	
22191	3091 212,15	220 / 60 / 1	102301 75,75	507322 10,00	603669 10,55	500289 13,10	





- (A)** R300 C 120V/60/1 PRINTED CIRCUIT BOARD
- (B)** (C) Power Cord R300,R301U Series C
- (M)** MOTOR
- (X)** CAPACITOR
- (Y)** MOTOR RELAY

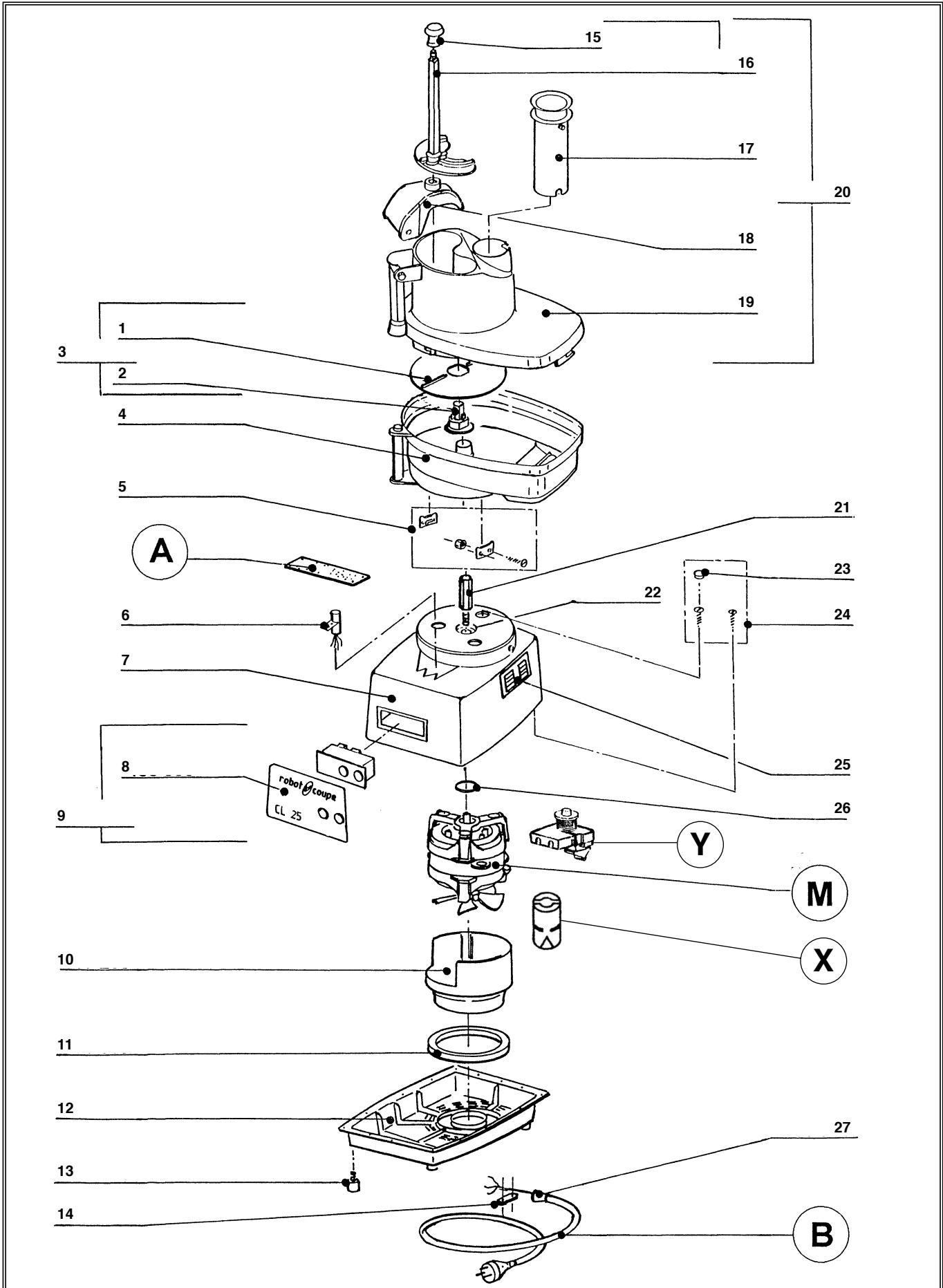
INDEX	REF.	DESIGNATION	Pricelist in : EUR
1	29922	Veg Lid Assembly	130,75
2	29880	R301C Large Pusher Assy	44,60
3	102021	CL50A PUSHER KNOB SPACER	4,85
4	103703	R301C LARGE PUSHER	41,15
5	118324	CL52D ROUND PUSHER	6,50
6	29921	R301U (C) PUSHER GUIDE	35,55
7	103540	R301C LARGE PUSHER PIVOT PIN ASSY	13,30
8	103534	R301C VEG'PREP LID	48,30
9	100954	R301U SLING PLATE	12,40
10	103728	R301U VEGETABLE BOWL	143,75
11	100082	R301U DRIVE SHAFT	13,80
12	100096	(C) Spacer R300,R301U Series C	1,05
13	100084	R301U DRIVE SHAFT COLLAR	1,65
14	500467	R301 MOTOR SEAL 12x22x4.5	1,30
15	29441	R301 ULTRA B REED SWITCH ASS	10,45
16	29472	MOTOR SUPPORT ASS	76,30
17	102911	R301U (C) PCB SUPPORT	3,30
18	117703	R301U (C) PCB KEY	0,55
19	29937	SWITCH PANEL CL20C ASSY	35,05
20	405928	FRONT PLATE	7,60
21	102913	R401 PANEL KEY	0,80
22	29378	R301B BOTTOM CASE	17,15
23	101082	R201 RUBBER FOOT	1,05
24	101754	BLIXER 3 BOLT COVER	0,60
25	29298	MOT SUP SCREWS ASS B	5,75
26	125290	R301 VENT COVER	2,55
27	117266	R301U B FAN SHIELD	8,60
28	101099	R201 SHOCK ABSORBER	8,90
29	108515	POWER CORD CLIP	0,15

**robot coupe®**

**CL 20 C**

**Pricelist in : EUR**

N°	M	Voltage	A	B	X	Y	
22298	3092 200,70	220 / 50 / 1	103681 81,75	503473 10,00	600018 12,30	500289 13,10	
22300	3093 200,70	115 / 60 / 1	103680 81,75	503477 10,50	603669 10,55	500296 13,10	
22301	3091 212,15	220 / 60 / 1	103681 81,75	503473 10,00	603669 10,55	500289 13,10	



- (A)** CIRCUIT BOARD
- (B)** POWER CORD
- (M)** MOTOR
- (X)** CAPACITOR
- (Y)** MOTOR RELAY

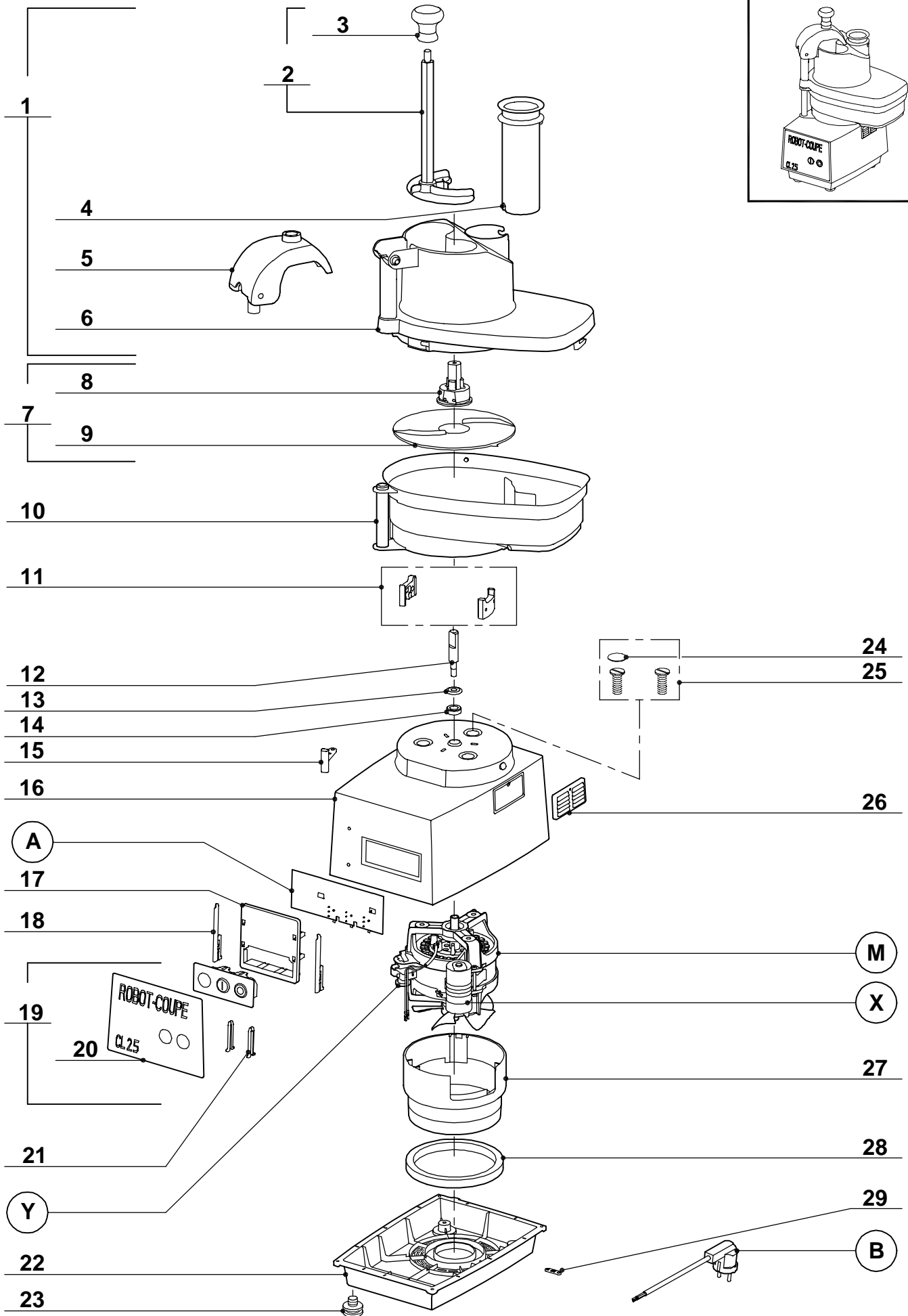
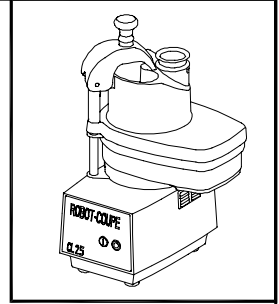
INDEX	REF.	DESIGNATION	Pricelist in : EUR
1	117092	R401 REVERSIBLE SLING PLATE	5,70
2	117091	R401 SLING PLATE HUB	6,75
3	102019	R302 SLING PLATE	12,15
4	102003	R302 VEGETABLE BOWL	249,65
5	29081	R301U LOCK PLATE & SCREWS	12,40
6	29441	R301 ULTRA B REED SWITCH ASS	10,45
7	29449	MOTOR SUP ASS CL25B	64,65
8	405866	FRONT PLATE CL25B	7,60
9	29450	SWITCH PANNEL ASS	76,30
10	117266	R301U B FAN SHIELD	8,60
11	101099	R201 SHOCK ABSORBER	8,90
12	29378	R301B BOTTOM CASE	17,15
13	101082	R201 RUBBER FOOT	1,05
14	108515	POWER CORD CLIP	0,15
15	102021	CL50A PUSHER KNOB SPACER	4,85
16	29324	R302 PUSHER PLATE ASSEMBLY	44,65
17	102022	R302 ROUND PUSHER	7,70
18	102020	R302 PUSHER GUIDE	18,50
19	102016	R302 VEGETABLE LID ONLY	60,80
20	117079	R302 VEGETABLE LID ASSEMBLY	136,80
21	117162	DRIVE AXEL CL25	13,80
22	100084	R301U DRIVE SHAFT COLLAR	1,65
23	101754	BLIXER 3 BOLT COVER	0,60
24	29298	MOT SUP SCREWS ASS B	5,75
25	125290	R301 VENT COVER	2,55
26	500467	R301 MOTOR SEAL 12x22x4.5	1,30
27	508706	R301 CABLE GROMMET	1,80

**robot coupe®**

**CL 25 B**

**Pricelist in : EUR**

N°	M	Voltage	A	B	X	Y	
24172	3080 200,70	220 / 50 / 1	102301 75,75	507322 10,00	600018 12,30	500289 13,10	
24174	3081 200,70	115 / 60 / 1	102300 83,55	507329 10,00	603669 10,55	500296 13,10	
24175	3082 212,25	220 / 60 / 1	102301 75,75	507322 10,00	603669 10,55	500289 13,10	



- (A)** R300 C 120V/60/1 PRINTED CIRCUIT BOARD
- (B)** (C) Power Cord R300,R301U Series C
- (M)** MOTOR
- (X)** CAPACITOR
- (Y)** MOTOR RELAY

INDEX	REF.	DESIGNATION	Pricelist in : EUR
1	117079	R302 VEGETABLE LID ASSEMBLY	136,80
2	29324	R302 PUSHER PLATE ASSEMBLY	44,65
3	102021	CL50A PUSHER KNOB SPACER	4,85
4	102022	R302 ROUND PUSHER	7,70
5	102020	R302 PUSHER GUIDE	18,50
6	102016	R302 VEGETABLE LID ONLY	60,80
7	102019	R302 SLING PLATE	12,15
8	117091	R401 SLING PLATE HUB	6,75
9	117092	R401 REVERSIBLE SLING PLATE	5,70
10	102003	R302 VEGETABLE BOWL	249,65
11	29081	R301U LOCK PLATE & SCREWS	12,40
12	117162	DRIVE AXEL CL25	13,80
13	100084	R301U DRIVE SHAFT COLLAR	1,65
14	500467	R301 MOTOR SEAL 12x22x4.5	1,30
15	29441	R301 ULTRA B REED SWITCH ASS	10,45
16	29449	MOTOR SUP ASS CL25B	64,65
17	102911	R301U (C) PCB SUPPORT	3,30
18	117703	R301U (C) PCB KEY	0,55
19	29938	SWITCH PANEL CL25C ASSY	39,80
20	405866	FRONT PLATE CL25B	7,60
21	102913	R401 PANEL KEY	0,80
22	29378	R301B BOTTOM CASE	17,15
23	101082	R201 RUBBER FOOT	1,05
24	101754	BLIXER 3 BOLT COVER	0,60
25	29298	MOT SUP SCREWS ASS B	5,75
26	125290	R301 VENT COVER	2,55
27	117266	R301U B FAN SHIELD	8,60
28	101099	R201 SHOCK ABSORBER	8,90
29	108515	POWER CORD CLIP	0,15

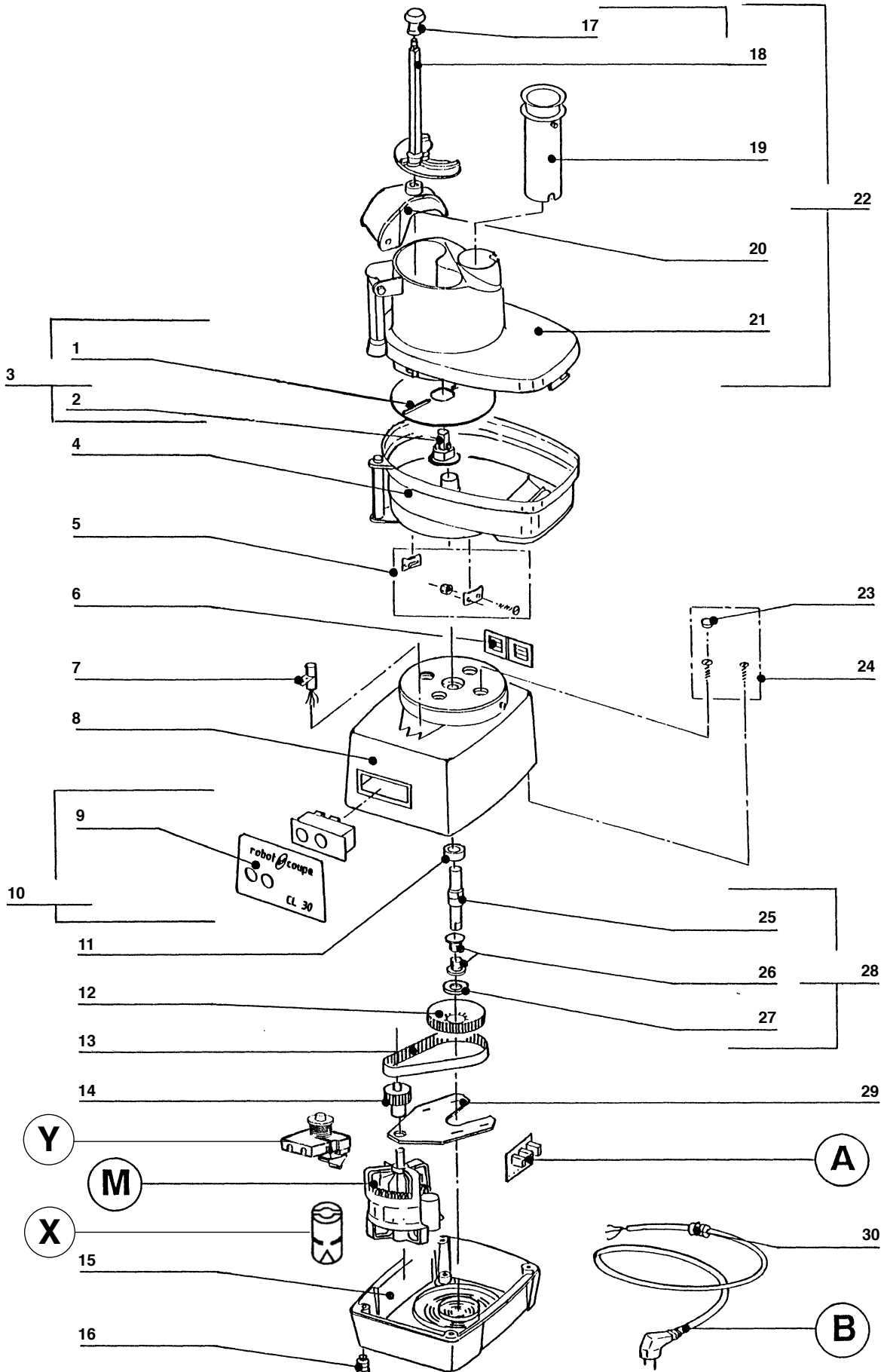


**robot coupe®**

**CL 25 C**

**Pricelist in : EUR**

N°	M	Voltage	A	B	X	Y	
24400	3081 200,70	115 / 60 / 1	103680 81,75	503477 10,50	603669 10,55	500296 13,10	
24401	3080 200,70	220 / 50 / 1	103681 81,75	503473 10,00	600018 12,30	500289 13,10	
24404	3082 212,25	220 / 60 / 1	103681 81,75	503473 10,00	603669 10,55	500289 13,10	



- (A)** CIRCUIT BOARD
- (B)** POWER CORD
- (M)** CL50B MOTOR
- (X)** CAPACITOR
- (Y)** MOTOR RELAY

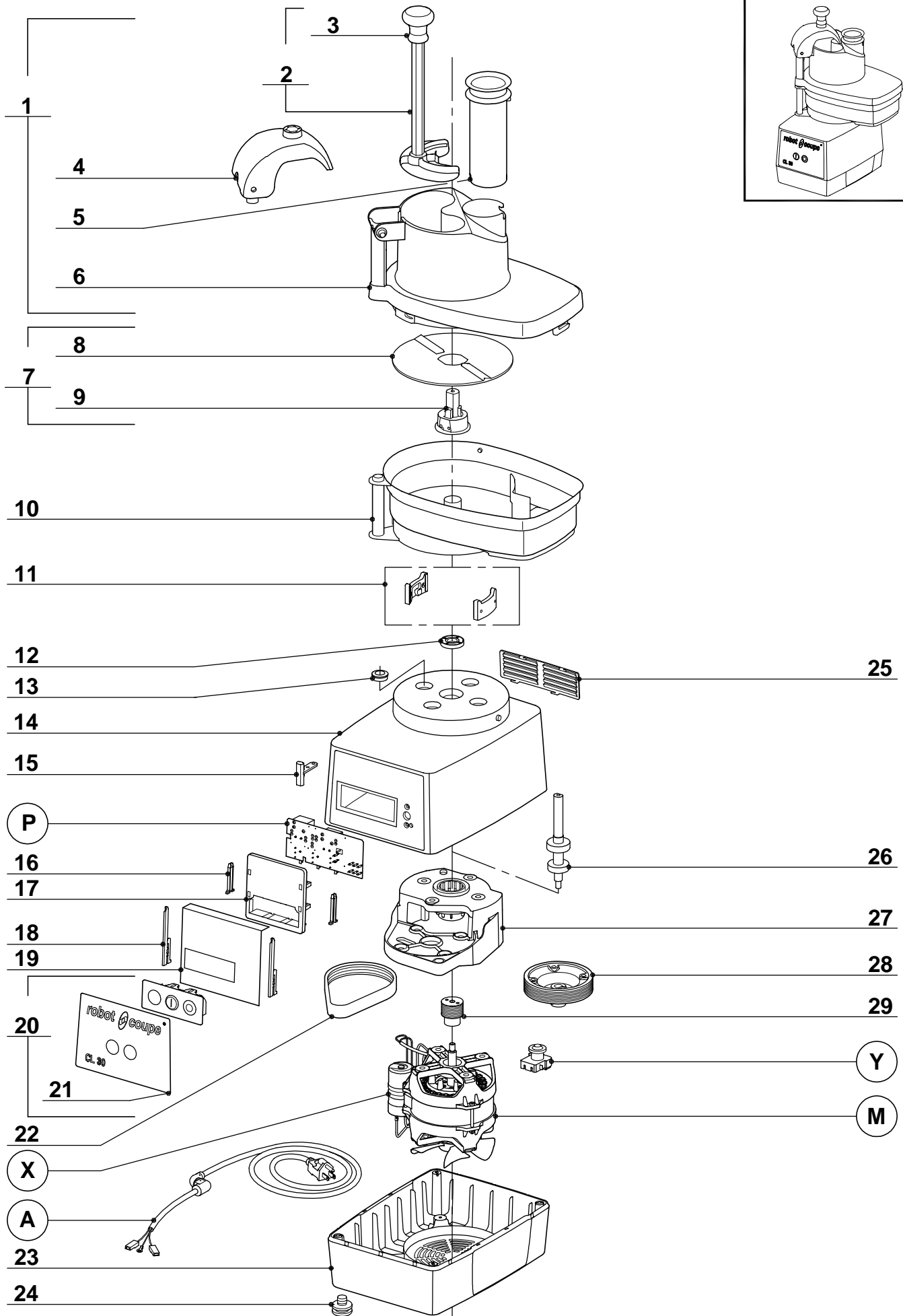
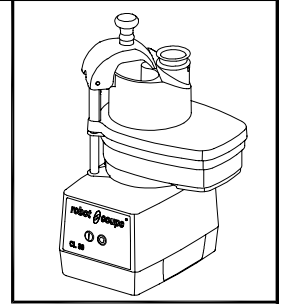
INDEX	REF.	DESIGNATION	Pricelist in : EUR
1	117092	R401 REVERSIBLE SLING PLATE	5,70
2	117091	R401 SLING PLATE HUB	6,75
3	102019	R302 SLING PLATE	12,15
4	102003	R302 VEGETABLE BOWL	249,65
5	29081	R301U LOCK PLATE & SCREWS	12,40
6	101098	VENT COVER	3,55
7	29379	R3 PLUS REED SWITCH ASSEMBLY	13,75
8	29329	MOTOR SUPPORT ASS	184,55
9	401501	CL30 FRONT PLATE	7,60
10	29332	SWITCH ASS	62,85
11	501010	BLIXER 4 COUPLING SEAL 15X35X6	7,40
12	130933	CL401 DRIVE PULLEY-METAL	8,15
13	515482	BELT	47,10
14	102089	CL30/CL50B DRIVING PULLEY	54,85
15	29335	R302 BOTTOM CASE	79,00
16	102031	FOOT	1,05
17	102021	CL50A PUSHER KNOB SPACER	4,85
18	29324	R302 PUSHER PLATE ASSEMBLY	44,65
19	102022	R302 ROUND PUSHER	7,70
20	102020	R302 PUSHER GUIDE	18,50
21	102016	R302 VEGETABLE LID ONLY	60,80
22	117079	R302 VEGETABLE LID ASSEMBLY	136,80
23	102037	SCREW CAP	0,60
24	29321	SCREW ASS	5,75
25	102060	CL30 TRANSMISSION SHAFT	63,00
26	515493	CL401 SHAFT BUSH-METAL	2,85
27	141020	CL401 DRIVE SHAFT WASHER	2,00
28	29328	CL30 DRIVE SHAFT ASSEMBLY	80,35
29	102063	CL30 MOTOR SUPPORT PLATE	31,40
30	515515	CL60 CABLE GROMMET	3,45

**robot coupe®**

**CL 30**

**Pricelist in : EUR**

N°	M	Voltage	A	B	X	Y	
24096	3077 150,50	220 / 50 / 1	102471 48,10	507320 10,00	600018 12,30	500289 13,10	
24099	3079 150,70	115 / 60 / 1	102470 48,10	507329 10,00	603669 10,55	500296 13,10	
24100	3078 150,70	220 / 60 / 1	102471 48,10	507322 10,00	603669 10,55	500289 13,10	



- (A)** POWER CORD 2P+T AUST
- (M)** MOTOR
- (P)** R301D PCB 120V
- (X)** CAPACITOR
- (Y)** MOTOR RELAY

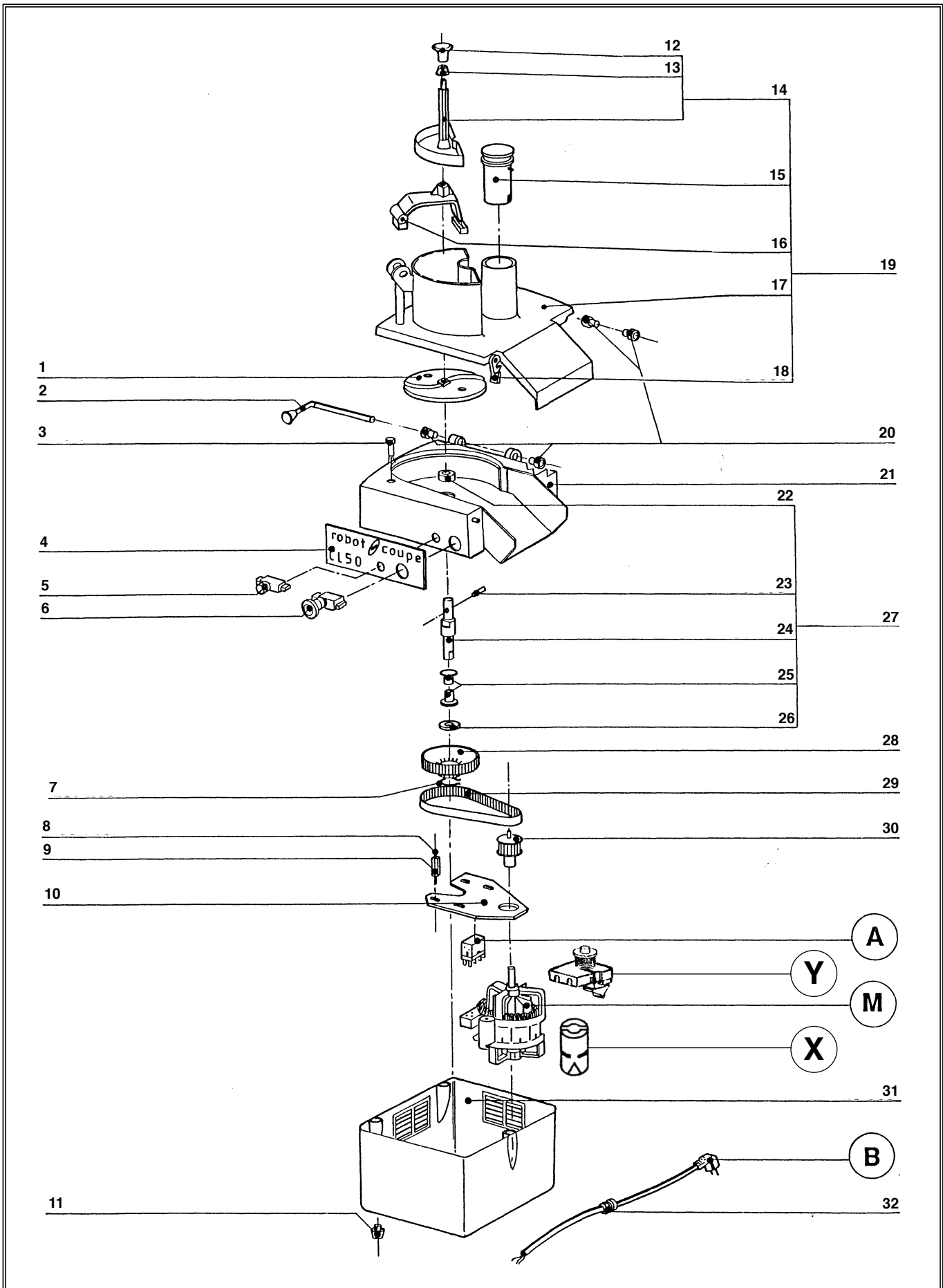
INDEX	REF.	DESIGNATION	Pricelist in : EUR
1	117079	R302 VEGETABLE LID ASSEMBLY	136,80
2	29324	R302 PUSHER PLATE ASSEMBLY	44,65
3	102021	CL50A PUSHER KNOB SPACER	4,85
4	102020	R302 PUSHER GUIDE	18,50
5	102022	R302 ROUND PUSHER	7,70
6	102016	R302 VEGETABLE LID ONLY	60,80
7	102019	R302 SLING PLATE	12,15
8	117092	R401 REVERSIBLE SLING PLATE	5,70
9	117091	R401 SLING PLATE HUB	6,75
10	104076	R401 VEGETABLE BOWL	192,25
11	29081	R301U LOCK PLATE & SCREWS	12,40
12	501010	BLIXER 4 COUPLING SEAL 15X35X6	7,40
13	104070	R401 BOLT COVER	0,60
14	39117	CL30A MOTOR SUPPORT ASSY	193,20
15	29356	R401 REED SWITCH VEG ATT	14,40
16	102913	R401 PANEL KEY	0,80
17	102911	R301U (C) PCB SUPPORT	3,30
18	117703	R301U (C) PCB KEY	0,55
19	104131	R401 PCB PROTECTOR	1,50
20	39115	CL30A SWITCH ASSY	78,00
21	407705	CL30A FRONT PLATE	7,90
22	503940	R402VV DRIVE BELT	37,35
23	39112	R402 BOTTOM CASE	41,40
24	101082	R201 RUBBER FOOT	1,05
25	104122	R401 VENT COVER	3,75
26	29604	R402VV DRIVE SHAFT ASSEMBLY	80,25
27	104125	R402VV MOTOR COVER	35,55
28	102923	R402VV LARGE PULLEY	44,05
29	102924	R402VV SMALL PULLEY	38,30

**robot coupe®**

**CL30 "A"**

**Pricelist in : EUR**

N°	M	Voltage	A	P	X	Y	
24383	3122 157,55	230 / 50 / 1	504274 10,50	103691 50,40	600018 12,30	500289 13,10	
24386	3125 157,55	120 / 60 / 1	504277 10,50	103690 50,40	603669 10,55	500296 13,10	
24387	3123 157,55	220 / 60 / 1	504274 10,50	103691 50,40	603669 10,55	500289 13,10	
24389 DK	3122 157,55	230 / 50 / 1	504276 10,50	103691 50,40	600018 12,30	500289 13,10	





- (A)** 220V / 60 RELAY
- (B)** POWER CORD
- (M)** MOTOR
- (X)** CAPACITOR
- (Y)** MOTOR RELAY

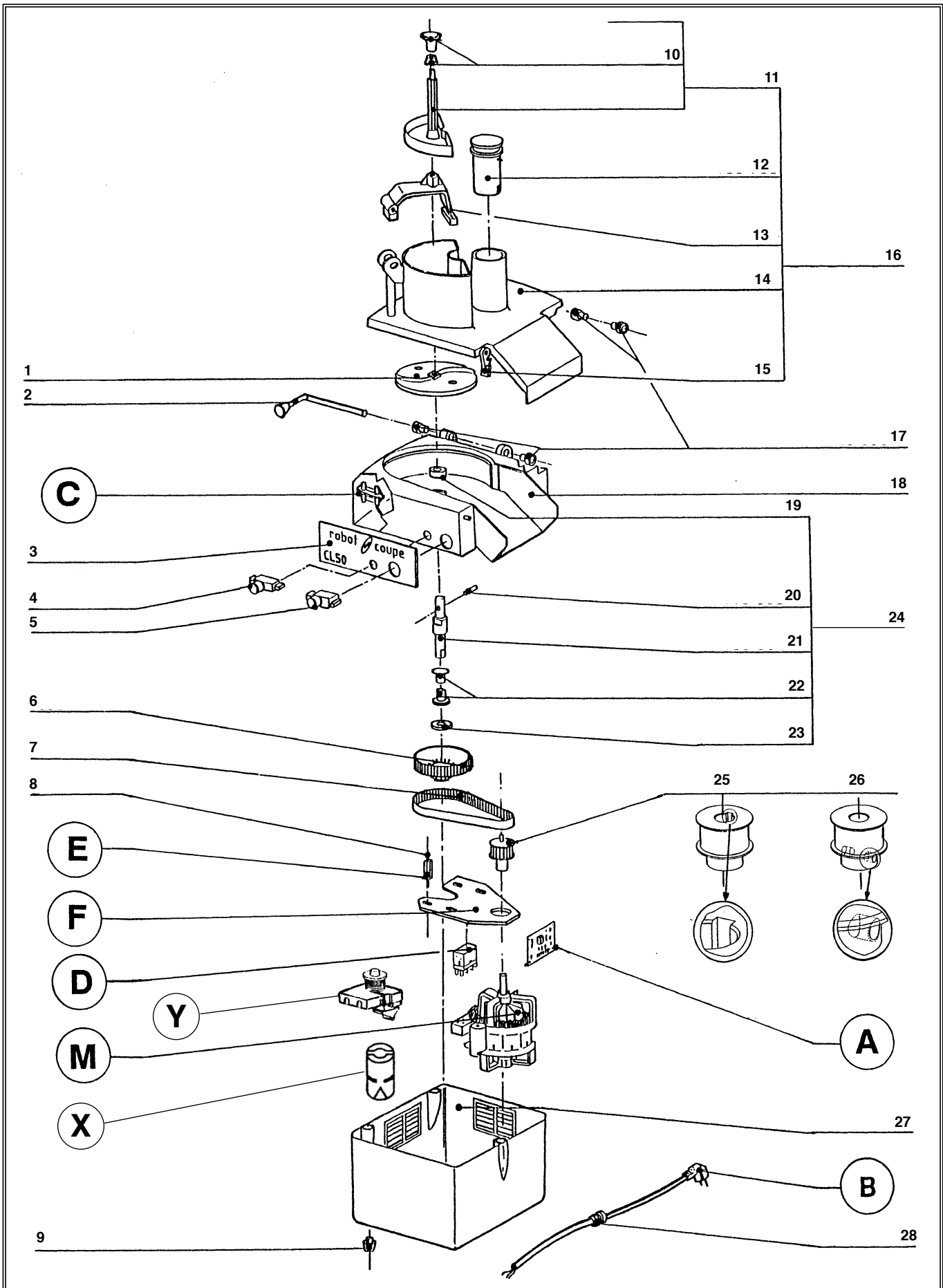
INDEX	REF.	DESIGNATION	Pricelist in : EUR
1	100062	CL50A SLING PLATE	10,90
2	29061	CL50A HINGE PIN	18,65
3	29031	REED SWITCH ASS	6,85
4	400278	CL50A NAME PLATE	13,60
5	500322	GREEN KNOB	32,90
6	500300	CL50 RED SWITCH ASSEMBLY	31,85
7	209209	CL401 CIRCLIP E16	0,60
8	100768	CL50B STUD	1,65
9	100767	CL50B SPACER	1,75
10	100068	MOTOR SUPPORT PLATE	27,35
11	500247	R4 RUBBER FOOT	1,35
12	500935	CL50A PUSHER KNOB	12,35
13	100740	KNOB WASHER	2,65
14	29060	R501Ua PUSHER PLATE ASSEMBLY	81,90
15	100709	CL50A PUSHER-ROUND	6,50
16	29064	PUSHER GUIDE ASS	99,10
17	100680	CL50A LID ONLY	148,15
18	29066	R501U LID LOCK CLAMP-NS	47,20
19	29078	R501U VEG LID ASSEMBLY	392,90
20	29058	CL60 HINGE BUSH KIT	6,25
22	501624	R502/602 MOTOR SEAL	3,15
23	110308	R501U SHAFT PIN MOTOR	2,00
24	100634	SHAFT	Contact us
25	515493	CL401 SHAFT BUSH-METAL	2,85
26	141020	CL401 DRIVE SHAFT WASHER	2,00
27	29080	CL50A DRIVE SHAFT 151MM	107,70
28	130933	CL401 DRIVE PULLEY-METAL	8,15
29	515482	BELT	47,10
30	130944	CL401 MOTOR PULLEY	54,85
31	29065	CL50 A/B BOTTOM CASING	155,10
32	515515	CL60 CABLE GROMMET	3,45

**robot coupe®**

**CL 50 A**

**Pricelist in : EUR**

N°	M	Voltage	A	B	X	Y	
24044	3009 150,75	220 / 50 / 1	509124 42,75	507320 10,00	600018 12,30	500289 13,10	
24047	3011 150,70	115 / 60 / 1	509135 48,45	503206 10,00	603669 10,55	500296 13,10	
24049	3063 154,65	220 / 60 / 1	500560 55,85	507320 10,00	603669 10,55	500289 13,10	



- (A)** CIRCUIT BOARD
- (B)** POWER CORD
- (C)** CL50B REED SWITCH ASSEMBLY
- (D)** CONTACTOR
- (E)** BRACE
- (F)** MOTOR SUPPORT PLATE
- (M)** MOTOR
- (X)** CAPACITOR
- (Y)** MOTOR RELAY

INDEX	REF.	DESIGNATION	Pricelist in : EUR
1	100062	CL50A SLING PLATE	10,90
2	29061	CL50A HINGE PIN	18,65
3	400278	CL50A NAME PLATE	13,60
4	500322	GREEN KNOB	32,90
5	500321	RED KNOB	32,90
6	130933	CL401 DRIVE PULLEY-METAL	8,15
7	515482	BELT	47,10
8	100768	CL50B STUD	1,65
9	500247	R4 RUBBER FOOT	1,35
10	102021	CL50A PUSHER KNOB SPACER	4,85
11	29060	R501Ua PUSHER PLATE ASSEMBLY	81,90
12	100709	CL50A PUSHER-ROUND	6,50
13	29064	PUSHER GUIDE ASS	99,10
14	100680	CL50A LID ONLY	148,15
15	29066	R501U LID LOCK CLAMP-NS	47,20
16	29078	R501U VEG LID ASSEMBLY	392,90
17	29058	CL60 HINGE BUSH KIT	6,25
18	29221	CL55 TOP CASING	313,90
19	501624	R502/602 MOTOR SEAL	3,15
20	110308	R501U SHAFT PIN MOTOR	2,00
21	100634	SHAFT	Contact us
22	515493	CL401 SHAFT BUSH-METAL	2,85
23	141020	CL401 DRIVE SHAFT WASHER	2,00
24	29080	CL50A DRIVE SHAFT 151MM	107,70
25	102089	CL30/CL50B DRIVING PULLEY	54,85
26	130944	CL401 MOTOR PULLEY	54,85
27	29065	CL50 A/B BOTTOM CASING	155,10
28	515515	CL60 CABLE GROMMET	3,45

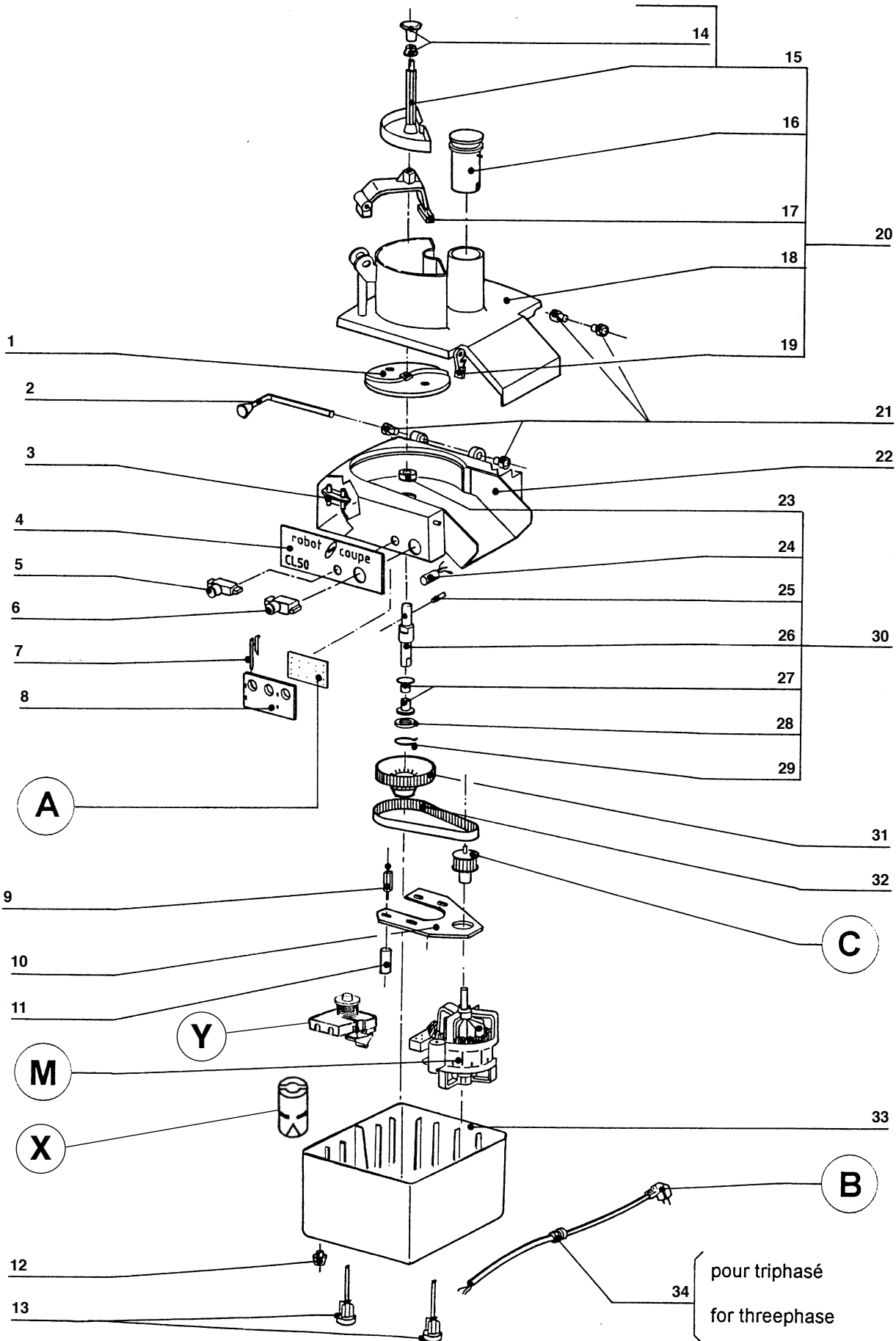
N°	M	Voltage	A	B	C	D	E	F	X	
24081	3064 150,70	220 / 50 / 1	102471 48,10	507322 10,00	29261 8,50	---	100767 1,75	100068 27,35	600018 12,30	
24083	3066 150,70	115 / 60 / 1	102470 48,10	507329 10,00	29261 8,50	---	100767 1,75	100068 27,35	603669 10,55	
24084	3067 150,70	220 / 60 / 1	102471 48,10	507322 10,00	29261 8,50	---	100767 1,75	100068 27,35	603669 10,55	
24086	3011 150,70	115 / 60 / 1	---	507328 10,00	29261 8,50	---	100767 1,75	100068 27,35	603669 10,55	
24088	3065 150,70	240 / 50 / 1	102471 48,10	507322 10,00	29261 8,50	---	100767 1,75	100068 27,35	600018 12,30	
24177	303028 175,80	220 / 60 / 3	---	502067 29,95	29459 22,15	503888 54,45	101437 1,75	101361 31,40	---	
24178	303026 175,80	380 / 60 / 3	---	502067 29,95	29459 22,15	507650 76,65	101437 1,75	101361 31,40	---	
24179	303025 175,80	380 / 50 / 3	---	502067 29,95	29459 22,15	507650 76,65	101437 1,75	101361 31,40	---	

**robot coupe®**

**CL 50 B**

**Pricelist in : EUR**

N°	M	Voltage	Y	
24081	3064 150,70	220 / 50 / 1	500289 13,10	
24083	3066 150,70	115 / 60 / 1	500296 13,10	
24084	3067 150,70	220 / 60 / 1	500289 13,10	
24086	3011 150,70	115 / 60 / 1	500296 13,10	
24088	3065 150,70	240 / 50 / 1	500289 13,10	
24177	303028 175,80	220 / 60 / 3	---	
24178	303026 175,80	380 / 60 / 3	---	
24179	303025 175,80	380 / 50 / 3	---	



- (A)** CL50C SINGLE PHASE CIRCUIT BOARD
- (B)** POWER CORD
- (C)** MOTOR DRIVE PULLEY
- (M)** CL50 ULTRA MOTOR 240V 50HZ
- (X)** CAPACITOR
- (Y)** MOTOR RELAY

INDEX	REF.	DESIGNATION	Pricelist in : EUR
1	100062	CL50A SLING PLATE	10,90
2	29061	CL50A HINGE PIN	18,65
3	29536	CL50C/ULTRA REED SWITCH LID	48,10
4	405968	CL50C FRONT PLATE	13,60
5	502170	CL60 (D) GREEN LOW SPEED SWITCH TOP	12,45
6	502169	CL60 (D) RED SWITCH TOP	12,45
7	117703	R301U (C) PCB KEY	0,55
8	29533	MOUNT SPACER FOR PCB	11,95
9	117692	CL50D SUPPORT BRACE	3,05
10	117689	CL50D MOTOR SUPPORT	27,35
11	117691	BASE BRACE	3,50
12	117579	CL50C FOOT	0,85
13	29782	CL50C BOTTOM CASE FIXING SCREW	5,45
14	102021	CL50A PUSHER KNOB SPACER	4,85
15	29060	R501Ua PUSHER PLATE ASSEMBLY	81,90
16	100709	CL50A PUSHER-ROUND	6,50
17	29064	PUSHER GUIDE ASS	99,10
18	100680	CL50A LID ONLY	148,15
19	29066	R501U LID LOCK CLAMP-NS	47,20
20	29078	R501U VEG LID ASSEMBLY	392,90
21	29058	CL60 HINGE BUSH KIT	6,25
22	29529	CL50C TOP CASING	313,90
23	501624	R502/602 MOTOR SEAL	3,15
24	29537	LID ILS ASS	48,10
25	110308	R501U SHAFT PIN MOTOR	2,00
26	117688	CL50C/ULTRA DRIVE SHAFT	86,65
27	515493	CL401 SHAFT BUSH-METAL	2,85
28	203064	RUBBING WASHER	0,70
29	203065	CL50C ST ST CIRCLIP	0,85
30	29523	TRANSMISSION SHAFT ASS	156,15
31	117682	CL50C/ULTRA ALLOY DRIVE PULLEY	8,15
32	515482	BELT	47,10
33	29534	CL50C BOTTOM CASE	155,10

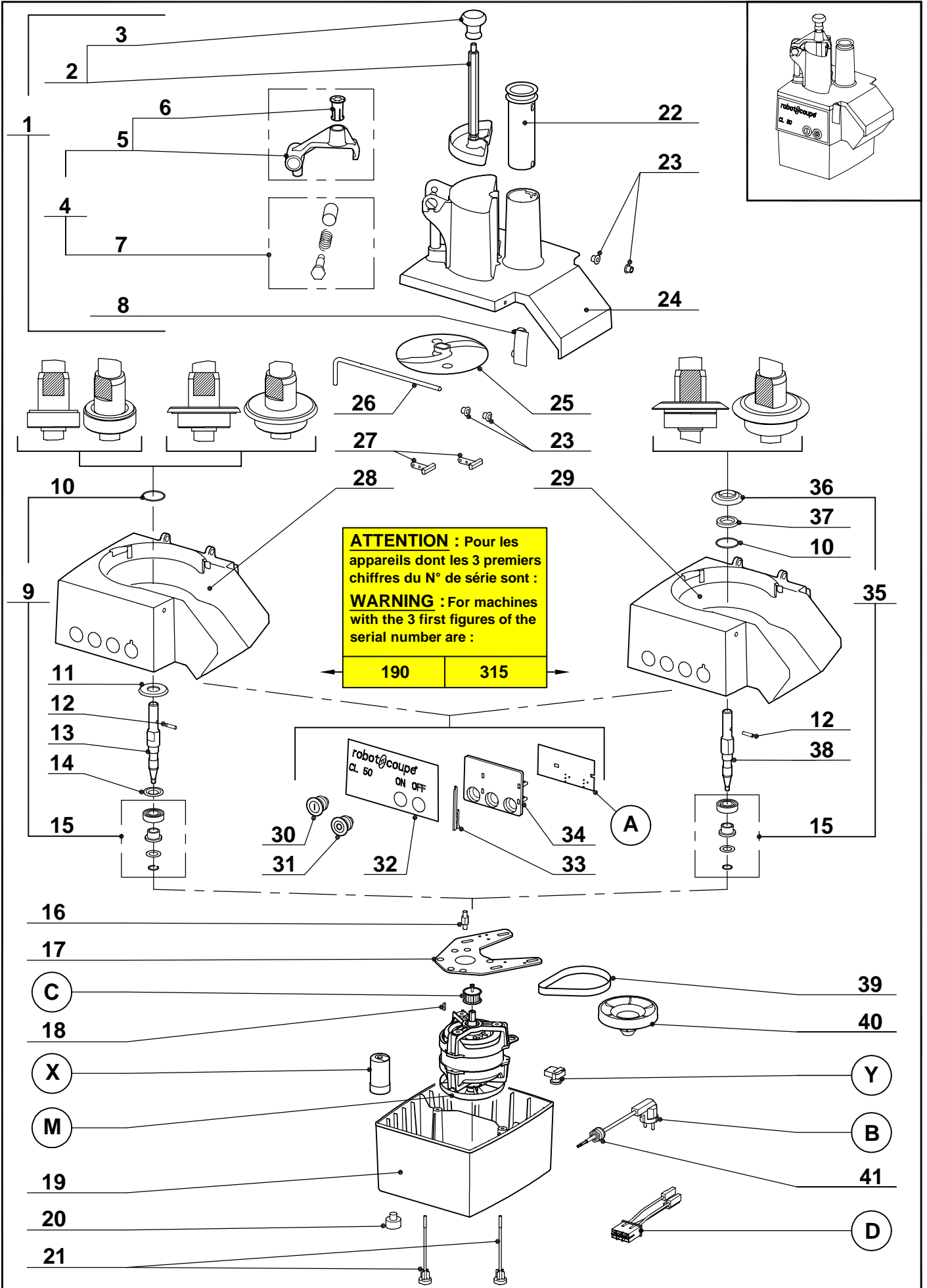


robot coupe®

CL 50 C

Pricelist in : EUR

N°	M	Voltage	A	B	C	X	Y	
24257	3095 150,70	115 / 60 / 1	102480 48,10	507027 10,00	29530 54,85	603669 10,55	500296 13,10	
24258	3096 150,70	220 / 50 / 1	102480 48,10	507026 10,00	29530 54,85	600018 12,30	500289 13,10	
24259	3097 150,70	220 / 60 / 1	102480 48,10	507026 10,00	29530 54,85	603669 10,55	500289 13,10	
24260	303038 175,80	220 / 60 / 3	102479 74,80	515570 29,95	29532 54,85	---	---	
24263	303035 175,80	380 / 50 / 3	102479 74,80	515570 29,95	29532 54,85	---	---	
24264	303037 183,95	380 / 60 / 3	102479 74,80	515570 29,95	29532 54,85	---	---	
24284	303036 175,80	220 / 50 / 3	102479 74,80	515570 29,95	29532 54,85	---	---	



- (A)** CL50C SINGLE PHASE CIRCUIT BOARD
- (B)** 2P+EARTH CL50D DK POWER CORD
- (C)** MOTOR DRIVE PULLEY
- (D)** CL50D PCB CONNECTOR
- (M)** CL50 D MOTOR 240V 50HZ
- (X)** CAPACITOR
- (Y)** MOTOR RELAY

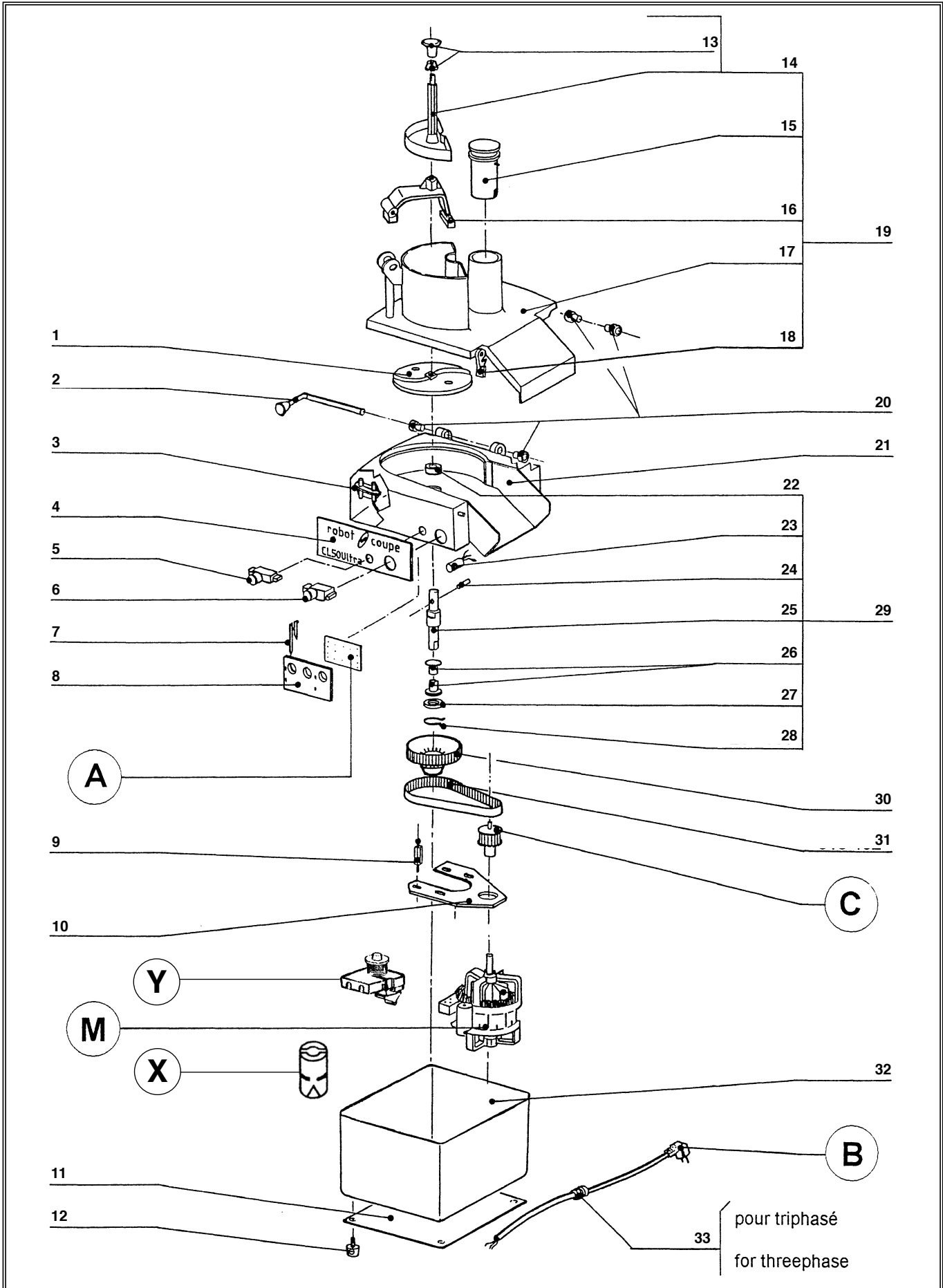
INDEX	REF.	DESIGNATION	Pricelist in : EUR
1	29627	CL50D VEG LID ASSEMBLY	392,90
2	29060	R501Ua PUSHER PLATE ASSEMBLY	81,90
3	102021	CL50A PUSHER KNOB SPACER	4,85
4	29738	CL50 (D) PUSHER GUIDE	99,10
5	39097	PUSHER GUIDE ASSEMBLY	103,75
6	100638	CL50A HEX BUSH-PUSHER GUIDE	1,45
7	39098	JAW SHAFT ASSEMBLY	31,90
8	29501	LOCK LATCH ASSY	47,20
9	29629	CL50D/ULTRA DRIVE SHAFT ASS KIT	156,15
10	504219	42X2 NBR70 TORIC SEAL	0,25
11	39197	CL50D SEAL ASSEMBLY	23,05
12	110308	R501U SHAFT PIN MOTOR	2,00
13	118373	CL50 (D) DRIVE SHAFT	86,65
14	203107	CL50D/ULTRA DRIVE SHAFT WASHER	3,50
15	29630	CL50D DRIVE SHAFT BEARING	16,10
16	117692	CL50D SUPPORT BRACE	3,05
17	117689	CL50D MOTOR SUPPORT	27,35
18	502768	CLAVETTE 4X4X16	Contact us
19	117681	CAPOT CL50 BAS PLASTIQUE	Contact us
20	117579	CL50C FOOT	0,85
21	118387	VIS FIX CAPOT SURMOULE	Contact us
22	118324	CL52D ROUND PUSHER	6,50
23	29058	CL60 HINGE BUSH KIT	6,25
24	118376	VEG SLICER LID	148,15
25	102690	CL50 D SLING PLATE	10,90
26	29061	CL50A HINGE PIN	18,65
27	29451	CL50D REED SWITCH	13,75
28	29628	CL50D BOWL ASSEMBLY	328,00
29	39200	CL50D BOWL ASSEMBLY	343,35
30	502170	CL60 (D) GREEN LOW SPEED SWITCH TOP	12,45
31	502169	CL60 (D) RED SWITCH TOP	12,45
32	406514	CL50D FRONT PLATE	13,60
33	117703	R301U (C) PCB KEY	0,55
34	29533	MOUNT SPACER FOR PCB	11,95
35	39198	CL50D RECEPT SHAFT ASSY	163,50
36	101547	CL50D DEFLECTOR	Contact us
37	501678	REDUCTOR PLATE + RINGS	6,40
38	104287	CL50 D DRIVING SHAFT	Contact us
39	515482	BELT	47,10
40	117682	CL50C/ULTRA ALLOY DRIVE PULLEY	8,15
41	515515	CL60 CABLE GROMMET	3,45

robot coupe®

CL 50 D

Pricelist in : EUR

N°	M	Voltage	A	B	C	D	X	Y	
24340	3114 150,65	230 / 50 / 1	102480 48,10	507026 10,00	29530 54,85	29599 6,85	600018 12,30	500289 13,10	
24343	3116 150,65	220 / 60 / 1	102480 48,10	507026 10,00	29530 54,85	29599 6,85	603669 10,55	500289 13,10	
24344	3115 150,65	115 / 60 / 1	102480 48,10	507027 10,00	29530 54,85	29599 6,85	603669 10,55	500296 13,10	
24345	303080 175,80	400 / 50 / 3	102479 74,80	515570 29,95	29532 54,85	29600 6,85	---	---	
24346	303077 175,80	220 / 60 / 3	102479 74,80	515570 29,95	29532 54,85	29600 6,85	---	---	
24347	303078 175,80	380 / 60 / 3	102479 74,80	515570 29,95	29532 54,85	29600 6,85	---	---	



- (A)** CL50C SINGLE PHASE CIRCUIT BOARD
- (B)** POWER CORD
- (C)** MOTOR DRIVE PULLEY
- (M)** CL50 ULTRA MOTOR 240V 50HZ
- (X)** CAPACITOR
- (Y)** MOTOR RELAY

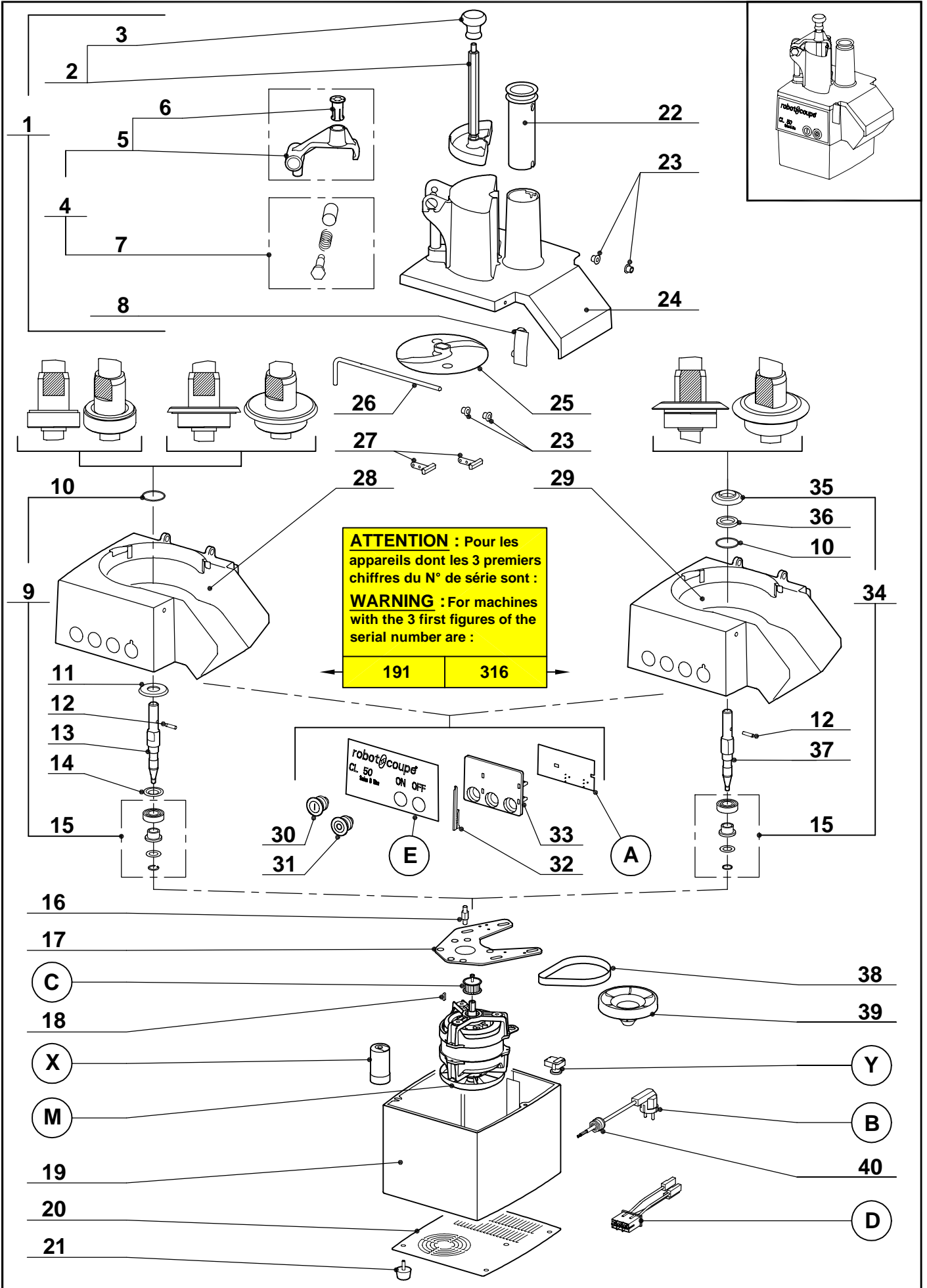
INDEX	REF.	DESIGNATION	Pricelist in : EUR
1	100062	CL50A SLING PLATE	10,90
2	29061	CL50A HINGE PIN	18,65
3	29536	CL50C/ULTRA REED SWITCH LID	48,10
4	405976	CL50 FRONT PLATE	13,55
5	502170	CL60 (D) GREEN LOW SPEED SWITCH TOP	12,45
6	502169	CL60 (D) RED SWITCH TOP	12,45
7	117703	R301U (C) PCB KEY	0,55
8	29533	MOUNT SPACER FOR PCB	11,95
9	117692	CL50D SUPPORT BRACE	3,05
10	117689	CL50D MOTOR SUPPORT	27,35
11	117687	CL52 BASE PLATE	42,55
12	500247	R4 RUBBER FOOT	1,35
13	102021	CL50A PUSHER KNOB SPACER	4,85
14	29060	R501Ua PUSHER PLATE ASSEMBLY	81,90
15	100709	CL50A PUSHER-ROUND	6,50
16	29064	PUSHER GUIDE ASS	99,10
17	100680	CL50A LID ONLY	148,15
18	29066	R501U LID LOCK CLAMP-NS	47,20
19	29078	R501U VEG LID ASSEMBLY	392,90
20	29058	CL60 HINGE BUSH KIT	6,25
21	29529	CL50C TOP CASING	313,90
22	501624	R502/602 MOTOR SEAL	3,15
23	29537	LID ILS ASS	48,10
24	110308	R501U SHAFT PIN MOTOR	2,00
25	117688	CL50C/ULTRA DRIVE SHAFT	86,65
26	515493	CL401 SHAFT BUSH-METAL	2,85
27	203064	RUBBING WASHER	0,70
28	203065	CL50C ST ST CIRCLIP	0,85
29	29523	TRANSMISSION SHAFT ASS	156,15
30	117682	CL50C/ULTRA ALLOY DRIVE PULLEY	8,15
31	515482	BELT	47,10
32	117686	CL50 C ULTRA COVER BASE	133,70
33	515515	CL60 CABLE GROMMET	3,45

robot coupe®

CL 50 Ultra "C "

Pricelist in : EUR

N°	M	Voltage	A	B	C	X	Y	
24267	3095 150,70	115 / 60 / 1	102480 48,10	507027 10,00	29530 54,85	603669 10,55	500296 13,10	
24268	3096 150,70	220 / 50 / 1	102480 48,10	507026 10,00	29530 54,85	600018 12,30	500289 13,10	
24269	3097 150,70	220 / 60 / 1	102480 48,10	507026 10,00	29530 54,85	603669 10,55	500289 13,10	
24285 ISR	3096 150,70	240 / 50 / 1	102480 48,10	507026 10,00	29530 54,85	600018 12,30	500289 13,10	
24270	303038 175,80	220 / 60 / 3	102479 74,80	515570 29,95	29532 54,85	---	---	
24273	303035 175,80	380 / 50 / 3	102479 74,80	515570 29,95	29532 54,85	---	---	
24274	303037 183,95	380 / 60 / 3	102479 74,80	515570 29,95	29532 54,85	---	---	
24276 ISR	303035 175,80	380 / 50 / 3	102479 74,80	515570 29,95	29532 54,85	---	---	





- (A)** CL50C SINGLE PHASE CIRCUIT BOARD
- (B)** 2P+EARTH CL50D DK POWER CORD
- (C)** MOTOR DRIVE PULLEY
- (D)** CL50D PCB CONNECTOR
- (E)** CL50D ULTRA FRONT PLATE
- (M)** CL50 D MOTOR 240V 50HZ
- (X)** CAPACITOR
- (Y)** MOTOR RELAY

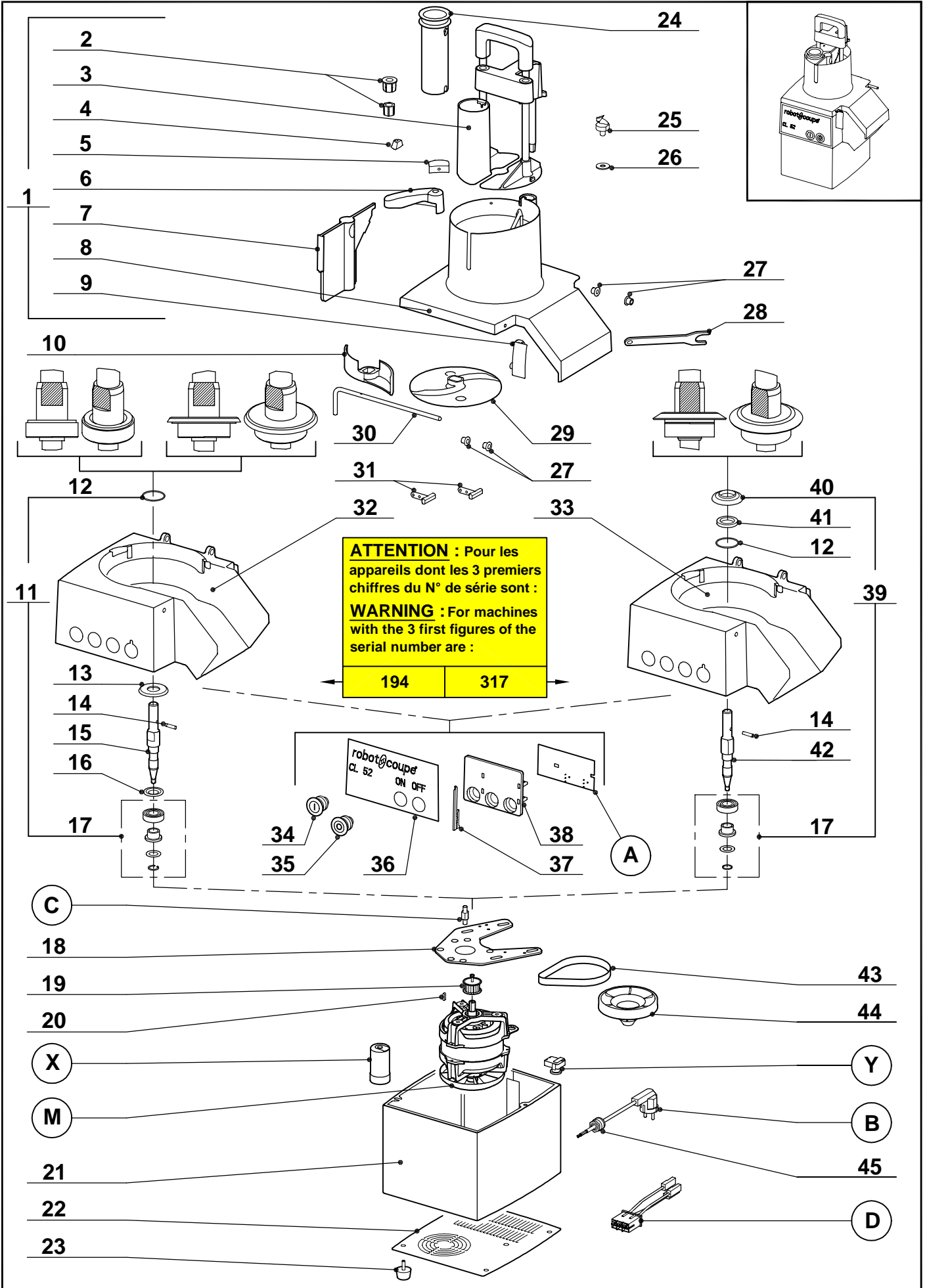
INDEX	REF.	DESIGNATION	Pricelist in : EUR
1	29627	CL50D VEG LID ASSEMBLY	392,90
2	29060	R501Ua PUSHER PLATE ASSEMBLY	81,90
3	102021	CL50A PUSHER KNOB SPACER	4,85
4	29738	CL50 (D) PUSHER GUIDE	99,10
5	39097	PUSHER GUIDE ASSEMBLY	103,75
6	100638	CL50A HEX BUSH-PUSHER GUIDE	1,45
7	39098	JAW SHAFT ASSEMBLY	31,90
8	29501	LOCK LATCH ASSY	47,20
9	29629	CL50D/ULTRA DRIVE SHAFT ASS KIT	156,15
10	504219	42X2 NBR70 TORIC SEAL	0,25
11	39197	CL50D SEAL ASSEMBLY	23,05
12	110308	R501U SHAFT PIN MOTOR	2,00
13	118373	CL50 (D) DRIVE SHAFT	86,65
14	203107	CL50D/ULTRA DRIVE SHAFT WASHER	3,50
15	29630	CL50D DRIVE SHAFT BEARING	16,10
16	117692	CL50D SUPPORT BRACE	3,05
17	117689	CL50D MOTOR SUPPORT	27,35
18	502768	CLAVETTE 4X4X16	Contact us
19	117686	CL50 C ULTRA COVER BASE	133,70
20	117687	CL52 BASE PLATE	42,55
21	500247	R4 RUBBER FOOT	1,35
22	118324	CL52D ROUND PUSHER	6,50
23	29058	CL60 HINGE BUSH KIT	6,25
24	118376	VEG SLICER LID	148,15
25	102690	CL50 D SLING PLATE	10,90
26	29061	CL50A HINGE PIN	18,65
27	29451	CL50D REED SWITCH	13,75
28	29628	CL50D BOWL ASSEMBLY	328,00
29	39200	CL50D BOWL ASSEMBLY	343,35
30	502170	CL60 (D) GREEN LOW SPEED SWITCH TOP	12,45
31	502169	CL60 (D) RED SWITCH TOP	12,45
32	117703	R301U (C) PCB KEY	0,55
33	29533	MOUNT SPACER FOR PCB	11,95
34	39198	CL50D RECEPT SHAFT ASSY	163,50
35	101547	CL50D DEFLECTOR	Contact us
36	501678	REDUCTOR PLATE + RINGS	6,40
37	104287	CL50 D DRIVING SHAFT	Contact us
38	515482	BELT	47,10
39	117682	CL50C/ULTRA ALLOY DRIVE PULLEY	8,15
40	515515	CL60 CABLE GROMMET	3,45



# CL 50 Ultra "D "

Pricelist in : EUR

N°	M	Voltage	A	B	C	D	E	X	Y	
24350	3114 150,65	230 / 50 / 1	102480 48,10	507026 10,00	29530 54,85	29599 6,85	406515 13,60	600018 12,30	500289 13,10	
24353	3116 150,65	220 / 60 / 1	102480 48,10	507026 10,00	29530 54,85	29599 6,85	406515 13,60	603669 10,55	500289 13,10	
24354	3115 150,65	115 / 60 / 1	102480 48,10	507027 10,00	29530 54,85	29599 6,85	406515 13,60	603669 10,55	500296 13,10	
24355	303080 175,80	400 / 50 / 3	102479 74,80	515570 29,95	29532 54,85	29600 6,85	406515 13,60	---	---	
24356	303077 175,80	220 / 60 / 3	102479 74,80	515570 29,95	29532 54,85	29600 6,85	406515 13,60	---	---	
24357	303078 175,80	380 / 60 / 3	102479 74,80	515570 29,95	29532 54,85	29600 6,85	406515 13,60	---	---	



**(A)** CL50C SINGLE PHASE CIRCUIT BOARD

**(B)**

**(C)** CL50D SUPPORT BRACE

**(D)** CL50D PCB CONNECTOR

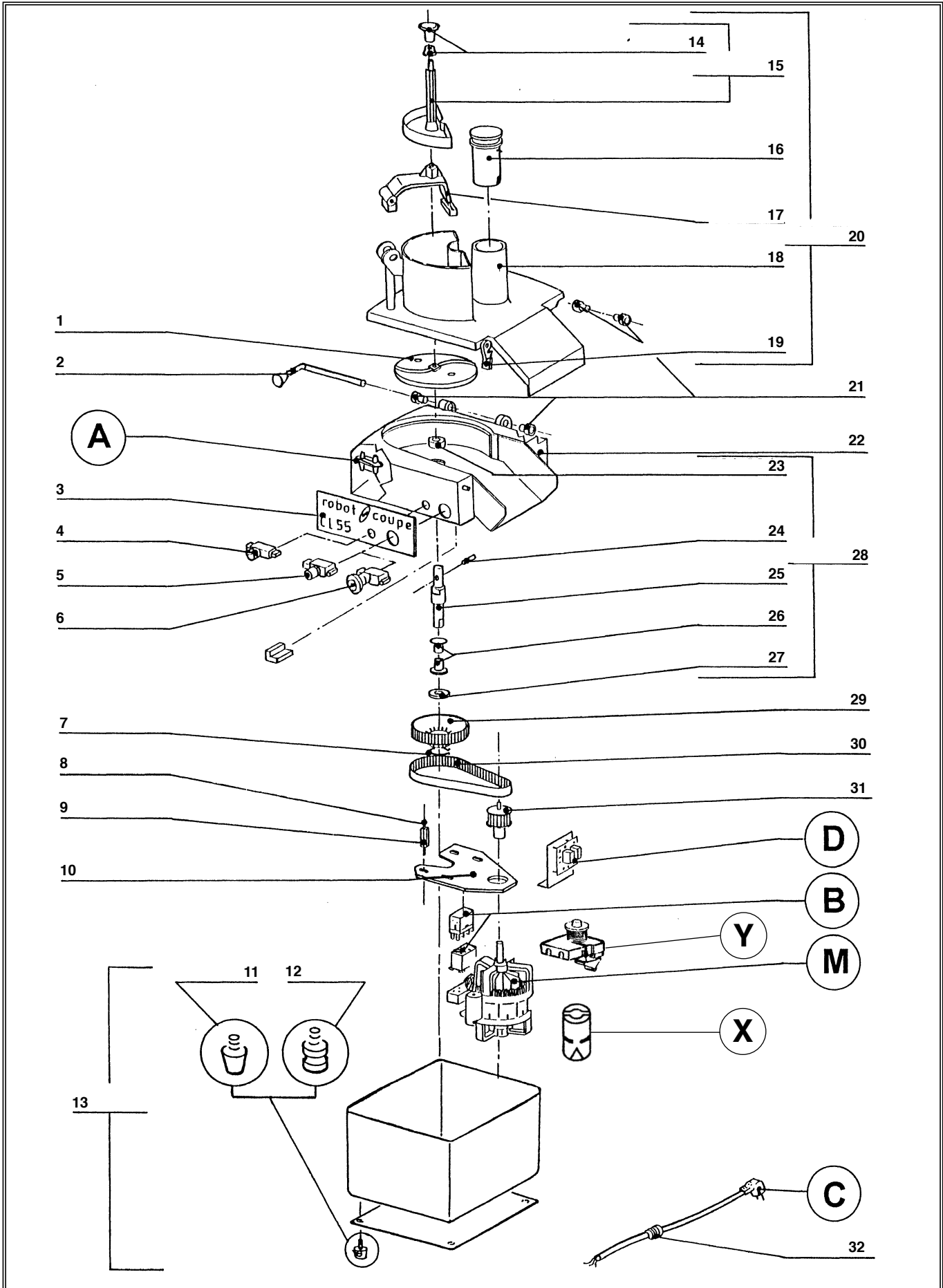
**(M)** (M)Motor Assy

**(X)** (L) Capacitor

**(Y)** (M)Capacitor Relay

INDEX	REF.	DESIGNATION	Pricelist in : EUR
1	29694	CL52 VEG HOPPER	445,65
2	29691	CL52 PUSHER GUIDE BUSH KIT	6,25
3	118428	CL52 COMPLETE PUSHER	191,05
4	29706	CL55 PUSHER STOP ASS	7,70
5	117321	CL55 (D) ANTI FRICTION STOP	1,35
6	29705	CL55 (D) MAGNET HOLDER	38,30
7	118008	CL52 HOPPER DIVIDER	17,40
8	118427	(L)Feed Lead	168,30
9	29501	LOCK LATCH ASSY	47,20
10	118420	D VERSION CABBAGE EJECTION PADDLE	11,30
11	29693	CL55/52 D DRIVE SHAFT KIT	156,15
12	504219	42X2 NBR70 TORIC SEAL	0,25
13	39197	CL50D SEAL ASSEMBLY	23,05
14	110308	R501U SHAFT PIN MOTOR	2,00
15	118380	SHAFT	86,65
16	203107	CL50D/ULTRA DRIVE SHAFT WASHER	3,50
17	29630	CL50D DRIVE SHAFT BEARING	16,10
18	117689	CL50D MOTOR SUPPORT	27,35
19	29532	MOTOR DRIVE PULLEY	54,85
20	502768	CLAVETTE 4X4X16	Contact us
21	118430	CL52 COVER BASE	149,20
22	117687	CL52 BASE PLATE	42,55
23	500247	R4 RUBBER FOOT	1,35
24	118324	CL52D ROUND PUSHER	6,50
25	29692	CL55 CABBAGE HEAD LOCKING HEAD CONE	41,55
26	117200	CL401 CONE WASHER	1,30
27	29058	CL60 HINGE BUSH KIT	6,25
28	118436	CL52 SPANNER	8,85
29	102690	CL50 D SLING PLATE	10,90
30	29061	CL50A HINGE PIN	18,65
31	29451	CL50D REED SWITCH	13,75
32	29628	CL50D BOWL ASSEMBLY	328,00
33	39200	CL50D BOWL ASSEMBLY	343,35
34	502170	CL60 (D) GREEN LOW SPEED SWITCH TOP	12,45
35	502169	CL60 (D) RED SWITCH TOP	12,45
36	406516	CL52 FRONT PLATE	13,60
37	117703	R301U (C) PCB KEY	0,55
38	29533	MOUNT SPACER FOR PCB	11,95
39	39199	CL55D RECEIPT SHAFT ASSY	163,50
40	101547	CL50D DEFLECTOR	Contact us
41	501678	REDUCTOR PLATE + RINGS	6,40
42	104295	DRIVING FRAME ASSEMBLY	Contact us
43	515482	BELT	47,10
44	117682	CL50C/ULTRA ALLOY DRIVE PULLEY	8,15
45	515515	CL60 CABLE GROMMET	3,45

N°	M	Voltage	A	B	C	D	X	Y	
24360	303082 331,25	230 / 50 / 1	102480 48,10	507026 10,00	119145 4,15	29599 6,85	508211 29,90	514030 48,45	
24363	303086 331,25	220 / 60 / 1	102480 48,10	507026 10,00	119145 4,15	29599 6,85	508211 29,90	503092 23,50	
24364	303081 331,25	115 / 60 / 1	102480 48,10	507027 10,00	119145 4,15	29599 6,85	501599 32,75	506176 32,85	
24365	303080 175,80	400 / 50 / 3	102479 74,80	517570 Contact us	117692 3,05	29600 6,85	---	---	
24366	303077 175,80	220 / 60 / 3	102479 74,80	517570 Contact us	117692 3,05	29600 6,85	---	---	
24367	303078 175,80	380 / 60 / 3	102479 74,80	517570 Contact us	117692 3,05	29600 6,85	---	---	



- (A)** CL50 SINGLE PHASE REED SWITCH
- (B)** CONTACTOR
- (C)** POWER CORD
- (D)** CIRCUIT BOARD
- (M)** CL55 220/60/1 MOTOR
- (X)** (L) Capacitor
- (Y)** (M)Capacitor Relay

INDEX	REF.	DESIGNATION	Pricelist in : EUR
1	100062	CL50A SLING PLATE	10,90
2	29061	CL50A HINGE PIN	18,65
3	400870	CL55 NAME PLATE	13,60
4	500322	GREEN KNOB	32,90
5	500321	RED KNOB	32,90
6	500300	CL50 RED SWITCH ASSEMBLY	31,85
7	209209	CL401 CIRCLIP E16	0,60
8	100768	CL50B STUD	1,65
9	101437	BRACE	1,75
10	101361	MOTOR SUPPORT PLATE	31,40
11	500247	R4 RUBBER FOOT	1,35
12	101418	CL55 RUBBER FOOT	1,15
13	29578	COVER BASE ASS	167,40
14	102021	CL50A PUSHER KNOB SPACER	4,85
15	29060	R501Ua PUSHER PLATE ASSEMBLY	81,90
16	100709	CL50A PUSHER-ROUND	6,50
17	29064	PUSHER GUIDE ASS	99,10
18	100680	CL50A LID ONLY	148,15
19	29066	R501U LID LOCK CLAMP-NS	47,20
20	29078	R501U VEG LID ASSEMBLY	392,90
21	29058	CL60 HINGE BUSH KIT	6,25
22	29221	CL55 TOP CASING	313,90
23	501624	R502/602 MOTOR SEAL	3,15
24	110308	R501U SHAFT PIN MOTOR	2,00
25	101428	CL55 DRIVE SHAFT	94,90
26	515493	CL401 SHAFT BUSH-METAL	2,85
27	141020	CL401 DRIVE SHAFT WASHER	2,00
28	29228	TRANSMISSION SHAFT ASS	156,05
29	130933	CL401 DRIVE PULLEY-METAL	8,15
30	515482	BELT	47,10
31	101438	PULLEY (20 teeth)	54,85
32	515515	CL60 CABLE GRÖMMET	3,45

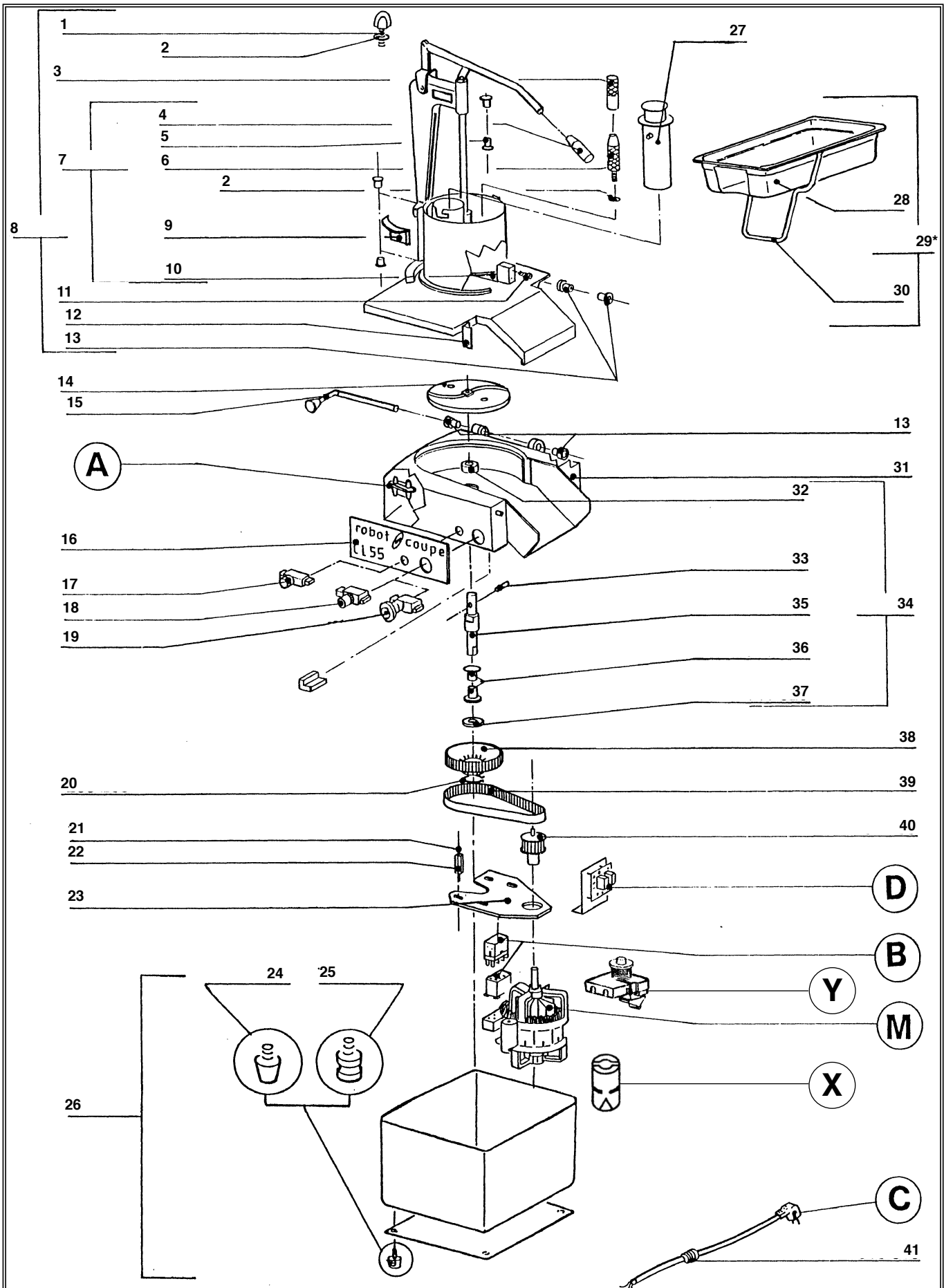


## CL 55 Traiteur

Pricelist in : EUR

N°	M	Voltage	A	B	C	D	X	Y	
24242	301015 331,30	220 / 50 / 1	101447 9,20	---	507322 10,00	102471 48,10	508211 29,90	514030 48,45	
24249	301014 352,30	115 / 60 / 1	101447 9,20	---	507329 10,00	102470 48,10	501599 32,75	506176 32,85	
24252	303001 364,25	220 / 60 / 1	101447 9,20	---	507328 10,00	102470 48,10	508211 29,90	506176 32,85	
24241	301013 331,30	380 / 50 / 3	101449 17,70	507650 76,65	502067 29,95	---	---	---	
24243	303023 368,75	220 / 50 / 3	101449 17,70	507650 76,65	502067 29,95	---	---	---	
24247	301012 352,30	220 / 60 / 3	101449 17,70	503888 54,45	501017 29,05	---	---	---	
24251	302084 424,80	380 / 60 / 3	101449 17,70	507650 76,65	502067 29,95	---	---	---	



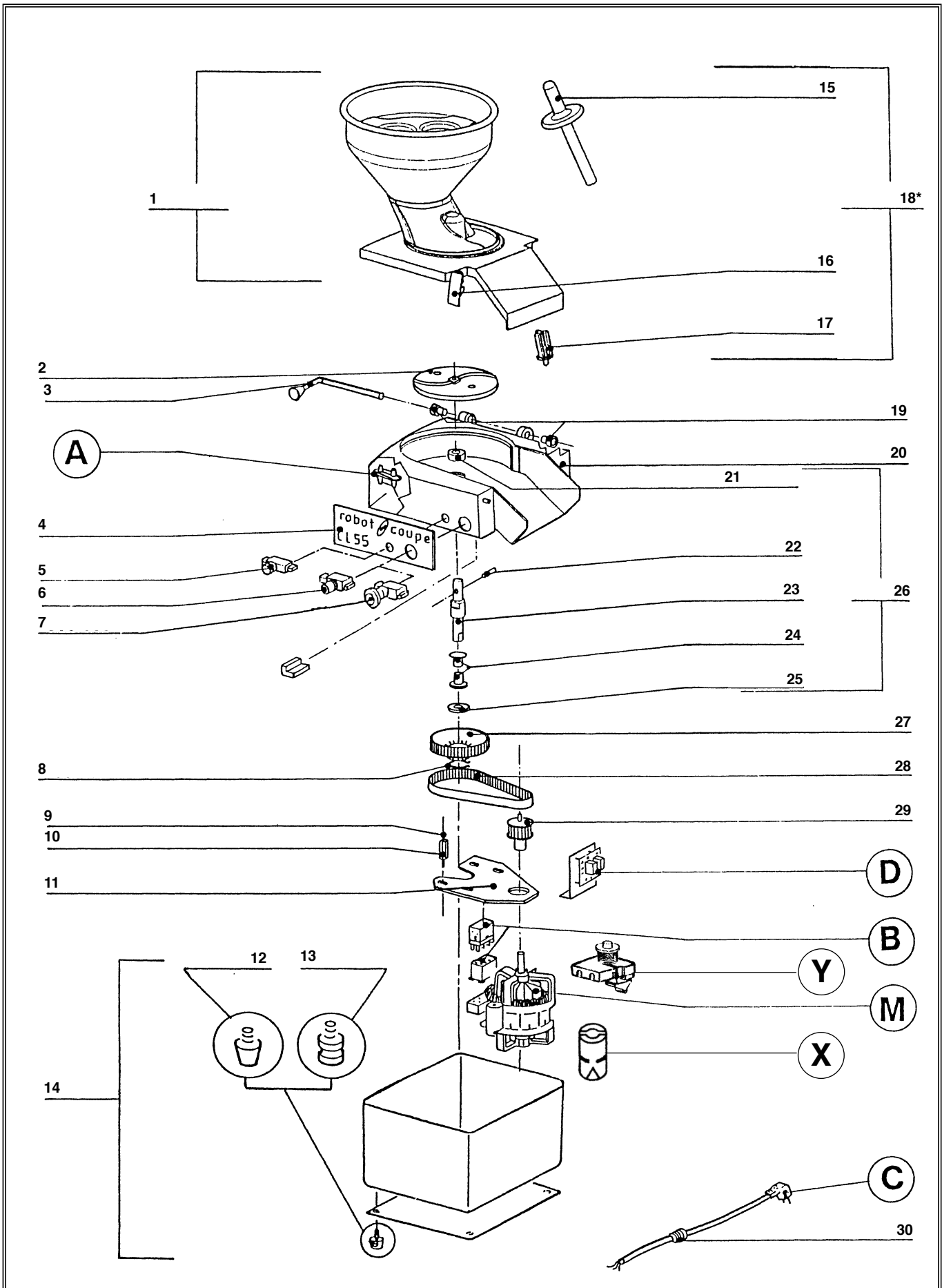


- (A)** CL50 SINGLE PHASE REED SWITCH
- (B)** CONTACTOR
- (C)** POWER CORD
- (D)** CIRCUIT BOARD
- (M)** CL55 220/60/1 MOTOR
- (X)** (L) Capacitor
- (Y)** (M)Capacitor Relay

INDEX	REF.	DESIGNATION	Pricelist in : EUR
1	117200	CL401 CONE WASHER	1,30
2	29187	CL60 CABBAGE HEAD CONE	41,55
3	101205	UNLOCKING TOOL	44,00
4	509179	HANDLE	10,60
5	122232	CL401 NYLON BUSH	1,10
6	29156	CL55 METAL LOCKING CONE	61,55
7	29193	PUSHER LEVEL ASS	732,35
8	29074	LID ASS	926,75
9	117321	CL55 (D) ANTI FRICTION STOP	1,35
10	101128	CL55 HOPPER BLADE	44,00
11	200178	CL60 SCREW TF/90 4x20	0,10
12	29066	R501U LID LOCK CLAMP-NS	47,20
13	29058	CL60 HINGE BUSH KIT	6,25
14	100062	CL50A SLING PLATE	10,90
15	29061	CL50A HINGE PIN	18,65
16	400870	CL55 NAME PLATE	13,60
17	500322	GREEN KNOB	32,90
18	500321	RED KNOB	32,90
19	500300	CL50 RED SWITCH ASSEMBLY	31,85
20	209209	CL401 CIRCLIP E16	0,60
21	100768	CL50B STUD	1,65
22	101437	BRACE	1,75
23	101361	MOTOR SUPPORT PLATE	31,40
24	500247	R4 RUBBER FOOT	1,35
25	101418	CL55 RUBBER FOOT	1,15
26	29578	COVER BASE ASS	167,40
27	101429	CL55 PUSHER 60MM	122,15
28	117631	(M)Catch Pan Tray Only	268,60
29	27154	CL55 FOOD TRAY	See Price list
30	117629	CL55 TRAY SUPPORT	95,35
31	29221	CL55 TOP CASING	313,90
32	501624	R502/602 MOTOR SEAL	3,15
33	110308	R501U SHAFT PIN MOTOR	2,00
34	29228	TRANSMISSION SHAFT ASS	156,05
35	101428	CL55 DRIVE SHAFT	94,90
36	515493	CL401 SHAFT BUSH-METAL	2,85
37	141020	CL401 DRIVE SHAFT WASHER	2,00
38	130933	CL401 DRIVE PULLEY-METAL	8,15
39	515482	BELT	47,10
40	101438	PULLEY (20 teeth)	54,85
41	515515	CL60 CABLE GRÖMMET	3,45

N°	M	Voltage	A	B	C	D	X	Y	
24230	301015 331,30	220 / 50 / 1	101447 9,20	---	507320 10,00	102471 48,10	508211 29,90	514030 48,45	
24232	301014 352,30	115 / 60 / 1	101447 9,20	---	507329 10,00	102470 48,10	501599 32,75	506176 32,85	
24240	303001 364,25	220 / 60 / 1	101447 9,20	---	507328 10,00	102470 48,10	508211 29,90	506176 32,85	
2971	301015 331,30	220 / 50 / 1	101447 9,20	---	507320 10,00	102471 48,10	508211 29,90	514030 48,45	
2979	301014 352,30	115 / 60 / 1	101447 9,20	---	507329 10,00	102470 48,10	501599 32,75	506176 32,85	
2999	303001 364,25	220 / 60 / 1	101447 9,20	---	507328 10,00	102470 48,10	508211 29,90	506176 32,85	
24235	303023 368,75	220 / 50 / 3	101449 17,70	507650 76,65	502067 29,95	---	---	---	
24236	301013 331,30	380 / 50 / 3	101449 17,70	507650 76,65	502067 29,95	---	---	---	
24238	301012 352,30	220 / 60 / 3	101449 17,70	503888 54,45	501017 29,05	---	---	---	

N°	M	Voltage	A	B	C	D	X	Y	
24239	302084 424,80	380 / 60 / 3	101449 17,70	507650 76,65	502067 29,95	---	---	---	
2970	301013 331,30	380 / 50 / 3	101449 17,70	507650 76,65	502067 29,95	---	---	---	
2975	301012 352,30	220 / 60 / 3	101449 17,70	503888 54,45	501017 29,05	---	---	---	
2976	303023 368,75	380 / 50 / 3	101449 17,70	507650 76,65	502067 29,95	---	---	---	
2983	302084 424,80	380 / 60 / 3	101449 17,70	507650 76,65	502067 29,95	---	---	---	



- (A)** CL50 SINGLE PHASE REED SWITCH
- (B)** CONTACTOR
- (C)** POWER CORD
- (D)** CIRCUIT BOARD
- (M)** CL55 220/60/1 MOTOR
- (X)** (L) Capacitor
- (Y)** (M)Capacitor Relay

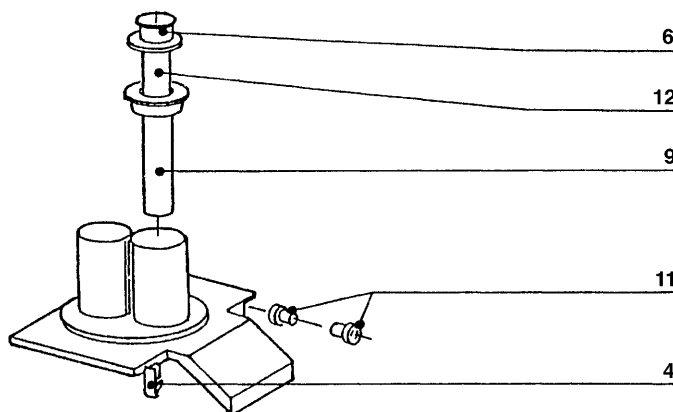
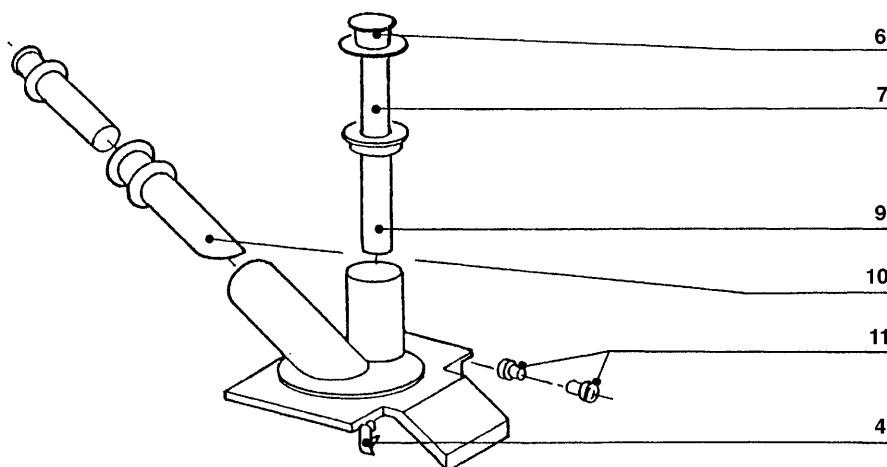
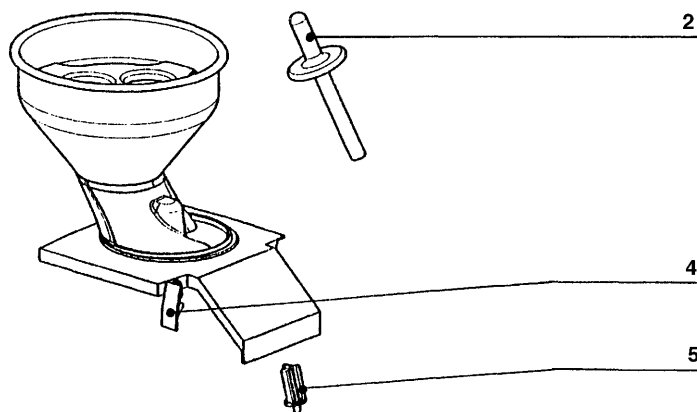
INDEX	REF.	DESIGNATION	Pricelist in : EUR
1	29593	*(M)Bulk Feed Lead	1 079,10
2	100062	CL50A SLING PLATE	10,90
3	29061	CL50A HINGE PIN	18,65
4	400870	CL55 NAME PLATE	13,60
5	500322	GREEN KNOB	32,90
6	500321	RED KNOB	32,90
7	500300	CL50 RED SWITCH ASSEMBLY	31,85
8	209209	CL401 CIRCLIP E16	0,60
9	100768	CL50B STUD	1,65
10	101437	BRACE	1,75
11	101361	MOTOR SUPPORT PLATE	31,40
12	500247	R4 RUBBER FOOT	1,35
13	101418	CL55 RUBBER FOOT	1,15
14	29578	COVER BASE ASS	167,40
15	117821	PUSHER	16,90
16	29066	R501U LID LOCK CLAMP-NS	47,20
17	117777	CL60 BFH CONE	24,00
18	28102	CL55 CONTINUOUS FEED HOPPER	See Price list
19	29058	CL60 HINGE BUSH KIT	6,25
20	29221	CL55 TOP CASING	313,90
21	501624	R502/602 MOTOR SEAL	3,15
22	110308	R501U SHAFT PIN MOTOR	2,00
23	101428	CL55 DRIVE SHAFT	94,90
24	515493	CL401 SHAFT BUSH-METAL	2,85
25	141020	CL401 DRIVE SHAFT WASHER	2,00
26	29228	TRANSMISSION SHAFT ASS	156,05
27	130933	CL401 DRIVE PULLEY-METAL	8,15
28	515482	BELT	47,10
29	101438	PULLEY (20 teeth)	54,85
30	515515	CL60 CABLE GROMMET	3,45

robot coupe®

CL 55 Auto

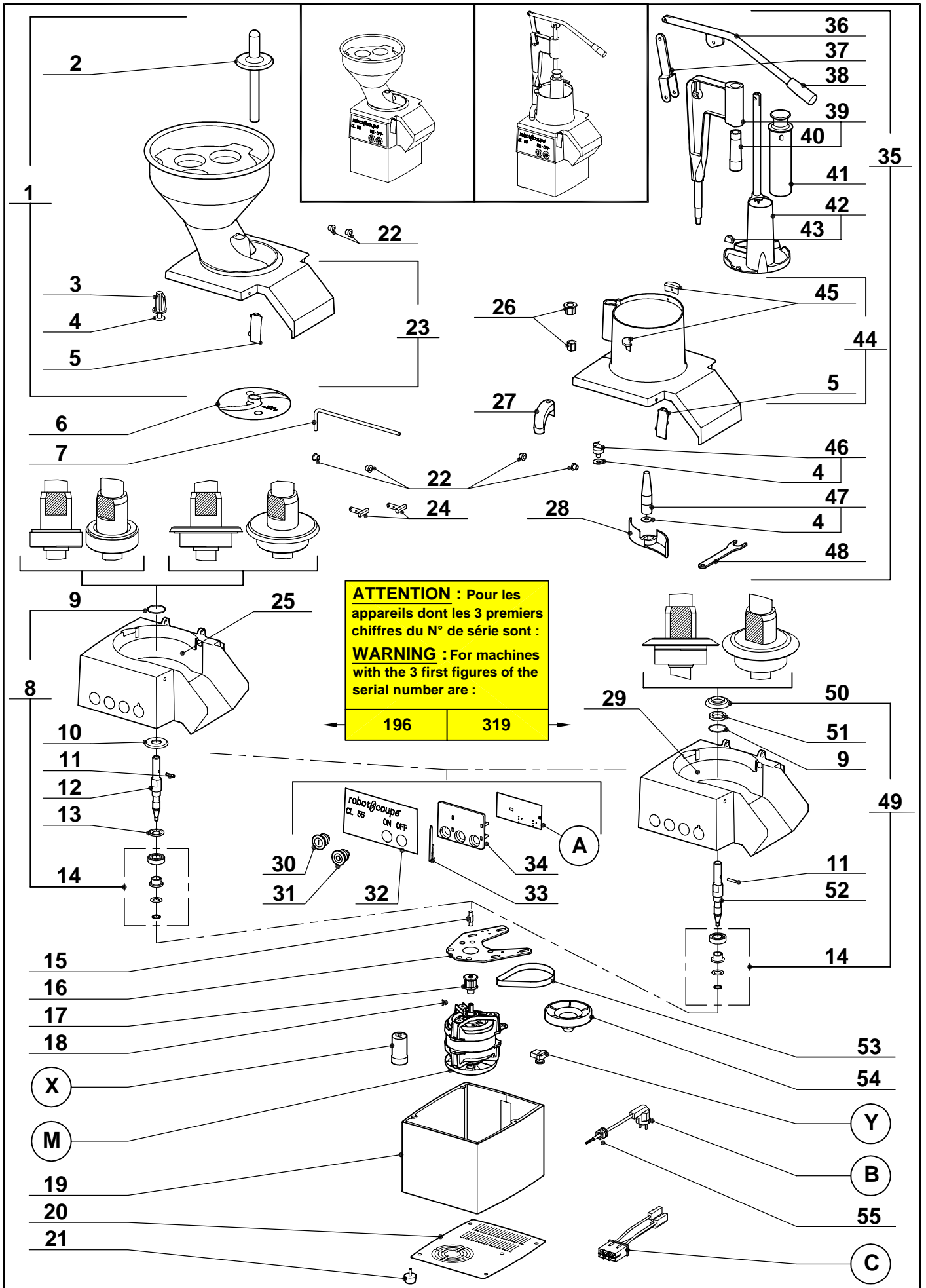
Pricelist in : EUR

N°	M	Voltage	A	B	C	D	X	Y	
24331	301015 331,30	230 / 50 / 1	101447 9,20	---	507320 10,00	102471 48,10	508211 29,90	514030 48,45	
24333	301014 352,30	115 / 60 / 1	101447 9,20	---	507329 10,00	102470 48,10	501599 32,75	506176 32,85	
24334	303001 364,25	220 / 60 / 1	101447 9,20	---	507328 10,00	102470 48,10	508211 29,90	506176 32,85	
24326	303023 368,75	230/400 / 50 / 3	101449 17,70	507650 76,65	502067 29,95	---	---	---	
24327	301013 331,30	400 / 50 / 3	101449 17,70	507650 76,65	502067 29,95	---	---	---	
24329	301012 352,30	220 / 60 / 3	101449 17,70	503888 54,45	501017 29,05	---	---	---	
24330	302084 424,80	380 / 60 / 3	101449 17,70	507650 76,65	502067 29,95	---	---	---	





INDEX	REF.	DESIGNATION	Pricelist in : EUR
2	117821	PUSHER	16,90
4	29066	R501U LID LOCK CLAMP-NS	47,20
5	117777	CL60 BFH CONE	24,00
6	101263	CL60 50MM PUSHER NEW STYLE	122,15
7	101278	PUSHER D70	122,15
9	101417	STRAIGHT INSERT D50	134,35
10	101415	BIAIS INSERT D50	137,20
11	29058	CL60 HINGE BUSH KIT	6,25
12	101279	CL60 75MM PUSHER NEW STYLE	122,15



- (A)** CL50C SINGLE PHASE CIRCUIT BOARD
- (B)** POWER CORD
- (C)** CL50D PCB CONNECTOR
- (D)** CONNECTION BEAM
- (M)** (M)Motor Assy
- (X)** (L) Capacitor
- (Y)** (M)Capacitor Relay

INDEX	REF.	DESIGNATION	Pricelist in : EUR
1	28102	CL55 CONTINUOUS FEED HOPPER	See Price list
2	117821	PUSHER	16,90
3	117777	CL60 BFH CONE	24,00
4	117200	CL401 CONE WASHER	1,30
5	29501	LOCK LATCH ASSY	47,20
6	102690	CL50 D SLING PLATE	10,90
7	29061	CL50A HINGE PIN	18,65
8	29693	CL55/52 D DRIVE SHAFT KIT	156,15
9	504219	42X2 NBR70 TORIC SEAL	0,25
10	39197	CL50D SEAL ASSEMBLY	23,05
11	110308	R501U SHAFT PIN MOTOR	2,00
12	118380	SHAFT	86,65
13	203107	CL50D/ULTRA DRIVE SHAFT WASHER	3,50
14	29630	CL50D DRIVE SHAFT BEARING	16,10
15	119145	VACUUM VCM GREY SEAL	4,15
16	117689	CL50D MOTOR SUPPORT	27,35
17	29532	MOTOR DRIVE PULLEY	54,85
18	502768	CLAVETTE 4X4X16	Contact us
19	117791	CL55 BASE SURROUND	149,20
20	117687	CL52 BASE PLATE	42,55
21	500247	R4 RUBBER FOOT	1,35
22	29058	CL60 HINGE BUSH KIT	6,25
23	29593	*(M)Bulk Feed Lead	1 079,10
24	29451	CL50D REED SWITCH	13,75
25	29628	CL50D BOWL ASSEMBLY	328,00
26	29707	CL55 (D) HUB RING ASSEMBLY	7,85
27	29705	CL55 (D) MAGNET HOLDER	38,30
28	118420	D VERSION CABBAGE EJECTION PADDLE	11,30
29	39200	CL50D BOWL ASSEMBLY	343,35
30	502170	CL60 (D) GREEN LOW SPEED SWITCH TOP	12,45
31	502169	CL60 (D) RED SWITCH TOP	12,45
32	406517	(M)Front Data Plate	13,60
33	117703	R301U (C) PCB KEY	0,55
34	29533	MOUNT SPACER FOR PCB	11,95
35	28103	CL55 PUSHER FEED HEAD	See Price list
36	29710	CL55D LEVER ASSEMBLY	88,40
37	103205	CL55 (D) PIVOT ARM HINGE	44,65
38	509200	(Q) Plastic Handle, CL60D	10,60
39	29704	CL55 (D) PUSHER GUIDE ARM	105,55
40	118331	CL55 (D) PUSHER GUIDE BUSH	2,15
41	118397	CL55D PUSHER DIAM.60	37,35
42	29709	CL55D PUSHER ASSEMBLY	136,50
43	29706	CL55 PUSHER STOP ASS	7,70
44	29708	CL55 D HOPPER ONLY	220,90
45	117321	CL55 (D) ANTI FRICTION STOP	1,35
46	29692	CL55 CABBAGE HEAD LOCKING HEAD CONE	41,55
47	29156	CL55 METAL LOCKING CONE	61,55
48	118436	CL52 SPANNER	8,85
49	39199	CL55D RECEIPT SHAFT ASSY	163,50
50	101547	CL50D DEFLECTOR	Contact us
51	501678	REDUCTOR PLATE + RINGS	6,40
52	104295	DRIVING FRAME ASSEMBLY	Contact us
53	515482	BELT	47,10

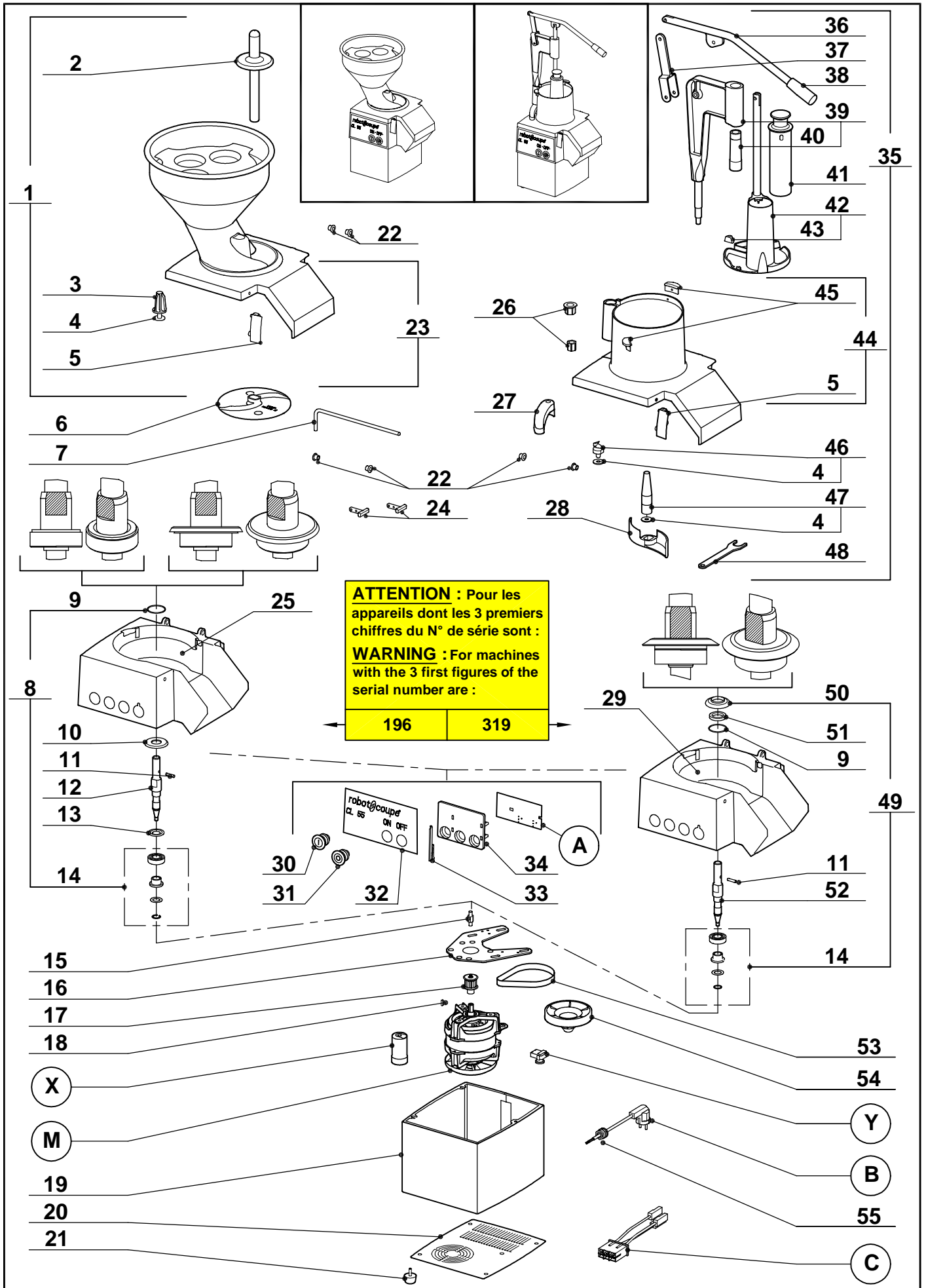
N°	M	Voltage	A	B	C	D	X	Y	
2733	303082 331,25	230 / 50 / 1	102480 48,10	507026 10,00	29599 6,85	---	508211 29,90	514030 48,45	
2736	303086 331,25	220 / 60 / 1	102480 48,10	507026 10,00	29599 6,85	---	508211 29,90	503092 23,50	
2737	303081 331,25	115 / 60 / 1	102480 48,10	507027 10,00	29599 6,85	---	501599 32,75	506176 32,85	
2741 sans	303082 331,25	230 / 50 / 1	102480 48,10	507026 10,00	29599 6,85	---	508211 29,90	514030 48,45	
2744 sans	303086 331,25	220 / 60 / 1	102480 48,10	507026 10,00	29599 6,85	---	508211 29,90	503092 23,50	
2745 sans	303081 331,25	115 / 60 / 1	102480 48,10	507027 10,00	29599 6,85	---	501599 32,75	506176 32,85	
2738 sans	303083 331,25	400 / 50 / 3	102479 74,80	515570 29,95	29600 6,85	---	---	---	
2739 sans	303084 331,25	220 / 60 / 3	102479 74,80	515570 29,95	29532 54,85	29600 6,85	---	---	
2740 sans	303085 331,25	380 / 60 / 3	102479 74,80	515570 29,95	29532 54,85	29600 6,85	---	---	



## CL 55 D Levier

Pricelist in : EUR

N°	M	Voltage	A	B	C	D	X	Y	
2746	303083 331,25	400 / 50 / 3	102479 74,80	515570 29,95	29600 6,85	---	---	---	
2747	303084 331,25	220 / 60 / 3	102479 74,80	515570 29,95	29532 54,85	29600 6,85	---	---	
2748	303085 331,25	380 / 60 / 3	102479 74,80	515570 29,95	29532 54,85	29600 6,85	---	---	
2765 sans	303099 368,75	230/400 / 50 / 3	102479 74,80	515570 29,95	29600 6,85	---	---	---	
2767	303099 368,75	230/400 / 50 / 3	102479 74,80	515570 29,95	29600 6,85	---	---	---	



- (A)** CL50C SINGLE PHASE CIRCUIT BOARD
- (B)** POWER CORD
- (C)** CL50D PCB CONNECTOR
- (D)** CONNECTION BEAM
- (M)** (M)Motor Assy
- (X)** (L) Capacitor
- (Y)** (M)Capacitor Relay

INDEX	REF.	DESIGNATION	Pricelist in : EUR
1	28102	CL55 CONTINUOUS FEED HOPPER	See Price list
2	117821	PUSHER	16,90
3	117777	CL60 BFH CONE	24,00
4	117200	CL401 CONE WASHER	1,30
5	29501	LOCK LATCH ASSY	47,20
6	102690	CL50 D SLING PLATE	10,90
7	29061	CL50A HINGE PIN	18,65
8	29693	CL55/52 D DRIVE SHAFT KIT	156,15
9	504219	42X2 NBR70 TORIC SEAL	0,25
10	39197	CL50D SEAL ASSEMBLY	23,05
11	110308	R501U SHAFT PIN MOTOR	2,00
12	118380	SHAFT	86,65
13	203107	CL50D/ULTRA DRIVE SHAFT WASHER	3,50
14	29630	CL50D DRIVE SHAFT BEARING	16,10
15	119145	VACUUM VCM GREY SEAL	4,15
16	117689	CL50D MOTOR SUPPORT	27,35
17	29532	MOTOR DRIVE PULLEY	54,85
18	502768	CLAVETTE 4X4X16	Contact us
19	117791	CL55 BASE SURROUND	149,20
20	117687	CL52 BASE PLATE	42,55
21	500247	R4 RUBBER FOOT	1,35
22	29058	CL60 HINGE BUSH KIT	6,25
23	29593	*(M)Bulk Feed Lead	1 079,10
24	29451	CL50D REED SWITCH	13,75
25	29628	CL50D BOWL ASSEMBLY	328,00
26	29707	CL55 (D) HUB RING ASSEMBLY	7,85
27	29705	CL55 (D) MAGNET HOLDER	38,30
28	118420	D VERSION CABBAGE EJECTION PADDLE	11,30
29	39200	CL50D BOWL ASSEMBLY	343,35
30	502170	CL60 (D) GREEN LOW SPEED SWITCH TOP	12,45
31	502169	CL60 (D) RED SWITCH TOP	12,45
32	406517	(M)Front Data Plate	13,60
33	117703	R301U (C) PCB KEY	0,55
34	29533	MOUNT SPACER FOR PCB	11,95
35	28103	CL55 PUSHER FEED HEAD	See Price list
36	29710	CL55D LEVER ASSEMBLY	88,40
37	103205	CL55 (D) PIVOT ARM HINGE	44,65
38	509200	(Q) Plastic Handle, CL60D	10,60
39	29704	CL55 (D) PUSHER GUIDE ARM	105,55
40	118331	CL55 (D) PUSHER GUIDE BUSH	2,15
41	118397	CL55D PUSHER DIAM.60	37,35
42	29709	CL55D PUSHER ASSEMBLY	136,50
43	29706	CL55 PUSHER STOP ASS	7,70
44	29708	CL55 D HOPPER ONLY	220,90
45	117321	CL55 (D) ANTI FRICTION STOP	1,35
46	29692	CL55 CABBAGE HEAD LOCKING HEAD CONE	41,55
47	29156	CL55 METAL LOCKING CONE	61,55
48	118436	CL52 SPANNER	8,85
49	39199	CL55D RECEIPT SHAFT ASSY	163,50
50	101547	CL50D DEFLECTOR	Contact us
51	501678	REDUCTOR PLATE + RINGS	6,40
52	104295	DRIVING FRAME ASSEMBLY	Contact us
53	515482	BELT	47,10

robot coupe®

CL 55 D Auto

Pricelist in : EUR

N°	M	Voltage	A	B	C	D	X	Y	
2749	303082 331,25	230 / 50 / 1	102480 48,10	507026 10,00	29599 6,85	---	508211 29,90	514030 48,45	
2752	303086 331,25	220 / 60 / 1	102480 48,10	507026 10,00	29599 6,85	---	508211 29,90	503092 23,50	
2753	303081 331,25	115 / 60 / 1	102480 48,10	507027 10,00	29599 6,85	---	501599 32,75	506176 32,85	
2757	303082 331,25	230 / 50 / 1	102480 48,10	507026 10,00	29599 6,85	---	508211 29,90	514030 48,45	
2760	303086 331,25	220 / 60 / 1	102480 48,10	507026 10,00	29599 6,85	---	508211 29,90	503092 23,50	
2761	303081 331,25	115 / 60 / 1	102480 48,10	507027 10,00	29599 6,85	---	501599 32,75	506176 32,85	
2754	303083 331,25	400 / 50 / 3	102479 74,80	515570 29,95	29600 6,85	---	---	---	
2755	303084 331,25	220 / 60 / 3	102479 74,80	515570 29,95	29532 54,85	29600 6,85	---	---	
2756	303085 331,25	380 / 60 / 3	102479 74,80	515570 29,95	29532 54,85	29600 6,85	---	---	

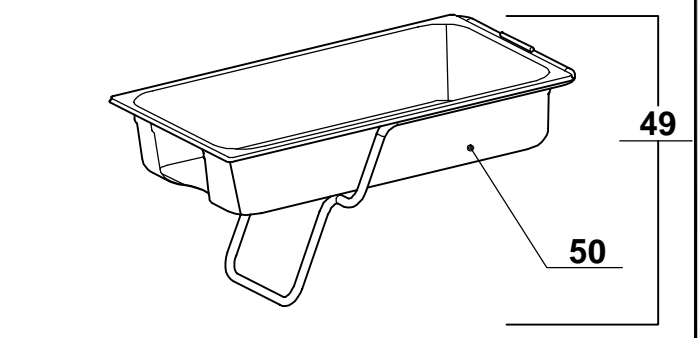
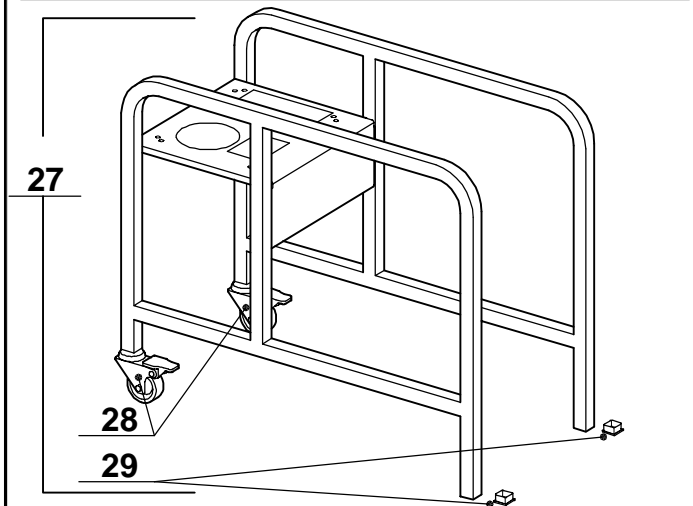
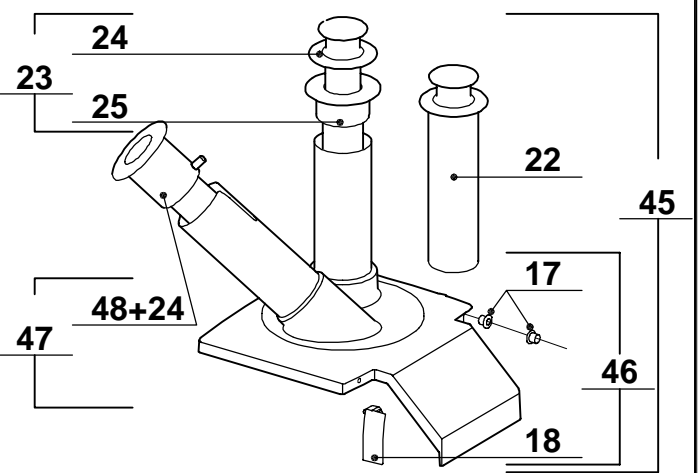
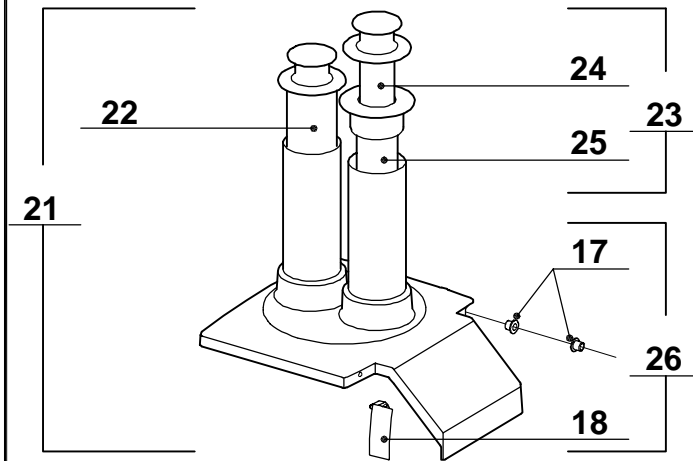
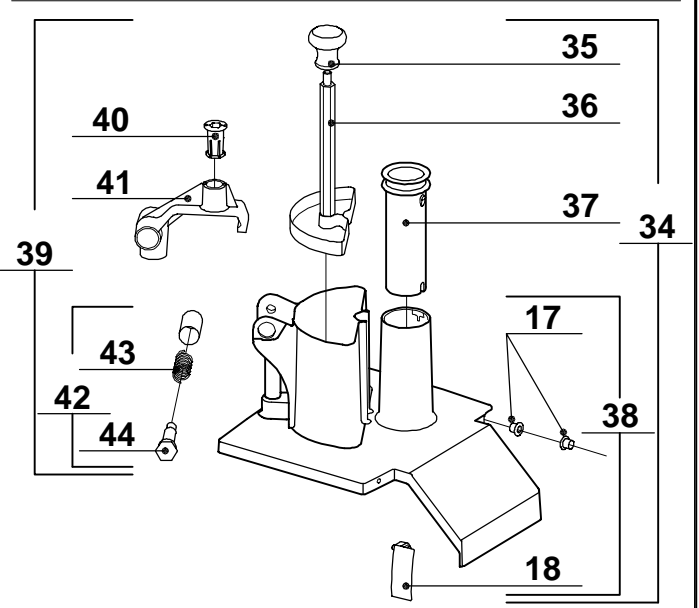
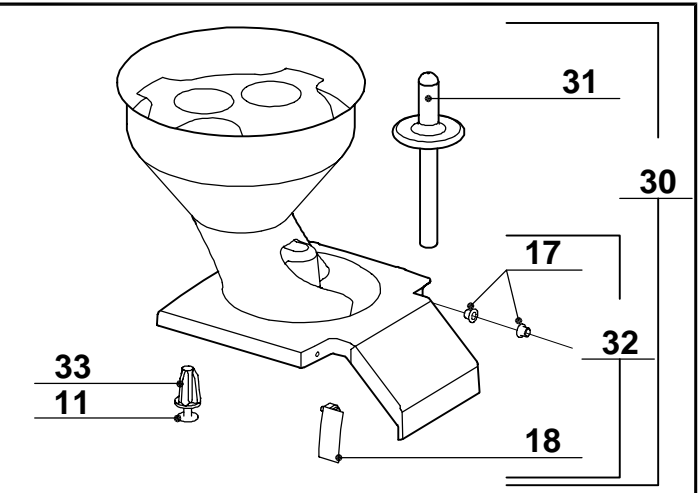
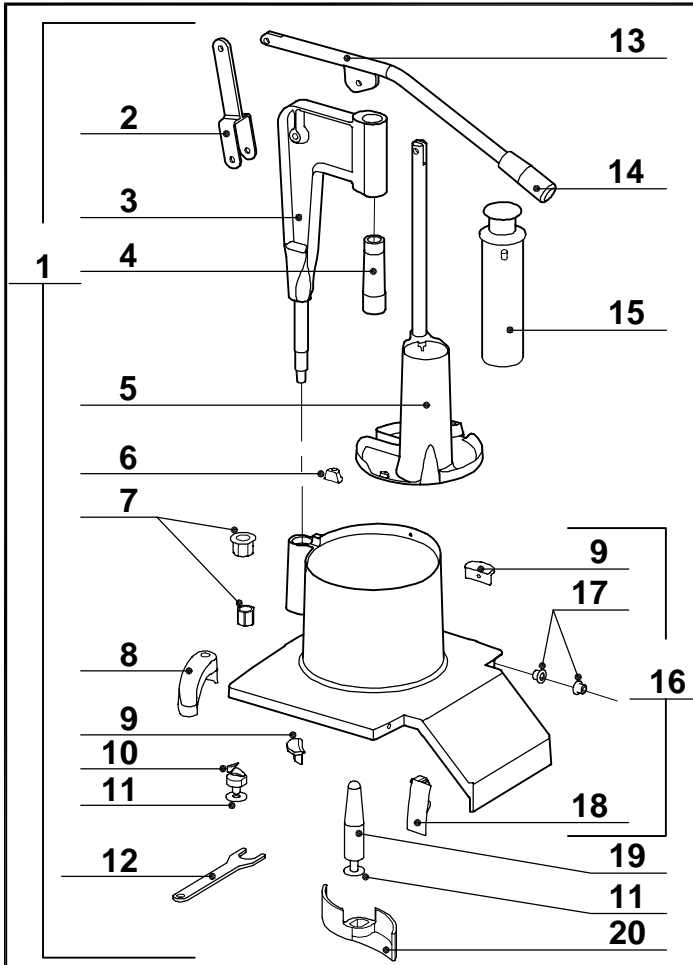


robot coupe®

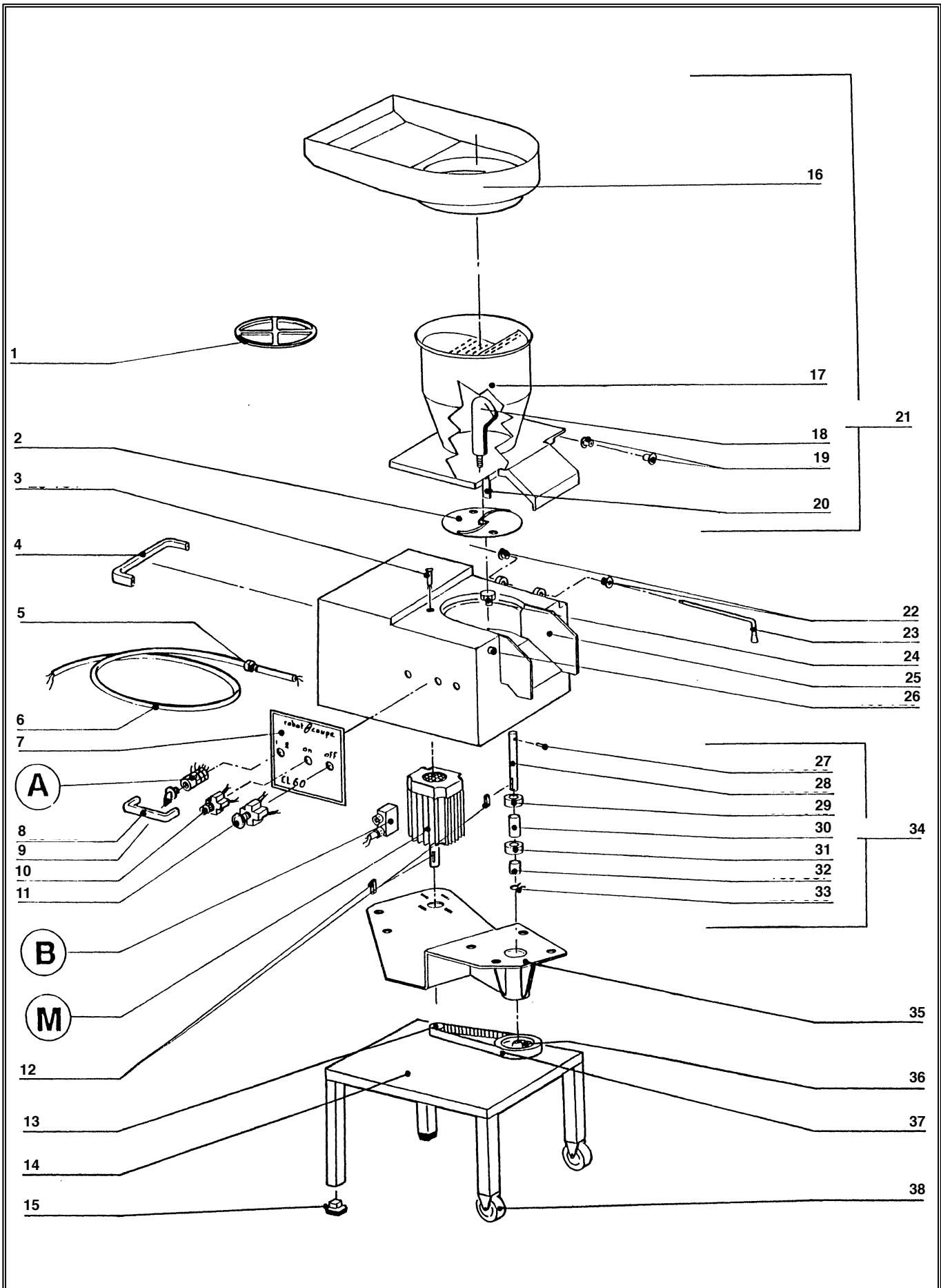
CL 55 D Auto

Pricelist in : EUR

N°	M	Voltage	A	B	C	D	X	Y	
2762	303083 331,25	400 / 50 / 3	102479 74,80	515570 29,95	29600 6,85	---	---	---	
2763	303084 331,25	220 / 60 / 3	102479 74,80	515570 29,95	29600 6,85	---	---	---	
2764	303085 331,25	380 / 60 / 3	102479 74,80	515570 29,95	29600 6,85	---	---	---	
2766	303099 368,75	230/400 / 50 / 3	102479 74,80	515570 29,95	29600 6,85	---	---	---	
2768	303099 368,75	230/400 / 50 / 3	102479 74,80	515570 29,95	29600 6,85	---	---	---	



INDEX	REF.	DESIGNATION	Pricelist in : EUR
1	28103	CL55 PUSHER FEED HEAD	See Price list
2	103205	CL55 (D) PIVOT ARM HINGE	44,65
3	118329	SUPPORT LEVIER CL55D	213,85
4	118331	CL55 (D) PUSHER GUIDE BUSH	2,15
5	29709	CL55D PUSHER ASSEMBLY	136,50
6	29706	CL55 PUSHER STOP ASS	7,70
7	29707	CL55 (D) HUB RING ASSEMBLY	7,85
8	29705	CL55 (D) MAGNET HOLDER	38,30
9	117321	CL55 (D) ANTI FRICTION STOP	1,35
10	29692	CL55 CABBAGE HEAD LOCKING HEAD CONE	41,55
11	117200	CL401 CONE WASHER	1,30
12	118436	CL52 SPANNER	8,85
13	29710	CL55D LEVER ASSEMBLY	88,40
14	509200	(Q) Plastic Handle, CL60D	10,60
15	118397	CL55D PUSHER DIAM.60	37,35
16	29708	CL55 D HOPPER ONLY	220,90
17	29058	CL60 HINGE BUSH KIT	6,25
18	29501	LOCK LATCH ASSY	47,20
19	29156	CL55 METAL LOCKING CONE	61,55
20	118420	D VERSION CABBAGE EJECTION PADDLE	11,30
21	28154	STRAIGHT TUBE F HEAD CL55	Contact us
22	101538	PUSHER D70	73,60
23	39090	STRAIGHT INSERT D50 ASSY	208,00
24	101539	PUSHER D50	63,80
25	101535	STRAIGHT INSER D50	147,15
26	39092	STRAIGHT TUBE LID ASSY	451,25
27	27023	CL55 MOBILE STAND	Contact us
28	504266	CL55D BRAKE ROLLER D60	112,85
29	504268	CL55D BUFFER 25X25	8,65
30	28102	CL55 CONTINUOUS FEED HOPPER	See Price list
31	117821	PUSHER	16,90
32	29593	*(M)Bulk Feed Lead	1 079,10
33	117777	CL60 BFH CONE	24,00
34	28142	CL55 HALF MOON HOPPER	Contact us
35	102021	CL50A PUSHER KNOB SPACER	4,85
36	29060	R501Ua PUSHER PLATE ASSEMBLY	81,90
37	118324	CL52D ROUND PUSHER	6,50
38	118376	VEG SLICER LID	148,15
39	29738	CL50 (D) PUSHER GUIDE	99,10
40	100638	CL50A HEX BUSH-PUSHER GUIDE	1,45
41	39097	PUSHER GUIDE ASSEMBLY	103,75
42	39098	JAW SHAFT ASSEMBLY	31,90
43	100556	CL50A HINGE SPRING	5,75
44	118374	JAW'S SHAFT	Contact us
45	28155	CL55 STRAIGHT & BIAIS CUT FEED HEAD	See Price list
46	39093	TILTED TUBE LID ASSY	510,15
47	39091	TILTED INSERT D50 ASSY	176,60
48	101537	TILTED INSER D50	176,60
49	27154	CL55 FOOD TRAY	See Price list
50	117631	(M)Catch Pan Tray Only	268,60



- (A)** CL60 ROTARY SWITCH
- (B)** CONTACTOR
- (M)** CL60 MOTOR NOT AVAILABLE

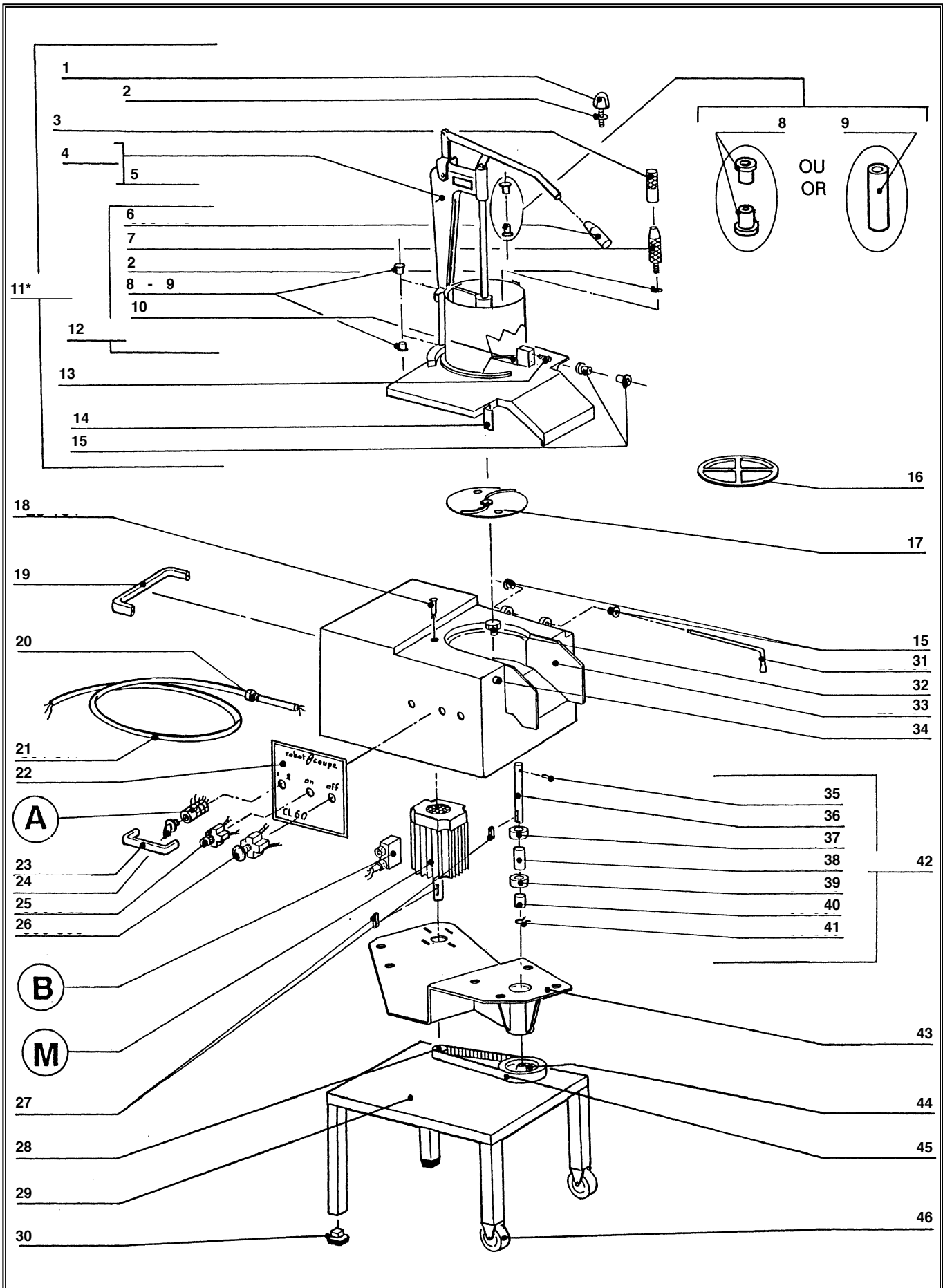
INDEX	REF.	DESIGNATION	Pricelist in : EUR
1	101126	CL60 DICER SUPPORT	34,55
2	100062	CL50A SLING PLATE	10,90
3	29164	CL60 REED SWITCH ASSEMBLY	8,90
4	500561	CL60 HANDLE	33,75
5	515515	CL60 CABLE GROMMET	3,45
6	501017	POWER CORD	29,05
7	400308	CL60 NAME PLATE	15,20
8	29220	CL60 SPEED PROCTECTOR HANDLE	16,80
9	500802	CL60 ROTARY SWITCH HANDLE	13,55
10	500322	GREEN KNOB	32,90
11	500300	CL50 RED SWITCH ASSEMBLY	31,85
12	203015	CL60 KEY	0,70
13	100869	CL60 MOTOR PULLEY	54,70
14	29519	SEATING ASS	707,95
15	100852	CL60 FOOT	12,85
16	101024	FEEDING TRAY	610,25
17	101055	HOPPER	433,15
18	101056	CL60 DISC LOCK/DHD	103,95
19	29058	CL60 HINGE BUSH KIT	6,25
20	29066	R501U LID LOCK CLAMP-NS	47,20
21	28018	AUTOMATIC FEED HEAD	See Price list
22	29058	CL60 HINGE BUSH KIT	6,25
23	29162	LOCKING ROD ASS	34,95
24	29160	CL60 MOTOR SEAL/SOCKET ASSEMBL	75,80
25	29239	FRAME ASS	1 139,15
26	100726	R501U LID LATCH HASP ASSEMBLY	3,70
27	110308	R501U SHAFT PIN MOTOR	2,00
28	100863	CL60 DRIVE SHAFT	186,80
29	504328	CL60 BEARING 6304 2RS	44,45
30	100866	CL60 BEARING BRACE	44,00
31	504328	CL60 BEARING 6304 2RS	44,45
32	100867	CL60 LOCKING BRACE	25,40
33	200008	CL60 CIRCLIP	2,05
34	29163	CL60 DRIVE SHAFT ASS/KIT	373,50
35	100862	CL60 MOTOR MOUNTING BRACKET	265,50
36	100868	CL60 DRIVE PULLEY	80,10
37	500845	BELT	50,05
38	503338	WHEEL	6,10

**robot coupe**

**CL 60 Auto**

**Pricelist in : EUR**

N°	M	Voltage	A	B	
24058	301007 781,15	380 / 50 / 3	500849 58,45	507650 76,65	
24059	301010 817,75	220-380 / 50 / 3	500902 106,50	507650 76,65	
24061	301009 781,15	220 / 60 / 3	500849 58,45	503888 54,45	



- (A)** CL60 ROTARY SWITCH
- (B)** CONTACTOR
- (M)** CL60 MOTOR NOT AVAILABLE

INDEX	REF.	DESIGNATION	Pricelist in : EUR
1	29187	CL60 CABBAGE HEAD CONE	41,55
2	117200	CL401 CONE WASHER	1,30
3	101205	UNLOCKING TOOL	44,00
4	29588	CL60 PUSHER GUIDE ARM	204,25
5	117280	CL60 CENTRING RING	11,00
6	509179	HANDLE	10,60
7	29156	CL55 METAL LOCKING CONE	61,55
8	101112	CL60 BUSH/C.F.HOPPER	0,65
9	117280	CL60 CENTRING RING	11,00
10	101128	CL55 HOPPER BLADE	44,00
11	28026	CL60 HOPPER-CONTROLLED FEED	Contact us
12	29186	PUSHER LEVEL ASS	732,35
13	200178	CL60 SCREW TF/90 4x20	0,10
14	29066	R501U LID LOCK CLAMP-NS	47,20
15	29058	CL60 HINGE BUSH KIT	6,25
16	101126	CL60 DICER SUPPORT	34,55
17	100062	CL50A SLING PLATE	10,90
18	29164	CL60 REED SWITCH ASSEMBLY	8,90
19	500561	CL60 HANDLE	33,75
20	515515	CL60 CABLE GROMMET	3,45
21	501017	POWER CORD	29,05
22	400308	CL60 NAME PLATE	15,20
23	29220	CL60 SPEED PROTECTOR HANDLE	16,80
24	500802	CL60 ROTARY SWITCH HANDLE	13,55
25	500322	GREEN KNOB	32,90
26	500300	CL50 RED SWITCH ASSEMBLY	31,85
27	203015	CL60 KEY	0,70
28	100869	CL60 MOTOR PULLEY	54,70
29	29519	SEATING ASS	707,95
30	100852	CL60 FOOT	12,85
31	29162	LOCKING ROD ASS	34,95
32	29160	CL60 MOTOR SEAL/SOCKET ASSEMBL	75,80
33	29239	FRAME ASS	1 139,15
34	100726	R501U LID LATCH HASP ASSEMBLY	3,70
35	110308	R501U SHAFT PIN MOTOR	2,00
36	100863	CL60 DRIVE SHAFT	186,80
37	504328	CL60 BEARING 6304 2RS	44,45
38	100866	CL60 BEARING BRACE	44,00
39	504328	CL60 BEARING 6304 2RS	44,45
40	100867	CL60 LOCKING BRACE	25,40
41	200008	CL60 CIRCLIP	2,05
42	29163	CL60 DRIVE SHAFT ASS/KIT	373,50
43	100862	CL60 MOTOR MOUNTING BRACKET	265,50
44	100868	CL60 DRIVE PULLEY	80,10
45	500845	BELT	50,05
46	503338	WHEEL	6,10

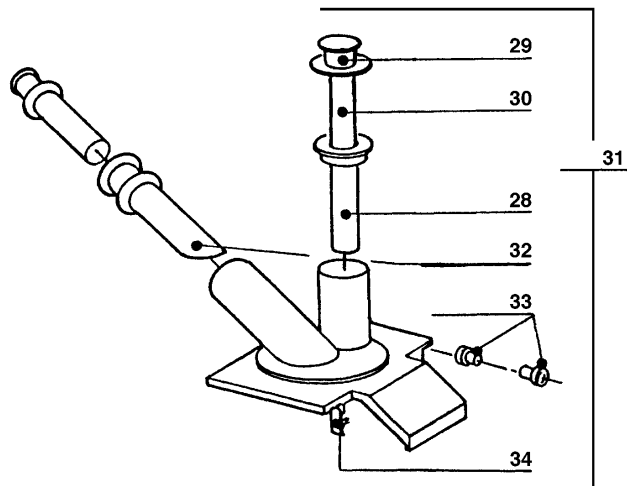
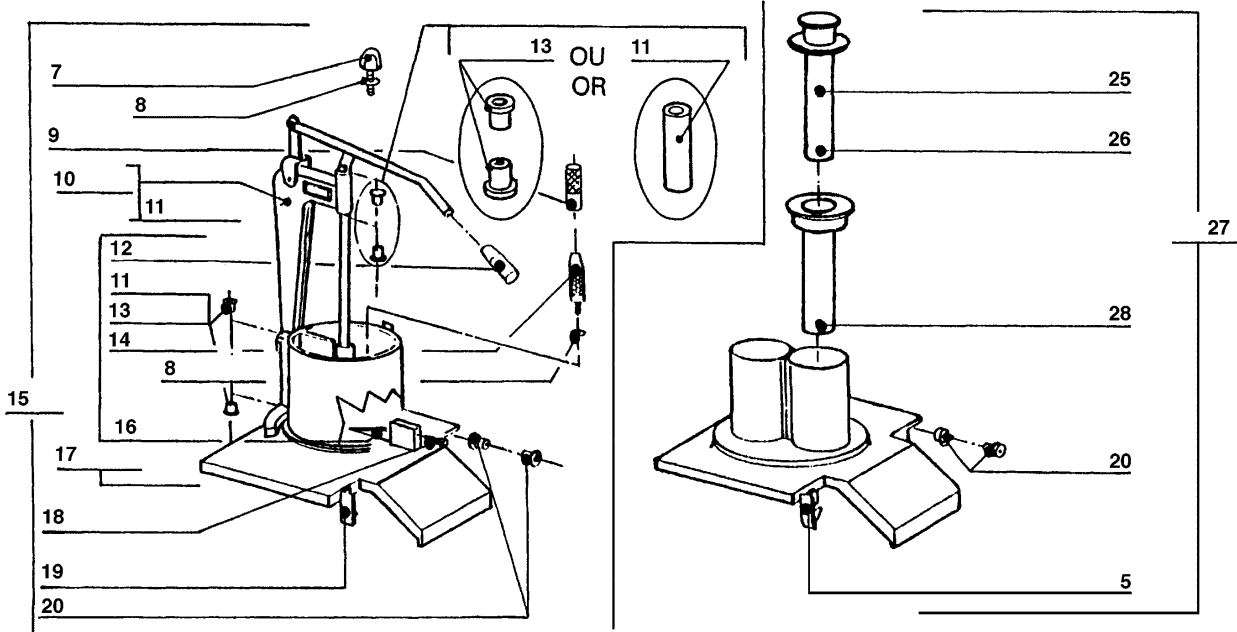
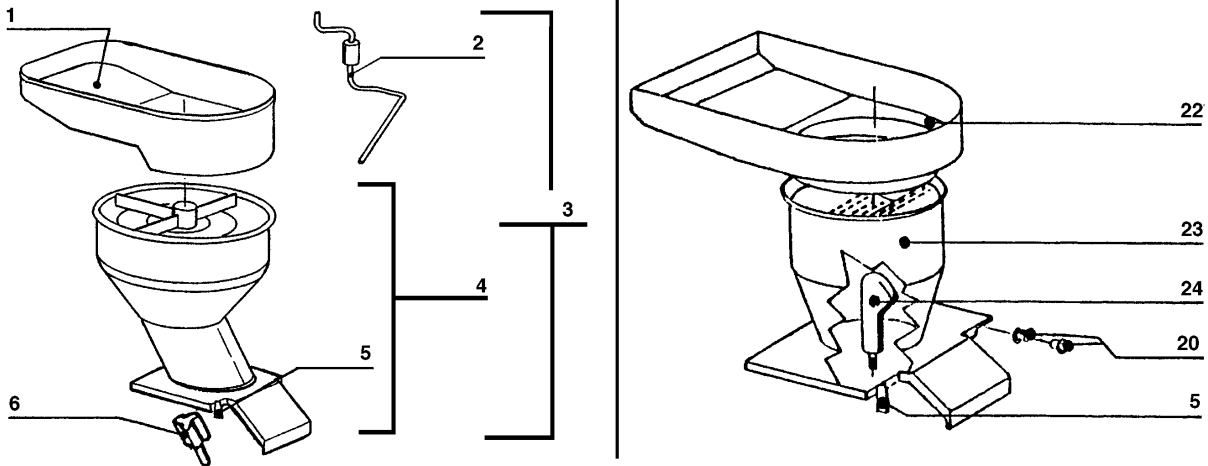




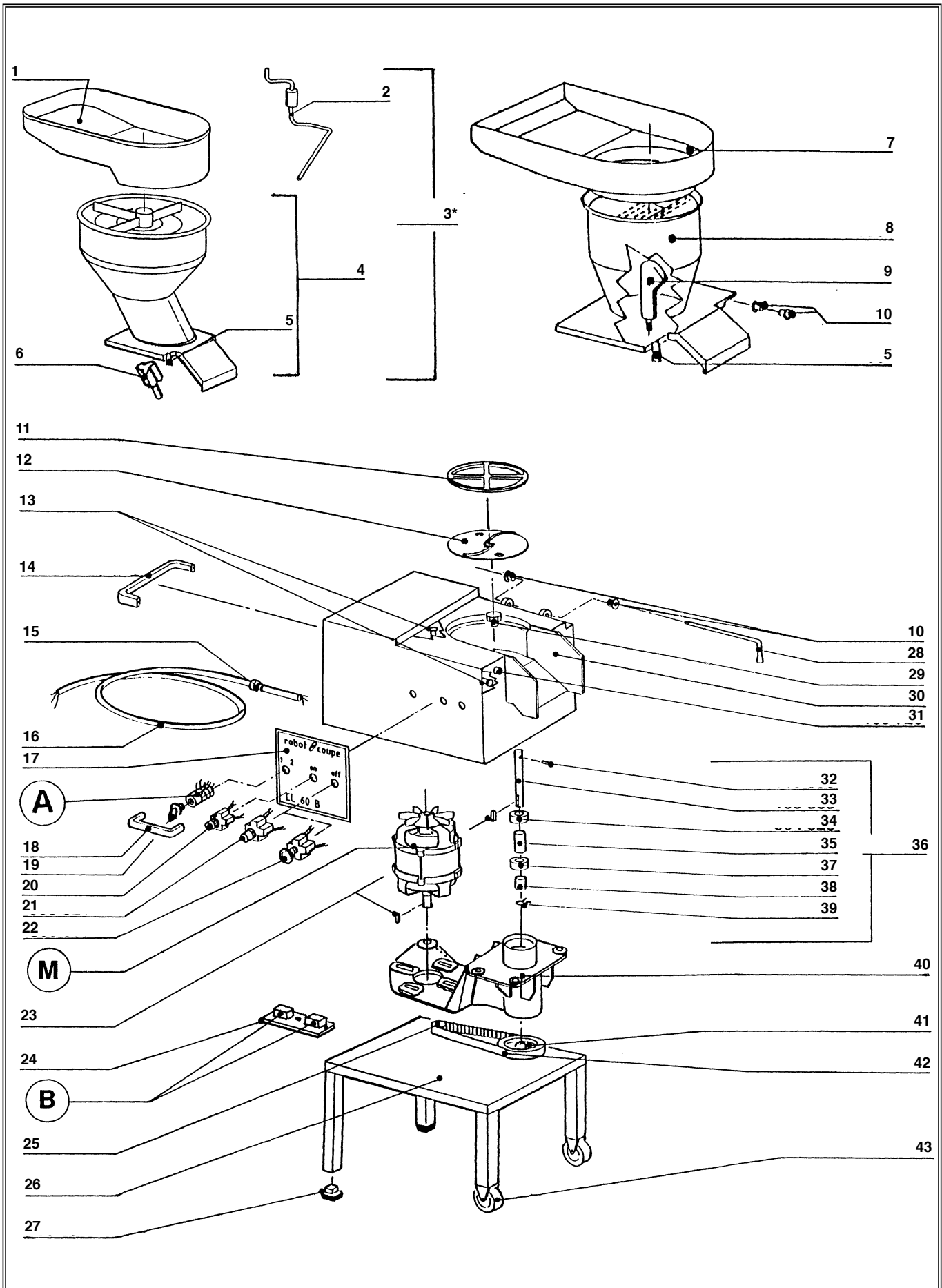
## CL 60 Levier

Pricelist in : EUR

N°	M	Voltage	A	B	
24062	301007 781,15	380 / 50 / 3	500849 58,45	507650 76,65	
24063	301010 817,75	220-380 / 50 / 3	500902 106,50	507650 76,65	
24065	301009 781,15	220 / 60 / 3	500849 58,45	503888 54,45	



INDEX	REF.	DESIGNATION	Pricelist in : EUR
1	117774	CL60 (D) FOOD TRAY	610,25
2	117775	CRANK	51,00
3	28098	FEED HEAD ASS	Contact us
4	28038	GOULOTTE AUTO S/PLATEAU	Contact us
5	29066	R501U LID LOCK CLAMP-NS	47,20
6	117777	CL60 BFH CONE	24,00
7	29187	CL60 CABBAGE HEAD CONE	41,55
8	117200	CL401 CONE WASHER	1,30
9	101205	UNLOCKING TOOL	44,00
10	29588	CL60 PUSHER GUIDE ARM	204,25
11	117280	CL60 CENTRING RING	11,00
12	509179	HANDLE	10,60
13	101112	CL60 BUSH/C.F.HOPPER	0,65
14	29156	CL55 METAL LOCKING CONE	61,55
15	28026	CL60 HOPPER-CONTROLLED FEED	Contact us
16	101128	CL55 HOPPER BLADE	44,00
17	29186	PUSHER LEVEL ASS	732,35
18	200178	CL60 SCREW TF/90 4x20	0,10
19	29066	R501U LID LOCK CLAMP-NS	47,20
20	29058	CL60 HINGE BUSH KIT	6,25
22	101024	FEEDING TRAY	610,25
23	101055	HOPPER	433,15
24	101056	CL60 DISC LOCK/DHD	103,95
25	101263	CL60 50MM PUSHER NEW STYLE	122,15
26	101279	CL60 75MM PUSHER NEW STYLE	122,15
27	28025	CL60 HOPPER-2 HOLE FEED	See Price list
28	101417	STRAIGHT INSERT D50	134,35
29	101263	CL60 50MM PUSHER NEW STYLE	122,15
30	101278	PUSHER D70	122,15
31	28015	CL60 BIAS FEED HOPPER	See Price list
32	101415	BIAIS INSERT D50	137,20
33	100061	CL50A HINGE BUSH	1,55
34	100725	CL50A CLINCH CLIP	14,40



- (A)** CL60 ROTARY SWITCH
- (B)** CONTACTOR
- (M)** MOTOR

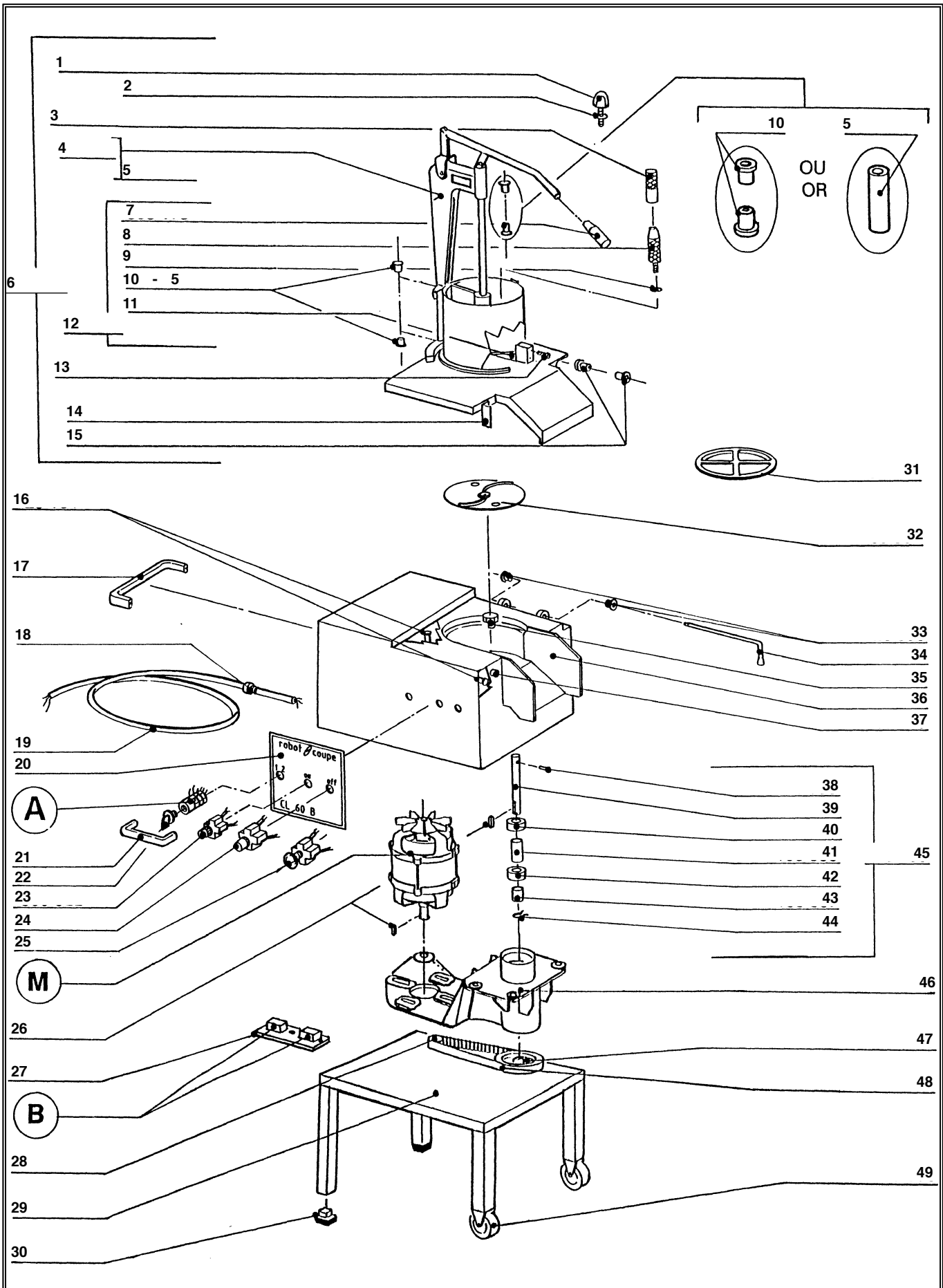
INDEX	REF.	DESIGNATION	Pricelist in : EUR
1	117774	CL60 (D) FOOD TRAY	610,25
2	117775	CRANK	51,00
3	28098	FEED HEAD ASS	Contact us
4	29569		Contact us
5	29066	R501U LID LOCK CLAMP-NS	47,20
6	117777	CL60 BFH CONE	24,00
7	101024	FEEDING TRAY	610,25
8	101055	HOPPER	433,15
9	101056	CL60 DISC LOCK/DHD	103,95
10	29058	CL60 HINGE BUSH KIT	6,25
11	101126	CL60 DICER SUPPORT	34,55
12	100062	CL50A SLING PLATE	10,90
13	29254	CL60 REED SWITCH	11,70
14	500561	CL60 HANDLE	33,75
15	515515	CL60 CABLE GROMMET	3,45
16	501017	POWER CORD	29,05
17	400308	CL60 NAME PLATE	15,20
18	29220	CL60 SPEED PROCTECTOR HANDLE	16,80
19	500802	CL60 ROTARY SWITCH HANDLE	13,55
20	500322	GREEN KNOB	32,90
21	500321	RED KNOB	32,90
22	500300	CL50 RED SWITCH ASSEMBLY	31,85
23	203015	CL60 KEY	0,70
24	117613	CONTACTOR SUPPORT	17,75
25	100869	CL60 MOTOR PULLEY	54,70
26	29519	SEATING ASS	707,95
27	100852	CL60 FOOT	12,85
28	29061	CL50A HINGE PIN	18,65
29	29160	CL60 MOTOR SEAL/SOCKET ASSEMBL	75,80
30	29239	FRAME ASS	1 139,15
31	100726	R501U LID LATCH HASP ASSEMBLY	3,70
32	110308	R501U SHAFT PIN MOTOR	2,00
33	100863	CL60 DRIVE SHAFT	186,80
34	504328	CL60 BEARING 6304 2RS	44,45
35	100866	CL60 BEARING BRACE	44,00
36	29163	CL60 DRIVE SHAFT ASS/KIT	373,50
37	504328	CL60 BEARING 6304 2RS	44,45
38	100867	CL60 LOCKING BRACE	25,40
39	200008	CL60 CIRCLIP	2,05
40	117647	MECHANICAL SUPPORT ASS	251,75
41	100868	CL60 DRIVE PULLEY	80,10
42	500845	BELT	50,05
43	503338	WHEEL	6,10

robot coupe®

CL 60 "B" Auto

Pricelist in : EUR

N°	M	Voltage	A	B	
2832 Goulo	301010 817,75	230-400 / 50 / 3	500902 106,50	507650 76,65	
2833 Goulo	303029 781,15	400 / 50 / 3	500849 58,45	507650 76,65	
2835	303030 781,15	220 / 60 / 3	500849 58,45	503888 54,45	
2836	302083 871,80	380 / 60 / 3	500849 58,45	503921 55,25	
2964	301010 817,75	220-380 / 50 / 3	500902 106,50	507650 76,65	
2965	303029 781,15	380 / 50 / 3	500849 58,45	507650 76,65	
2967	303030 781,15	220 / 60 / 3	500849 58,45	503888 54,45	
2973	302083 871,80	380 / 60 / 3	500849 58,45	503921 55,25	



- (A)** CL60 ROTARY SWITCH
- (B)** CONTACTOR
- (M)** MOTOR

INDEX	REF.	DESIGNATION	Pricelist in : EUR
1	29187	CL60 CABBAGE HEAD CONE	41,55
2	117200	CL401 CONE WASHER	1,30
3	101205	UNLOCKING TOOL	44,00
4	29588	CL60 PUSHER GUIDE ARM	204,25
5	117280	CL60 CENTRING RING	11,00
6	28026	CL60 HOPPER-CONTROLLED FEED	Contact us
7	509179	HANDLE	10,60
8	29156	CL55 METAL LOCKING CONE	61,55
9	117200	CL401 CONE WASHER	1,30
10	101112	CL60 BUSH/C.F.HOPPER	0,65
11	101128	CL55 HOPPER BLADE	44,00
12	29186	PUSHER LEVEL ASS	732,35
13	200178	CL60 SCREW TF/90 4x20	0,10
14	29066	R501U LID LOCK CLAMP-NS	47,20
15	29058	CL60 HINGE BUSH KIT	6,25
16	29164	CL60 REED SWITCH ASSEMBLY	8,90
17	500561	CL60 HANDLE	33,75
18	515515	CL60 CABLE GROMMET	3,45
19	501017	POWER CORD	29,05
20	400308	CL60 NAME PLATE	15,20
21	29220	CL60 SPEED PROCTECTOR HANDLE	16,80
22	500802	CL60 ROTARY SWITCH HANDLE	13,55
23	500322	GREEN KNOB	32,90
24	500321	RED KNOB	32,90
25	500300	CL50 RED SWITCH ASSEMBLY	31,85
26	203015	CL60 KEY	0,70
27	117613	CONTACTOR SUPPORT	17,75
28	100869	CL60 MOTOR PULLEY	54,70
29	29519	SEATING ASS	707,95
30	100852	CL60 FOOT	12,85
31	101126	CL60 DICER SUPPORT	34,55
32	100062	CL50A SLING PLATE	10,90
33	29058	CL60 HINGE BUSH KIT	6,25
34	29061	CL50A HINGE PIN	18,65
35	29160	CL60 MOTOR SEAL/SOCKET ASSEMBL	75,80
36	100851	CL60 TOP CASE	1 074,05
37	100726	R501U LID LATCH HASP ASSEMBLY	3,70
38	110308	R501U SHAFT PIN MOTOR	2,00
39	100863	CL60 DRIVE SHAFT	186,80
40	504328	CL60 BEARING 6304 2RS	44,45
41	100866	CL60 BEARING BRACE	44,00
42	504328	CL60 BEARING 6304 2RS	44,45
43	100867	CL60 LOCKING BRACE	25,40
44	200008	CL60 CIRCLIP	2,05
45	29163	CL60 DRIVE SHAFT ASS/KIT	373,50
46	117647	MECHANICAL SUPPORT ASS	251,75
47	100868	CL60 DRIVE PULLEY	80,10
48	500845	BELT	50,05
49	503338	WHEEL	6,10

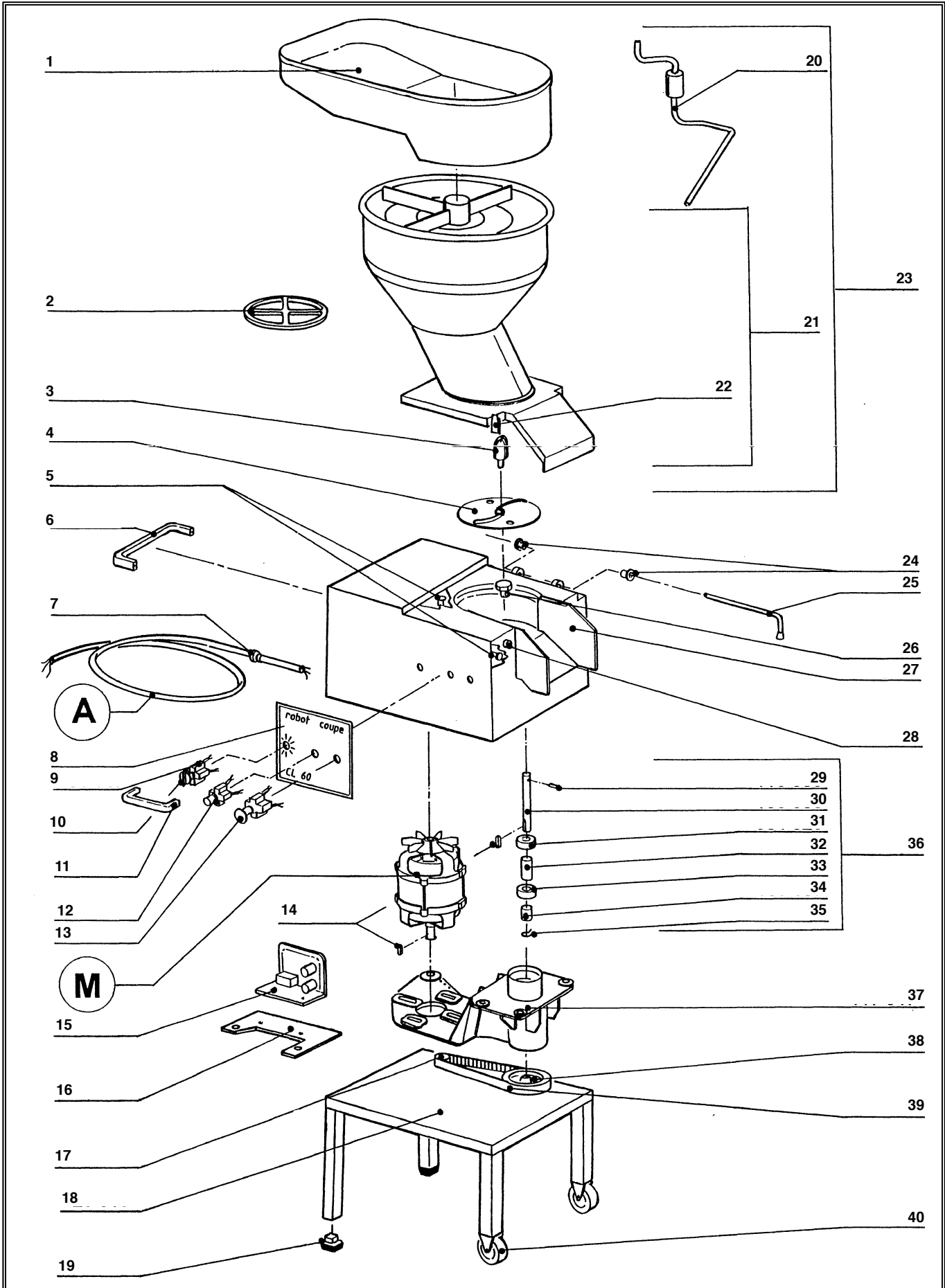


**robot coupe®**

**CL 60 "B" Levier**

Pricelist in : EUR

N°	M	Voltage	A	B	
2960	301010 817,75	220-380 / 50 / 3	500902 106,50	507650 76,65	
2961	303029 781,15	380 / 50 / 3	500849 58,45	507650 76,65	
2963	303030 781,15	220 / 60 / 3	500849 58,45	503888 54,45	
2972	302083 871,80	380 / 60 / 3	500849 58,45	507650 76,65	



**(A)** 3X1,5<sup>2</sup> UK POWER CORD

**(M)** MOTOR

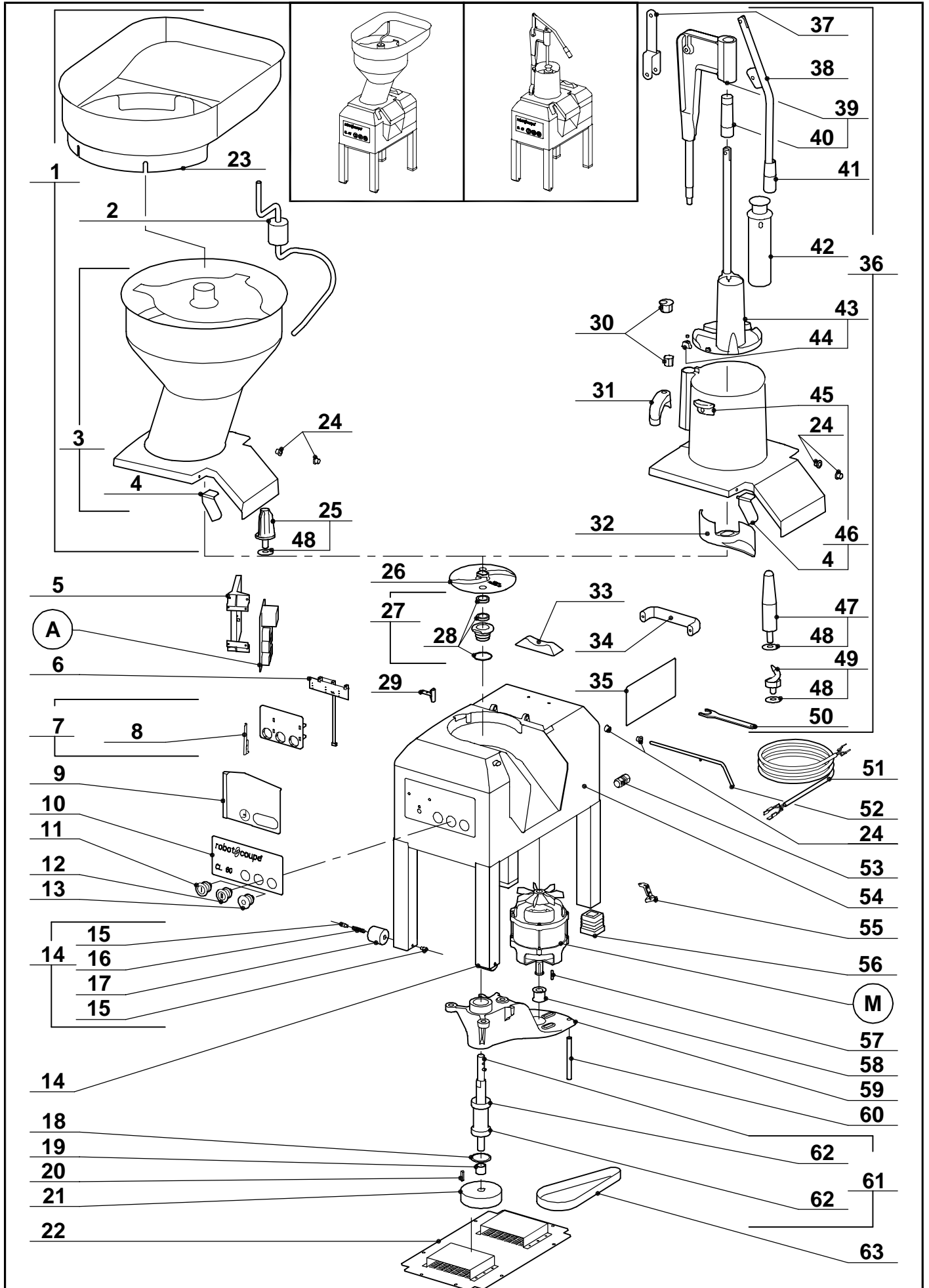
INDEX	REF.	DESIGNATION	Pricelist in : EUR
1	117774	CL60 (D) FOOD TRAY	610,25
2	101126	CL60 DICER SUPPORT	34,55
3	117777	CL60 BFH CONE	24,00
4	100062	CL50A SLING PLATE	10,90
5	29254	CL60 REED SWITCH	11,70
6	500561	CL60 HANDLE	33,75
7	515515	CL60 CABLE GROMMET	3,45
8	400708	CL60D V.V. FRONT PLATE	15,20
9	501947	R602VV SPEED SWITCH BLOCK	55,45
10	117073	R602VV SWITCH HANDLE	7,70
11	29220	CL60 SPEED PROCTECTOR HANDLE	16,80
12	500322	GREEN KNOB	32,90
13	500321	RED KNOB	32,90
14	203015	CL60 KEY	0,70
15	117590	R602VV VARIATOR N/S	694,35
16	117725	VARIATOR FIXING PLATE	19,15
17	100869	CL60 MOTOR PULLEY	54,70
18	29519	SEATING ASS	707,95
19	100852	CL60 FOOT	12,85
20	117775	CRANK	51,00
21	29569		Contact us
22	29066	R501U LID LOCK CLAMP-NS	47,20
23	29098	BASE ASS	566,45
24	29058	CL60 HINGE BUSH KIT	6,25
25	29061	CL50A HINGE PIN	18,65
26	29160	CL60 MOTOR SEAL/SOCKET ASSEMBL	75,80
28	100726	R501U LID LATCH HASP ASSEMBLY	3,70
29	110308	R501U SHAFT PIN MOTOR	2,00
30	100863	CL60 DRIVE SHAFT	186,80
31	504328	CL60 BEARING 6304 2RS	44,45
32	100866	CL60 BEARING BRACE	44,00
33	504328	CL60 BEARING 6304 2RS	44,45
34	100867	CL60 LOCKING BRACE	25,40
35	200008	CL60 CIRCLIP	2,05
36	29163	CL60 DRIVE SHAFT ASS/KIT	373,50
37	117647	MECHANICAL SUPPORT ASS	251,75
38	100868	CL60 DRIVE PULLEY	80,10
39	500845	BELT	50,05
40	503338	WHEEL	6,10

**robot coupe**

**CL 60 "B" V.V.**

**Pricelist in : EUR**

N°	M	Voltage	A	
2996	303031 817,75	220-240 / 50 / 1	502688 12,10	



**(A)** CL60 (D) PCB 415V 50HZ

**(M)** (Q) Motor 220/60/3, CL60D

INDEX	REF.	DESIGNATION	Pricelist in : EUR
1	28108	CL60D ST. STEEL AUTOMATIC FEED HEAD	See Price list
1	28108	CL60D ST. STEEL AUTOMATIC FEED HEAD	See Price list
2	117775	CRANK	51,00
2	117775	CRANK	51,00
3	29928	CL60D AUTOMATIC FEED HEAD ASSY	819,40
3	29928	CL60D AUTOMATIC FEED HEAD ASSY	819,40
4	29925	CL60 (D) LID LATCH ASSEMBLY	52,90
4	29925	CL60 (D) LID LATCH ASSEMBLY	52,90
5	117809	R502 PCB MOUNTING	5,10
5	117809	R502 PCB MOUNTING	5,10
6	117813	BLIXER 5 PLUS SWITCH CONTROL PCB 415V	21,65
6	117813	BLIXER 5 PLUS SWITCH CONTROL PCB 415V	21,65
7	29533	MOUNT SPACER FOR PCB	11,95
7	29533	MOUNT SPACER FOR PCB	11,95
8	117703	R301U (C) PCB KEY	0,55
8	117703	R301U (C) PCB KEY	0,55
9	118586	CL60D PCB SUPPORT	24,30
10	407092	CL60D FRONT PLATE	15,15
11	502170	CL60 (D) GREEN LOW SPEED SWITCH TOP	12,45
12	503268	CL60 (D) GREEN HIGH SPEED SWITCH TOP	12,40
13	502169	CL60 (D) RED SWITCH TOP	12,45
14	29908	Wheel Assembly, CL60D	14,00
15	118566	CL60D WHEEL AXLE	2,95
16	118567	CL60D WHEEL SPRING	1,65
17	118565	CL60D WHEEL	10,90
18	200008	CL60 CIRCLIP	2,05
19	118584	CL60D SPACER REC PULLEY	8,10
20	203157	KEY 6X6X30	2,05
21	118585	CL60D DRIVEN PULLEY	80,00
22	118550	CL60D BOTTOM PLATE	77,85
23	117774	CL60 (D) FOOD TRAY	610,25
24	29058	CL60 HINGE BUSH KIT	6,25
25	117777	CL60 BFH CONE	24,00
26	102690	CL50 D SLING PLATE	10,90
27	29907	Sealing Socket Assy CL60D	64,50
28	29906	Seal Assy CL60D	9,85
29	29451	CL50D REED SWITCH	13,75
30	29926	Plastic Bushing Assy, CL60D	11,45
31	29705	CL55 (D) MAGNET HOLDER	38,30
32	118420	D VERSION CABBAGE EJECTION PADDLE	11,30
33	39087	Rubber Lid Stop, CL60D	22,70
34	500561	CL60 HANDLE	33,75
35	407295	(Q) Discs Plate, CL60D	15,15
36	28104	CL60D PUSHER FEED HEAD	See Price list
37	103205	CL55 (D) PIVOT ARM HINGE	44,65
38	29710	CL55D LEVER ASSEMBLY	88,40
39	118335	CL60 (D) PUSHER GUIDE ARM	203,80
40	118331	CL55 (D) PUSHER GUIDE BUSH	2,15
41	509200	(Q) Plastic Handle, CL60D	10,60
42	118397	CL55D PUSHER DIAM.60	37,35
43	118333	(Q) Alum. Pusher, CL60D	114,60
44	29706	CL55 PUSHER STOP ASS	7,70
45	117321	CL55 (D) ANTI FRICTION STOP	1,35
46	29929	CL60 (D) VEGETABLE LID	280,40
47	29156	CL55 METAL LOCKING CONE	61,55
48	117200	CL401 CONE WASHER	1,30
49	29692	CL55 CABBAGE HEAD LOCKING HEAD CONE	41,55
50	118436	CL52 SPANNER	8,85
51	503272	CL60D POWER CORD	29,00

INDEX	REF.	DESIGNATION	Pricelist in : EUR
52	118582	CL60 (D) HINGE PIN	<a href="#">Contact us</a>
53	39071	STOP POWER CORD	11,60
54	29924	CL60D MOT HOUSING FRAME	1 494,45
55	29914	CL60 (D) LID LATCH SWITCH ASSEMBLY	39,85
56	118527	CL60D RUBBER FOOT	12,85
57	203164	TF 5X20 SCREW	1,95
58	100869	CL60 MOTOR PULLEY	54,70
59	118529	CL60D MECHANICAL SUPPORT	251,20
60	203104	(Q) Supporting Screw, CL60D	1,65
61	29915	CL60 (D) SHAFT ASSEMBLY	372,65
62	504328	CL60 BEARING 6304 2RS	44,45
63	500845	BELT	50,05

**robot coupe®**

**CL 60 "D" Auto / Levier**

**Pricelist in : EUR**

N°	M	Voltage	A	
2781 AUTO	303105 779,45	400 / 50 / 3	103700 127,55	
2782 AUTO	303107 779,45	380 / 60 / 3	103700 127,55	
2783 AUTO	303106 779,45	220 / 60 / 3	103700 127,55	
2784 AUTO	303108 828,95	230-400 / 50 / 3	113700 134,30	
2786 LEVIE	303105 779,45	400 / 50 / 3	103700 127,55	
2787 LEVIE	303107 779,45	380 / 60 / 3	103700 127,55	
2789 LEVIE	303108 828,95	230-400 / 50 / 3	113700 134,30	
2791 AUTO	303105 779,45	400 / 50 / 3	103700 127,55	
2792 AUTO	303107 779,45	380 / 60 / 3	103700 127,55	

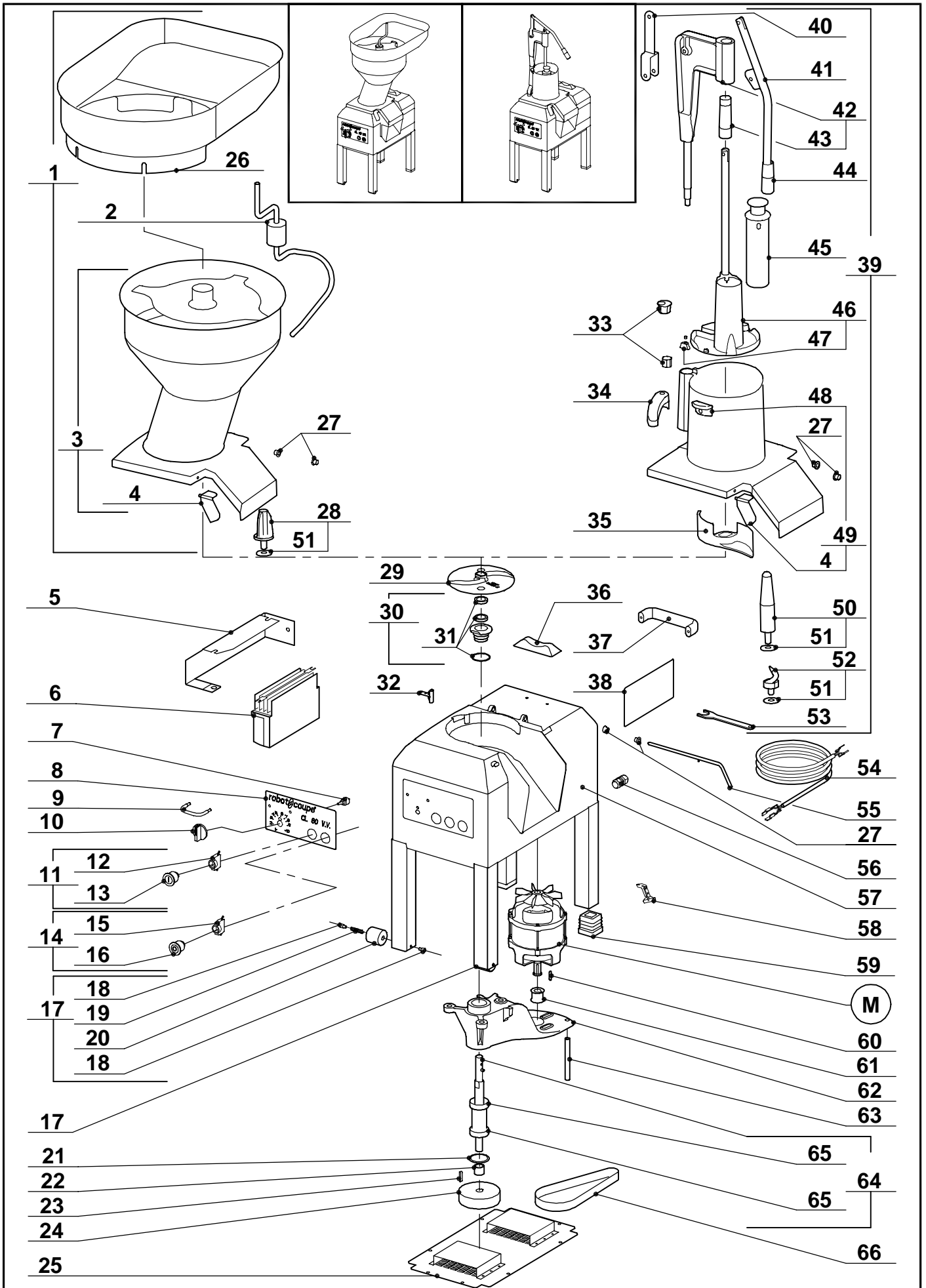


**robot coupe**

**CL 60 "D" Auto / Levier**

**Pricelist in : EUR**

N°	M	Voltage	A	
2793 AUTO	303106 779,45	220 / 60 / 3	103700 127,55	
2794 AUTO	303108 828,95	230-400 / 50 / 3	113700 134,30	





CL60D VV MOTOR

INDEX	REF.	DESIGNATION	Pricelist in : EUR
1	28108	CL60D ST. STEEL AUTOMATIC FEED HEAD	See Price list
2	117775	CRANK	51,00
3	29928	CL60D AUTOMATIC FEED HEAD ASSY	819,40
4	29925	CL60 (D) LID LATCH ASSEMBLY	52,90
5	119126	VARIATOR SUP CL60D VV	40,05
6	501466	CL60D VARIATOR	692,85
7	501947	R602VV SPEED SWITCH BLOCK	55,45
8	407352	MP600 PACKAGING	15,15
9	29220	CL60 SPEED PROCTECTOR HANDLE	16,80
10	117073	R602VV SWITCH HANDLE	7,70
11	502174	R502/602 GREEN SWITCH TOP	31,85
12	500846	CONTACTS BLOC (SHUTING)	11,10
13	502170	CL60 (D) GREEN LOW SPEED SWITCH TOP	12,45
14	502173	R502/R602 RED SWITCH	31,85
15	500847	CONTACTS BLOC (OPENING)	11,10
16	502169	CL60 (D) RED SWITCH TOP	12,45
17	29908	Wheel Assembly, CL60D	14,00
18	118566	CL60D WHEEL AXLE	2,95
19	118567	CL60D WHEEL SPRING	1,65
20	118565	CL60D WHEEL	10,90
21	200008	CL60 CIRCLIP	2,05
22	118584	CL60D SPACER REC PULLEY	8,10
23	203157	KEY 6X6X30	2,05
24	118585	CL60D DRIVEN PULLEY	80,00
25	118550	CL60D BOTTOM PLATE	77,85
26	117774	CL60 (D) FOOD TRAY	610,25
27	29058	CL60 HINGE BUSH KIT	6,25
28	117777	CL60 BFH CONE	24,00
29	102690	CL50 D SLING PLATE	10,90
30	29907	Sealing Socket Assy CL60D	64,50
31	29906	Seal Assy CL60D	9,85
32	29451	CL50D REED SWITCH	13,75
33	29926	Plastic Bushing Assy, CL60D	11,45
34	29705	CL55 (D) MAGNET HOLDER	38,30
35	118420	D VERSION CABBAGE EJECTION PADDLE	11,30
36	39087	Rubber Lid Stop, CL60D	22,70
37	500561	CL60 HANDLE	33,75
38	407295	(Q) Discs Plate, CL60D	15,15
39	28104	CL60D PUSHER FEED HEAD	See Price list
40	103205	CL55 (D) PIVOT ARM HINGE	44,65
41	29710	CL55D LEVER ASSEMBLY	88,40
42	118335	CL60 (D) PUSHER GUIDE ARM	203,80
43	118331	CL55 (D) PUSHER GUIDE BUSH	2,15
44	509200	(Q) Plastic Handle, CL60D	10,60
45	118397	CL55D PUSHER DIAM.60	37,35
46	118333	(Q) Alum. Pusher, CL60D	114,60
47	29706	CL55 PUSHER STOP ASS	7,70
48	117321	CL55 (D) ANTI FRICTION STOP	1,35
49	29929	CL60 (D) VEGETABLE LID	280,40
50	29156	CL55 METAL LOCKING CONE	61,55
51	117200	CL401 CONE WASHER	1,30
52	29692	CL55 CABBAGE HEAD LOCKING HEAD CONE	41,55
53	118436	CL52 SPANNER	8,85
54	503481	CL60D VV POWER CORD	12,10
55	118582	CL60 (D) HINGE PIN	Contact us
56	39071	STOP POWER CORD	11,60
57	29924	CL60D MOT HOUSING FRAME	1 494,45
58	29914	CL60 (D) LID LATCH SWITCH ASSEMBLY	39,85
59	118527	CL60D RUBBER FOOT	12,85
60	203164	TF 5X20 SCREW	1,95
61	100869	CL60 MOTOR PULLEY	54,70

**robot coupe®**

**CL 60 "D" V.V.**

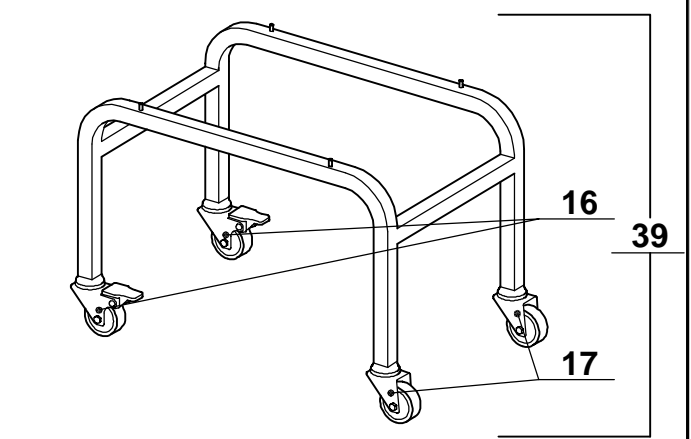
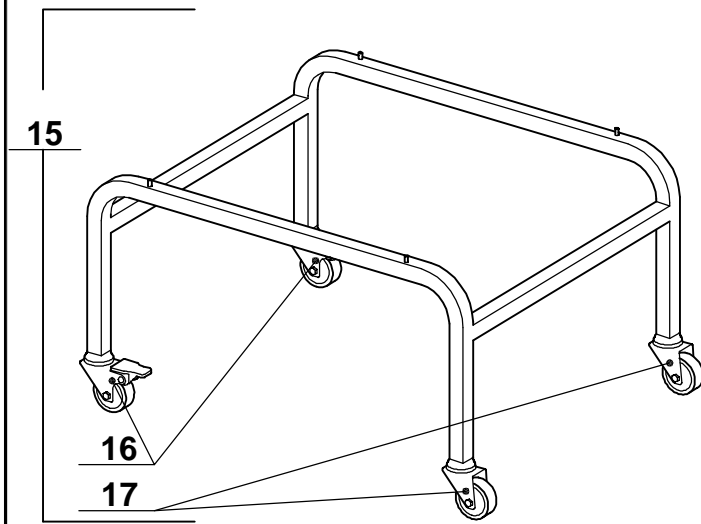
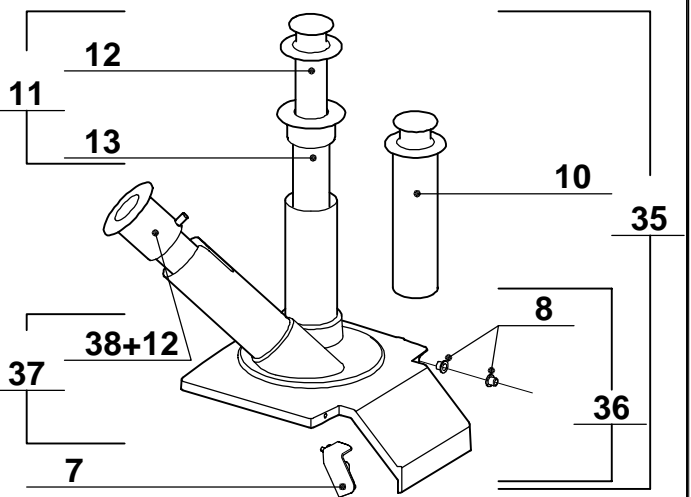
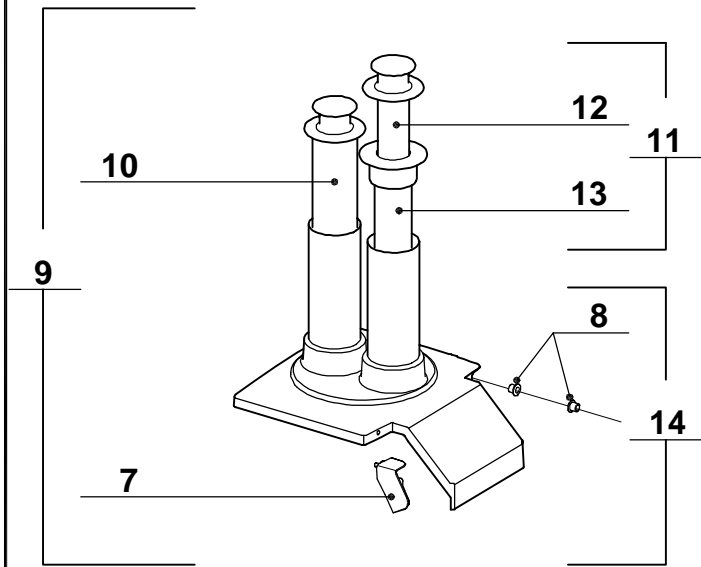
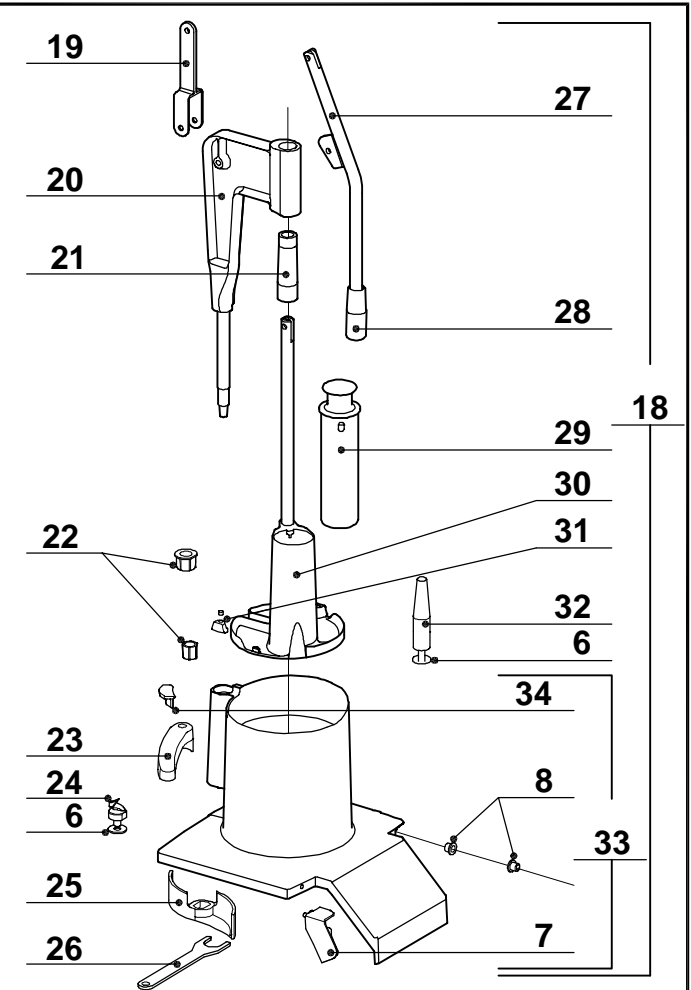
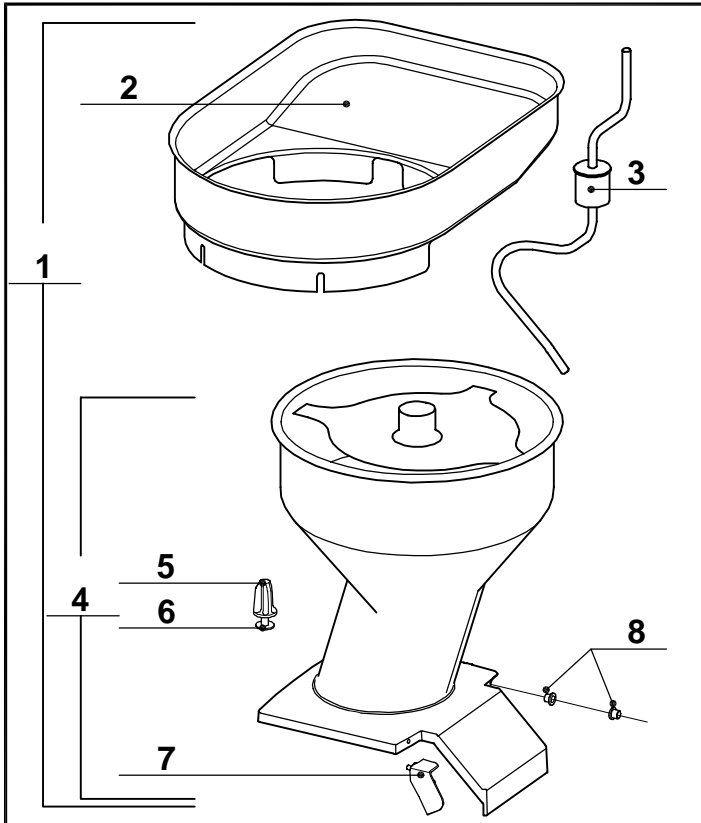
INDEX	REF.	DESIGNATION	Pricelist in : EUR
62	118529	CL60D MECHANICAL SUPPORT	251,20
63	203104	(Q) Supporting Screw, CL60D	1,65
64	29915	CL60 (D) SHAFT ASSEMBLY	372,65
65	504328	CL60 BEARING 6304 2RS	44,45
66	500845	BELT	50,05

**robot coupe®**

**CL 60 "D" V.V.**

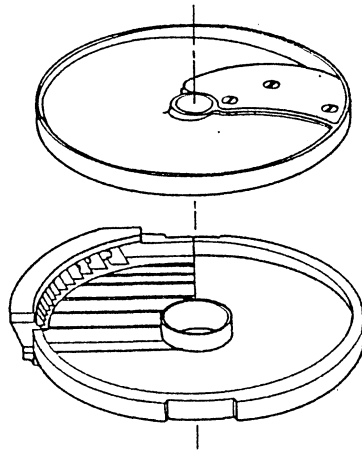
**Pricelist in : EUR**

N°	M	Voltage	
2785 AUTO	303112 816,00	230 / 50 / 1	
2790 LEVIE	303112 816,00	230 / 50 / 1	
2795 Auto	303112 816,00	230 / 50 / 1	
2894 Auto	303112 816,00	230 / 50 / 1	



INDEX	REF.	DESIGNATION	Pricelist in : EUR
1	28108	CL60D ST. STEEL AUTOMATIC FEED HEAD	See Price list
2	117774	CL60 (D) FOOD TRAY	610,25
3	117775	CRANK	51,00
4	29928	CL60D AUTOMATIC FEED HEAD ASSY	819,40
5	117777	CL60 BFH CONE	24,00
6	117200	CL401 CONE WASHER	1,30
7	29925	CL60 (D) LID LATCH ASSEMBLY	52,90
8	29058	CL60 HINGE BUSH KIT	6,25
9	28156	CL60D STRAIGHT & BIAIS CUT FEED HEAD	See Price list
10	101538	PUSHER D70	73,60
11	39090	STRAIGHT INSERT D50 ASSY	208,00
12	101539	PUSHER D50	63,80
13	101535	STRAIGHT INSER D50	147,15
14	39095	STRAIGHT TUBE LID ASSY	451,25
15	27185	CL60 ST STEEL TROLLEY 2/1	See Price list
16	504266	CL55D BRAKE ROLLER D60	112,85
17	504267	CL60D ROLLER D60	80,45
18	28104	CL60D PUSHER FEED HEAD	See Price list
19	103205	CL55 (D) PIVOT ARM HINGE	44,65
20	118335	CL60 (D) PUSHER GUIDE ARM	203,80
21	118331	CL55 (D) PUSHER GUIDE BUSH	2,15
22	29926	Plastic Bushing Assy, CL60D	11,45
23	29705	CL55 (D) MAGNET HOLDER	38,30
24	29692	CL55 CABBAGE HEAD LOCKING HEAD CONE	41,55
25	118420	D VERSION CABBAGE EJECTION PADDLE	11,30
26	118436	CL52 SPANNER	8,85
27	29710	CL55D LEVER ASSEMBLY	88,40
28	509200	(Q) Plastic Handle, CL60D	10,60
29	118397	CL55D PUSHER DIAM.60	37,35
30	29927	CL60D PUSHER ASSEMBLY	142,90
31	29706	CL55 PUSHER STOP ASS	7,70
32	29156	CL55 METAL LOCKING CONE	61,55
33	29929	CL60 (D) VEGETABLE LID	280,40
34	117321	CL55 (D) ANTI FRICTION STOP	1,35
35	28157	CL60D STRAIGHT HOLE FEED HEAD	See Price list
36	39096	BIAIS CUT FEED LID ASSY	Contact us
37	39091	TILTED INSERT D50 ASSY	176,60
38	101537	TILTED INSER D50	176,60
39	27056	CL60 ST STEEL TROLLEY 1/1	See Price list

**EQUIPEMENT FRITES / FRENCH FRIES EQUIPMENT**



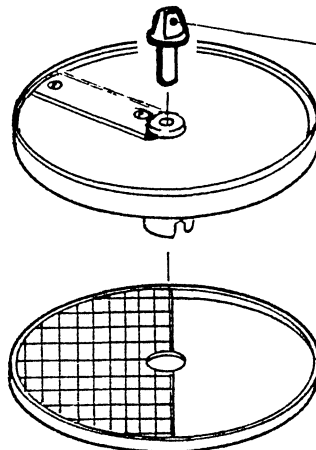
27116\* (1) : 8 x 8

- EMINCEUR 8 : 29343 (2)  
- LAME : 102036 (3)  
- GRILLE 8 : 102066 (4)

27117\* (5) : 10 x 10

- EMINCEUR 10 : 29344 (6)  
- LAME : 102036 (7)  
- GRILLE 10 : 102067 (8)

**EQUIPEMENT MACEDOINE / DICING EQUIPMENT**



29598 (9)

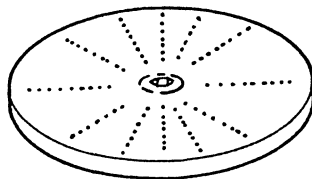
27113\* (10) : 8 x 8

- EMINCEUR 8 : 29333 (11)  
- LAME : 102120 (12)  
- GRILLE 8 : 102064 (13)

27114\* (14) : 10 x 10

- EMINCEUR 10 : 29334 (15)  
- LAME : 102120 (16)  
- GRILLE 10 : 102065 (17)

**RAPEUR / GRATER**



27148\* (18) : RAPEUR 1,5mm / GRATER 1,5mm  
27149\* (19) : RAPEUR 2 mm / GRATER 2 mm  
27159\* (20) : RAPEUR 3 mm / GRATER 3 mm



INDEX	REF.	DESIGNATION	Pricelist in : EUR
1	27116	CL30 8x8mm CHIPPING DISC SET	See Price list
2	29343	CL30 8x8mm CHIPPING SLICER	78,30
3	102036	CL30 1,5 MM CURVED BLADE	10,85
4	102066	CL30 8x8mm CHIPPING GRID	80,35
5	27117	CL30 10x10mm CHIPPING DISC SET	See Price list
6	29344	CL30 10x10mm CHIPPING SLICER	78,30
7	102036	CL30 1,5 MM CURVED BLADE	10,85
8	102067	CL30 10x10mm CHIPPING GRID	80,35
9	29598	CL30 DISC LOCKING KNOB KIT	7,70
10	27113	CL30 8x8mm DICING DISC SET	See Price list
11	29333	CL30 8x8mm DICING SLICER	78,30
12	102120	CL30 DICING SLICER BLADE	9,10
13	102064	CL30 8x8mm DICING GRID	72,35
14	27114	CL30 10x10mm DICING DISC SET	See Price list
15	29334	CL30 10x10mm DICING SLICER	78,30
16	102120	CL30 DICING SLICER BLADE	9,10
17	102065	CL30 10x10mm DICING GRID	72,35
18	27148	CL30 1.5mm GRATER	See Price list
19	27149	CL30 2mm GRATER	See Price list
20	27150	CL30 3mm GRATER	See Price list

**MACEDOINE / DICING**



POUR TOUS MODELES ANTERIEURS A VERSION "D"  
FOR ALL MODELS PRIOR TO "D" VERSION

	<b>MOYEU HEXAGONAL HEXAGONAL HUB</b>	<b>MOYEU ROND ROUND HUB</b>	<b>R 501 R 501 Ultra R 502 R 602 CL 50</b>	<b>CL 55  CL 60</b>
5 x 5	2	7 *	12	17 *
8 x 8	3	8 *	13	18 *
10 x 10	4	9 *	14	19 *
14 x 14	5	10 *	15	20 *
20 x 20	6	11 *	16	21 *



POUR MODELES VERSION "D" UNIQUEMENT  
FOR MODELS "D" VERSION ONLY

**R 502, R 602, CL 50, CL 52, CL 55**

5 x 5	22 *	29	35
8 x 8	23 *	30	36
10 x 10	24 *	31	37
14 x 14	25 *	32	38
20 x 20	26 *	33	39
25 x 25	27 *	34	40



CL50 / CL52 / CL55 / CL60 / R502 / R602 V.V. Discs

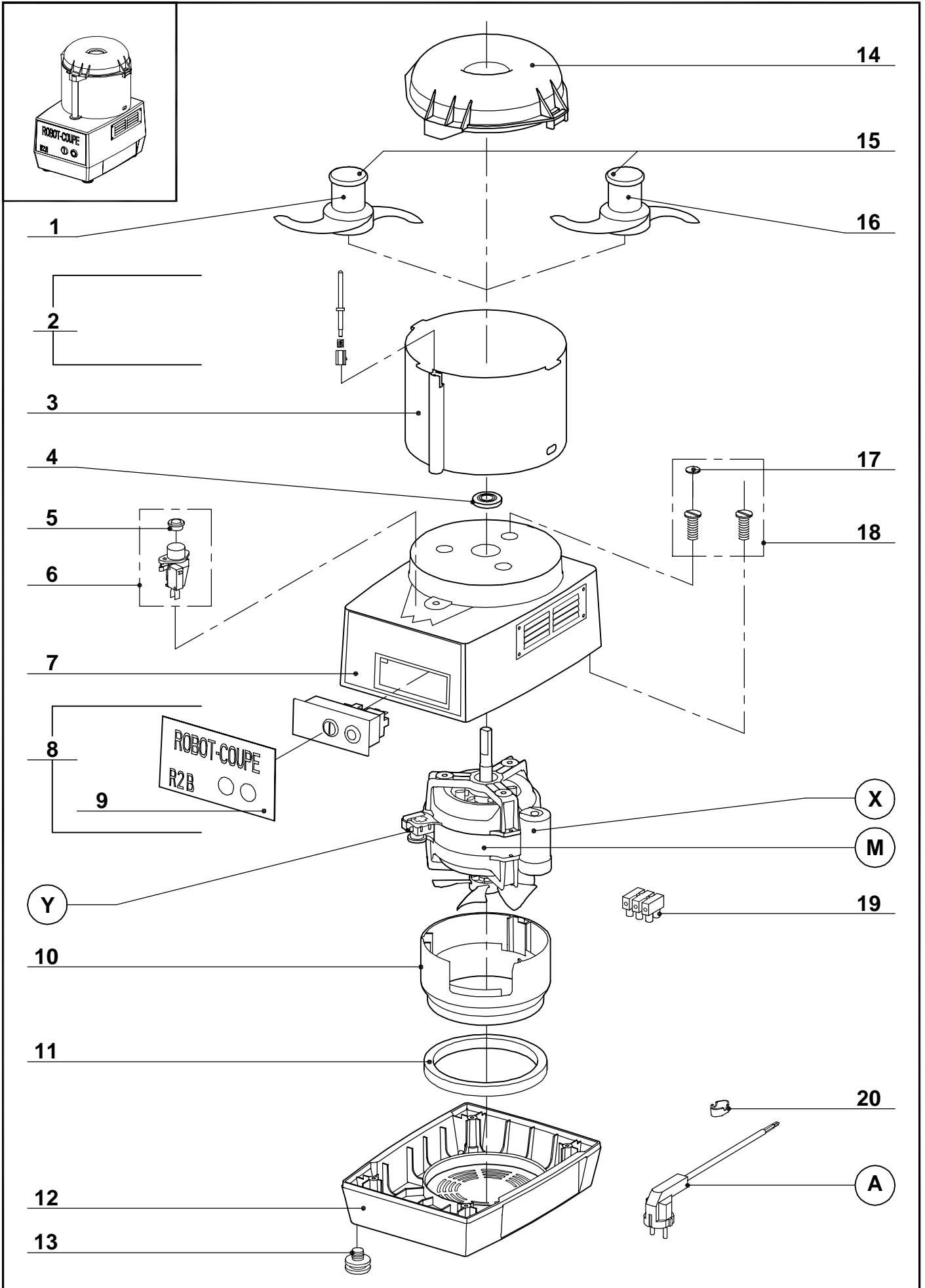
INDEX	REF.	DESIGNATION	Pricelist in : EUR
1	29564	(AA)Knife Only, FF Set Series D	12,45
2	27035	CL50 5MM (H) SLICER	78,30
3	27036	CL50 8MM (H) SLICER	78,30
4	27037	HEXAGONAL HUB	78,30
5	27039	HEXAGONAL HUB	84,50
6	27039	HEXAGONAL HUB	84,50
7	28065	CL50 5MM (R) SLICER	See Price list
8	28066	CL50 8MM (R) SLICER	See Price list
9	28067	CL50 10MM (R) SLICER	See Price list
10	28068	CL50 14MM (R) SLICER	See Price list
11	28068	CL50 14MM (R) SLICER	See Price list
12	28010	CL50 5X5 DICER GRID HALF	Contact us
13	28011	CL50 8X8 DICER N/S	Contact us
14	28012	CL50 10X10 DICER N/S	Contact us
15	28013	CL50 14X14 DICER N/S	Contact us
16	28014	CL50 20X20 DICER N/S	Contact us
17	28369	CL50 5X5 DICER	Contact us
18	28370	CL55 8X8 DICER O/S	Contact us
19	28380	CL55 10X10 DICER O/S	Contact us
20	28391	CL55 14X14 DICER O/S	Contact us
21	28402	CL55 20X20 DICER O/S	Contact us
22	28110	CL50 D 5X5 DICING DISC SET	See Price list
23	28111	CL50 D 8X8 DICING DISC SET	See Price list
24	28112	CL50 D 10X10 DICING DISC SET	See Price list
25	28113	CL50 D 14X14 DICING DISC SET	See Price list
26	28114	CL50 D 20X20 DICING DISC SET	See Price list
27	28115	CL50 D 25X25 DICING DISC SET	See Price list
28	29780	CL50 D SLICING DISC BLADE	10,25
29	28128	CL50 D 5X5 DICING SLICER	425,00
30	28129	CL50 D 8X8 DICING SLICER	425,00
31	28130	CL50 D 10X10 DICING SLICER	425,00
32	28131	CL50 D 14X14 DICING SLICER	425,00
33	28132	CL50 D 20X20 DICING SLICER	425,00
34	28133	CL50 D 25X25 DICING SLICER	425,00
35	28117	CL50 D 5X5 DICING GRID	535,00
36	28118	CL50 D 8X8 DICING GRID	445,00
37	28119	CL50 D 10X10 DICING GRID	445,00
38	28120	CL50 D 14X14 DICING GRID	445,00
39	28121	CL50 D 20X20 DICING GRID	445,00
40	28122	CL50 D 25X25 DICING GRID	445,00



- (A)** 2P+EARTH EUR POWER CORD
- (M)** MOTOR
- (X)** CAPACITOR
- (Y)** MOTOR RELAY

INDEX	REF.	DESIGNATION	Pricelist in : EUR
1	27061	R201 CUTTING BLADE-FINE SERRATED	See Price list
2	29180	R201U BOWL STAINLESS STEEL	241,25
3	101084	R201U BOWL PIN	2,75
4	100964	R201U BOWL PIN SPRING	0,15
5	101360	R201U BOWL HOLDING PIN SCREW	1,70
6	29184	R201U LOCK PLATE & SCREWS	12,40
7	501010	BLIXER 4 COUPLING SEAL 15X35X6	7,40
8	500527	R2 MICROSWITCH SEAL	0,55
9	101105	R201 MICROSWITCH ASSEMBLY	10,05
10	29190	MOTOR SUPPORT ASS	89,15
11	29181	COMPLETE ON/OFF/PULSE/SWITCH ASS	74,55
12	400402	FRONT PLATE	7,40
13	101097	R201 FAN SHIELD	8,60
14	101099	R201 SHOCK ABSORBER	8,90
15	101087	R201 BOTTOM CASING	69,60
16	101082	R201 RUBBER FOOT	1,05
17	106458	R211 LID-CUTTING	47,90
18	117058	R301 BLADE CAP	0,65
19	27055	R201 CUTTING BLADE-FLAT	See Price list
20	101208	R201U BOLT COVER	0,60
21	29200	SCREW ASS	5,75
22	19188	ELECTRIC CIRCUIT BOARD	3,00
23	101106	R201 POWER CORD CLIP	0,15

N°	M	Voltage	A	X	Y	
22100	3202 200,60	230 / 50 / 1	507321 10,00	600018 12,30	500289 13,10	
22109	3205 200,60	115 / 60 / 1	507328 10,00	603669 10,55	500296 13,10	
22117	3206 220,75	220 / 60 / 1	507321 10,00	603669 10,55	500289 13,10	

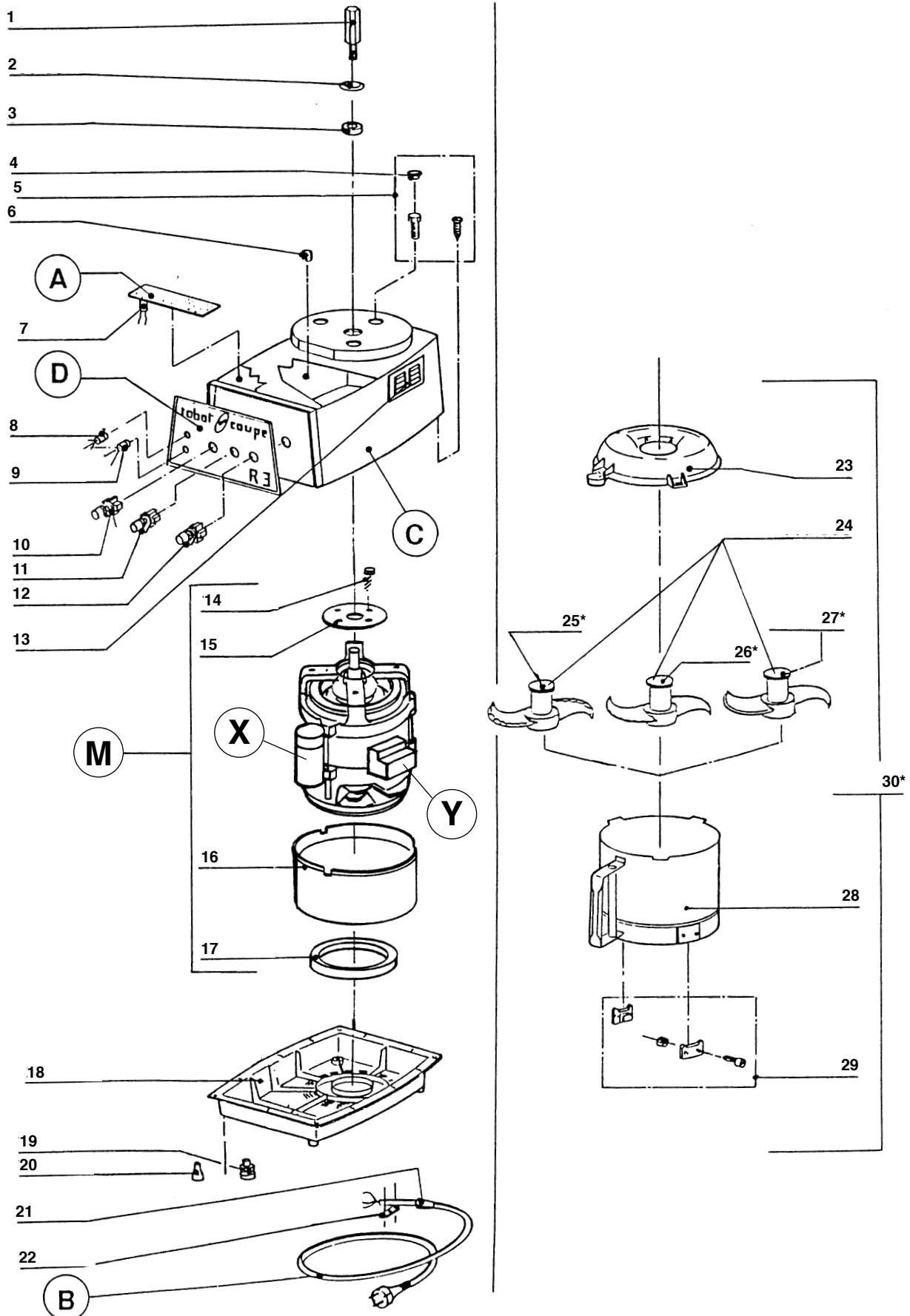


- (A)** 2P+EARTH EUR POWER CORD
- (M)** MOTOR
- (X)** CAPACITOR
- (Y)** MOTOR RELAY

INDEX	REF.	DESIGNATION	Pricelist in : EUR
1	27061	R201 CUTTING BLADE-FINE SERRATED	See Price list
2	29007	R201 BOWL PIN ASSEMBLY	1,80
3	102702	CUTTER BOWL LIGHT GREY	83,40
4	501010	BLIXER 4 COUPLING SEAL 15X35X6	7,40
5	500527	R2 MICROSWITCH SEAL	0,55
6	101105	R201 MICROSWITCH ASSEMBLY	10,05
7	29177	R201 TOP CASING	89,15
8	29218	R2-B CONTROL PANEL ASS	64,75
9	400692	FRONT PLATE	7,00
10	101097	R201 FAN SHIELD	8,60
11	101099	R201 SHOCK ABSORBER	8,90
12	101087	R201 BOTTOM CASING	69,60
13	101082	R201 RUBBER FOOT	1,05
14	106458	R211 LID-CUTTING	47,90
15	117058	R301 BLADE CAP	0,65
16	27055	R201 CUTTING BLADE-FLAT	See Price list
17	101104	R201 BOLT COVER	0,60
18	29178	SCREW ASS	5,75
19	19188	ELECTRIC CIRCUIT BOARD	3,00
20	101106	R201 POWER CORD CLIP	0,15



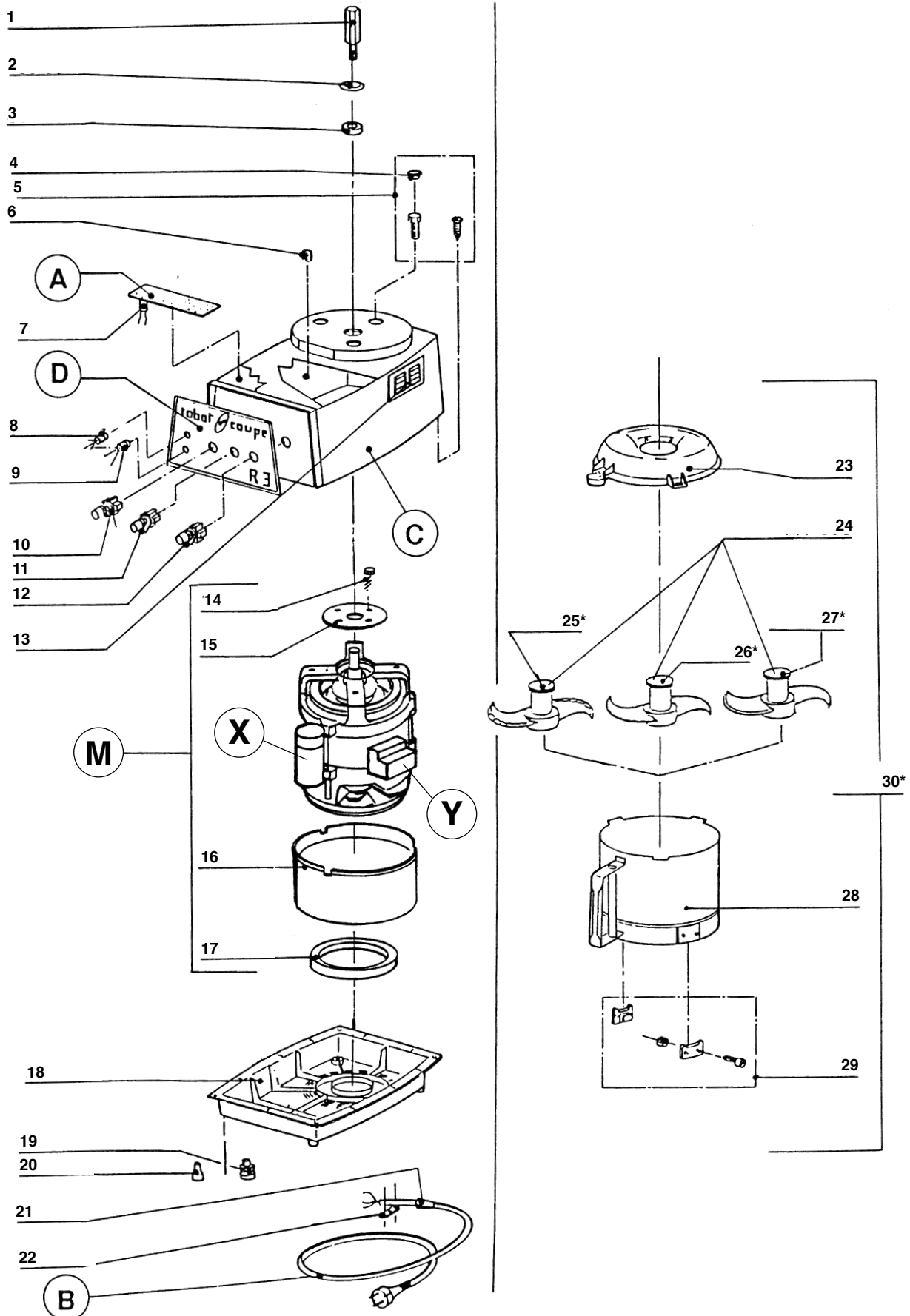
N°	M	Voltage	A	X	Y	
22113	3202 200,60	220 / 50 / 1	507321 10,00	600018 12,30	500289 13,10	
22116	3205 200,60	115 / 60 / 1	507328 10,00	603669 10,55	500296 13,10	
22118	3206 220,75	220 / 60 / 1	507321 10,00	603669 10,55	500289 13,10	



- (A)** R301U PCB
- (B)** POWER CORD
- (C)** MOTOR SUPPORT ASS
- (D)** FRONT PLATE
- (M)** MOTOR
- (X)** CAPACITOR
- (Y)** MOTOR RELAY

INDEX	REF.	DESIGNATION	Pricelist in : EUR
1	100082	R301U DRIVE SHAFT	13,80
2	100084	R301U DRIVE SHAFT COLLAR	1,65
3	500467	R301 MOTOR SEAL 12x22x4.5	1,30
4	100095	R301U BOLT COVER	0,60
5	29082	SCREW ASS	5,75
6	100841	ILS SOCKET	0,70
7	39358	R301U REED SW/SOCKET ASSEMBLY	4,55
8	500323	R301U INDICATOR-CLEAR	6,45
9	500324	R301U INDICATOR-GREEN	7,10
10	500322	GREEN KNOB	32,90
11	500321	RED KNOB	32,90
12	500301	BLACK KNOB	31,85
13	125290	R301 VENT COVER	2,55
14	125279	SCREW M6/M8	7,00
15	117693	LS D25 MOTOR SPACER	5,75
16	118340	BAFFLE	17,13
17	101099	R201 SHOCK ABSORBER	8,90
18	29243	R301 BOTTOM CASING	17,15
19	101082	R201 RUBBER FOOT	1,05
20	100642	R301 RUBBER FOOT	0,15
21	508706	R301 CABLE GROMMET	1,80
22	108515	POWER CORD CLIP	0,15
23	39380	R301 LID-CUTTING	74,80
24	117058	R301 BLADE CAP	0,65
25	27065	R301 COARSE SERRATED BLADE	See Price list
26	27135	R301 FINE SERRATED BLADE	See Price list
27	38150	R301 CUTTING BLADE METAL SHAFT	See Price list
28	29149	R301U BOWL-STAINLESS STEEL	249,95
29	29081	R301U LOCK PLATE & SCREWS	12,40
30	27014	R301U BOWL CUTTER ATTACHMENT	See Price list

N°	M	Voltage	A	B	C	D	X	Y	
22011	3062 212,25	220 / 60 / 1	39020 75,85	507322 10,00	29185 76,30	400917 7,60	603669 10,55	500289 13,10	
22060	3041 200,70	220 / 50 / 1	39020 75,85	507322 10,00	29185 76,30	400917 7,60	600018 12,30	500289 13,10	
22063	3049 200,70	115 / 60 / 1	39020 75,85	507329 10,00	29185 76,30	400917 7,60	603669 10,55	500296 13,10	



- (A)** CIRCUIT BOARD
- (B)** POWER CORD
- (C)** MOTOR SUPPORT ASS
- (D)** R3 NAME PLATE
- (M)** MOTOR
- (X-new)** CAPACITOR
- (X-old)** CAPACITOR
- (Y-new)** (M)Capacitor Relay
- (Y-old)** (M)Capacitor Relay

INDEX	REF.	DESIGNATION	Pricelist in : EUR
1	100082	R301U DRIVE SHAFT	13,80
2	100084	R301U DRIVE SHAFT COLLAR	1,65
3	500467	R301 MOTOR SEAL 12x22x4.5	1,30
4	100095	R301U BOLT COVER	0,60
5	29082	SCREW ASS	5,75
6	100841	ILS SOCKET	0,70
7	39358	R301U REED SW/SOCKET ASSEMBLY	4,55
8	500323	R301U INDICATOR-CLEAR	6,45
9	500324	R301U INDICATOR-GREEN	7,10
10	500322	GREEN KNOB	32,90
11	500321	RED KNOB	32,90
12	500301	BLACK KNOB	31,85
13	125290	R301 VENT COVER	2,55
14	125279	SCREW M6/M8	7,00
15	117693	LS D25 MOTOR SPACER	5,75
16	118340	BAFFLE	17,13
17	101099	R201 SHOCK ABSORBER	8,90
18	29243	R301 BOTTOM CASING	17,15
19	101082	R201 RUBBER FOOT	1,05
20	100642	R301 RUBBER FOOT	0,15
21	508706	R301 CABLE GROMMET	1,80
22	108515	POWER CORD CLIP	0,15
23	39380	R301 LID-CUTTING	74,80
24	117058	R301 BLADE CAP	0,65
25	27065	R301 COARSE SERRATED BLADE	See Price list
26	27135	R301 FINE SERRATED BLADE	See Price list
27	38150	R301 CUTTING BLADE METAL SHAFT	See Price list
28	29149	R301U BOWL-STAINLESS STEEL	249,95
29	29081	R301U LOCK PLATE & SCREWS	12,40
30	27014	R301U BOWL CUTTER ATTACHMENT	See Price list

**robot coupe**

**R 3 - 3000**

Pricelist in : EUR

N°	M	Voltage	A	B	C	D	X-new	X-old	Y-new	
22003	302041 395,45	230 / 50 / 1	39022 75,85	507322 10,00	29097 76,30	401044 7,60	502474 30,05	600018 12,30	503092 23,50	
22004	302043 431,35	115 / 60 / 1	39023 83,65	507329 10,00	29097 76,30	401044 7,60	502732 12,35	505450 33,05	508277 50,50	

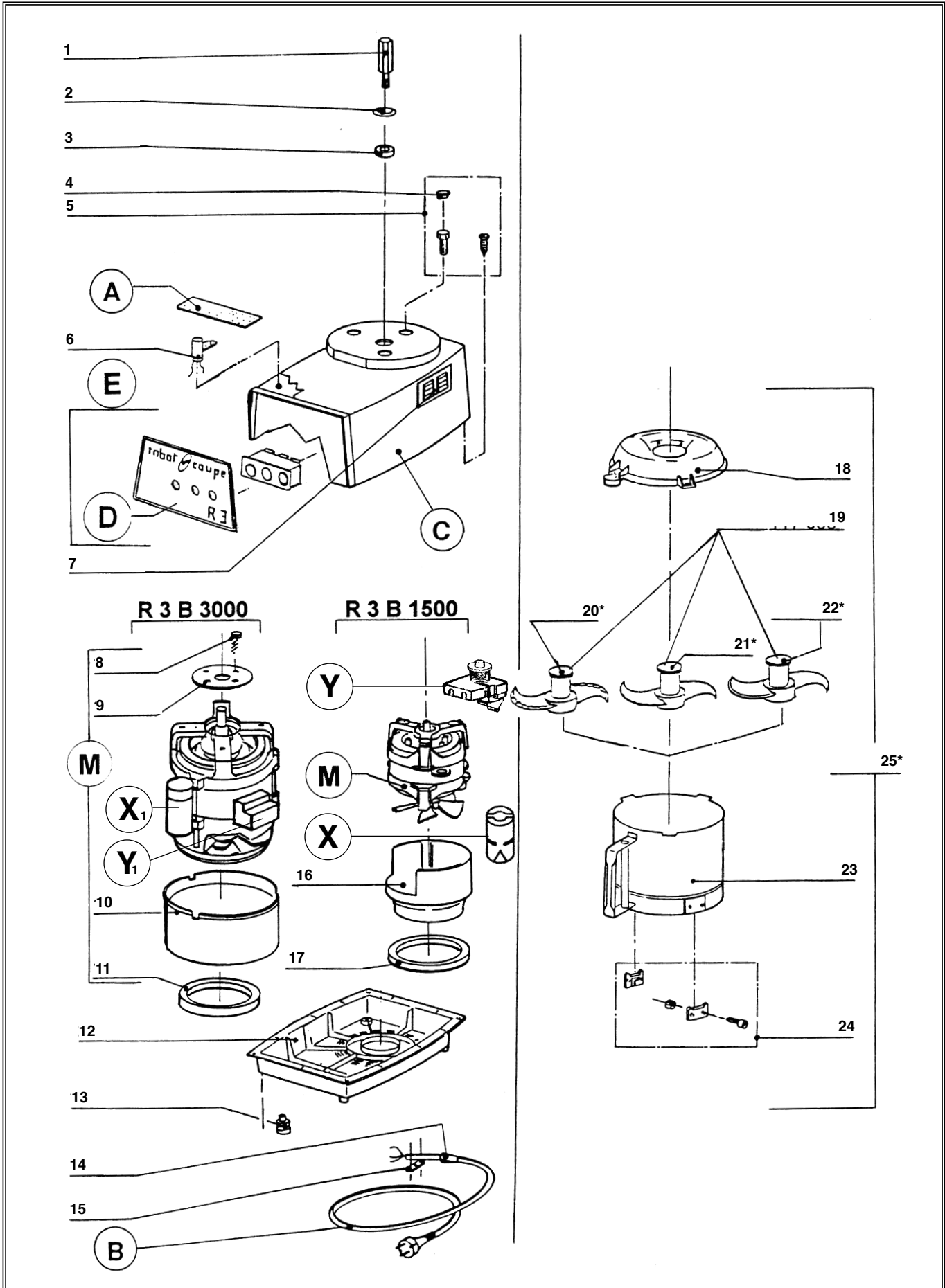
**robot coupe®**

**R 3 - 3000**

**Pricelist in : EUR**

N°	M	Voltage	Y-old	
22003	302041 395,45	230 / 50 / 1	514030 48,45	
22004	302043 431,35	115 / 60 / 1	508277 50,50	





- (A)** CIRCUIT BOARD
- (B)** POWER CORD
- (C)** MOTOR SUPPORT ASS
- (D)** R3 (B) 1500 NAME PLATE
- (E)** SWITCH PANNEL ASS
- (M)** MOTOR
- (X)** CAPACITOR
- (Y)** MOTOR RELAY

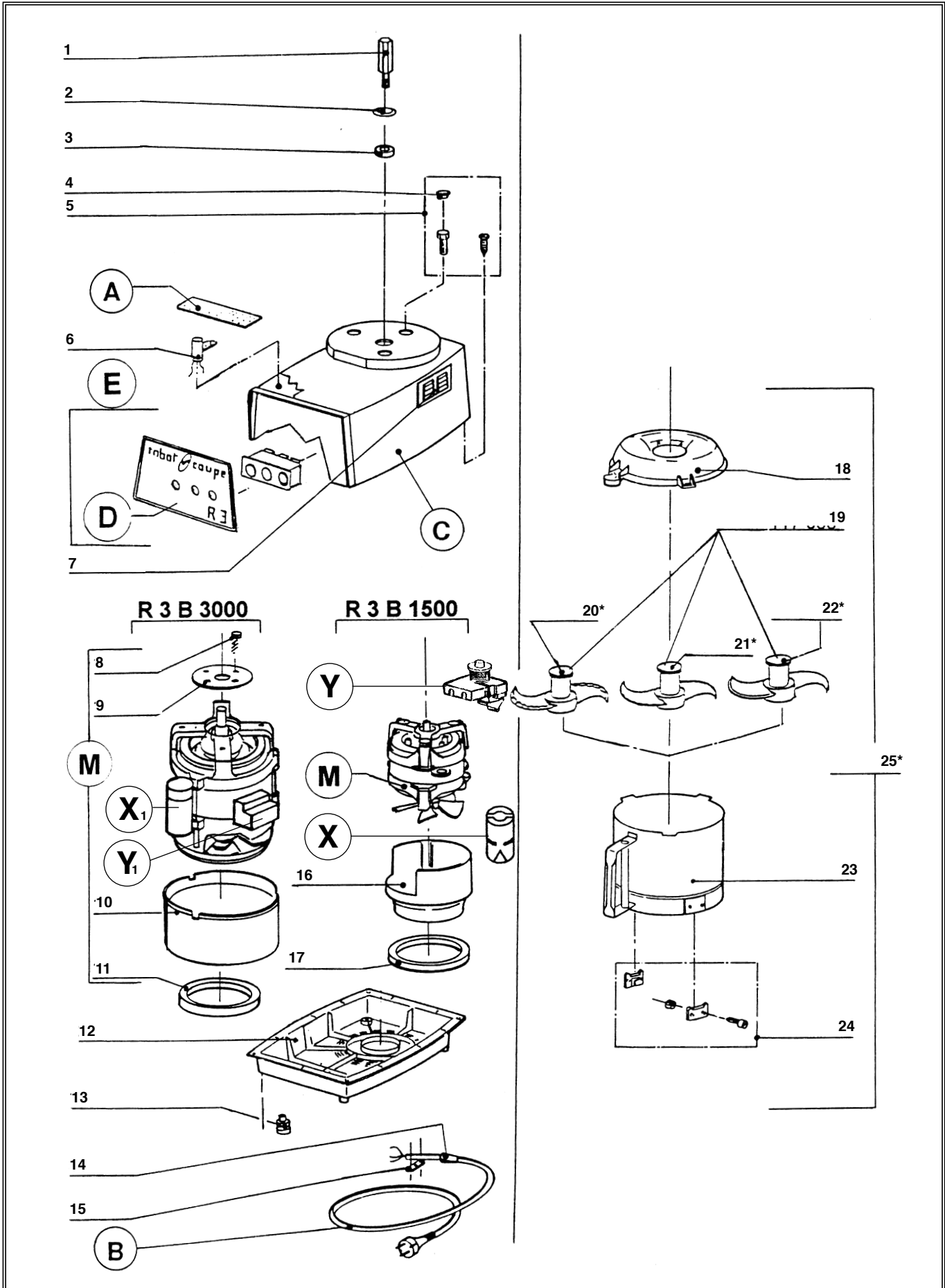
INDEX	REF.	DESIGNATION	Pricelist in : EUR
1	100082	R301U DRIVE SHAFT	13,80
2	100084	R301U DRIVE SHAFT COLLAR	1,65
3	500467	R301 MOTOR SEAL 12x22x4.5	1,30
4	100095	R301U BOLT COVER	0,60
5	29082	SCREW ASS	5,75
6	29441	R301 ULTRA B REED SWITCH ASS	10,45
7	125290	R301 VENT COVER	2,55
8	125279	SCREW M6/M8	7,00
9	117693	LS D25 MOTOR SPACER	5,75
10	118340	BAFFLE	17,13
11	101099	R201 SHOCK ABSORBER	8,90
12	29243	R301 BOTTOM CASING	17,15
13	101082	R201 RUBBER FOOT	1,05
14	508706	R301 CABLE GROMMET	1,80
15	108515	POWER CORD CLIP	0,15
16	117266	R301U B FAN SHIELD	8,60
17	101099	R201 SHOCK ABSORBER	8,90
18	39380	R301 LID-CUTTING	74,80
19	117058	R301 BLADE CAP	0,65
20	27065	R301 COARSE SERRATED BLADE	See Price list
21	27135	R301 FINE SERRATED BLADE	See Price list
22	38150	R301 CUTTING BLADE METAL SHAFT	See Price list
23	29149	R301U BOWL-STAINLESS STEEL	249,95
24	29081	R301U LOCK PLATE & SCREWS	12,40
25	27014	R301U BOWL CUTTER ATTACHMENT	See Price list

**robot coupe®**

**R 3 "B" - 1500**

**Pricelist in : EUR**

N°	M	Voltage	A	B	C	D	E	X	Y	
22202	3091 212,15	220 / 60 / 1	102303 75,75	507322 10,00	29444 76,30	405862 7,60	29445 74,55	603669 10,55	500289 13,10	
22205	3093 200,70	115 / 60 / 1	102302 62,30	507329 10,00	29444 76,30	405862 7,60	29445 74,55	603669 10,55	500296 13,10	
22206	3092 200,70	220 / 50 / 1	102303 75,75	507322 10,00	29444 76,30	405862 7,60	29445 74,55	600018 12,30	500289 13,10	



- (A)** CIRCUIT BOARD
- (B)** POWER CORD
- (C)** R3 (B) 1500 TOP CASING
- (D)** FRONT PLATE
- (E)** SWITCH PANNEL ASS
- (M)** MOTOR
- (X-new)** CAPACITOR
- (X-old)** CAPACITOR
- (Y-new)** (M)Capacitor Relay
- (Y-old)** (M)Capacitor Relay

INDEX	REF.	DESIGNATION	Pricelist in : EUR
1	100082	R301U DRIVE SHAFT	13,80
2	100084	R301U DRIVE SHAFT COLLAR	1,65
3	500467	R301 MOTOR SEAL 12x22x4.5	1,30
4	100095	R301U BOLT COVER	0,60
5	29082	SCREW ASS	5,75
6	29441	R301 ULTRA B REED SWITCH ASS	10,45
7	125290	R301 VENT COVER	2,55
8	125279	SCREW M6/M8	7,00
9	117693	LS D25 MOTOR SPACER	5,75
10	118340	BAFFLE	17,13
11	101099	R201 SHOCK ABSORBER	8,90
12	29243	R301 BOTTOM CASING	17,15
13	101082	R201 RUBBER FOOT	1,05
14	508706	R301 CABLE GROMMET	1,80
15	108515	POWER CORD CLIP	0,15
16	117266	R301U B FAN SHIELD	8,60
17	101099	R201 SHOCK ABSORBER	8,90
18	39380	R301 LID-CUTTING	74,80
19	117058	R301 BLADE CAP	0,65
20	27065	R301 COARSE SERRATED BLADE	See Price list
21	27135	R301 FINE SERRATED BLADE	See Price list
22	38150	R301 CUTTING BLADE METAL SHAFT	See Price list
23	29149	R301U BOWL-STAINLESS STEEL	249,95
24	29081	R301U LOCK PLATE & SCREWS	12,40
25	27014	R301U BOWL CUTTER ATTACHMENT	See Price list

**robot coupe®**

**R 3 "B" - 3000**

Pricelist in : EUR

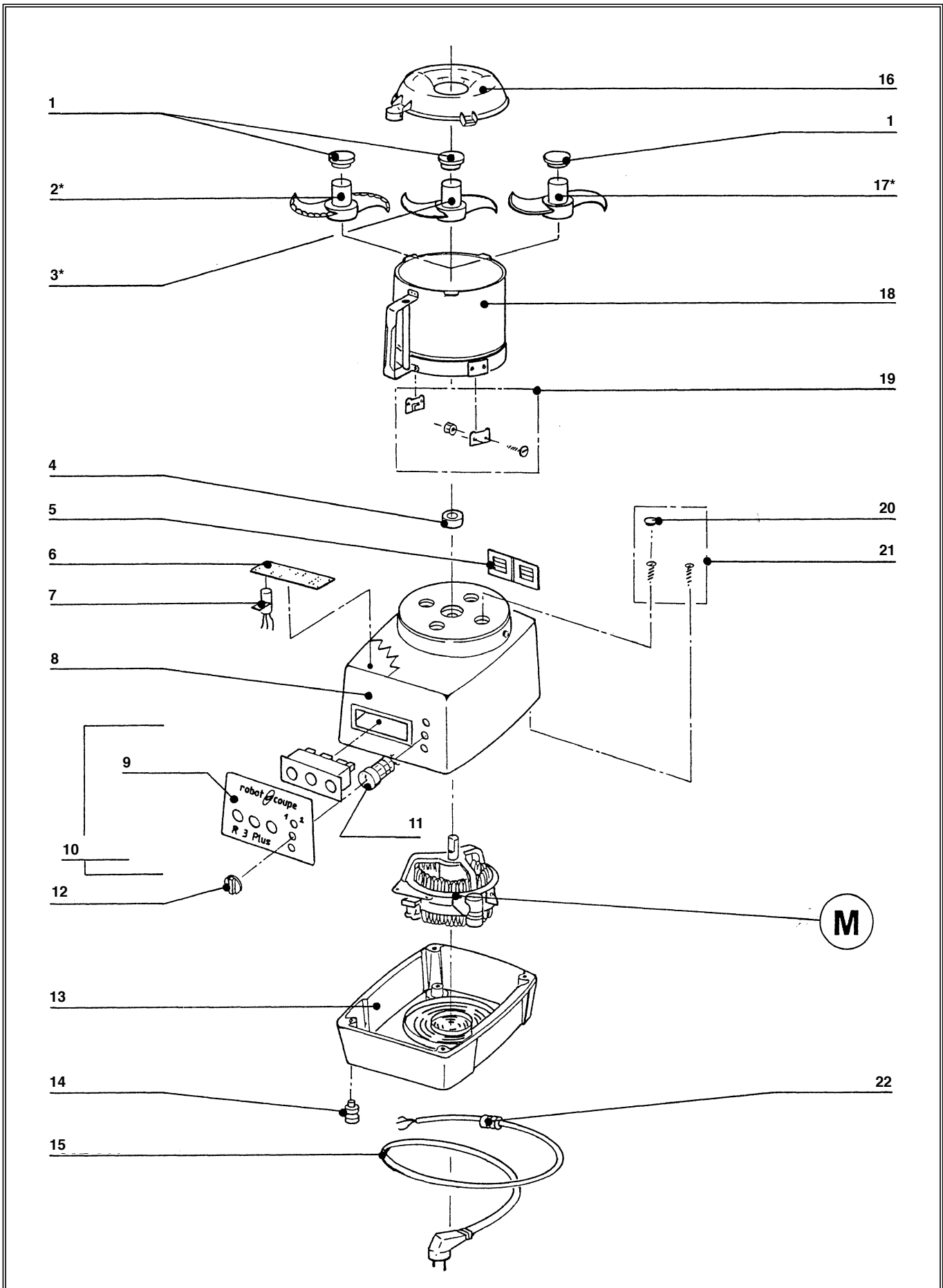
N°	M	Voltage	A	B	C	D	E	X-new	X-old	
22207	301076 431,35	220 / 60 / 1	102305 75,75	507322 10,00	29442 76,30	405863 7,60	29443 74,55	502474 30,05	600018 12,30	
22210	302041 395,45	230 / 50 / 1	102305 75,75	507322 10,00	29442 76,30	405863 7,60	29443 74,55	502474 30,05	600018 12,30	
22211	302043 431,35	115 / 60 / 1	102304 83,55	507329 10,00	29442 76,30	405863 7,60	29443 74,55	502732 12,35	505450 33,05	

**robot coupe**

**R 3 "B" - 3000**

Pricelist in : EUR

N°	M	Voltage	Y-new	Y-old	
22207	301076 431,35	220 / 60 / 1	514030 48,45	514030 48,45	
22210	302041 395,45	230 / 50 / 1	503092 23,50	514030 48,45	
22211	302043 431,35	115 / 60 / 1	508277 50,50	508277 50,50	







MOTOR

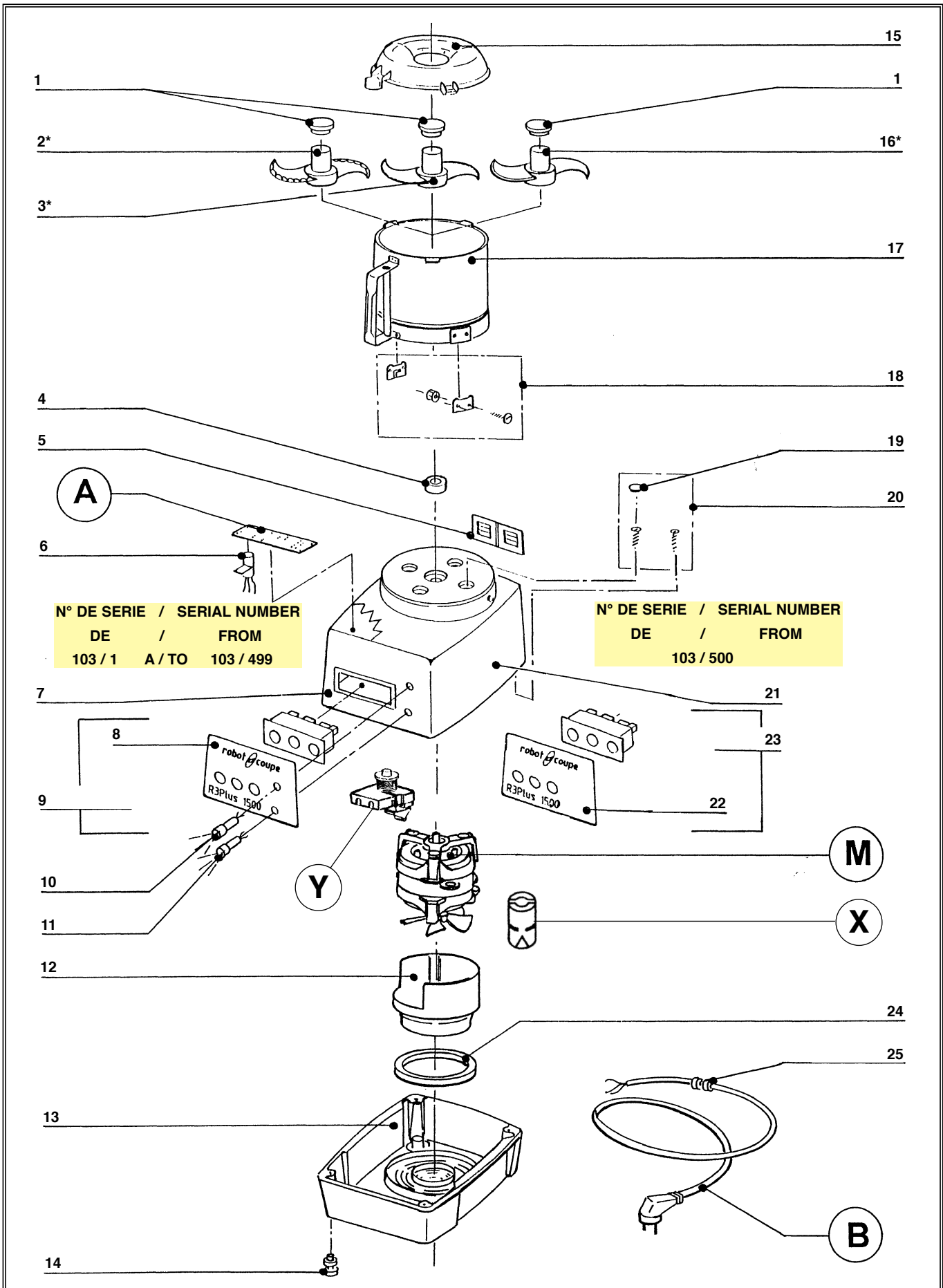
INDEX	REF.	DESIGNATION	Pricelist in : EUR
1	117059	R302 BLADE CAP	0,65
2	27111	R302 COARSE SERRATED BLADE	See Price list
3	27134	R302 FINE SERRATED BLADE	See Price list
4	501010	BLIXER 4 COUPLING SEAL 15X35X6	7,40
5	101098	VENT COVER	3,55
6	102099	R602/502 PCB 415V	130,25
7	29379	R3 PLUS REED SWITCH ASSEMBLY	13,75
8	29330	MOTOR SUPPORT ASS	184,55
9	401541	R3 PLUS FRONT PLATE	7,60
10	29331	SWITCH ASS	74,55
11	501840	R501Ua SPEED SWITCH ASSEMBLY	56,45
12	117072	R302 PLUS/502 SPEED SWITCH HANDLE	7,70
13	29335	R302 BOTTOM CASE	79,00
14	102031	FOOT	1,05
15	502067	POWER CORD	29,95
16	39380	R301 LID-CUTTING	74,80
17	27110	R302 FLAT BLADE	See Price list
18	29149	R301U BOWL-STAINLESS STEEL	249,95
19	29081	R301U LOCK PLATE & SCREWS	12,40
20	102037	SCREW CAP	0,60
21	29321	SCREW ASS	5,75
22	515515	CL60 CABLE GROMMET	3,45

**robot coupe®**

**R 3 Plus tri**

**Pricelist in : EUR**

N°	M	Voltage	
22016	303017 305,10	380 / 50 / 3	
22018	303005 305,10	220 / 60 / 3	
22019	301073 305,10	380 / 60 / 3	
22078	302044 305,10	220 / 50 / 3	



- (A)** R301U PCB
- (B)** POWER CORD
- (M)** MOTOR
- (X)** CAPACITOR
- (Y)** MOTOR RELAY

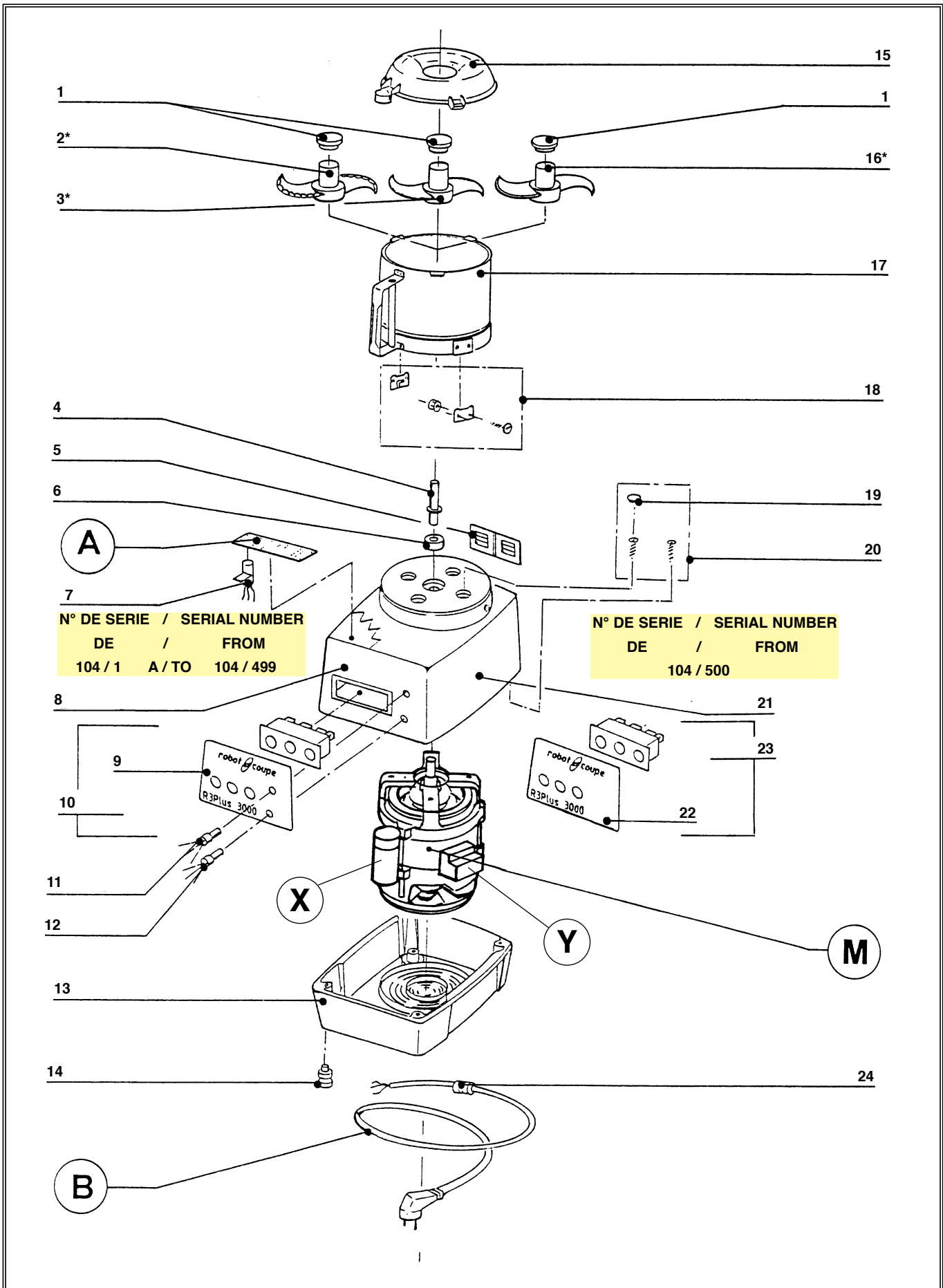
INDEX	REF.	DESIGNATION	Pricelist in : EUR
1	117059	R302 BLADE CAP	0,65
2	27111	R302 COARSE SERRATED BLADE	See Price list
3	27134	R302 FINE SERRATED BLADE	See Price list
4	501010	BLIXER 4 COUPLING SEAL 15X35X6	7,40
5	101098	VENT COVER	3,55
6	29379	R3 PLUS REED SWITCH ASSEMBLY	13,75
7	29397	MOTOR SUPPORT ASS	184,55
8	405726	FRONT PLATE	7,60
9	29396	R3 PLUS SWITCH ASS 240V	74,55
10	500323	R301U INDICATOR-CLEAR	6,45
11	500324	R301U INDICATOR-GREEN	7,10
12	102049	R302 MOTOR FAN SHIELD	25,65
13	29335	R302 BOTTOM CASE	79,00
14	102031	FOOT	1,05
15	39380	R301 LID-CUTTING	74,80
16	27110	R302 FLAT BLADE	See Price list
17	29149	R301U BOWL-STAINLESS STEEL	249,95
18	29081	R301U LOCK PLATE & SCREWS	12,40
19	102037	SCREW CAP	0,60
20	29321	SCREW ASS	5,75
21	29462	R3 PLUS TOP CASE (1500)	184,55
22	405923	R3 PLUS NAME PLATE (1500)	7,60
23	29453	SWITCH ASS	74,55
24	101099	R201 SHOCK ABSORBER	8,90
25	515515	CL60 CABLE GROMMET	3,45

**robot coupe®**

**R 3 Plus - 1500 mono**

**Pricelist in : EUR**

N°	M	Voltage	A	B	X	Y	
22056	3074 200,70	220 / 50 / 1	39020 75,85	507322 10,00	600018 12,30	500289 13,10	
22058	3076 200,70	115 / 60 / 1	39021 75,85	507329 10,00	603669 10,55	500296 13,10	
22059	3075 212,25	220 / 60 / 1	39020 75,85	507322 10,00	603669 10,55	500296 13,10	



- (A)** CIRCUIT BOARD
- (B)** POWER CORD
- (M)** BLIXER 3 PLUS MOTOR 240V 50HZ
- (X-new)** CAPACITOR
- (X-old)** CAPACITOR
- (Y-new)** BLIXER 4 RELAY 2CR3 228
- (Y-old)** (M)Capacitor Relay

INDEX	REF.	DESIGNATION	Pricelist in : EUR
1	117059	R302 BLADE CAP	0,65
2	27111	R302 COARSE SERRATED BLADE	See Price list
3	27134	R302 FINE SERRATED BLADE	See Price list
4	117766	BLIXER 3+ DRIVE SHAFT	25,10
5	101098	VENT COVER	3,55
6	501010	BLIXER 4 COUPLING SEAL 15X35X6	7,40
7	29379	R3 PLUS REED SWITCH ASSEMBLY	13,75
8	29398	MOTOR SUPPORT ASS	184,55
9	405727	R3 PLUS NAME PLATE (WITH NEON)	7,60
10	29399	SWITCH ASS	74,55
11	500323	R301U INDICATOR-CLEAR	6,45
12	500324	R301U INDICATOR-GREEN	7,10
13	29335	R302 BOTTOM CASE	79,00
14	102031	FOOT	1,05
15	39380	R301 LID-CUTTING	74,80
16	27110	R302 FLAT BLADE	See Price list
17	29149	R301U BOWL-STAINLESS STEEL	249,95
18	29081	R301U LOCK PLATE & SCREWS	12,40
19	102037	SCREW CAP	0,60
20	29321	SCREW ASS	5,75
21	29575	MOTOR SUPPORT ASS	184,55
22	405924	FRONT PLATE	7,60
23	29454	SWITCH ASS	74,55
24	515515	CL60 CABLE GROMMET	3,45

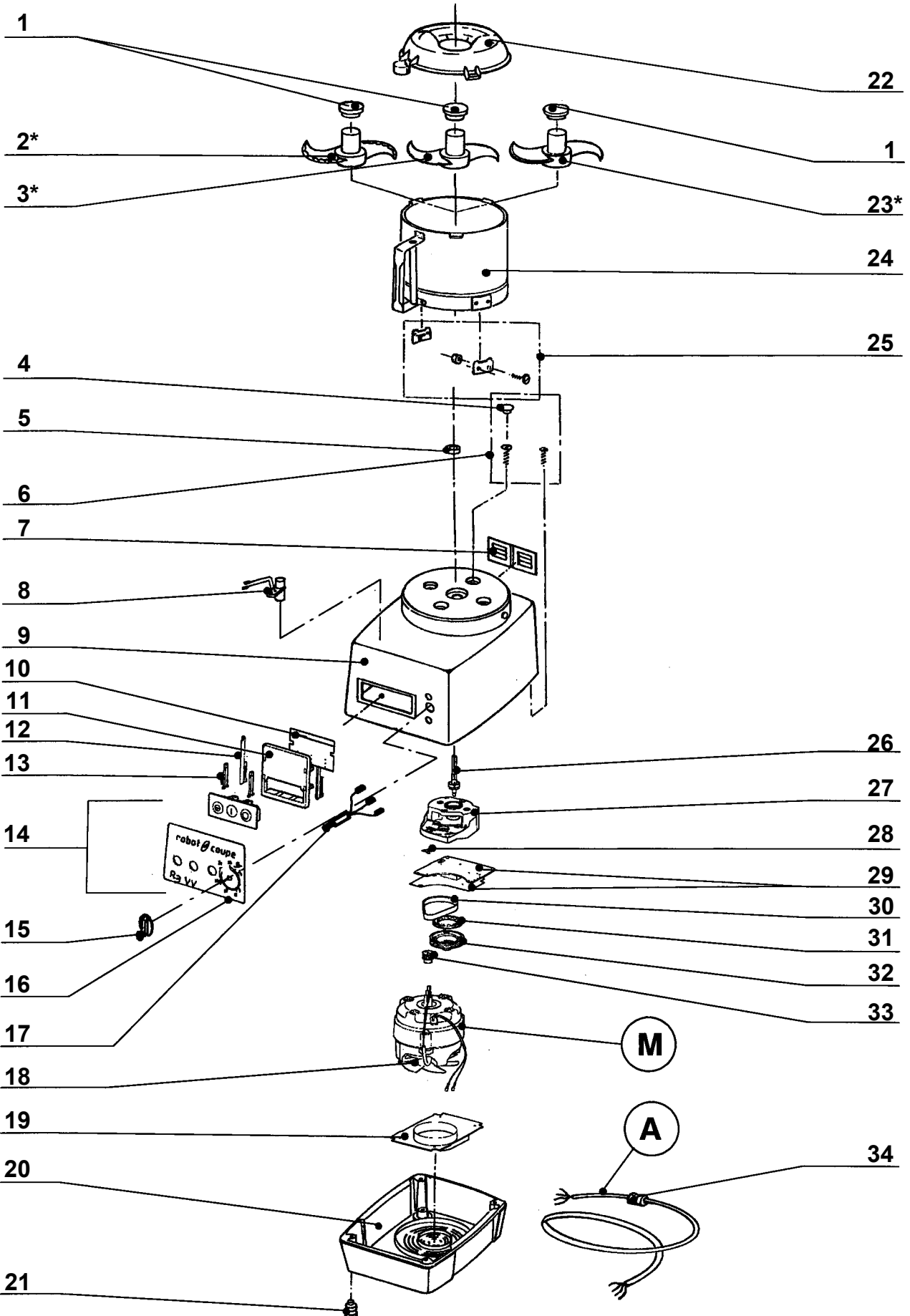
**robot coupe®**

**R 3 Plus - 3000 mono**

**Pricelist in : EUR**

N°	M	Voltage	A	B	X-new	X-old	Y-new	Y-old	
22051	302045 395,45	230 / 50 / 1	117124 75,85	507322 10,00	502474 30,05	600018 12,30	503092 23,50	514030 48,45	
22053	302046 395,45	115 / 60 / 1	117131 75,85	507329 10,00	502732 12,35	505450 33,05	508277 50,50	508277 50,50	
22221	302047 395,45	220 / 60 / 1	102305 75,75	507322 10,00	502474 30,05	600018 12,30	514030 48,45	514030 48,45	





**(A)** 2P+EARTH 1,5 MM<sup>2</sup>POWER CORD

**(M)** MOTOR

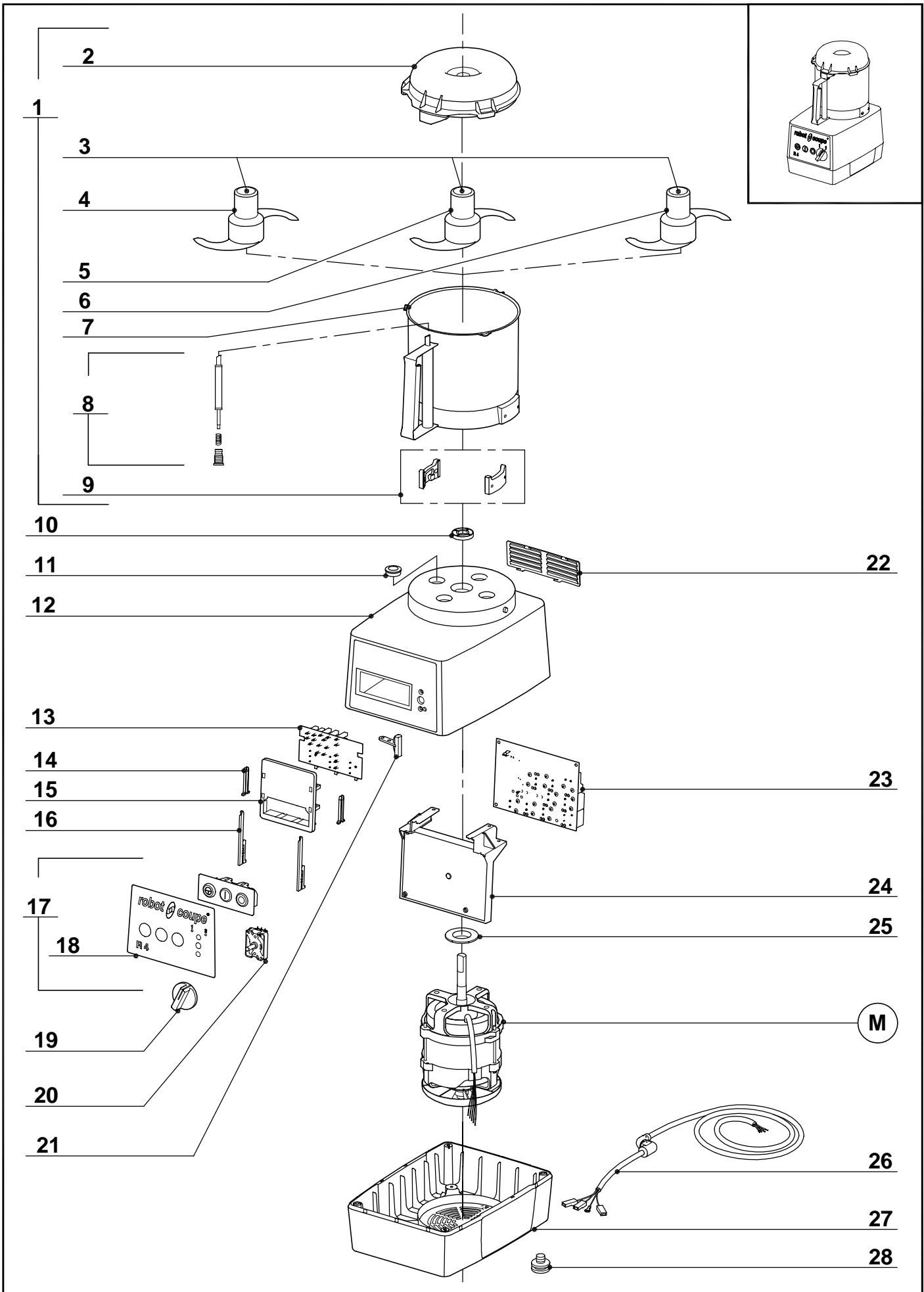
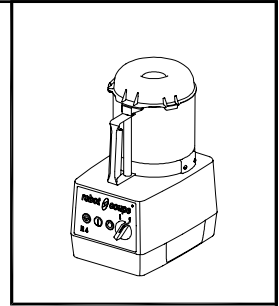
INDEX	REF.	DESIGNATION	Pricelist in : EUR
1	117059	R302 BLADE CAP	0,65
2	27111	R302 COARSE SERRATED BLADE	See Price list
3	27134	R302 FINE SERRATED BLADE	See Price list
4	102037	SCREW CAP	0,60
5	501010	BLIXER 4 COUPLING SEAL 15X35X6	7,40
6	29321	SCREW ASS	5,75
7	101098	VENT COVER	3,55
8	29451	CL50D REED SWITCH	13,75
9	29611	MOTOR SUPPORT ASS	184,50
10	102921	R302VV SWITCH CONTROL PCB	13,70
11	102911	R301U (C) PCB SUPPORT	3,30
12	117703	R301U (C) PCB KEY	0,55
13	102913	R401 PANEL KEY	0,80
14	29607	SWITCH ASS	74,50
15	117073	R602VV SWITCH HANDLE	7,70
16	406756	R3 V.V. FRONT PLATE	7,60
17	29644	R302VV SPEED/REED SWITCH ASS	45,90
18	102934	R302VV MOTOR FAN	5,25
19	103157	R302 V.V. DEFLECTOR	8,60
20	29335	R302 BOTTOM CASE	79,00
21	102031	FOOT	1,05
22	39380	R301 LID-CUTTING	74,80
23	27110	R302 FLAT BLADE	See Price list
24	29149	R301U BOWL-STAINLESS STEEL	249,95
25	29081	R301U LOCK PLATE & SCREWS	12,40
26	29604	R402VV DRIVE SHAFT ASSEMBLY	80,25
27	102910	TRANSMISSION SUPPORT HOLDER	21,00
28	102920	R402VV PCB SENSOR	17,90
29	102935	CL60 MAGNET ARM SUPPORT	463,90
30	503940	R402VV DRIVE BELT	37,35
31	102922	R402VV TOOTHED WHEEL	14,60
32	102923	R402VV LARGE PULLEY	44,05
33	102924	R402VV SMALL PULLEY	38,30
34	515515	CL60 CABLE GROMMET	3,45

**robot coupe®**

**R 3 V.V.**

**Pricelist in : EUR**

N°	M	Voltage	A	
22096	303076 375,75	200-230 / 50-60 / 1	503978 10,00	





R4 3 PHASE MOTOR 400V 50HZ

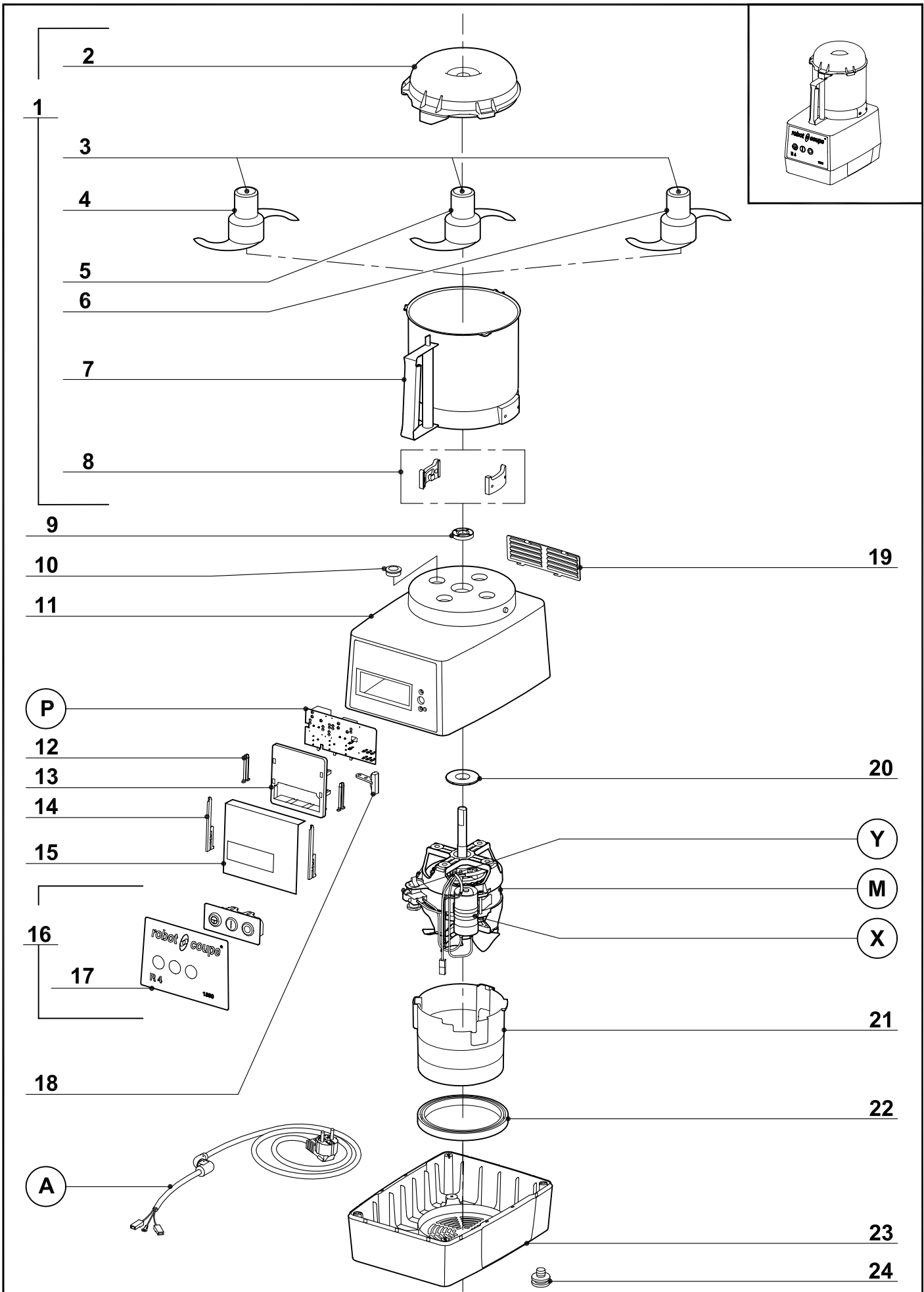
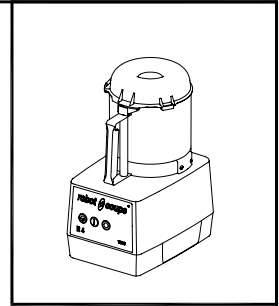
INDEX	REF.	DESIGNATION	Pricelist in : EUR
1	27251	R401 BOWL CUTTER ATTACHMENT	See Price list
2	117395	R401 LID-CUTTING	60,65
3	104147	R401 BLADE CAP	0,65
4	27255	R401 SMOOTH BLADE	See Price list
5	27254	R401 FINE SERRATED BLADE	See Price list
6	27253	R401 COARSE SERRATED BLADE	See Price list
7	104085	R401 BOWL 4LT STAINLESS STEEL	240,25
8	39225	R401 SAFETY ROD ASSY	Contact us
9	29081	R301U LOCK PLATE & SCREWS	12,40
10	501010	BLIXER 4 COUPLING SEAL 15X35X6	7,40
11	104070	R401 BOLT COVER	0,60
12	39123	R4 TOP CASE	193,20
13	101921	R402 SWITCH CONTROL PCB	136,40
14	102913	R401 PANEL KEY	0,80
15	102911	R301U (C) PCB SUPPORT	3,30
16	117703	R301U (C) PCB KEY	0,55
17	39124	R4 3 PHASE SWITCH ASS + NAME PLATE	78,00
18	407839	R4 3 PHASE NAME PLATE	7,90
19	117805	R502A/602A SPEED SWITCH HANDLE	7,70
20	117792	R502A/602A SPEED SWITCH	7,70
21	29441	R301 ULTRA B REED SWITCH ASS	10,45
22	104122	R401 VENT COVER	3,75
23	102600	R502A/R602A PCB	130,25
24	117809	R502 PCB MOUNTING	5,10
25	104079	R402 MOTOR SHAFT WASHER	0,85
26	504282	R402 POWER CORD	31,35
27	39112	R402 BOTTOM CASE	41,40
28	101082	R201 RUBBER FOOT	1,05

**robot coupe®**

**R 4 - tri**

**Pricelist in : EUR**

N°	M	Voltage	M	
22339	303145 305,10	400 / 50 / 3	303145 305,10	
22341	303146 305,10	220 / 60 / 3	303146 305,10	
22342	303147 305,10	380 / 60 / 3	303147 305,10	
22343	303144 305,10	230 / 50 / 3	303144 305,10	



- (A)** POWER CORD 2P+T AUST
- (M)** MOTOR
- (P)** R301UD PCB 120V
- (X)** CAPACITOR
- (Y)** MOTOR RELAY

INDEX	REF.	DESIGNATION	Pricelist in : EUR
1	27251	R401 BOWL CUTTER ATTACHMENT	See Price list
2	117395	R401 LID-CUTTING	60,65
3	104147	R401 BLADE CAP	0,65
4	27255	R401 SMOOTH BLADE	See Price list
5	27254	R401 FINE SERRATED BLADE	See Price list
6	27253	R401 COARSE SERRATED BLADE	See Price list
7	104085	R401 BOWL 4LT STAINLESS STEEL	240,25
8	29081	R301U LOCK PLATE & SCREWS	12,40
9	501010	BLIXER 4 COUPLING SEAL 15X35X6	7,40
10	104070	R401 BOLT COVER	0,60
11	39187	BLIXER 4 1500 TOP CASE	193,20
12	102913	R401 PANEL KEY	0,80
13	102911	R301U (C) PCB SUPPORT	3,30
14	117703	R301U (C) PCB KEY	0,55
15	104131	R401 PCB PROTECTOR	1,50
16	39189	R4 1500 SWITCH ASS + NAME PLATE	78,00
17	407838	R4 1500 NAME PLATE	7,90
18	29441	R301 ULTRA B REED SWITCH ASS	10,45
19	104122	R401 VENT COVER	3,75
20	104078	R401 MOTOR SHAFT WASHER	0,85
21	104110	R401 MOTOR FAN SHIELD	21,50
22	101099	R201 SHOCK ABSORBER	8,90
23	39201	R401 BOTTOM CASE	41,40
24	101082	R201 RUBBER FOOT	1,05

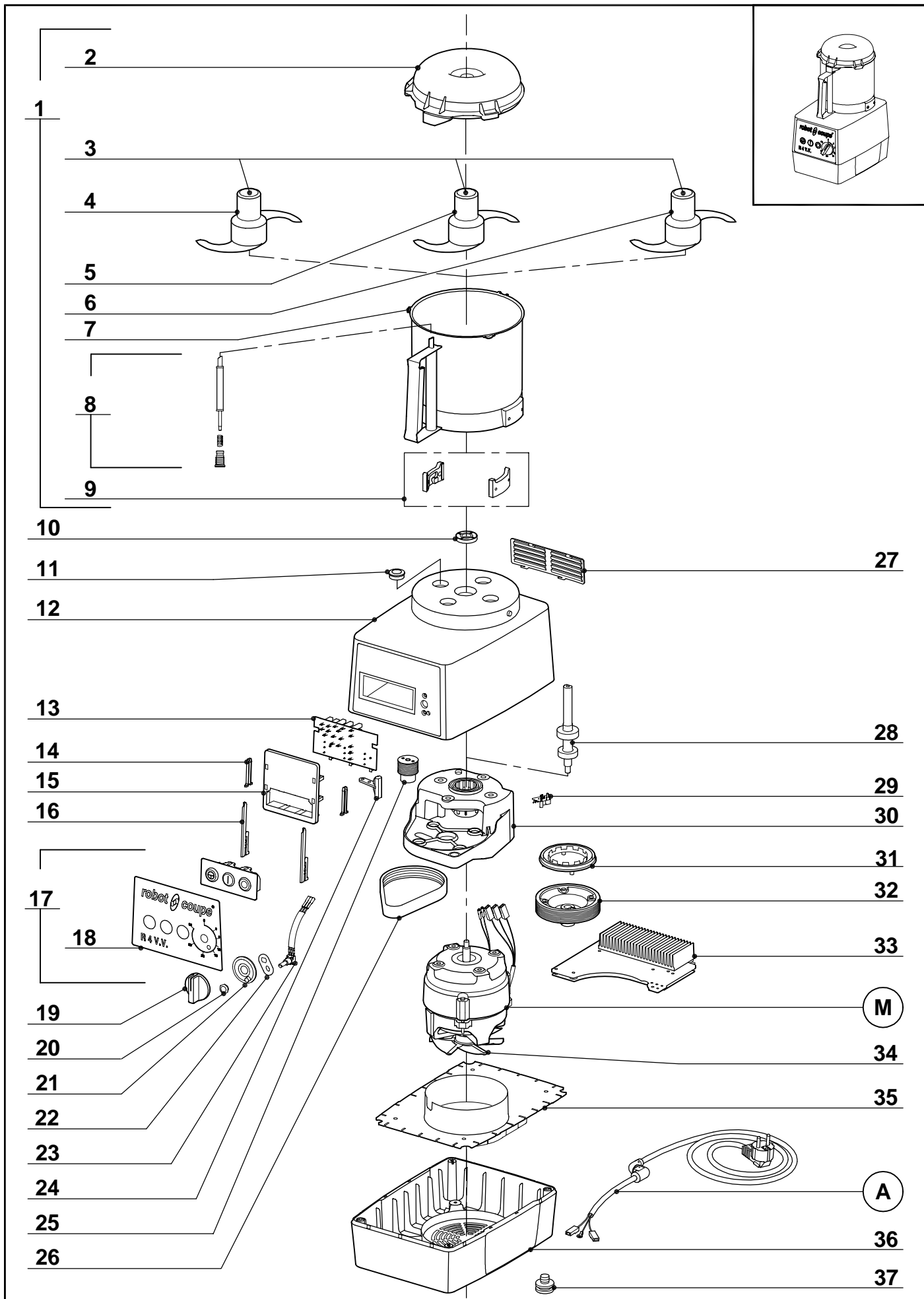


**robot coupe®**

**R 4 - 1500**

**Pricelist in : EUR**

N°	M	Voltage	A	M	P	X	Y	
22344	3074 200,70	230 / 50 / 1	504274 10,50	3074 200,70	103693 79,30	600018 12,30	500289 13,10	
22346	3076 200,70	115 / 60 / 1	504277 10,50	3076 200,70	103692 79,30	603669 10,55	500296 13,10	
22347	3075 212,25	220 / 60 / 1	504274 10,50	3075 212,25	103693 79,30	603669 10,55	500289 13,10	



**(A)** POWER CORD 1,5 DK

**(M)** MOTOR

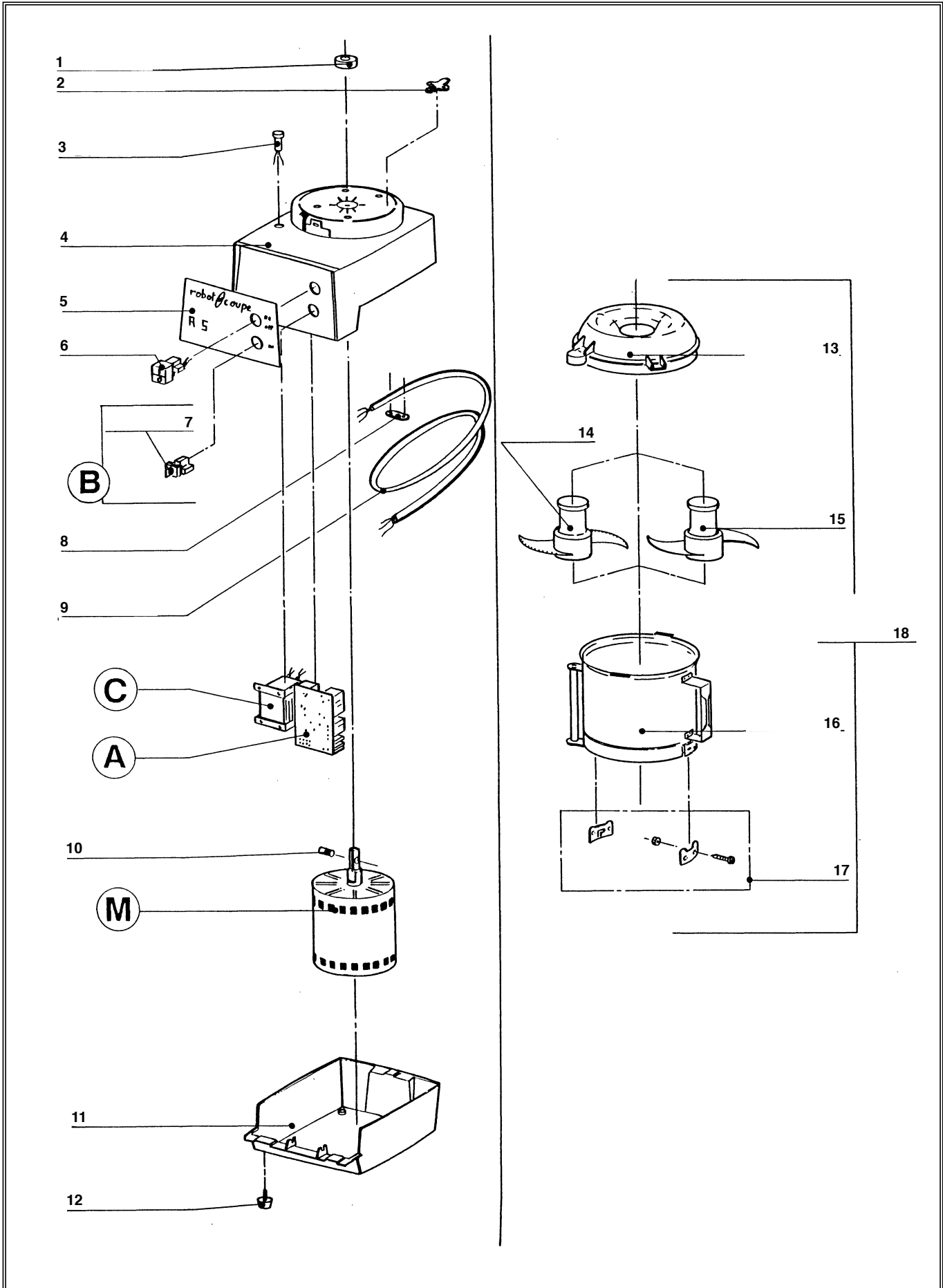
INDEX	REF.	DESIGNATION	Pricelist in : EUR
1	27251	R401 BOWL CUTTER ATTACHMENT	See Price list
2	117395	R401 LID-CUTTING	60,65
3	104147	R401 BLADE CAP	0,65
4	27255	R401 SMOOTH BLADE	See Price list
5	27254	R401 FINE SERRATED BLADE	See Price list
6	27253	R401 COARSE SERRATED BLADE	See Price list
7	104085	R401 BOWL 4LT STAINLESS STEEL	240,25
8	39225	R401 SAFETY ROD ASSY	Contact us
9	29081	R301U LOCK PLATE & SCREWS	12,40
10	501010	BLIXER 4 COUPLING SEAL 15X35X6	7,40
11	104070	R401 BOLT COVER	0,60
12	39121	R4VV TOP CASE	193,20
13	102921	R302VV SWITCH CONTROL PCB	13,70
14	102913	R401 PANEL KEY	0,80
15	102911	R301U (C) PCB SUPPORT	3,30
16	117703	R301U (C) PCB KEY	0,55
17	39204	R4VV SWITCH ASS + NAME PLATE	78,00
18	407840	R4VV NAME PLATE	7,90
19	117073	R602VV SWITCH HANDLE	7,70
20	103308	R402VV NUT	0,80
21	104440	PLASTIC POTENTIOMETER STOP	0,85
22	101551	R402VV SPACER	2,45
23	39202	R402VV POTENTIOMETER ASS	48,05
24	29441	R301 ULTRA B REED SWITCH ASS	10,45
25	102924	R402VV SMALL PULLEY	38,30
26	503940	R402VV DRIVE BELT	37,35
27	104122	R401 VENT COVER	3,75
28	29604	R402VV DRIVE SHAFT ASSEMBLY	80,25
29	102920	R402VV PCB SENSOR	17,90
30	104125	R402VV MOTOR COVER	35,55
31	102922	R402VV TOOTHED WHEEL	14,60
32	102923	R402VV LARGE PULLEY	44,05
33	102934	R302VV MOTOR FAN	5,25
34	102935	CL60 MAGNET ARM SUPPORT	463,90
35	104109	R402VV DEFLECTOR PLATE	9,00
36	39112	R402 BOTTOM CASE	41,40
37	101082	R201 RUBBER FOOT	1,05

**robot coupe®**

**R 4 V.V.**

**Pricelist in : EUR**

N°	M	Voltage	A	M	
22336	303076 375,75	200-230 / 50-60 / 1	504279 10,50	303076 375,75	



- (A)** CIRCUIT BOARD
- (B)** COMMUTATOR ASS
- (C)** R501 TRANSFORMER
- (M)** BLIXER 5 MOTOR 415V

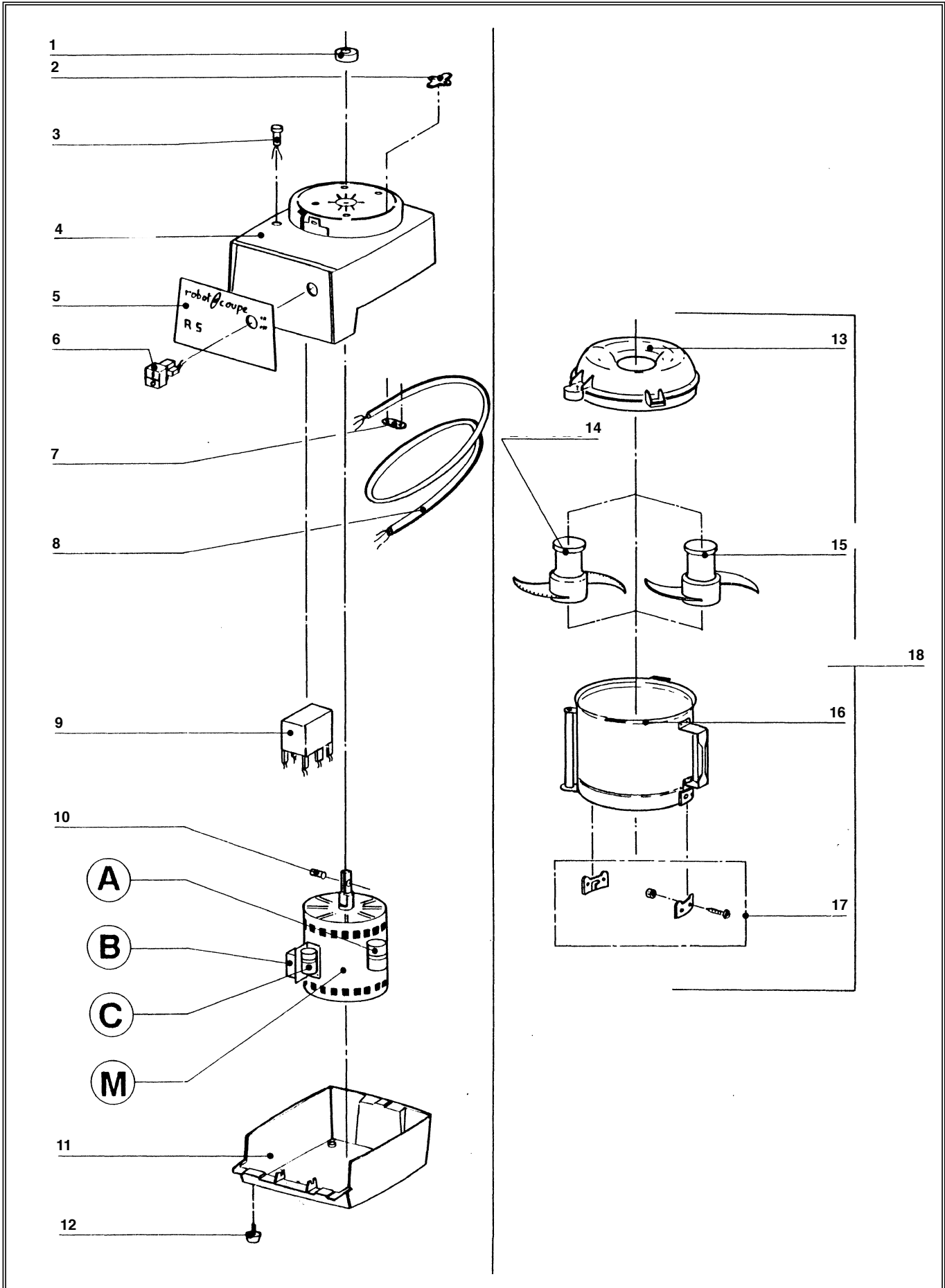
INDEX	REF.	DESIGNATION	Pricelist in : EUR
1	501624	R502/602 MOTOR SEAL	3,15
2	29238	R501U BOWL SHIM	6,20
3	29046	R5 REED SWITCH ASSEMBLY 415V	9,75
4	29104	MOTOR SUPPORT ASS	291,20
5	401042	R5 NAME PLATE	9,05
6	509091	ON/OFF SWITCH	60,10
7	515548	R501 SPEED CONTROL KNOB	15,70
8	108515	POWER CORD CLIP	0,15
9	515570	POWER CORD	29,95
10	110308	R501U SHAFT PIN MOTOR	2,00
11	29975	CIRCUIT BOARD	160,55
12	500247	R4 RUBBER FOOT	1,35
13	28611	R501 LID-CUTTING	74,80
14	27025	R501U BLADE ASSEMBLY-SERRATED	131,85
15	27024	R501U BLADE ASSEMBLY-FLAT	120,55
16	29148	R501U BOWL-STAINLESS STEEL	414,50
17	29101	R501Ua LOCK PLATE SMALL	12,40
18	27031	R501U BOWL CUTTER ATTACHMENT	507,80

**robot coupe®**

**R 5 tri**

**Pricelist in : EUR**

N°	M	Voltage	A	B	C	
24053	301019 900,45	220 / 60 / 3	28809 179,05	29309 52,30	510312 81,20	

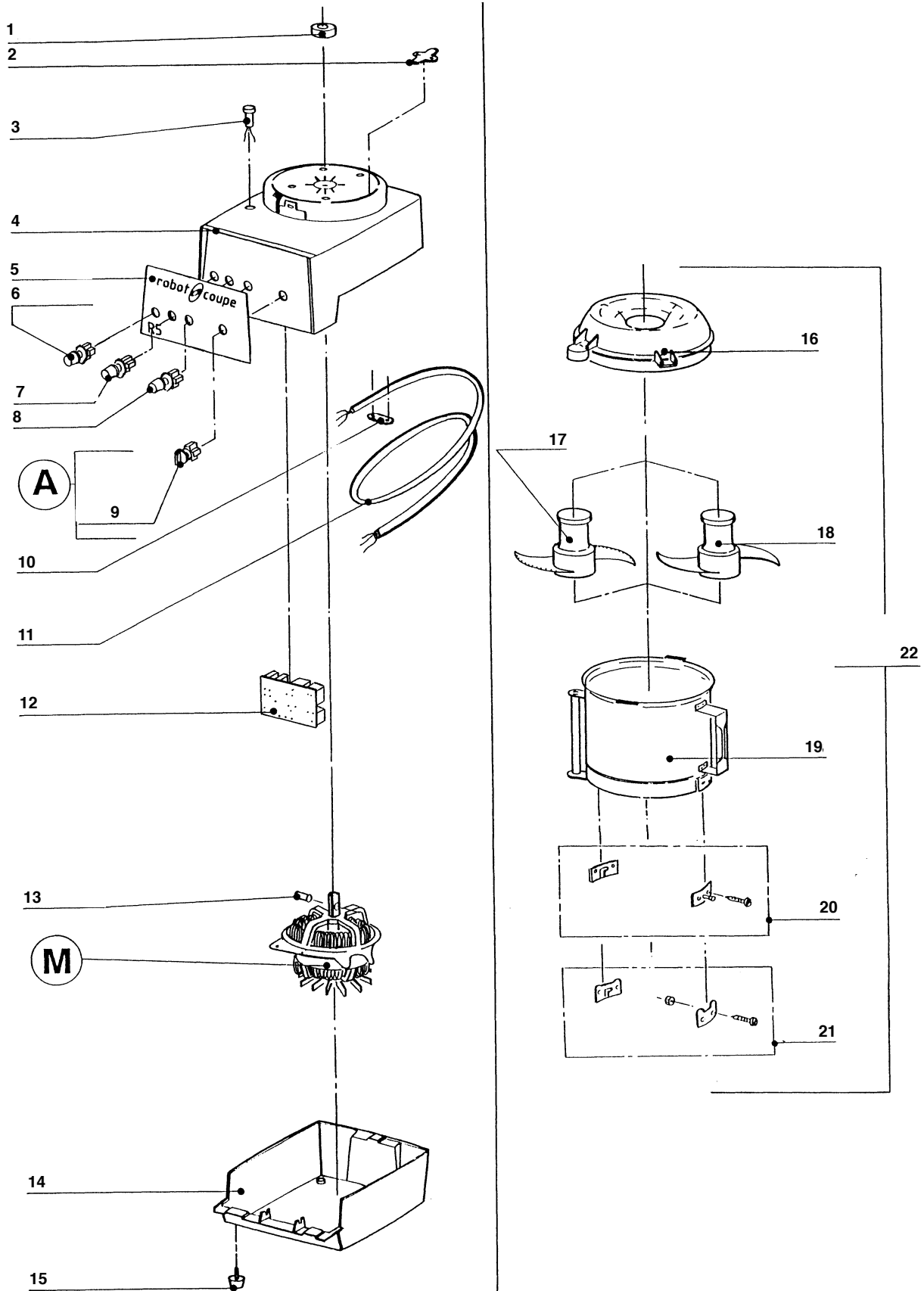




- (A)** C120 CAPACITOR-16MF 400V
- (B)**
- (C)** CAPACITOR
- (M)** MOTOR

INDEX	REF.	DESIGNATION	Pricelist in : EUR
1	501624	R502/602 MOTOR SEAL	3,15
2	29238	R501U BOWL SHIM	6,20
3	29048	R5 REED SWITCH ASSEMBLY 240V	9,30
4	29132	MOTOR SUPPORT ASS	291,20
5	401043	FRONT PLATE	9,05
6	509091	ON/OFF SWITCH	60,10
7	108515	POWER CORD CLIP	0,15
8	503118	POWER CABLE 2X0,75+EARTH	Contact us
9	509135	RELAY	48,45
10	110308	R501U SHAFT PIN MOTOR	2,00
11	29975	CIRCUIT BOARD	160,55
12	500247	R4 RUBBER FOOT	1,35
13	28611	R501 LID-CUTTING	74,80
14	27025	R501U BLADE ASSEMBLY-SERRATED	131,85
15	27024	R501U BLADE ASSEMBLY-FLAT	120,55
16	29148	R501U BOWL-STAINLESS STEEL	414,50
17	29101	R501Ua LOCK PLATE SMALL	12,40
18	27031	R501U BOWL CUTTER ATTACHMENT	507,80

N°	M	Voltage	A	B	C	
24054	301038 783,25	220-240 / 50 / 1	502473 154,15	514030 48,45	502474 30,05	
24055	301039 783,25	115 / 60 / 1	501915 28,75	592277 Contact us	505461 44,05	
24056	301011 861,40	220 / 60 / 1	508222 38,75	514030 48,45	600018 12,30	



**(A)** COMMUTATOR ASS

**(M)** MOTOR

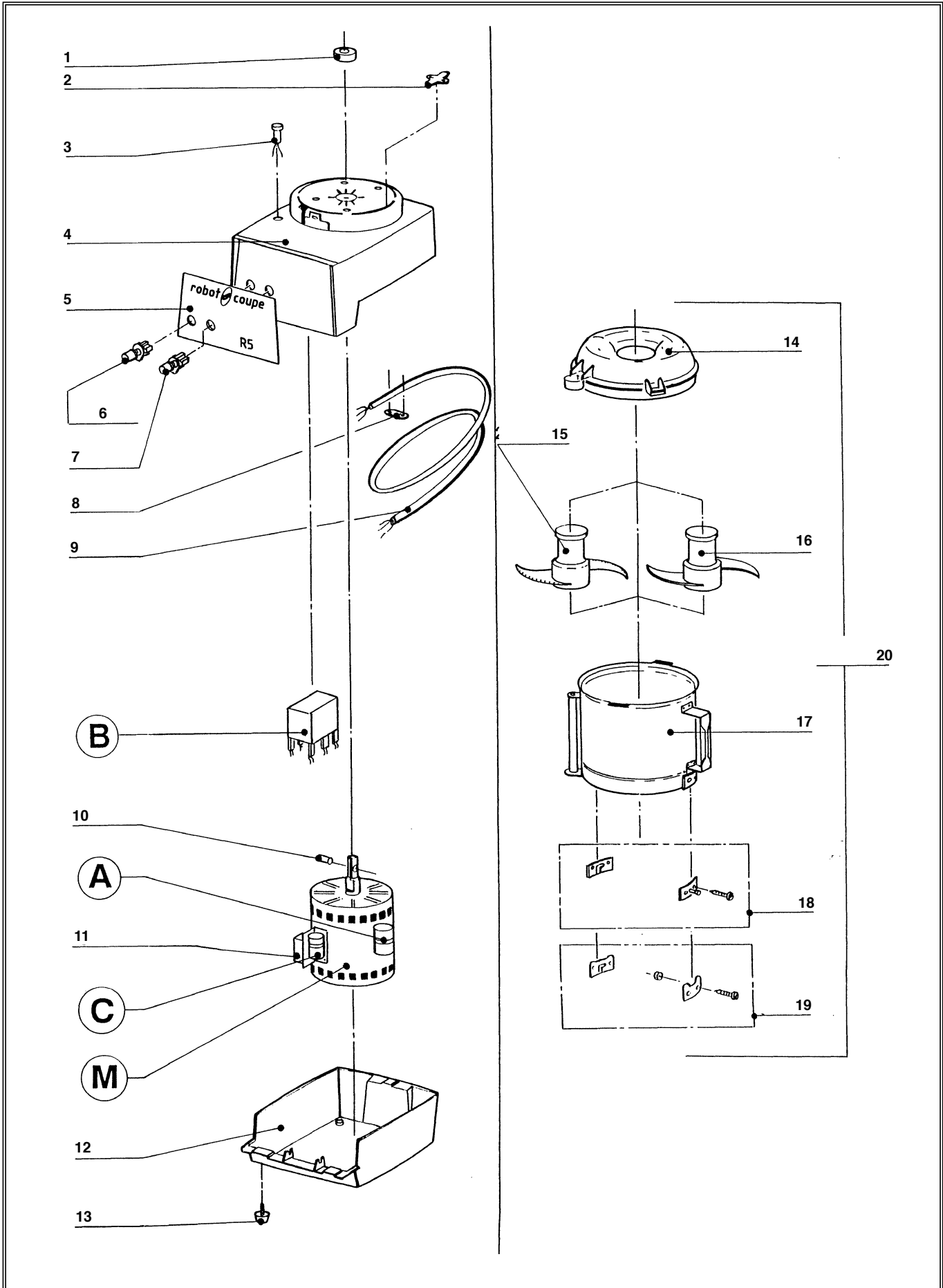
INDEX	REF.	DESIGNATION	Pricelist in : EUR
1	501624	R502/602 MOTOR SEAL	3,15
2	29238	R501U BOWL SHIM	6,20
3	29046	R5 REED SWITCH ASSEMBLY 415V	9,75
4	29284	MOTOR SUPPORT ASS	291,20
5	401328	FRONT PLATE	9,05
6	500322	GREEN KNOB	32,90
7	500321	RED KNOB	32,90
8	500301	BLACK KNOB	31,85
9	501842	R8 SWITCH HANDLE	11,75
10	108515	POWER CORD CLIP	0,15
11	515570	POWER CORD	29,95
12	39013	R501Ua PCB	179,15
13	110308	R501U SHAFT PIN MOTOR	2,00
14	29975	CIRCUIT BOARD	160,55
15	500247	R4 RUBBER FOOT	1,35
16	28611	R501 LID-CUTTING	74,80
17	27025	R501U BLADE ASSEMBLY-SERRATED	131,85
18	27024	R501U BLADE ASSEMBLY-FLAT	120,55
19	29148	R501U BOWL-STAINLESS STEEL	414,50
20	29315	R501Ua S/S BOWL LOCK PLATE LARGE	12,45
21	29101	R501Ua LOCK PLATE SMALL	12,40
22	27031	R501U BOWL CUTTER ATTACHMENT	507,80

**robot coupe**

**R 5 "A" tri**

**Pricelist in : EUR**

N°	M	Voltage	A	
24106	301016 1 006,05	220-380 / 50 / 3	501841 56,45	
24107	301043 900,60	380 / 50 / 3	501840 56,45	
24109	301047 900,45	220 / 60 / 3	501840 56,45	



- (A)** CONTINUOUS CAPACITOR
- (B)** 220V / 60 RELAY
- (C)** R501 CAPACITOR 80mF
- (M)** MOTOR

INDEX	REF.	DESIGNATION	Pricelist in : EUR
1	501624	R502/602 MOTOR SEAL	3,15
2	29238	R501U BOWL SHIM	6,20
3	29048	R5 REED SWITCH ASSEMBLY 240V	9,30
4	29313	MOTOR SUPPORT ASS	291,20
5	401329	FRONT PLATE	9,05
6	500322	GREEN KNOB	32,90
7	500321	RED KNOB	32,90
8	108515	POWER CORD CLIP	0,15
9	503118	POWER CABLE 2X0,75+EARTH	Contact us
10	110308	R501U SHAFT PIN MOTOR	2,00
11	514030	BLIXER 4 RELAY 2CR3 228	48,45
12	29975	CIRCUIT BOARD	160,55
13	500247	R4 RUBBER FOOT	1,35
14	28611	R501 LID-CUTTING	74,80
15	27025	R501U BLADE ASSEMBLY-SERRATED	131,85
16	27024	R501U BLADE ASSEMBLY-FLAT	120,55
17	29148	R501U BOWL-STAINLESS STEEL	414,50
18	29315	R501Ua S/S BOWL LOCK PLATE LARGE	12,45
19	29101	R501Ua LOCK PLATE SMALL	12,40
20	27031	R501U BOWL CUTTER ATTACHMENT	507,80

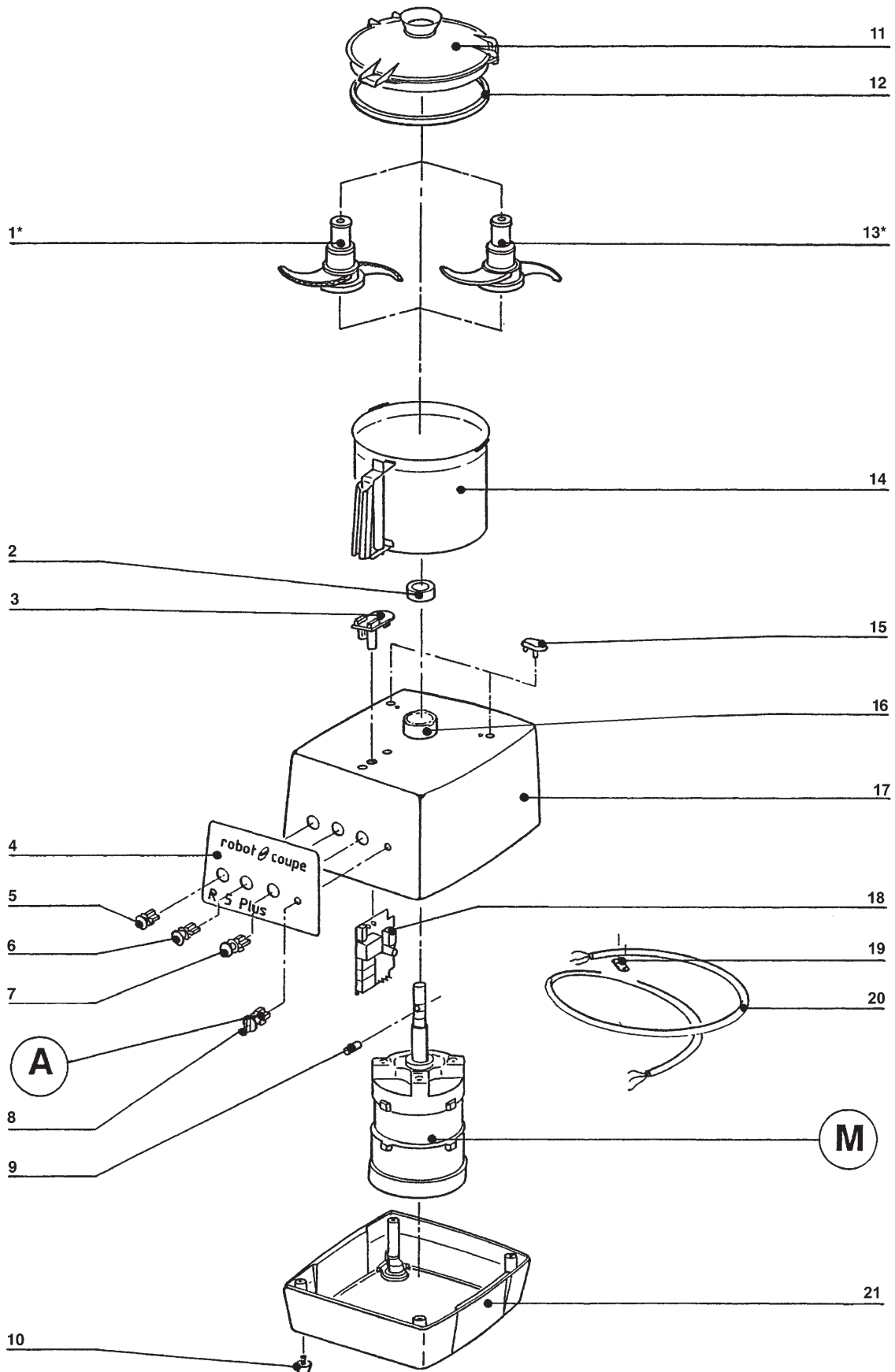
**robot coupe**

**R 5 "A" mono**

**Pricelist in : EUR**

N°	M	Voltage	A	B	C	
24110	301038 783,25	220-240 / 50 / 1	501914 28,75	509124 42,75	502474 30,05	
24111	301011 861,40	220 / 60 / 1	501915 28,75	500560 55,85	601140 8,45	





**(A)**

COMMUTATOR ASS

**(M)**

BLIXER 5 PLUS MOTOR 415V

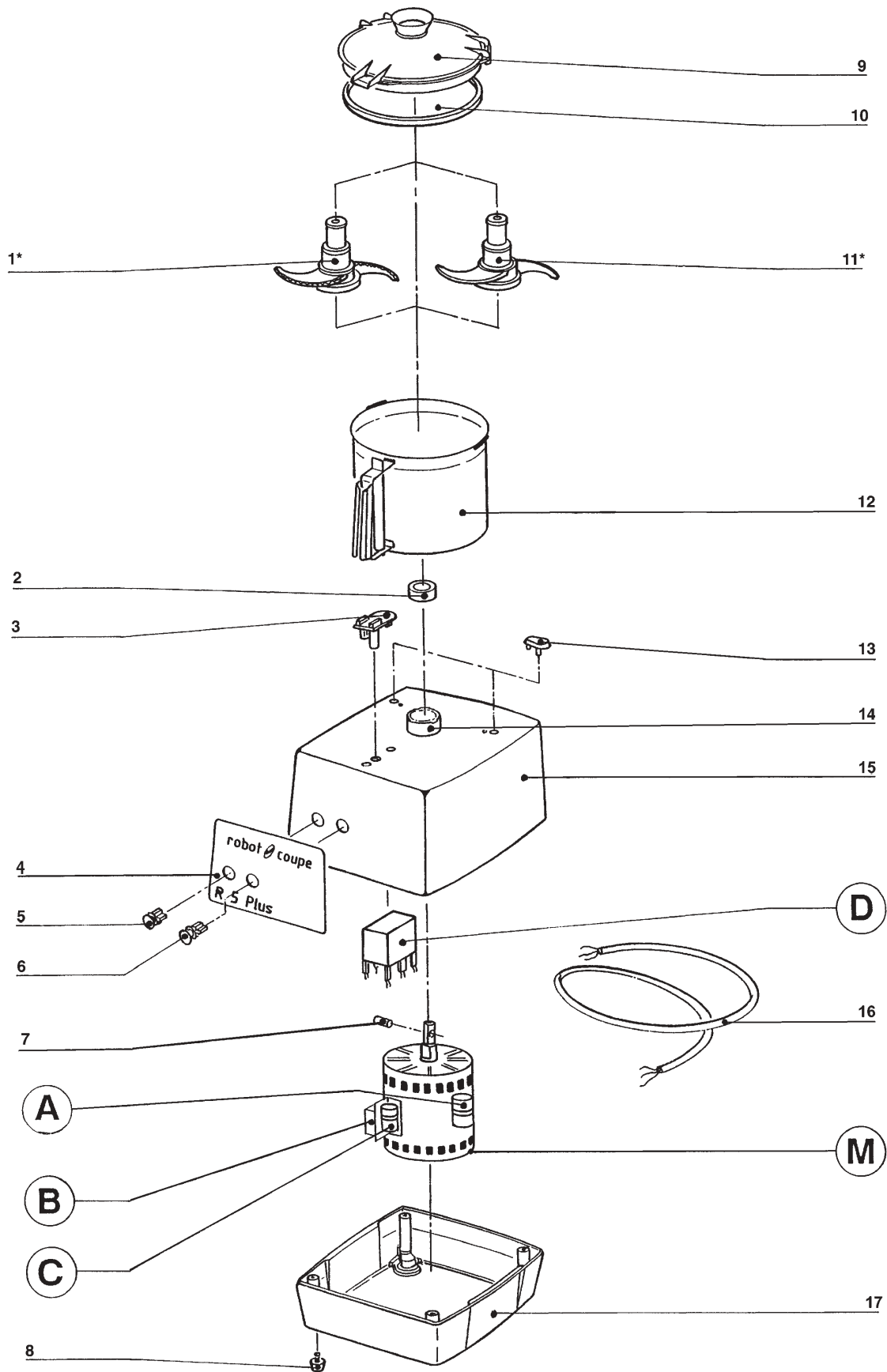
INDEX	REF.	DESIGNATION	Pricelist in : EUR
1	27121	R502 SERR BLADE ASSEMBLY	See Price list
2	501624	R502/602 MOTOR SEAL	3,15
3	29870	R2+/BX5+ CUT SWITCH ASSY	25,05
4	401547	R5 PLUS FRONT PLATE	9,05
5	502175	R502/602 BLACK SWITCH	31,85
6	502174	R502/602 GREEN SWITCH TOP	31,85
7	502173	R502/R602 RED SWITCH	31,85
8	117072	R302 PLUS/502 SPEED SWITCH HANDLE	7,70
9	110308	R501U SHAFT PIN MOTOR	2,00
10	101418	CL55 RUBBER FOOT	1,15
11	29341	R602VV LID CUTTING	74,80
12	117100	R502/602 LID SEAL	19,15
13	27120	R502 FLAT BLADE ASSEMBLY	See Price list
14	117106	R502 CUTTER BOWL	414,50
15	29336	R502/602 BOWL SUPPORT	16,35
16	39088	SOCKET SUPPORT SEAL ASSY	64,55
17	29350	MOTOR SUPPORT ASS	309,35
18	102099	R602/502 PCB 415V	130,25
19	108515	POWER CORD CLIP	0,15
20	502067	POWER CORD	29,95
21	29340	R502/602 BOTTOM CASE	180,15

**robot coupe®**

**R 5 Plus tri**

**Pricelist in : EUR**

N°	M	Voltage	A	
24135	303013 900,60	380 / 50 / 3	501840 56,45	
24137	303011 900,60	220 / 60 / 3	501840 56,45	
24138	303012 1 006,05	220/380 / 50 / 3	501841 56,45	
24151	301063 1 153,40	380 / 60 / 3	501840 56,45	



- (A)** CONTINUOUS CAPACITOR
- (B)** BLIXER 4 RELAY 2CR3 228
- (C)** R501 CAPACITOR 80mF
- (D)** 220V / 60 RELAY
- (M)** MOTOR

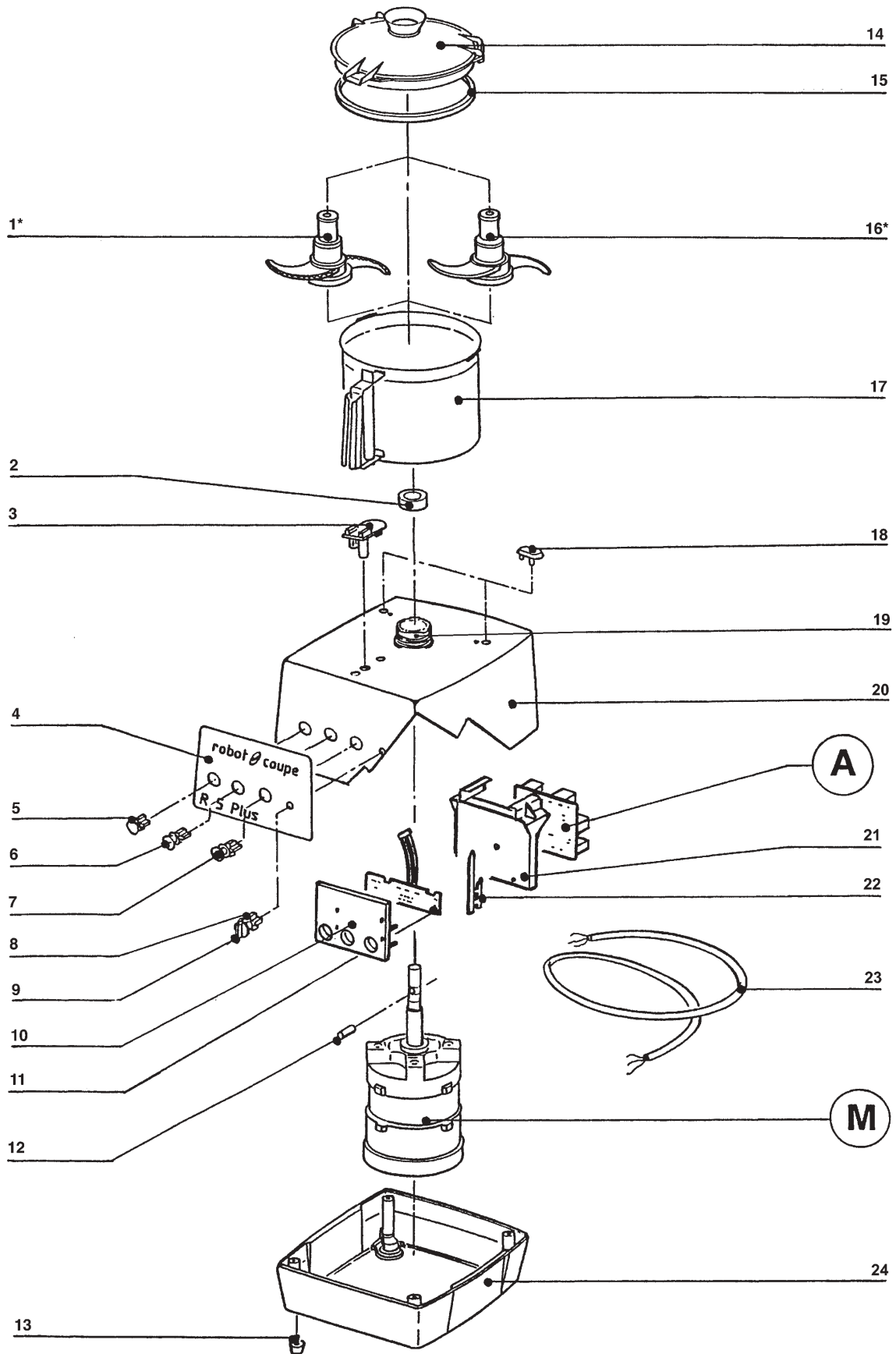
INDEX	REF.	DESIGNATION	Pricelist in : EUR
1	27121	R502 SERR BLADE ASSEMBLY	See Price list
2	501624	R502/602 MOTOR SEAL	3,15
3	117136	SAFETY SWITCH ASSY	25,05
4	401593	FRONT PLATE	9,05
5	502174	R502/602 GREEN SWITCH TOP	31,85
6	502173	R502/R602 RED SWITCH	31,85
7	110308	R501U SHAFT PIN MOTOR	2,00
8	101418	CL55 RUBBER FOOT	1,15
9	29341	R602VV LID CUTTING	74,80
10	117100	R502/602 LID SEAL	19,15
11	27120	R502 FLAT BLADE ASSEMBLY	See Price list
12	117106	R502 CUTTER BOWL	414,50
13	29336	R502/602 BOWL SUPPORT	16,35
14	39088	SOCKET SUPPORT SEAL ASSY	64,55
15	29361	MOTOR SUPPORT ASS	309,35
16	507320	POWER CORD	10,00
17	29340	R502/602 BOTTOM CASE	180,15

**robot coupe®**

**R 5 Plus mono**

**Pricelist in : EUR**

N°	M	Voltage	A	B	C	D	
24146	303021 874,25	220-240 / 50 / 1	501914 28,75	514030 48,45	502474 30,05	509124 42,75	
24147	303022 874,25	220 / 60 / 1	501915 28,75	514030 48,45	601140 8,45	500560 55,85	



(A)

R502A/R602A PCB

(M)

MOT R5A+/R6A 220/60

INDEX	REF.	DESIGNATION	Pricelist in : EUR
1	27121	R502 SERR BLADE ASSEMBLY	See Price list
2	501624	R502/602 MOTOR SEAL	3,15
3	29586	R502D/R602D REED SWITCH HOLDER	25,05
4	401547	R5 PLUS FRONT PLATE	9,05
5	502171	BLACK KNOB	12,45
6	502170	CL60 (D) GREEN LOW SPEED SWITCH TOP	12,45
7	502169	CL60 (D) RED SWITCH TOP	12,45
8	117792	R502A/602A SPEED SWITCH	7,70
9	117805	R502A/602A SPEED SWITCH HANDLE	7,70
10	29533	MOUNT SPACER FOR PCB	11,95
11	117813	BLIXER 5 PLUS SWITCH CONTROL PCB 415V	21,65
12	110308	R501U SHAFT PIN MOTOR	2,00
13	101418	CL55 RUBBER FOOT	1,15
14	29341	R602VV LID CUTTING	74,80
15	117100	R502/602 LID SEAL	19,15
16	27120	R502 FLAT BLADE ASSEMBLY	See Price list
17	117106	R502 CUTTER BOWL	414,50
18	29336	R502/602 BOWL SUPPORT	16,35
19	39088	SOCKET SUPPORT SEAL ASSY	64,55
20	29350	MOTOR SUPPORT ASS	309,35
21	117809	R502 PCB MOUNTING	5,10
22	117703	R301U (C) PCB KEY	0,55
23	515570	POWER CORD	29,95
24	29620	R502A/R602A BOTTOM CASE PLASTIC	91,90

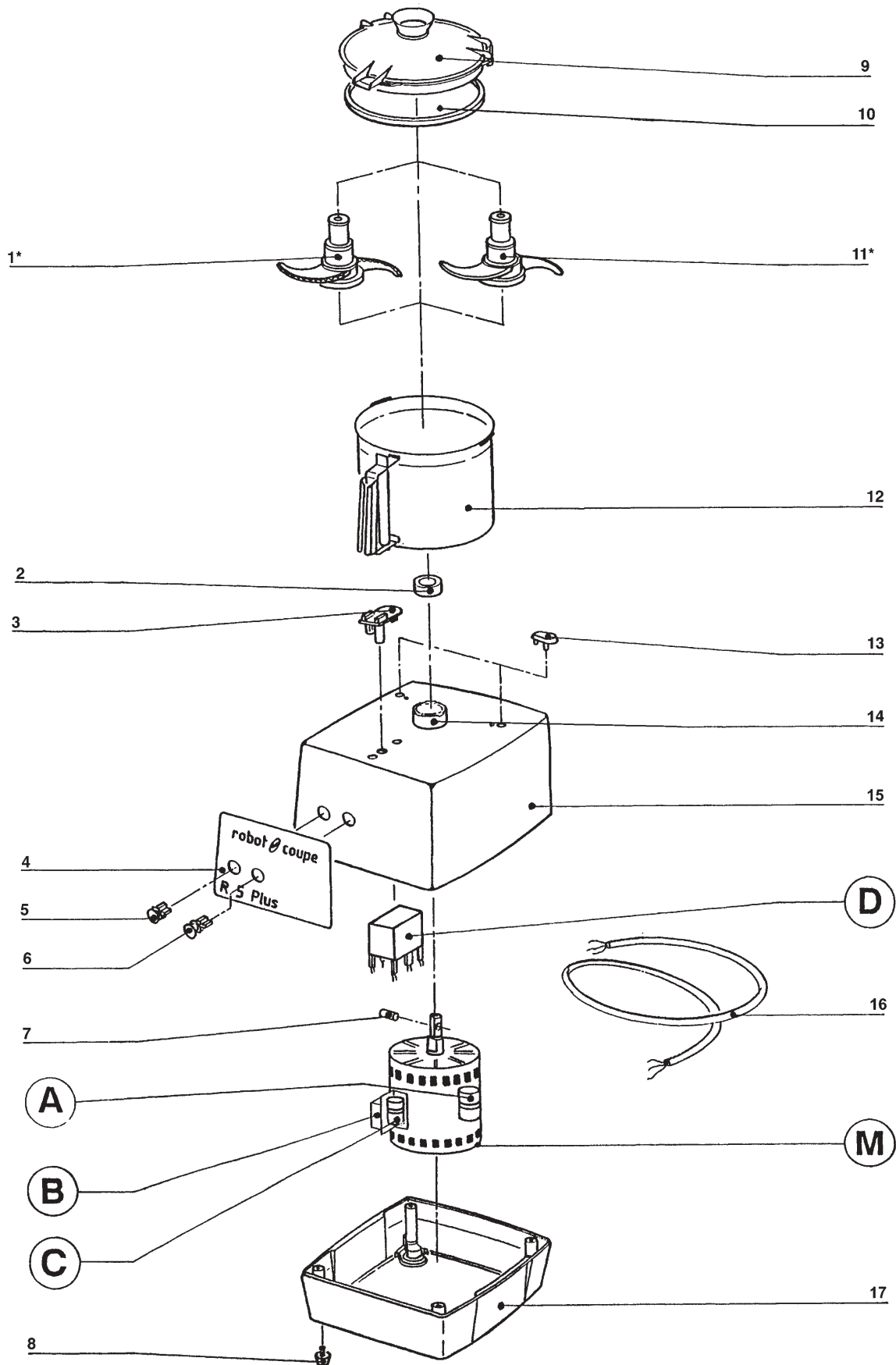


**robot coupe®**

**R 5 "A" Plus tri**

**Pricelist in : EUR**

N°	M	Voltage	A	
24309	303048 900,60	380 / 50 / 3	102600 130,25	
24311	303058 900,60	220 / 60 / 3	102600 130,25	
24312	303114 943,00	230-400 / 50 / 3	112600 133,15	
24313	303060 900,60	380 / 60 / 3	102600 130,25	



- (A)** 25MF 400V CAPACITOR
- (B)** BLIXER 4 RELAY 2CR3 228
- (C)** 120MF 250V CAPACITOR
- (D)** 220V / 60 RELAY
- (M)** BLIXER 4 MOTOR 240V 50HZ

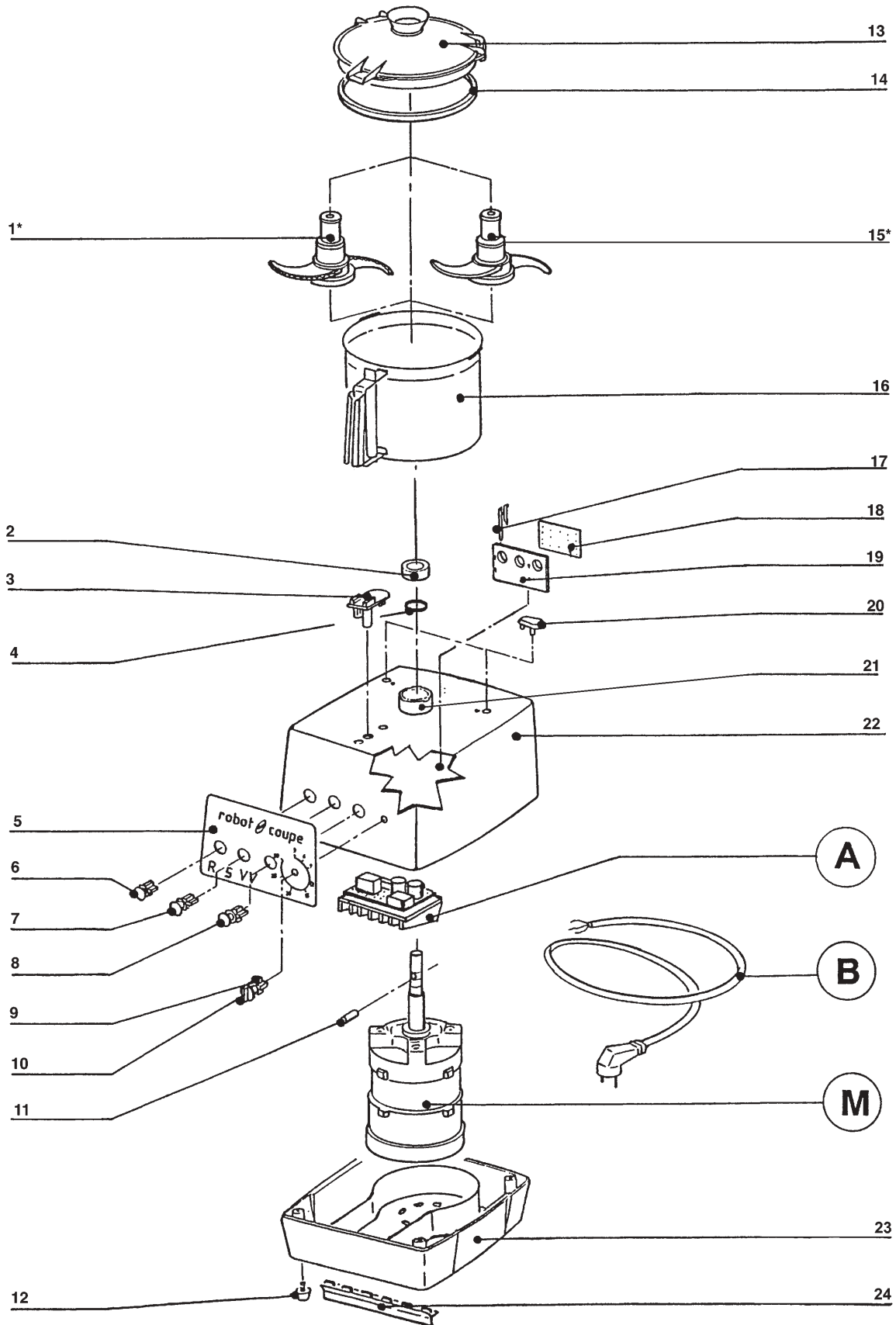
INDEX	REF.	DESIGNATION	Pricelist in : EUR
1	27121	R502 SERR BLADE ASSEMBLY	See Price list
2	501624	R502/602 MOTOR SEAL	3,15
3	117136	SAFETY SWITCH ASSY	25,05
4	401593	FRONT PLATE	9,05
5	502174	R502/602 GREEN SWITCH TOP	31,85
6	502173	R502/R602 RED SWITCH	31,85
7	110308	R501U SHAFT PIN MOTOR	2,00
8	101418	CL55 RUBBER FOOT	1,15
9	29341	R602VV LID CUTTING	74,80
10	117100	R502/602 LID SEAL	19,15
11	27120	R502 FLAT BLADE ASSEMBLY	See Price list
12	117106	R502 CUTTER BOWL	414,50
13	29336	R502/602 BOWL SUPPORT	16,35
14	39088	SOCKET SUPPORT SEAL ASSY	64,55
15	29361	MOTOR SUPPORT ASS	309,35
16	507320	POWER CORD	10,00
17	29620	R502A/R602A BOTTOM CASE PLASTIC	91,90

**robot coupe**

**R 5 "A" Plus mono**

Pricelist in : EUR

N°	M	Voltage	A	B	C	D	
24323	301021 383,30	220-240 / 50 / 1	510212 35,85	514030 48,45	510211 37,80	509124 42,75	
24324	301022 383,30	220 / 60 / 1	501915 28,75	514030 48,45	601140 8,45	500560 55,85	



- (A)** 230/50-60/1 VARIATOR WITH FILTER
- (B)** POWER CORD
- (M)** R602VV MOTOR 240V 50HZ

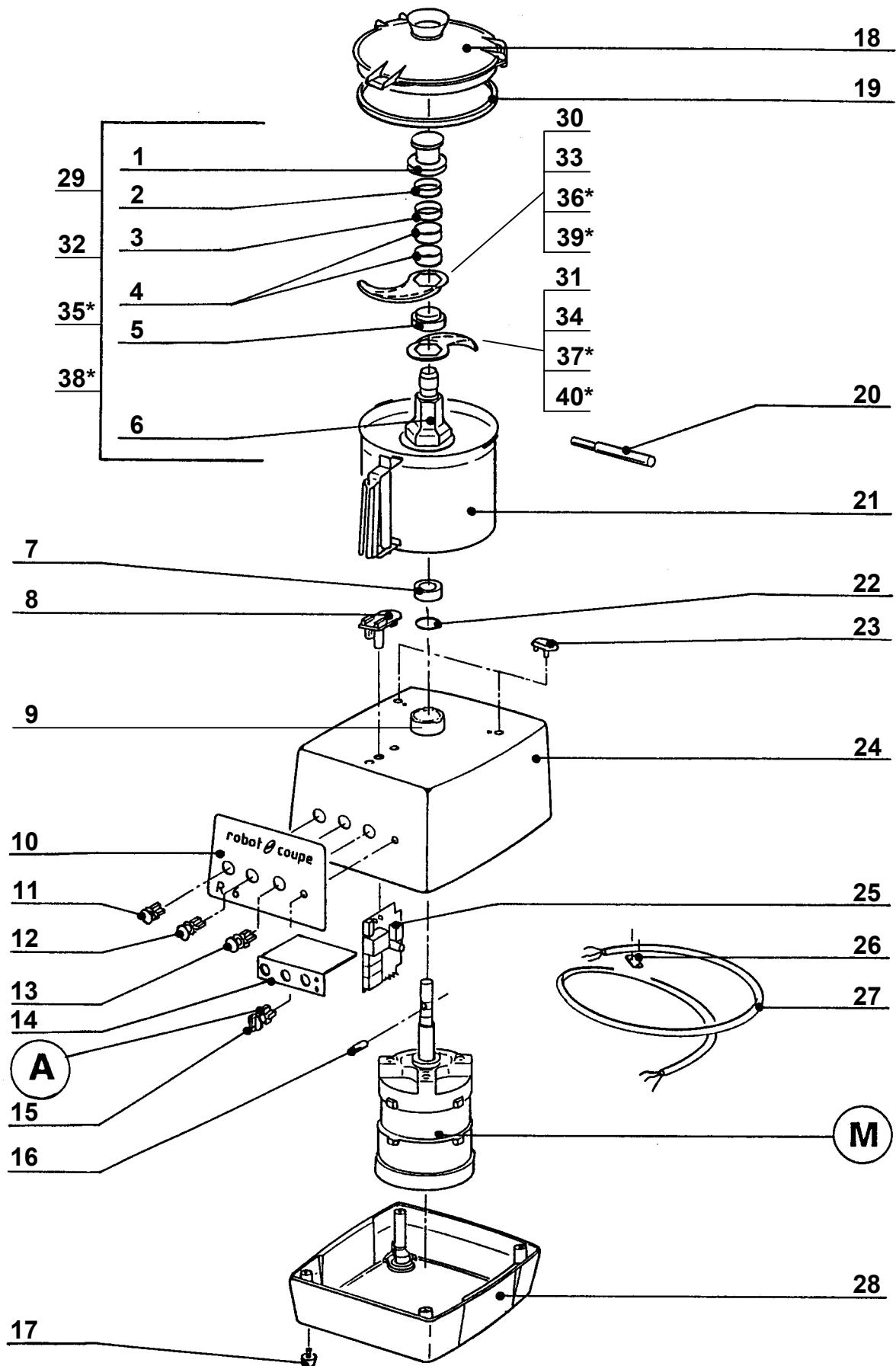
INDEX	REF.	DESIGNATION	Pricelist in : EUR
1	27121	R502 SERR BLADE ASSEMBLY	See Price list
2	501624	R502/602 MOTOR SEAL	3,15
3	29586	R502D/R602D REED SWITCH HOLDER	25,05
4	502670	SEAL	0,50
5	406279	R5 VVA FRONT PLATE	9,05
6	502171	BLACK KNOB	12,45
7	502170	CL60 (D) GREEN LOW SPEED SWITCH TOP	12,45
8	502169	CL60 (D) RED SWITCH TOP	12,45
9	501947	R602VV SPEED SWITCH BLOCK	55,45
10	117073	R602VV SWITCH HANDLE	7,70
11	110308	R501U SHAFT PIN MOTOR	2,00
12	101418	CL55 RUBBER FOOT	1,15
13	29341	R602VV LID CUTTING	74,80
14	117100	R502/602 LID SEAL	19,15
15	27120	R502 FLAT BLADE ASSEMBLY	See Price list
16	117106	R502 CUTTER BOWL	414,50
17	117703	R301U (C) PCB KEY	0,55
18	117706	R602 V.V. SWITCHES BOARD	12,10
19	29533	MOUNT SPACER FOR PCB	11,95
20	29336	R502/602 BOWL SUPPORT	16,35
21	39088	SOCKET SUPPORT SEAL ASSY	64,55
22	29595	MOTOR SUPPORT ASS	423,25
23	29581	R602VVA BOTTOM CASE PLASTIC	101,90
24	117705	R602VV AIR FLOW SEPERATOR	10,65

**robot coupe®**

**R 5 V.V. A**

**Pricelist in : EUR**

N°	M	Voltage	A	B	
24336	303009 798,55	230 / 50-60 / 1	117710 694,35	503125 15,80	





**(A)**

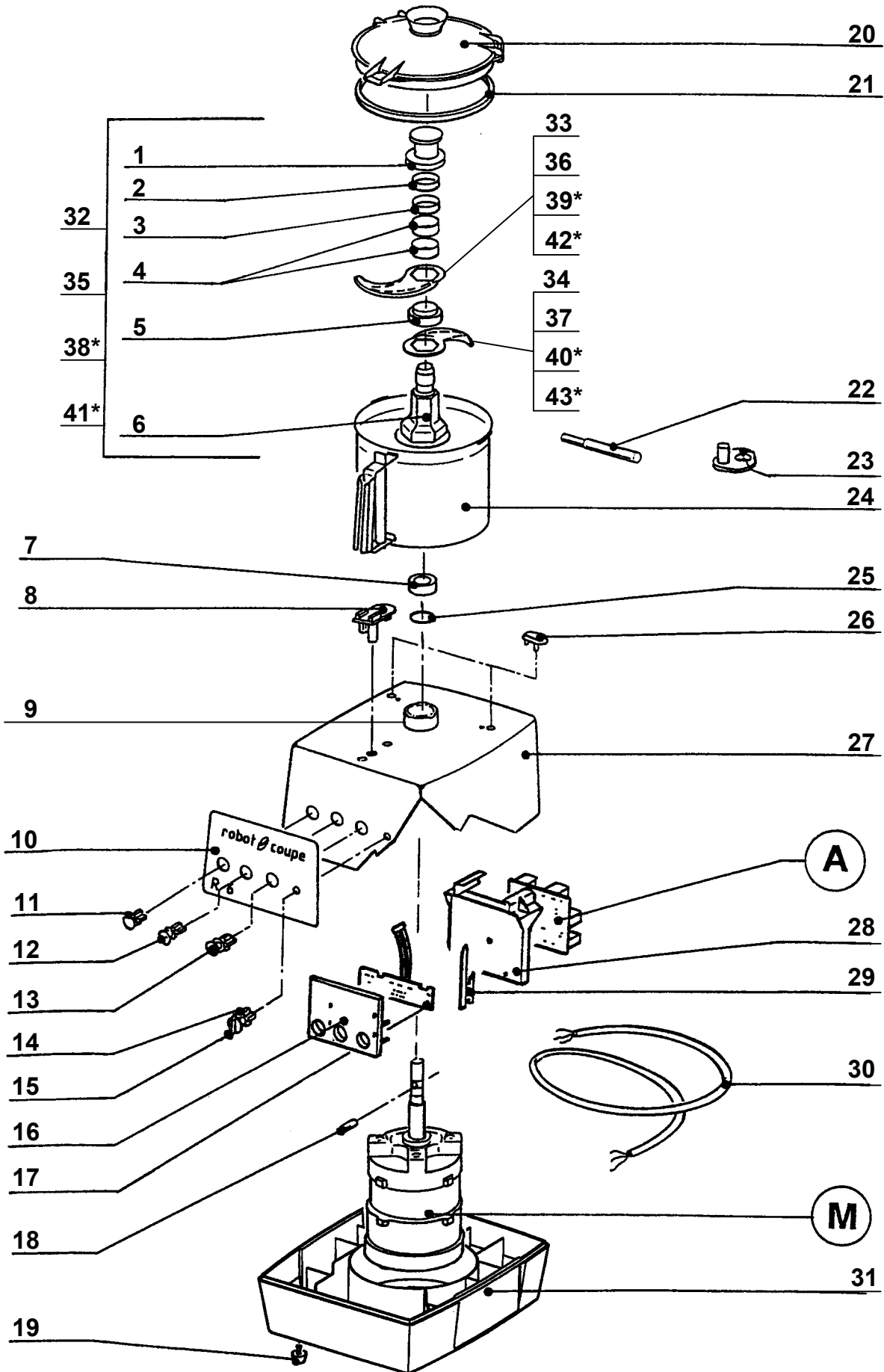
COMMUTATOR ASS

**(M)**

BLIXER 5 PLUS MOTOR 415V

INDEX	REF.	DESIGNATION	Pricelist in : EUR
1	102073	R602/VV BLADE CAP	52,15
2	117031	R602/VV 5MM BLADE SPACER PLASTIC	9,20
3	103903	SELAING SOCKET WASHER	2,25
4	117030	R602/VV 15MM BLADE SPACER S/S	14,40
5	117029	R602/VV BLADE SHAFT LOWER SPACER	32,60
6	102071	R602/VV BLADE SHAFT	114,00
7	501624	R502/602 MOTOR SEAL	3,15
8	29870	R2+/BX5+ CUT SWITCH ASSY	25,05
9	39088	SOCKET SUPPORT SEAL ASSY	64,55
10	401548	R6 FRONT PLATE	9,05
11	502175	R502/602 BLACK SWITCH	31,85
12	502174	R502/602 GREEN SWITCH TOP	31,85
13	502173	R502/R602 RED SWITCH	31,85
14	117528	MYLAR PROTEC.	1,50
15	117072	R302 PLUS/502 SPEED SWITCH HANDLE	7,70
16	110308	R501U SHAFT PIN MOTOR	2,00
17	101418	CL55 RUBBER FOOT	1,15
18	29341	R602VV LID CUTTING	74,80
19	117100	R502/602 LID SEAL	19,15
20	101845	R602/VV BLADE TOOL	6,15
21	117107	R602 CUTTER BOWL	466,60
22	502670	SEAL	0,50
23	29336	R502/602 BOWL SUPPORT	16,35
24	29351	MOTOR SUPPORT ASS	309,35
25	102099	R602/502 PCB 415V	130,25
26	108515	POWER CORD CLIP	0,15
27	502067	POWER CORD	29,95
28	29340	R502/602 BOTTOM CASE	180,15
29	27123	SERRATED BLADE KNIFE D	Contact us
30	117037	BLADE UPPER	Contact us
31	117036	BLADE LOWER	Contact us
32	27122	STRAIGHT BLADE KNIFE D	Contact us
33	117039	BLADE UPPER	Contact us
34	117038	BLADE LOWER	Contact us
35	27125	R602/602VV SERR BLADE ASSEMBLY	See Price list
36	117033	R602/VV FLAT BLADE UPPER	See Price list
37	117032	R602/VV FLAT BLADE LOWER	See Price list
38	27124	R602/602VV BLADE ASSEMBLY FLAT	See Price list
39	117035	R602VV SERR BLADE UPPER	See Price list
40	117034	R602VV SERR BLADE LOWER	See Price list

N°	M	Voltage	A	
24139	303013 900,60	380 / 50 / 3	501840 56,45	
24141	303011 900,60	220 / 60 / 3	501840 56,45	
24142	303012 1 006,05	220/380 / 50 / 3	501841 56,45	



**(A)** R502A/R602A PCB

**(M)** R5+A 230/400V/50 MOTOR

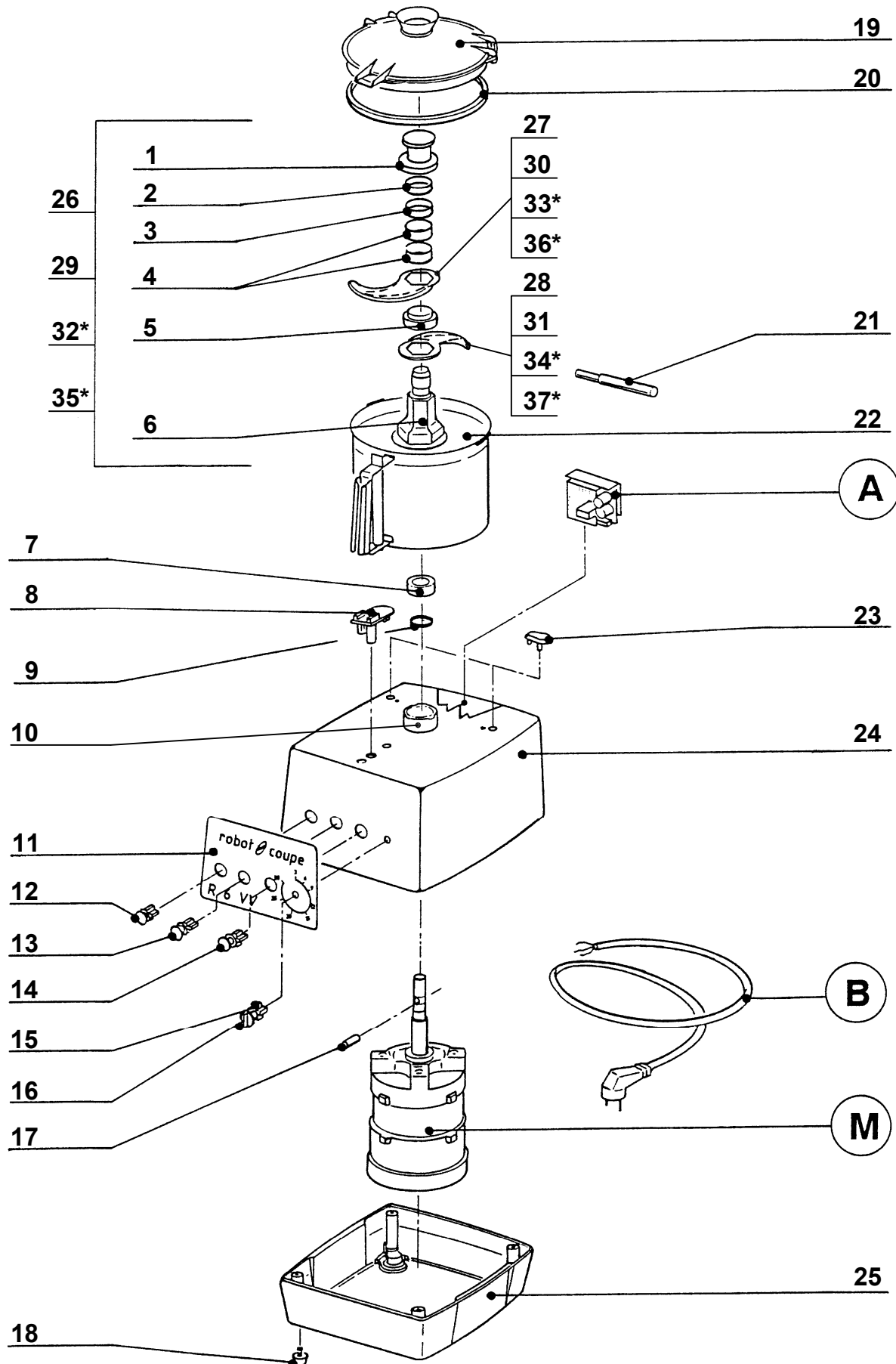
INDEX	REF.	DESIGNATION	Pricelist in : EUR
1	102073	R602/VV BLADE CAP	52,15
2	117031	R602/VV 5MM BLADE SPACER PLASTIC	9,20
3	103903	SELAING SOCKET WASHER	2,25
4	117030	R602/VV 15MM BLADE SPACER S/S	14,40
5	117029	R602/VV BLADE SHAFT LOWER SPACER	32,60
6	102071	R602/VV BLADE SHAFT	114,00
7	501624	R502/602 MOTOR SEAL	3,15
8	29586	R502D/R602D REED SWITCH HOLDER	25,05
9	39088	SOCKET SUPPORT SEAL ASSY	64,55
10	401548	R6 FRONT PLATE	9,05
11	502171	BLACK KNOB	12,45
12	502170	CL60 (D) GREEN LOW SPEED SWITCH TOP	12,45
13	502169	CL60 (D) RED SWITCH TOP	12,45
14	117792	R502A/602A SPEED SWITCH	7,70
15	117805	R502A/602A SPEED SWITCH HANDLE	7,70
16	29533	MOUNT SPACER FOR PCB	11,95
17	117813	BLIXER 5 PLUS SWITCH CONTROL PCB 415V	21,65
18	110308	R501U SHAFT PIN MOTOR	2,00
19	101418	CL55 RUBBER FOOT	1,15
20	29341	R602/VV LID CUTTING	74,80
21	117100	R502/602 LID SEAL	19,15
22	101845	R602/VV BLADE TOOL	6,15
23	117320	BLADE DISMANTLING TOOL	2,60
24	117107	R602 CUTTER BOWL	466,60
25	502670	SEAL	0,50
26	29336	R502/602 BOWL SUPPORT	16,35
27	29351	MOTOR SUPPORT ASS	309,35
28	117809	R502 PCB MOUNTING	5,10
29	117703	R301U (C) PCB KEY	0,55
30	515570	POWER CORD	29,95
31	29620	R502A/R602A BOTTOM CASE PLASTIC	91,90
32	27122	STRAIGHT BLADE KNIFE D	Contact us
33	117037	BLADE UPPER	Contact us
34	117036	BLADE LOWER	Contact us
35	27123	SERRATED BLADE KNIFE D	Contact us
36	117039	BLADE UPPER	Contact us
37	117038	BLADE LOWER	Contact us
38	27124	R602/602VV BLADE ASSEMBLY FLAT	See Price list
39	117033	R602/VV FLAT BLADE UPPER	See Price list
40	117032	R602/VV FLAT BLADE LOWER	See Price list
41	27125	R602/602VV SERR BLADE ASSEMBLY	See Price list
42	117035	R602VV SERR BLADE UPPER	See Price list
43	117034	R602VV SERR BLADE LOWER	See Price list

**robot coupe®**

**R 6 A**

**Pricelist in : EUR**

N°	M	Voltage	A	
24314	303048 900,60	380 / 50 / 3	102600 130,25	
24316	303058 900,60	220 / 60 / 3	102600 130,25	
24317	303114 943,00	230/400 / 50 / 3	112600 133,15	



- (A)** R602VV MOTOR 240V 50HZ
- (B)** 3X1,5² UK POWER CORD
- (M)** R602VV MOTOR 240V 50HZ

INDEX	REF.	DESIGNATION	Pricelist in : EUR
1	102073	R602/VV BLADE CAP	52,15
2	117031	R602/VV 5MM BLADE SPACER PLASTIC	9,20
3	103903	SELAING SOCKET WASHER	2,25
4	117030	R602/VV 15MM BLADE SPACER S/S	14,40
5	117029	R602/VV BLADE SHAFT LOWER SPACER	32,60
6	102071	R602/VV BLADE SHAFT	114,00
7	501624	R502/602 MOTOR SEAL	3,15
8	29870	R2+/BX5+ CUT SWITCH ASSY	25,05
9	502670	SEAL	0,50
10	39088	SOCKET SUPPORT SEAL ASSY	64,55
11	401548	R6 FRONT PLATE	9,05
12	502175	R502/602 BLACK SWITCH	31,85
13	502174	R502/602 GREEN SWITCH TOP	31,85
14	502173	R502/R602 RED SWITCH	31,85
15	501947	R602VV SPEED SWITCH BLOCK	55,45
16	117073	R602VV SWITCH HANDLE	7,70
17	110308	R501U SHAFT PIN MOTOR	2,00
18	101418	CL55 RUBBER FOOT	1,15
19	29341	R602VV LID CUTTING	74,80
20	117100	R502/602 LID SEAL	19,15
21	101845	R602/VV BLADE TOOL	6,15
22	117107	R602 CUTTER BOWL	466,60
23	29336	R502/602 BOWL SUPPORT	16,35
24	29353	MOTOR SUPPORT ASS	423,25
25	29352	BASE ASS	243,15
26	27122	STRAIGHT BLADE KNIFE D	Contact us
27	117037	BLADE UPPER	Contact us
28	117036	BLADE LOWER	Contact us
29	27123	SERRATED BLADE KNIFE D	Contact us
30	117039	BLADE UPPER	Contact us
31	117038	BLADE LOWER	Contact us
32	27124	R602/602VV BLADE ASSEMBLY FLAT	See Price list
33	117033	R602/VV FLAT BLADE UPPER	See Price list
34	117032	R602/VV FLAT BLADE LOWER	See Price list
35	27125	R602/602VV SERR BLADE ASSEMBLY	See Price list
36	117035	R602VV SERR BLADE UPPER	See Price list
37	117034	R602VV SERR BLADE LOWER	See Price list

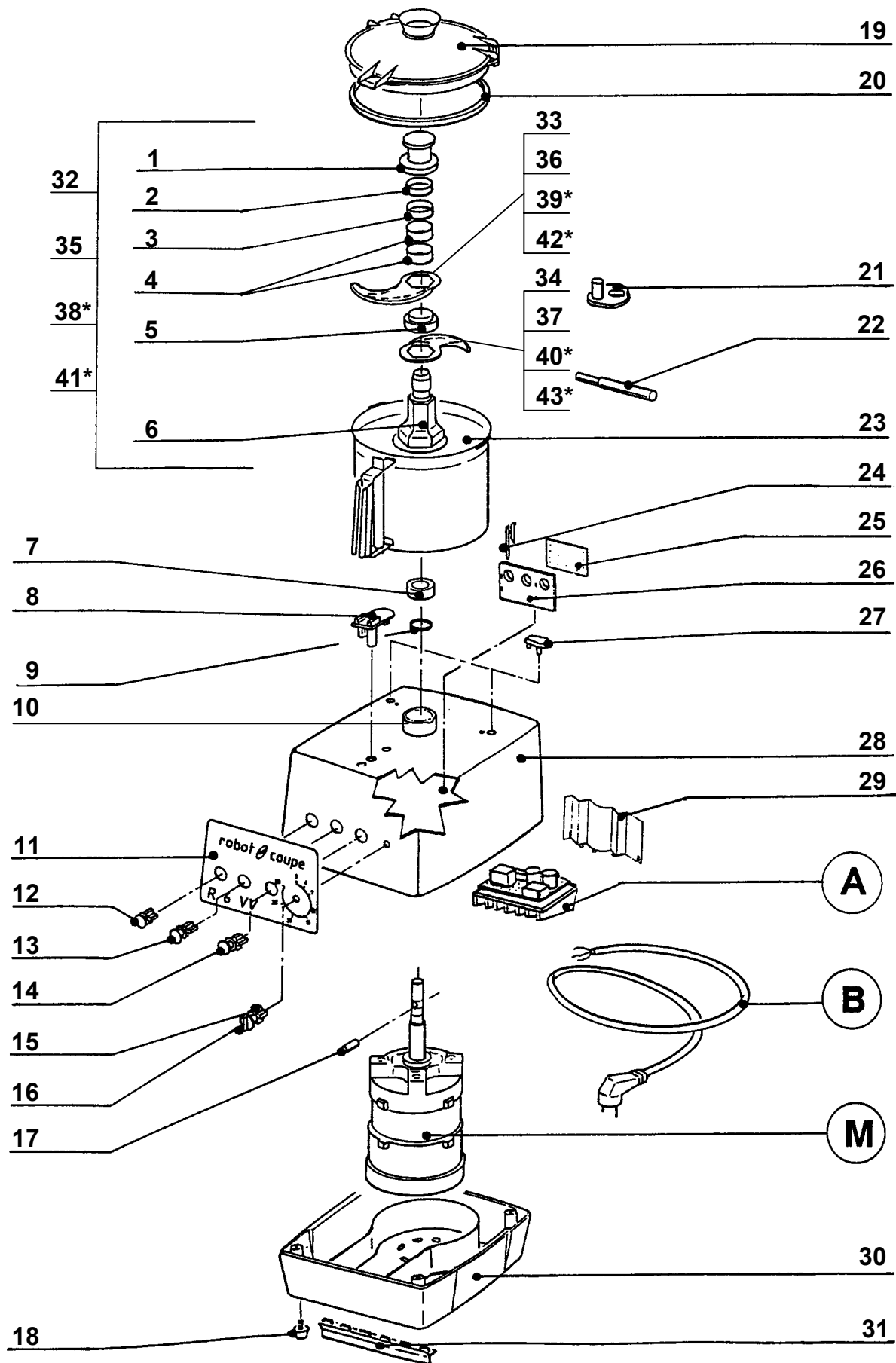
**robot coupe®**

**R 6 V.V.**

**Pricelist in : EUR**

N°	M	Voltage	A	B	
24143	303009 798,55	220-240 / 50 / 1	117590 694,35	502688 12,10	





- (A)** 200/50/1 VARIATOR WITHOUT FILTER
- (B)** POWER CORD
- (M)** R602VV MOTOR 240V 50HZ

INDEX	REF.	DESIGNATION	Pricelist in : EUR
1	102073	R602/VV BLADE CAP	52,15
2	117031	R602/VV 5MM BLADE SPACER PLASTIC	9,20
3	103903	SELAING SOCKET WASHER	2,25
4	117030	R602/VV 15MM BLADE SPACER S/S	14,40
5	117029	R602/VV BLADE SHAFT LOWER SPACER	32,60
6	102071	R602/VV BLADE SHAFT	114,00
7	501624	R502/602 MOTOR SEAL	3,15
8	29586	R502D/R602D REED SWITCH HOLDER	25,05
9	502670	SEAL	0,50
10	39088	SOCKET SUPPORT SEAL ASSY	64,55
11	401565	R6 V.V. FRONT PLATE	9,05
12	502171	BLACK KNOB	12,45
13	502170	CL60 (D) GREEN LOW SPEED SWITCH TOP	12,45
14	502169	CL60 (D) RED SWITCH TOP	12,45
15	501947	R602VV SPEED SWITCH BLOCK	55,45
16	117073	R602VV SWITCH HANDLE	7,70
17	110308	R501U SHAFT PIN MOTOR	2,00
18	101418	CL55 RUBBER FOOT	1,15
19	29341	R602VV LID CUTTING	74,80
20	117100	R502/602 LID SEAL	19,15
21	117320	BLADE DISMANTLING TOOL	2,60
22	101845	R602/VV BLADE TOOL	6,15
23	117107	R602 CUTTER BOWL	466,60
24	117703	R301U (C) PCB KEY	0,55
25	117706	R602 V.V. SWITCHES BOARD	12,10
26	29533	MOUNT SPACER FOR PCB	11,95
27	29336	R502/602 BOWL SUPPORT	16,35
28	29583	R6VV (A) TOP CASING	423,25
29	118590	R502/602 VVA 144R BASE	21,10
30	29581	R602VVA BOTTOM CASE PLASTIC	101,90
31	117705	R602VV AIR FLOW SEPERATOR	10,65
32	27122	STRAIGHT BLADE KNIFE D	Contact us
33	117037	BLADE UPPER	Contact us
34	117036	BLADE LOWER	Contact us
35	27123	SERRATED BLADE KNIFE D	Contact us
36	117039	BLADE UPPER	Contact us
37	117038	BLADE LOWER	Contact us
38	27124	R602/602VV BLADE ASSEMBLY FLAT	See Price list
39	117033	R602/VV FLAT BLADE UPPER	See Price list
40	117032	R602/VV FLAT BLADE LOWER	See Price list
41	27125	R602/602VV SERR BLADE ASSEMBLY	See Price list
42	117035	R602VV SERR BLADE UPPER	See Price list
43	117034	R602VV SERR BLADE LOWER	See Price list

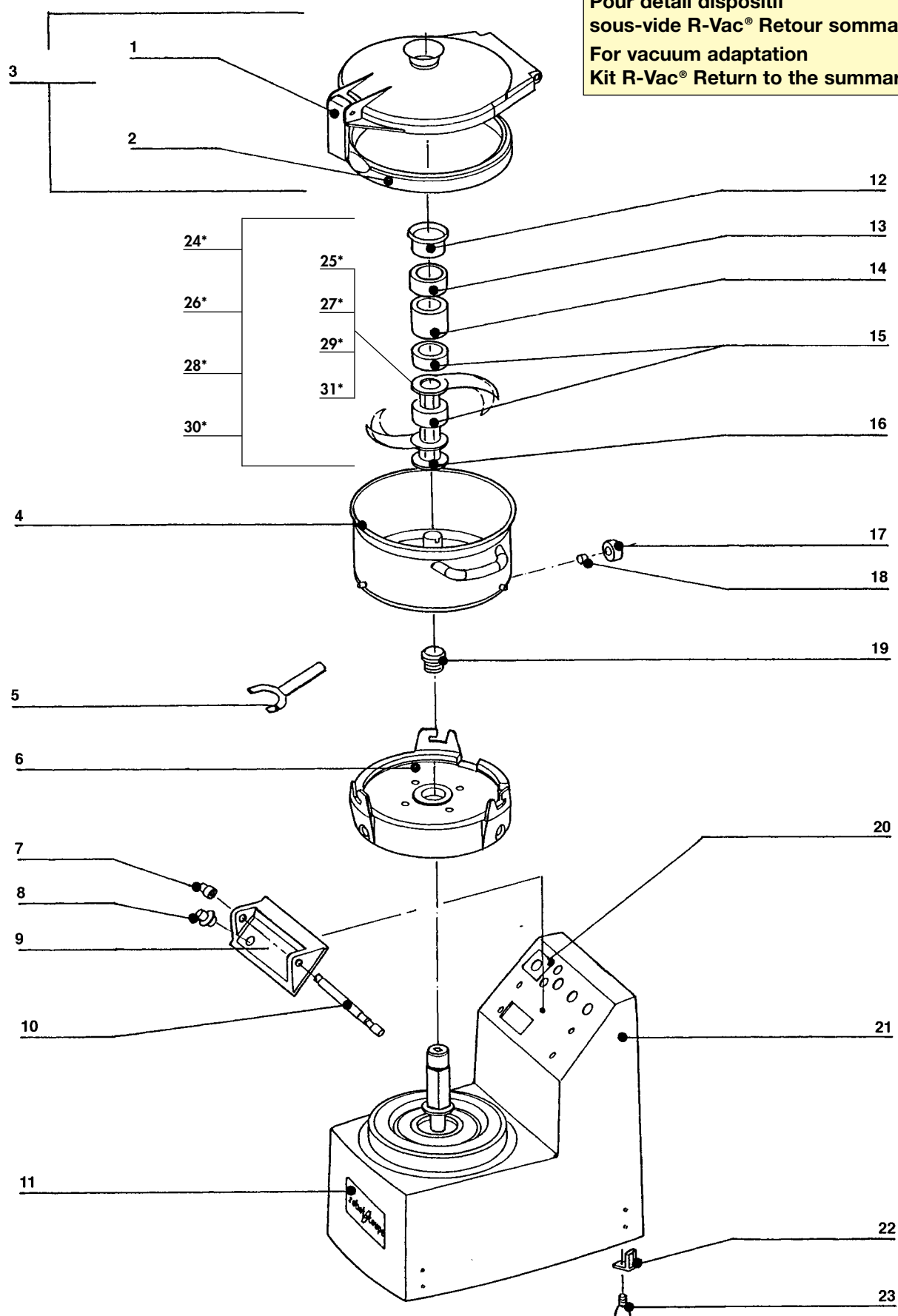
**robot coupe**

**R 6 V.V. A**

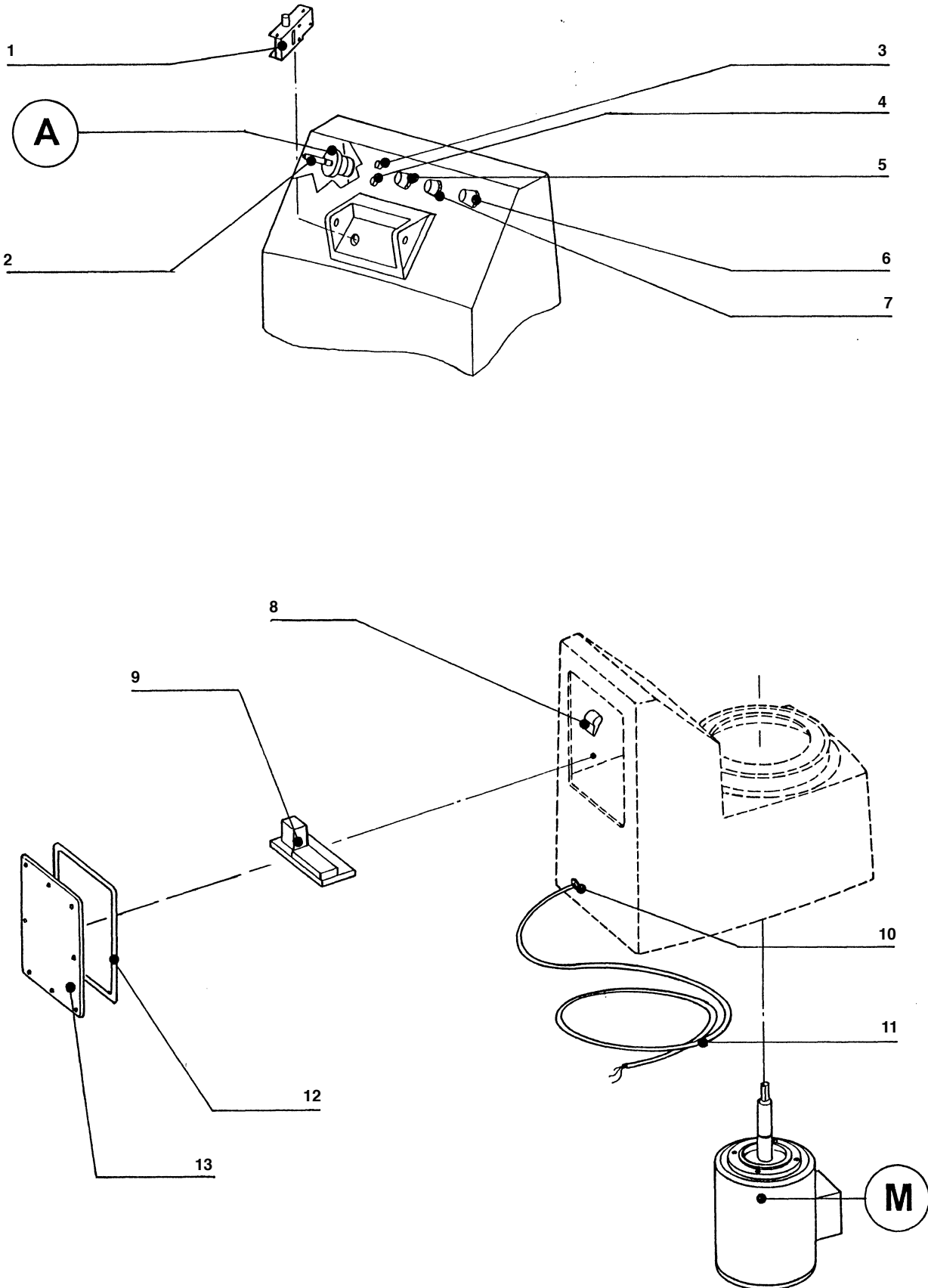
**Pricelist in : EUR**

N°	M	Voltage	A	B	
24304	303009 798,55	230 / 50-60 / 1	117710 694,35	503125 15,80	
24308	303009 798,55	200 / 50-60 / 1	117711 694,35	502067 29,95	
24325	303009 798,55	200 / 50-60 / 1	117712 694,35	503125 15,80	

Pour détail dispositif  
sous-vide R-Vac® Retour sommaire  
For vacuum adaptation  
Kit R-Vac® Return to the summary



INDEX	REF.	DESIGNATION	Pricelist in : EUR
1	29306	LID HANDLE ASS	85,75
2	101810	R8 LID SEAL	63,00
3	29305	R8 LID ASSEMBLY	433,00
4	29303	R8 BOWL	481,85
5	101930	SOCKET KEY	29,40
6	101811	SPACER	181,95
7	105875	R25B HINGE BUSH	2,00
8	101725	R8 SAFETY SOCKET	10,45
9	29301	R8 LID HINGE	79,50
10	29300	R8 HINGE PIN	23,05
11	401262	FRONT PLATE	9,30
12	101808	R8 BLADE SHAFT CAP	30,80
13	100848	R10 BLADE SPACER-NYLON	16,00
14	117225	ST.ST.RING 45 mm	26,15
15	100792	R10 15MM BLADE SPACER	18,70
16	101636	R8 BLADE SHAFT	210,05
17	101655	R8 MAGNET BLOCK	5,25
18	501000	R8 MAGNET	0,65
19	29068	R10 MOTOR SEAL/SOCKET ASSEMBLY	61,60
20	401263	ROTARY SWITCH PLATE	4,30
21	29302	BASE ASS	488,35
22	107613	R10 FOOT BRACKET	6,50
23	100790	R10 RUBBER FOOT	10,30
24	27100	R8 FLAT BLADE ASSEMBLY	Contact us
25	101708	BLADE	Contact us
26	27101	R8 SERRATED BLADE ASSEMBLY	Contact us
27	101709	BLADE	Contact us
28	27102	STRAIGHT BLADE KNIFE CR R8	Contact us
29	101796	R8 FLAT BLADE	Contact us
30	27103	SERRATED BLADE KNIFE CR R8	Contact us
31	101797	R8 SERRATED BLADE	Contact us



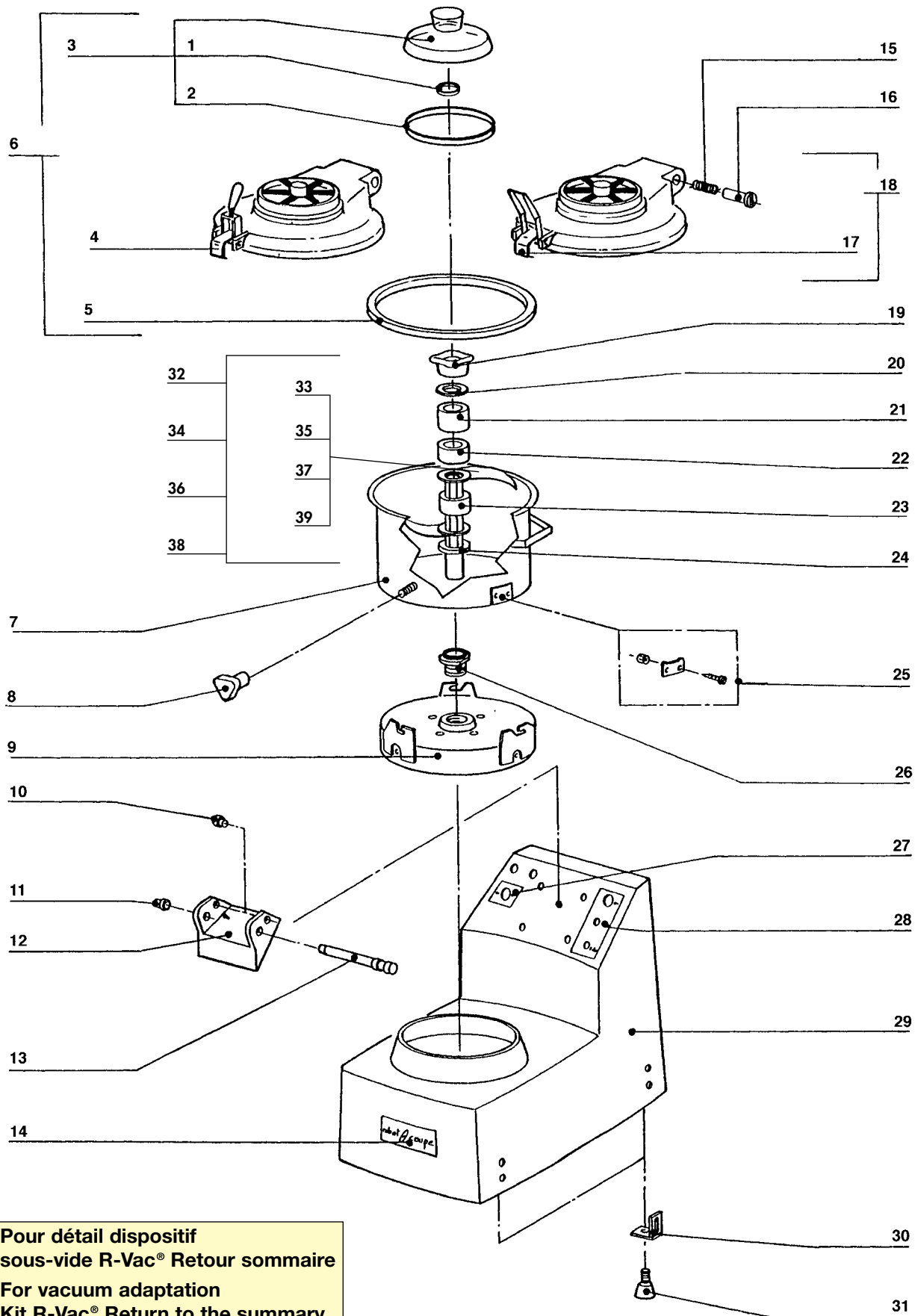
**(A)** 20 A SWITCHABLE COMMUTATOR

**(M)** 380-415/60/3 R8 MOTOR ASSEMBLY

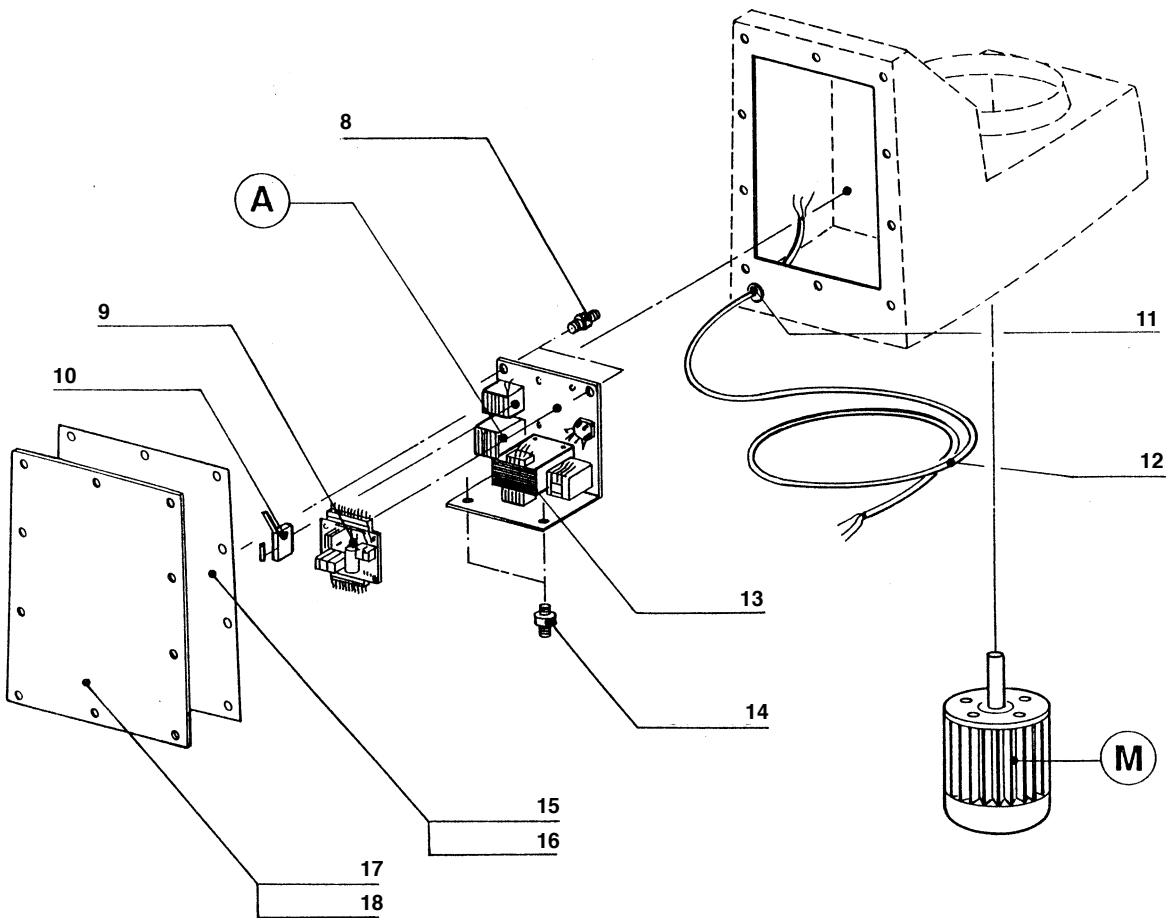
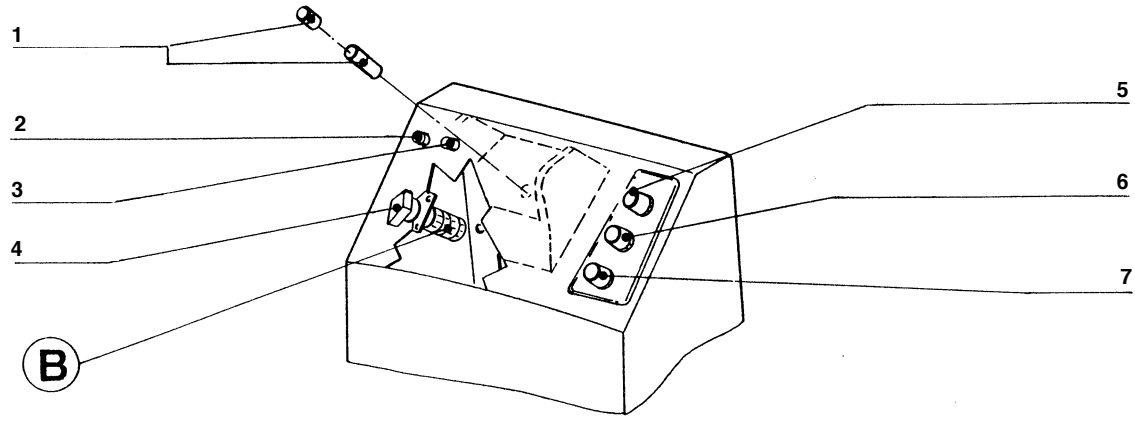
INDEX	REF.	DESIGNATION	Pricelist in : EUR
1	29262	R10a SAFTEY SWITCH ASSEMBLY	62,65
2	501842	R8 SWITCH HANDLE	11,75
3	501897	R8 CLEAR INDCATOR	6,75
4	501898	R8 GREEN INDICATOR	6,75
5	500301	BLACK KNOB	31,85
6	500321	RED KNOB	32,90
7	500322	GREEN KNOB	32,90
8	29307	R8 REED SWITCH ASSEMBLY	11,35
9	39013	R501Ua PCB	179,15
10	501773	WIRE DUCT	4,40
11	502408	POWER CORD	19,75
12	117226	ACCESS FLAP DOOR SEAL	18,50
13	101817	ACCES FLAP DOOR	39,15

N°	M	Voltage	A	
21069	302005 954,40	380 / 60 / 3	503462 57,90	
21070	301037 911,55	220-380 / 50 / 3	503469 62,80	
21071	301033 807,40	380 / 50 / 3	---	
21073	301036 807,40	220 / 60 / 3	503462 57,90	
21074SV	301037 911,55	220-380 / 50 / 3	503469 62,80	





INDEX	REF.	DESIGNATION	Pricelist in : EUR
1	502639	R10 LID CENTRE SEAL	1,85
2	500907	R10 LID COVER SEAL	7,55
3	29108	R10 LID COVER	41,05
4	29072	R10 LID CATCH ASSEMBLY	139,80
5	100820	R10 LID SEAL	38,55
6	29111	R10 C/D LID ASSEMBLY	461,40
7	29099	BOWL ASS	Contact us
8	100983	R10 BOWL KNOB	19,35
9	100806	R10 MOTOR SUPPORT	182,00
10	100818	R10 LID STOP	6,25
11	105875	R25B HINGE BUSH	2,00
12	29091	R10 HINGE BRACKET	79,55
13	29112	R10 HINGE PIN	25,65
14	400325	R10 NAME PLATE	9,30
15	100798	R10 LID HINGE SPRING	38,55
16	100799	R10 LID HINGE	80,80
17	59050	R10 LID LATCH ASS N/S	85,50
18	59054	R10 LID ASSEMBLY O/S	512,45
19	100946	R10 BLADE SHAFT CAP	30,80
20	100848	R10 BLADE SPACER-NYLON	16,00
21	100849	R10 75MM BLADE SPACER	31,35
22	100792	R10 15MM BLADE SPACER	18,70
23	100793	R10 20MM BLADE SPACER	23,35
24	100794	R20/R10 BLADE SHAFT OVAL	210,00
25	29114	R10 BOWL STABILISER PLATE	9,80
26	29068	R10 MOTOR SEAL/SOCKET ASSEMBLY	61,60
27	400337	R10 ROTARY SWITCH LEGEND	3,95
28	400338	R10 SWITCH PLATE	3,95
29	29098	BASE ASS	566,45
30	107613	R10 FOOT BRACKET	6,50
31	100790	R10 RUBBER FOOT	10,30
32	27028	STRAIGHT BLADE 3 mm	Contact us
33	100783	R10 BLADE-FLAT EDGE	Contact us
34	27029	SERRATED BLADE 3 mm	Contact us
35	100823	R10 BLADE-SERRATED EDGE	Contact us
36	27044	STRAIGHT BLADE 2 mm	Contact us
37	100853	BLADE	Contact us
38	27045	SERRATED BLADE 2 mm	Contact us
39	100854	BLADE	Contact us



- (A)** ELCTRIC CIRCUIT BOARD
- (B)** R10 ROTARY SWITCH
- (M)** MOTOR

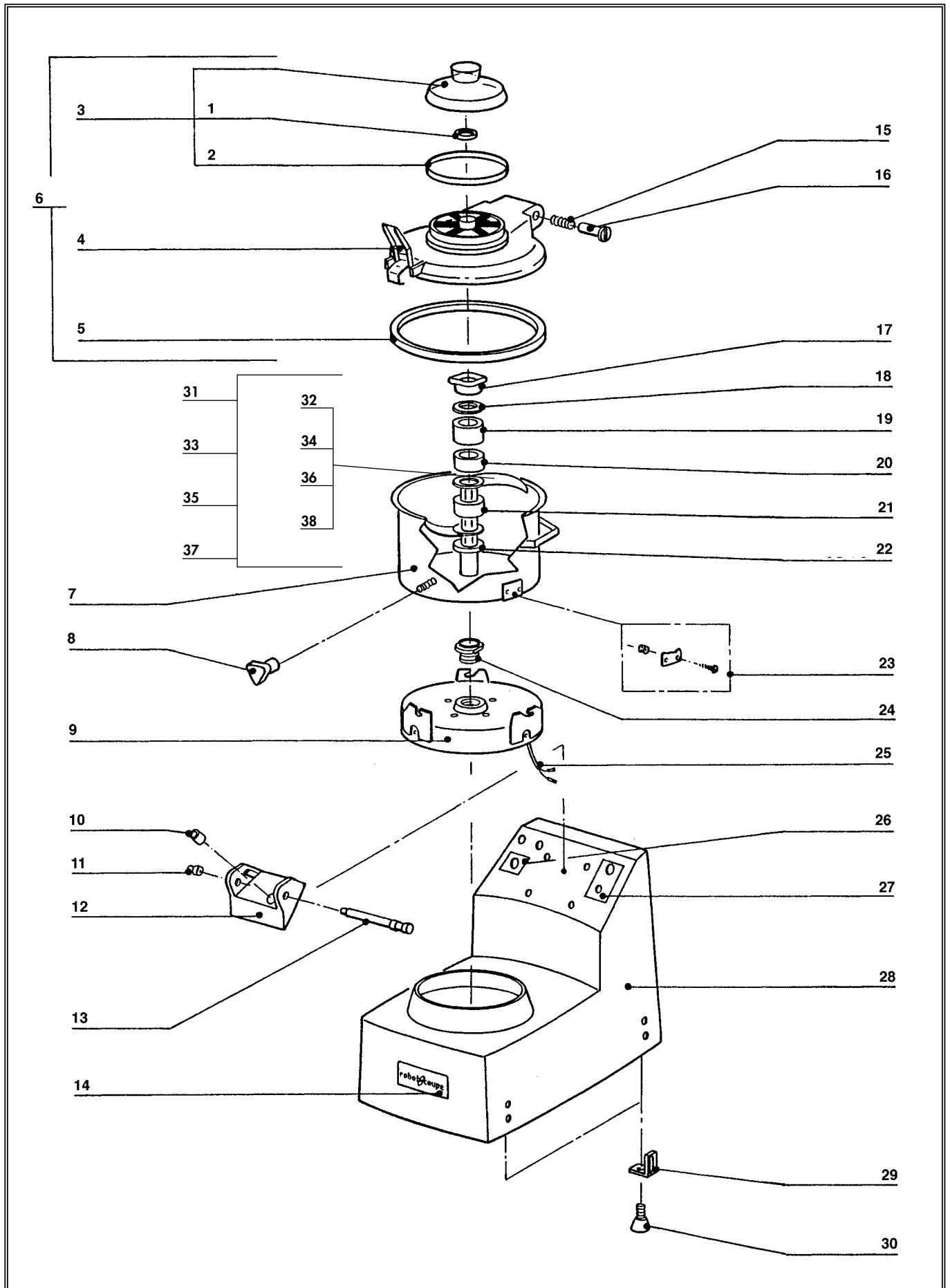
INDEX	REF.	DESIGNATION	Pricelist in : EUR
1	29093	R10 PROXIMITY SWITCH	146,20
2	500520	R10 CLEAR INDICATOR	6,75
3	500518	R10 GREEN INDICATOR	6,75
4	500556	R10 ROTARY SWITCH HANDLE	14,80
5	500321	RED KNOB	32,90
6	500322	GREEN KNOB	32,90
7	500301	BLACK KNOB	31,85
8	502876	ABSORBER	7,60
9	29070	R10 PCB	127,05
10	29165	FUSE ASS	24,25
11	118811	WIRE DUCT	6,10
12	501017	POWER CORD	29,05
13	29242	TRANSFORMER ASS	112,90
14	514778	R10 SHOCK ABSORBER	9,30
15	100787	R10 BACK PANEL SEAL	16,85
16	101010	ACCESS FLAP DOOR SEAL	16,65
17	100810	R10 BACK PANEL	37,40
18	100898	ACCESS FLAP DOOR	37,40

**robot coupe®**

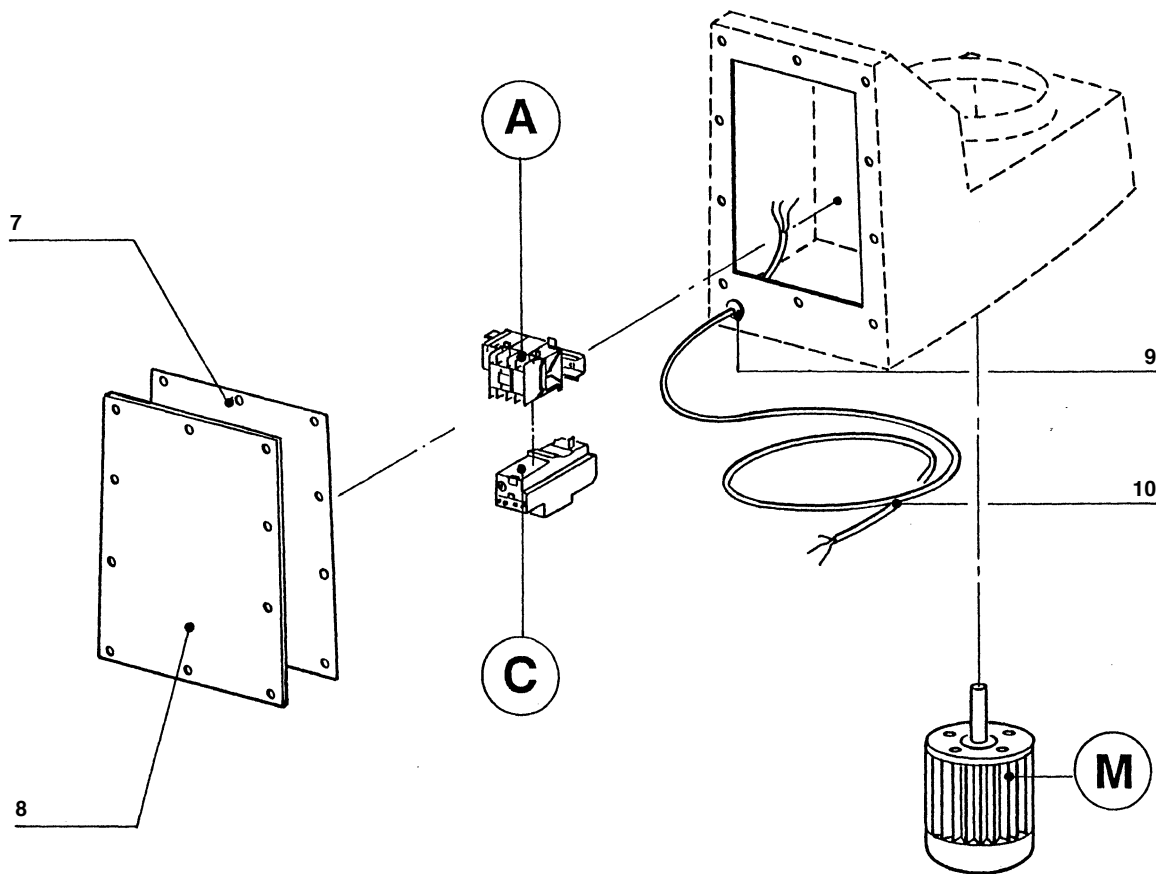
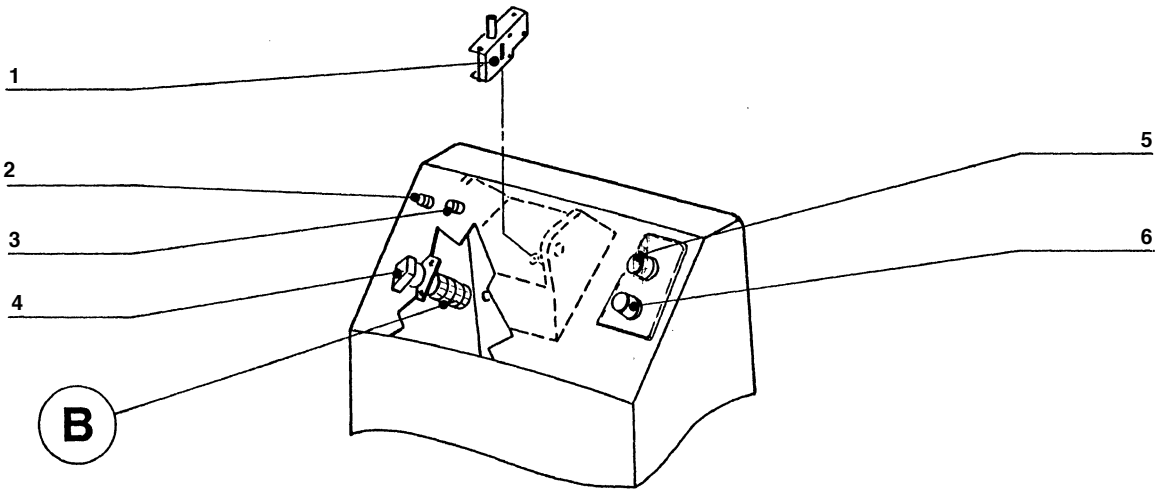
**R 10 / R 10 Sous-Vide**

**Pricelist in : EUR**

N°	M	Voltage	A	B	
21012	302061 807,45	380 / 50 / 3	29069 576,70	502637 107,65	
21013	302064 948,40	220-380 / 50 / 3	29090 576,70	500550 183,10	
21015	302063 884,30	220 / 60 / 3	29075 576,70	502637 107,65	
21016SV sous-	302064 948,40	220-380 / 50 / 3	29090 576,70	500550 183,10	



INDEX	REF.	DESIGNATION	Pricelist in : EUR
1	502639	R10 LID CENTRE SEAL	1,85
2	500907	R10 LID COVER SEAL	7,55
3	29108	R10 LID COVER	41,05
4	59050	R10 LID LATCH ASS N/S	85,50
5	100820	R10 LID SEAL	38,55
6	59052	COMPLETE LID ASS	512,45
7	29099	BOWL ASS	Contact us
8	100983	R10 BOWL KNOB	19,35
9	100806	R10 MOTOR SUPPORT	182,00
10	101315	R10a SAFETY SOCKET	4,75
11	105875	R25B HINGE BUSH	2,00
12	29255	R10A HINGE BRACKET	79,55
13	29112	R10 HINGE PIN	25,65
14	400967	FRONT PLATE	6,50
15	100798	R10 LID HINGE SPRING	38,55
16	100799	R10 LID HINGE	80,80
17	100946	R10 BLADE SHAFT CAP	30,80
18	100848	R10 BLADE SPACER-NYLON	16,00
19	100849	R10 75MM BLADE SPACER	31,35
20	100792	R10 15MM BLADE SPACER	18,70
21	100793	R10 20MM BLADE SPACER	23,35
22	100794	R20/R10 BLADE SHAFT OVAL	210,00
23	29114	R10 BOWL STABILISER PLATE	9,80
24	29068	R10 MOTOR SEAL/SOCKET ASSEMBLY	61,60
25	29241	R10a REED SWITCH ASSEMBLY	9,75
26	400337	R10 ROTARY SWITCH LEGEND	3,95
27	400780	CONTROL PANNEL PLATE	3,95
28	29098	BASE ASS	566,45
29	107613	R10 FOOT BRACKET	6,50
30	100790	R10 RUBBER FOOT	10,30
31	27028	STRAIGHT BLADE 3 mm	Contact us
32	100783	R10 BLADE-FLAT EDGE	Contact us
33	27029	SERRATED BLADE 3 mm	Contact us
34	100823	R10 BLADE-SERRATED EDGE	Contact us
35	27044	STRAIGHT BLADE 2 mm	Contact us
36	100853	BLADE	Contact us
37	27045	SERRATED BLADE 2 mm	Contact us
38	100854	BLADE	Contact us





**robot coupe®**

**R 10 Série 5**

- (A)** CONTACTOR
- (B)** R10 ROTARY SWITCH
- (C)** RELAY
- (M)** MOTOR

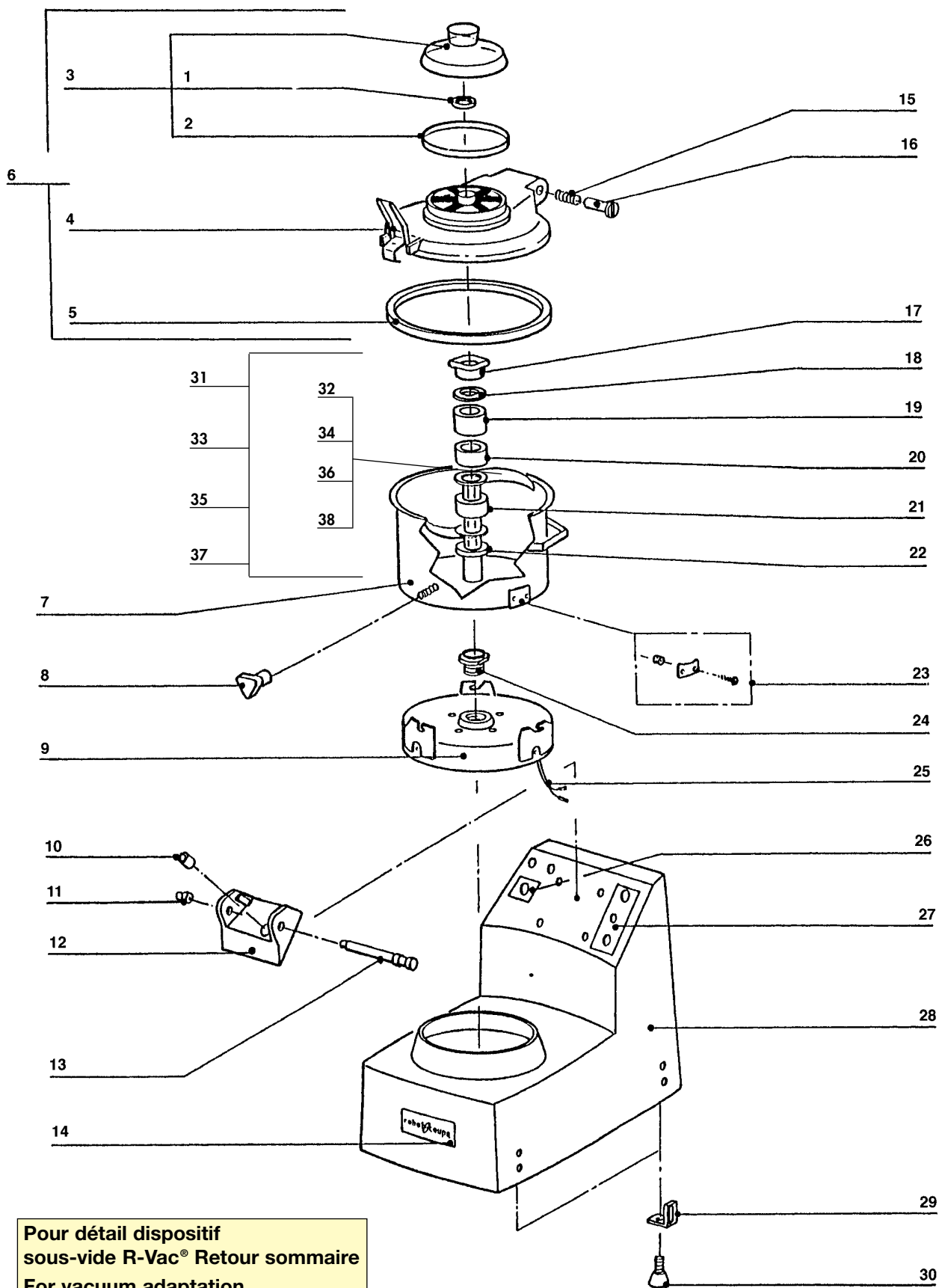
INDEX	REF.	DESIGNATION	Pricelist in : EUR
1	29270	R10 (D) SAFETY SWITCH ASS	62,65
2	505252	CRISTAL LAMP	7,70
3	502788	GREEN LAMP	9,05
4	500556	R10 ROTARY SWITCH HANDLE	14,80
5	500321	RED KNOB	32,90
6	500322	GREEN KNOB	32,90
7	101010	ACCESS FLAP DOOR SEAL	16,65
8	100898	ACCESS FLAP DOOR	37,40
9	515515	CL60 CABLE GROMMET	3,45
10	501017	POWER CORD	29,05

**robot coupe®**

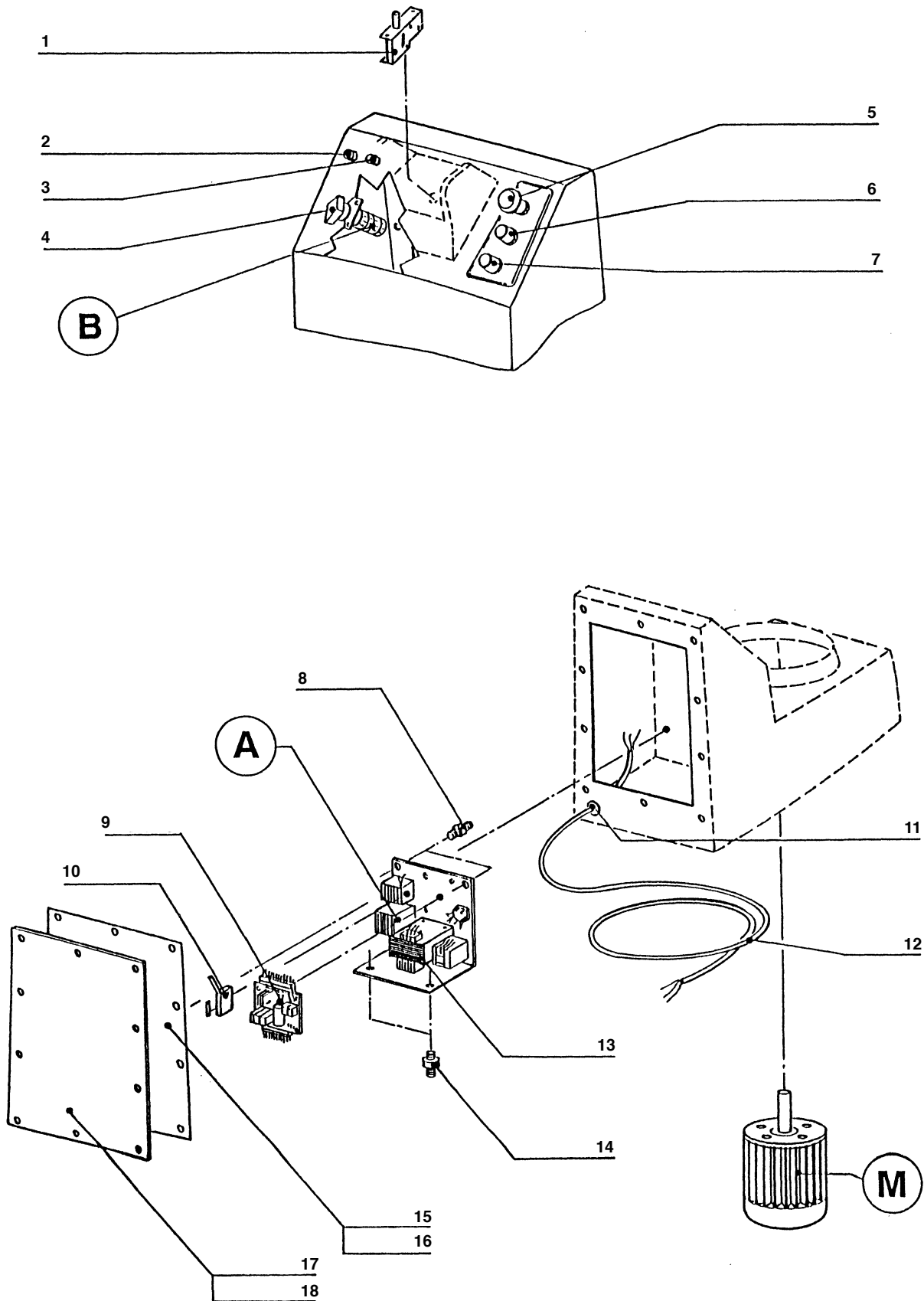
**R 10 Série 5**

**Pricelist in : EUR**

N°	M	Voltage	A	B	C	
21022	302061 807,45	380 / 50 / 3	507650 76,65	502637 107,65	500536 78,20	
21024	302063 884,30	220 / 60 / 3	503888 54,45	502637 107,65	500670 117,25	
21025	302064 948,40	220-380 / 50 / 3	507650 76,65	500550 183,10	500670 117,25	



INDEX	REF.	DESIGNATION	Pricelist in : EUR
1	502639	R10 LID CENTRE SEAL	1,85
2	500907	R10 LID COVER SEAL	7,55
3	29108	R10 LID COVER	41,05
4	59050	R10 LID LATCH ASS N/S	85,50
5	100820	R10 LID SEAL	38,55
6	59052	COMPLETE LID ASS	512,45
7	29099	BOWL ASS	Contact us
8	100983	R10 BOWL KNOB	19,35
9	100806	R10 MOTOR SUPPORT	182,00
10	101315	R10a SAFETY SOCKET	4,75
11	105875	R25B HINGE BUSH	2,00
12	29255	R10A HINGE BRACKET	79,55
13	29112	R10 HINGE PIN	25,65
14	400325	R10 NAME PLATE	9,30
15	100798	R10 LID HINGE SPRING	38,55
16	100799	R10 LID HINGE	80,80
17	100946	R10 BLADE SHAFT CAP	30,80
18	100848	R10 BLADE SPACER-NYLON	16,00
19	100849	R10 75MM BLADE SPACER	31,35
20	100792	R10 15MM BLADE SPACER	18,70
21	100793	R10 20MM BLADE SPACER	23,35
22	100794	R20/R10 BLADE SHAFT OVAL	210,00
23	29114	R10 BOWL STABILISER PLATE	9,80
24	29068	R10 MOTOR SEAL/SOCKET ASSEMBLY	61,60
25	29241	R10a REED SWITCH ASSEMBLY	9,75
26	400337	R10 ROTARY SWITCH LEGEND	3,95
27	400338	R10 SWITCH PLATE	3,95
28	29098	BASE ASS	566,45
29	107613	R10 FOOT BRACKET	6,50
30	100790	R10 RUBBER FOOT	10,30
31	27028	STRAIGHT BLADE 3 mm	Contact us
32	100783	R10 BLADE-FLAT EDGE	Contact us
33	27029	SERRATED BLADE 3 mm	Contact us
34	100823	R10 BLADE-SERRATED EDGE	Contact us
35	27044	STRAIGHT BLADE 2 mm	Contact us
36	100853	BLADE	Contact us
37	27045	SERRATED BLADE 2 mm	Contact us
38	100854	BLADE	Contact us



- (A)** ELCTRIC CIRCUIT BOARD
- (B)** R10 ROTARY SWITCH
- (M)** MOTOR

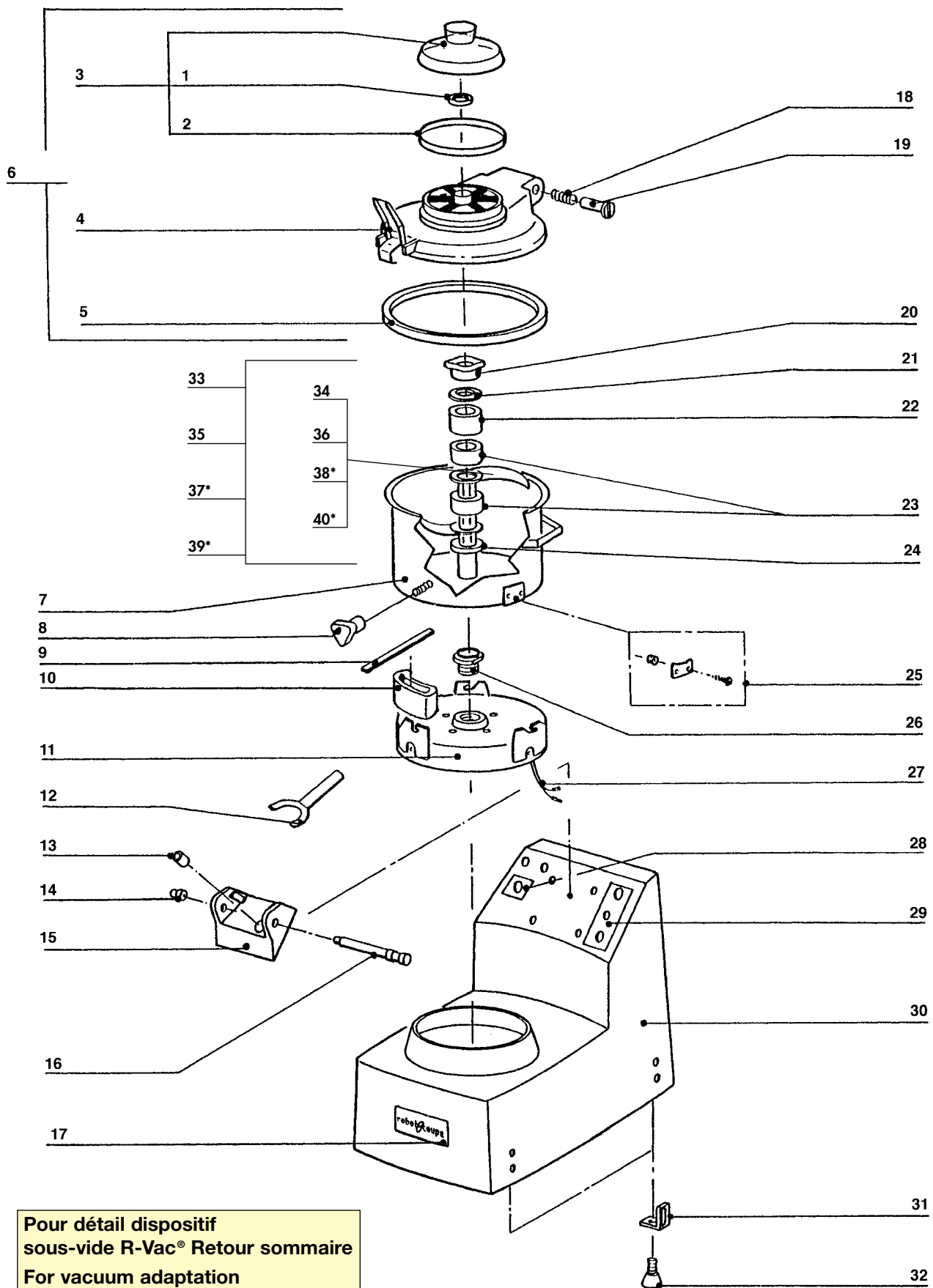
INDEX	REF.	DESIGNATION	Pricelist in : EUR
1	29262	R10a SAFTEY SWITCH ASSEMBLY	62,65
2	500520	R10 CLEAR INDICATOR	6,75
3	500518	R10 GREEN INDICATOR	6,75
4	500556	R10 ROTARY SWITCH HANDLE	14,80
5	500300	CL50 RED SWITCH ASSEMBLY	31,85
6	500322	GREEN KNOB	32,90
7	500301	BLACK KNOB	31,85
8	502876	ABSORBER	7,60
9	29070	R10 PCB	127,05
10	29165	FUSE ASS	24,25
11	515515	CL60 CABLE GROMMET	3,45
12	501017	POWER CORD	29,05
13	29242	TRANSFORMER ASS	112,90
14	514778	R10 SHOCK ABSORBER	9,30
15	100787	R10 BACK PANEL SEAL	16,85
16	101010	ACCESS FLAP DOOR SEAL	16,65
17	100810	R10 BACK PANEL	37,40
18	100898	ACCESS FLAP DOOR	37,40



R 10 "A" / R 10 "A" Sous-Vide

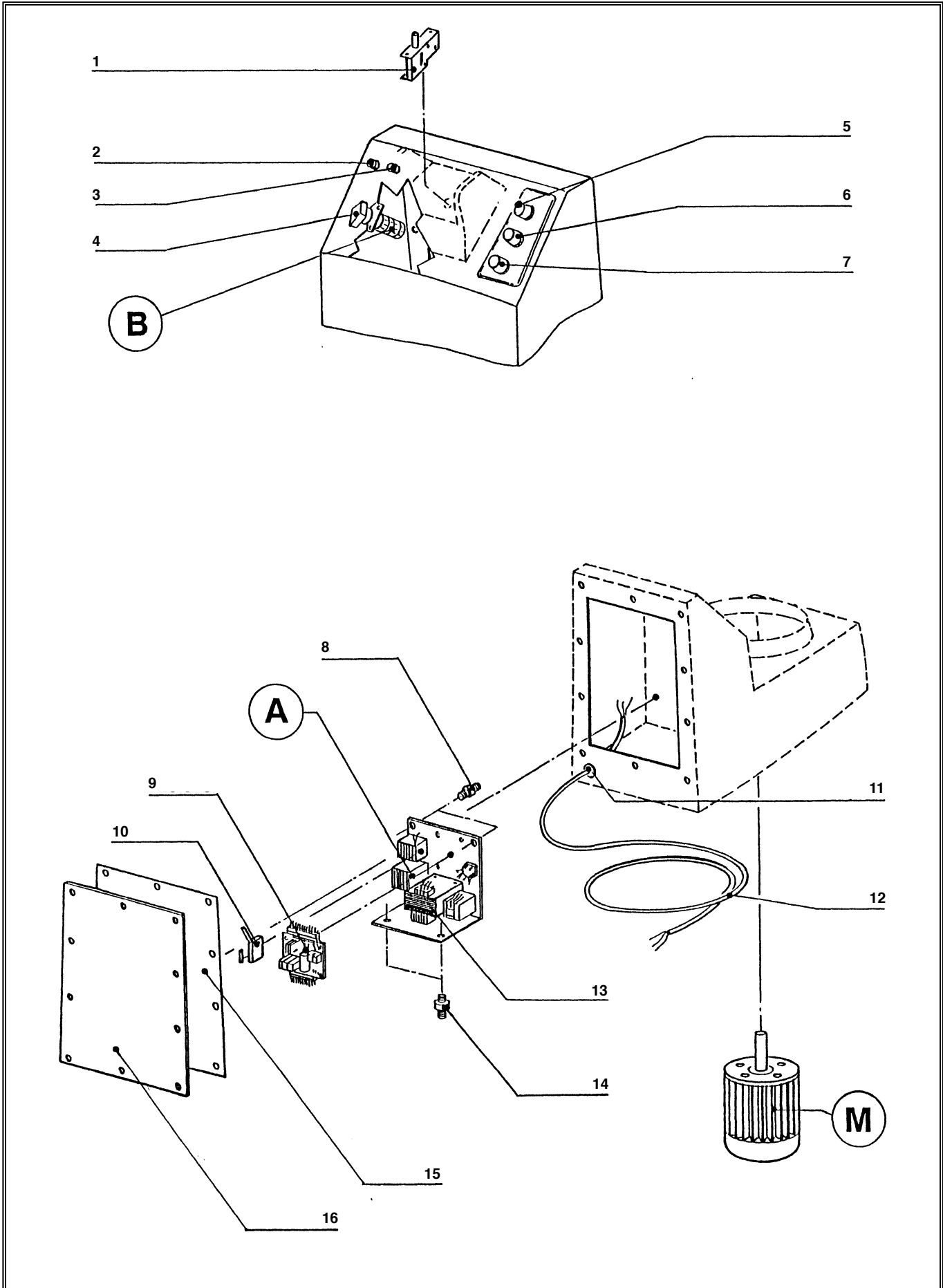
Pricelist in : EUR

N°	M	Voltage	A	B	
21026	302064 948,40	220-380 / 50 / 3	29090 576,70	500550 183,10	
21027	302061 807,45	380 / 50 / 3	29069 576,70	502637 107,65	
21029	302063 884,30	220 / 60 / 3	29075 576,70	502637 107,65	
21030SV sous-	302064 948,40	220-380 / 50 / 3	29090 576,70	500550 183,10	





INDEX	REF.	DESIGNATION	Pricelist in : EUR
1	502639	R10 LID CENTRE SEAL	1,85
2	500907	R10 LID COVER SEAL	7,55
3	29108	R10 LID COVER	41,05
4	59050	R10 LID LATCH ASS N/S	85,50
5	100820	R10 LID SEAL	38,55
6	29240	COMPLETE LID ASS NM	512,45
7	29248	BOWL ASS	551,10
8	100983	R10 BOWL KNOB	19,35
9	101236	KEY	6,35
10	101234	R10/20 BLADE LOCK	4,70
11	100806	R10 MOTOR SUPPORT	182,00
12	101930	SOCKET KEY	29,40
13	101315	R10a SAFETY SOCKET	4,75
14	105875	R25B HINGE BUSH	2,00
15	29255	R10A HINGE BRACKET	79,55
16	29112	R10 HINGE PIN	25,65
17	400325	R10 NAME PLATE	9,30
18	100798	R10 LID HINGE SPRING	38,55
19	100799	R10 LID HINGE	80,80
20	100946	R10 BLADE SHAFT CAP	30,80
21	100848	R10 BLADE SPACER-NYLON	16,00
22	101195	R20 BLADE SPACER 50MM	22,55
23	100793	R10 20MM BLADE SPACER	23,35
24	101967	R10C BLADE SHAFT SQUARE	210,00
25	29114	R10 BOWL STABILISER PLATE	9,80
26	29068	R10 MOTOR SEAL/SOCKET ASSEMBLY	61,60
27	29241	R10a REED SWITCH ASSEMBLY	9,75
28	400337	R10 ROTARY SWITCH LEGEND	3,95
29	400338	R10 SWITCH PLATE	3,95
30	29098	BASE ASS	566,45
31	107613	R10 FOOT BRACKET	6,50
32	100790	R10 RUBBER FOOT	10,30
33	27088	R10C BLADE ASSEMBLY-FLAT SQ SHAFT	Contact us
34	100783	R10 BLADE-FLAT EDGE	Contact us
35	27089	R10 BLADE ASSEMBLY-SERRATED SQUARE	Contact us
36	100823	R10 BLADE-SERRATED EDGE	Contact us
37	27090	STRAIGHT BLADE 2 mm	Contact us
38	100853	BLADE	Contact us
39	27091	SERRATED BLADE 2 mm	Contact us
40	100854	BLADE	Contact us



- (A)** ELCTRIC CIRCUIT BOARD
- (B)** R10 ROTARY SWITCH
- (M)** MOTOR

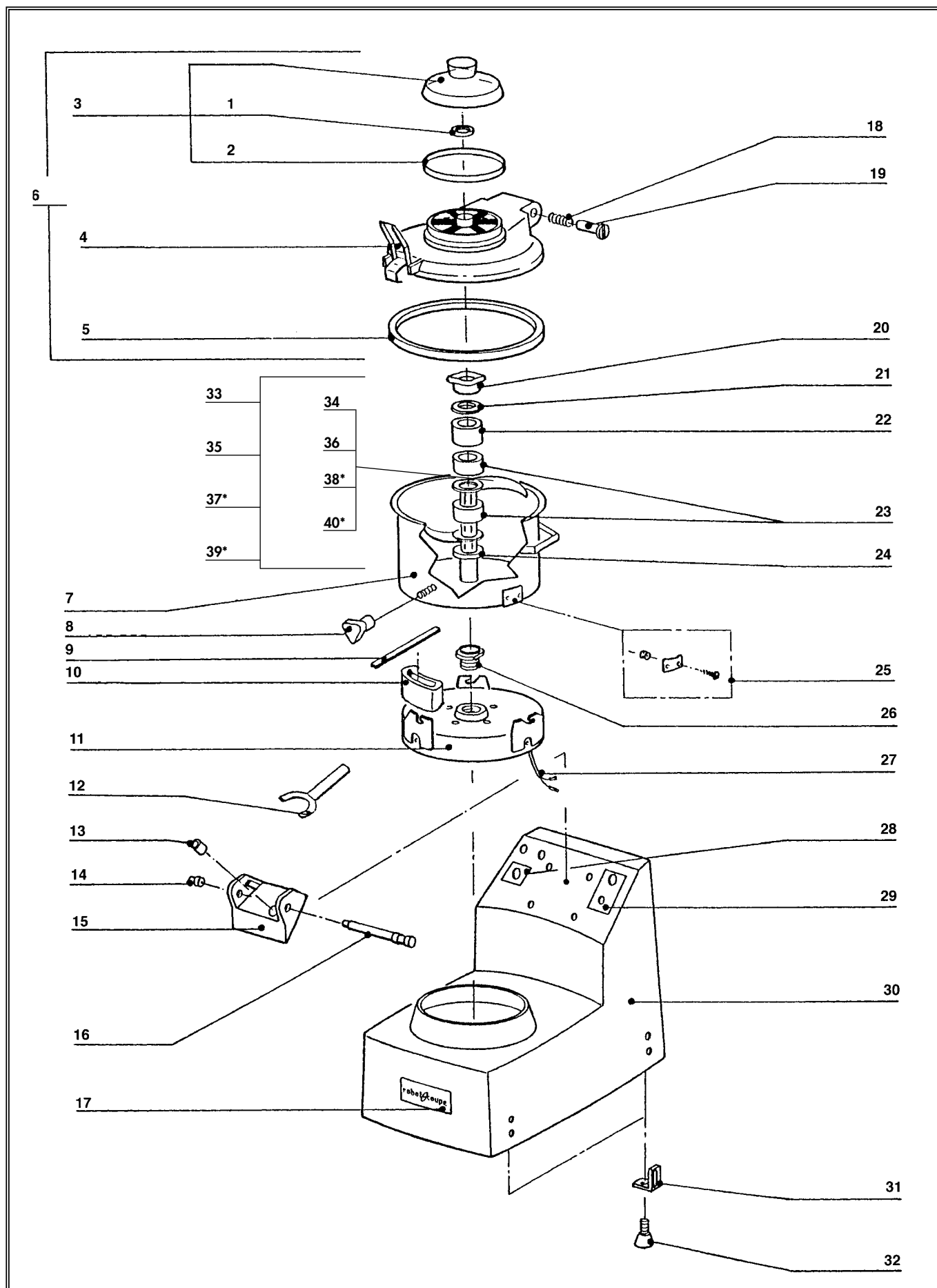
INDEX	REF.	DESIGNATION	Pricelist in : EUR
1	29262	R10a SAFTEY SWITCH ASSEMBLY	62,65
2	500520	R10 CLEAR INDICATOR	6,75
3	500518	R10 GREEN INDICATOR	6,75
4	500556	R10 ROTARY SWITCH HANDLE	14,80
5	500321	RED KNOB	32,90
6	500322	GREEN KNOB	32,90
7	500301	BLACK KNOB	31,85
8	502876	ABSORBER	7,60
9	29070	R10 PCB	127,05
10	29165	FUSE ASS	24,25
11	515515	CL60 CABLE GROMMET	3,45
12	502067	POWER CORD	29,95
13	29242	TRANSFORMER ASS	112,90
14	514778	R10 SHOCK ABSORBER	9,30
15	101010	ACCESS FLAP DOOR SEAL	16,65
16	100898	ACCESS FLAP DOOR	37,40



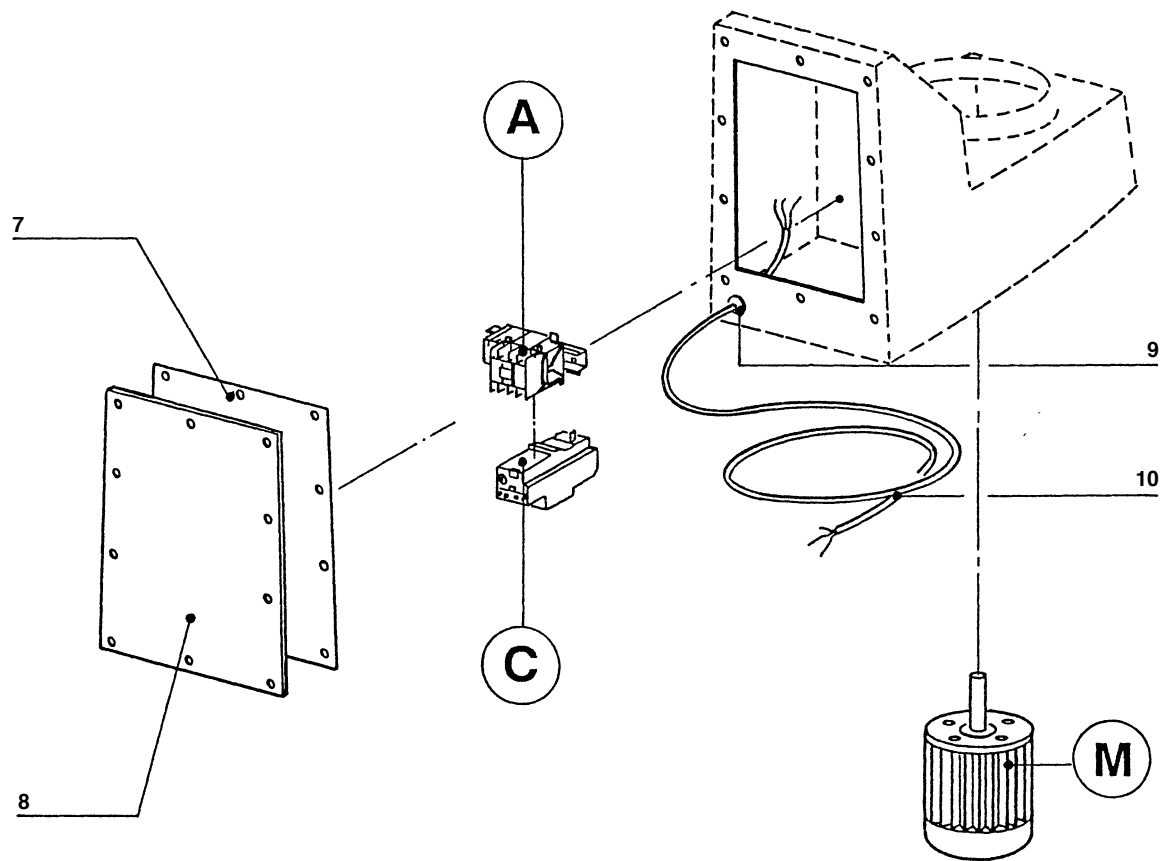
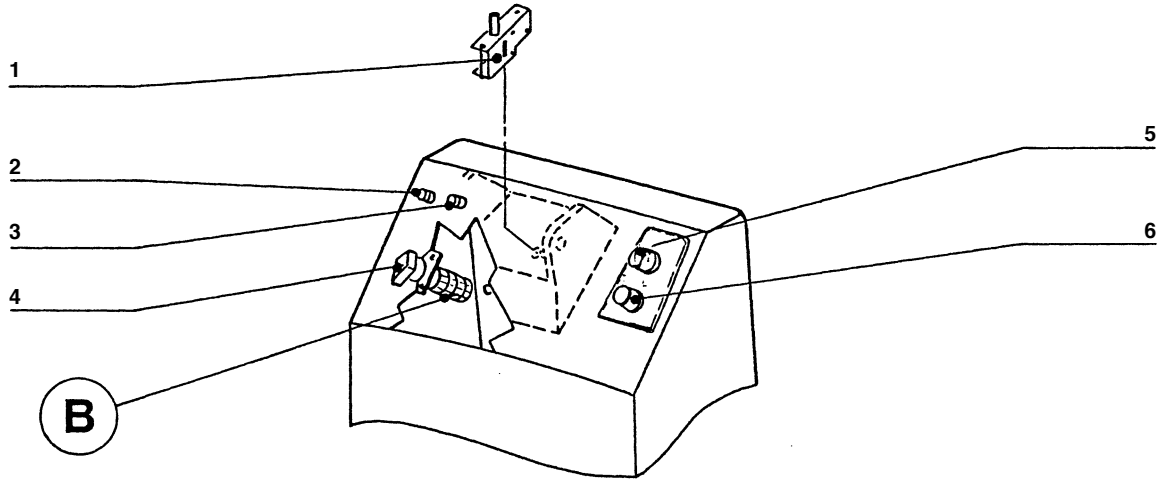
R 10 "C " / R 10 "C" Sous-Vide

Pricelist in : EUR

N°	M	Voltage	A	B	
21044	301054 948,40	220-380 / 50 / 3	29075 576,70	500550 183,10	
21045SV sous-	301054 948,40	220-380 / 50 / 3	29075 576,70	500550 183,10	
21046	301055 884,30	220 / 60 / 3	29075 576,70	502637 107,65	
21048	301057 807,45	380 / 50 / 3	29069 576,70	502637 107,65	



INDEX	REF.	DESIGNATION	Pricelist in : EUR
1	502639	R10 LID CENTRE SEAL	1,85
2	500907	R10 LID COVER SEAL	7,55
3	29108	R10 LID COVER	41,05
4	59050	R10 LID LATCH ASS N/S	85,50
5	100820	R10 LID SEAL	38,55
6	29240	COMPLETE LID ASS NM	512,45
7	29248	BOWL ASS	551,10
8	100983	R10 BOWL KNOB	19,35
9	101236	KEY	6,35
10	101234	R10/20 BLADE LOCK	4,70
11	100806	R10 MOTOR SUPPORT	182,00
12	101930	SOCKET KEY	29,40
13	101315	R10a SAFETY SOCKET	4,75
14	105875	R25B HINGE BUSH	2,00
15	29255	R10A HINGE BRACKET	79,55
16	29112	R10 HINGE PIN	25,65
17	400967	FRONT PLATE	6,50
18	100798	R10 LID HINGE SPRING	38,55
19	100799	R10 LID HINGE	80,80
20	100946	R10 BLADE SHAFT CAP	30,80
21	100848	R10 BLADE SPACER-NYLON	16,00
22	101195	R20 BLADE SPACER 50MM	22,55
23	100793	R10 20MM BLADE SPACER	23,35
24	101967	R10C BLADE SHAFT SQUARE	210,00
25	29114	R10 BOWL STABILISER PLATE	9,80
26	29068	R10 MOTOR SEAL/SOCKET ASSEMBLY	61,60
27	29241	R10a REED SWITCH ASSEMBLY	9,75
28	400337	R10 ROTARY SWITCH LEGEND	3,95
29	400780	CONTROL PANNEL PLATE	3,95
30	29098	BASE ASS	566,45
31	107613	R10 FOOT BRACKET	6,50
32	100790	R10 RUBBER FOOT	10,30
33	27088	R10C BLADE ASSEMBLY-FLAT SQ SHAFT	Contact us
34	100783	R10 BLADE-FLAT EDGE	Contact us
35	27089	R10 BLADE ASSEMBLY-SERRATED SQUARE	Contact us
36	100823	R10 BLADE-SERRATED EDGE	Contact us
37	27090	STRAIGHT BLADE 2 mm	Contact us
38	100853	BLADE	Contact us
39	27091	SERRATED BLADE 2 mm	Contact us
40	100854	BLADE	Contact us



**robot coupe**

**R 10 "C" Série 5**

- (A)** CONTACTOR
- (B)** R10 ROTARY SWITCH
- (C)** 4/6 A THERMAL RELAY
- (M)** MOTOR

INDEX	REF.	DESIGNATION	Pricelist in : EUR
1	29270	R10 (D) SAFETY SWITCH ASS	62,65
2	505252	CRISTAL LAMP	7,70
3	502788	GREEN LAMP	9,05
4	500556	R10 ROTARY SWITCH HANDLE	14,80
5	500321	RED KNOB	32,90
6	500322	GREEN KNOB	32,90
7	101010	ACCESS FLAP DOOR SEAL	16,65
8	100898	ACCESS FLAP DOOR	37,40
9	515515	CL60 CABLE GROMMET	3,45
10	502067	POWER CORD	29,95

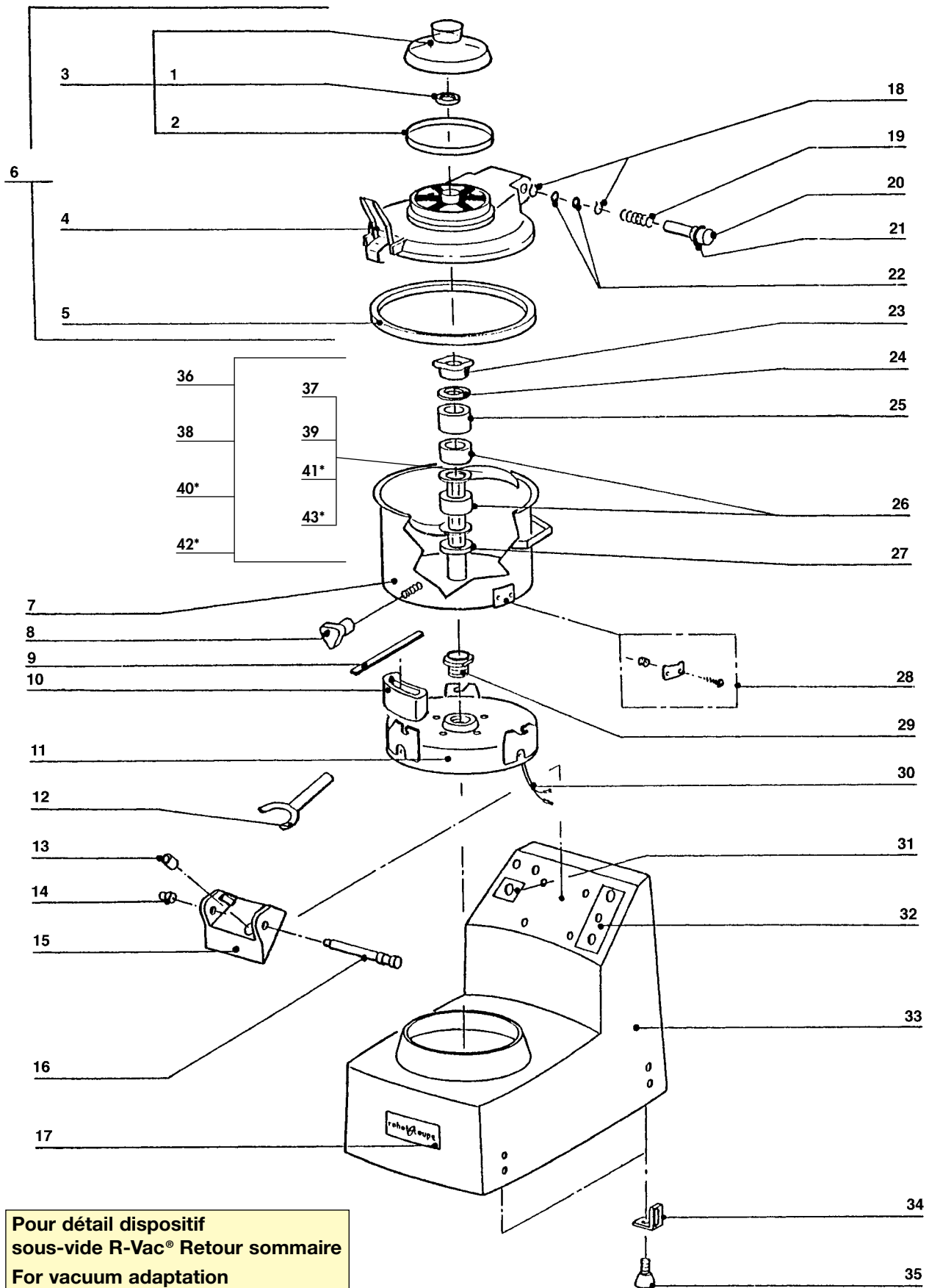




# R 10 "C" Série 5

Pricelist in : EUR

N°	M	Voltage	A	B	C	
21036	301057 807,45	380 / 50 / 3	507650 76,65	502637 107,65	500536 78,20	
21038	301055 884,30	220 / 60 / 3	503888 54,45	502637 107,65	500670 117,25	
21039	301054 948,40	220-380 / 50 / 3	507650 76,65	500550 183,10	500670 117,25	
21050	301070 807,45	380 / 60 / 3	502389 Contact us	502637 107,65	501816 111,35	

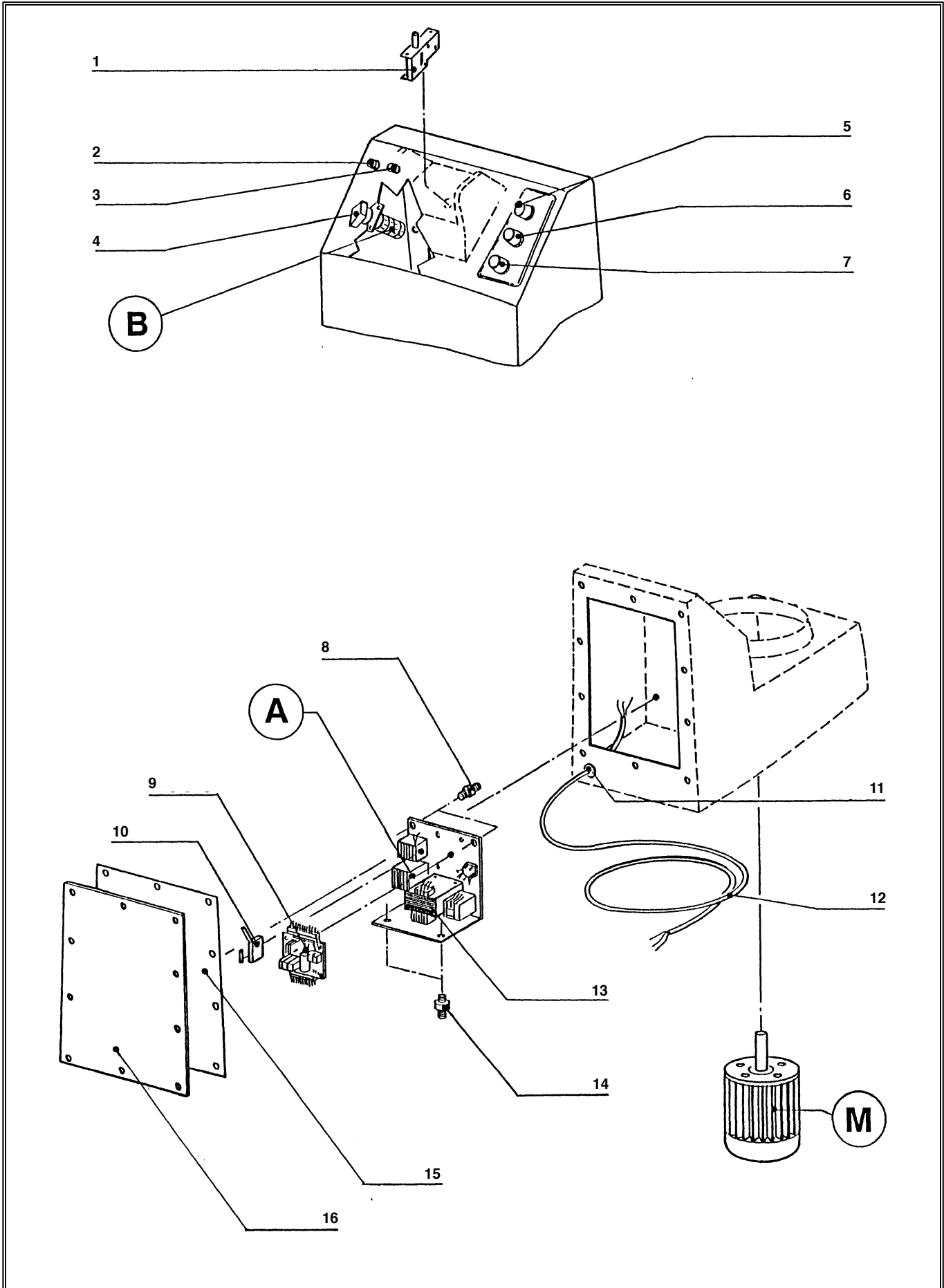


Pour détail dispositif  
sous-vide R-Vac® Retour sommaire  
For vacuum adaptation  
Kit R-Vac® Return to the summary



R 10 "D" / R 10 "D" Sous-Vide

INDEX	REF.	DESIGNATION	Pricelist in : EUR
1	502639	R10 LID CENTRE SEAL	1,85
2	500907	R10 LID COVER SEAL	7,55
3	29108	R10 LID COVER	41,05
4	59050	R10 LID LATCH ASS N/S	85,50
5	117641	R10/R20 (D) LID SEAL	38,55
6	29474	R20 LID ASSEMBLY	512,45
7	29248	BOWL ASS	551,10
8	100983	R10 BOWL KNOB	19,35
9	101236	KEY	6,35
10	101234	R10/20 BLADE LOCK	4,70
11	100806	R10 MOTOR SUPPORT	182,00
12	101930	SOCKET KEY	29,40
13	101315	R10a SAFETY SOCKET	4,75
14	117645	R10D HINGE BUSH	2,00
15	29475	R10D HINGE BRACKET	79,50
16	29112	R10 HINGE PIN	25,65
17	400325	R10 NAME PLATE	9,30
18	502510	RETAINING RING	2,90
19	117644	R10D LID HINGE SPRING	30,20
20	29473	LID SPINDLE ASS	80,80
21	502508	SEAL NAPN	12,10
22	502509	X RING	2,50
23	100946	R10 BLADE SHAFT CAP	30,80
24	100848	R10 BLADE SPACER-NYLON	16,00
25	101195	R20 BLADE SPACER 50MM	22,55
26	100793	R10 20MM BLADE SPACER	23,35
27	101967	R10C BLADE SHAFT SQUARE	210,00
28	29114	R10 BOWL STABILISER PLATE	9,80
29	29068	R10 MOTOR SEAL/SOCKET ASSEMBLY	61,60
30	29241	R10a REED SWITCH ASSEMBLY	9,75
31	400337	R10 ROTARY SWITCH LEGEND	3,95
32	400338	R10 SWITCH PLATE	3,95
33	29098	BASE ASS	566,45
34	107613	R10 FOOT BRACKET	6,50
35	100790	R10 RUBBER FOOT	10,30
36	27234	STRAIGHT BLADE ASSY 3MM CR	See Price list
37	119166	R10 STRAIGHT BLADE 3MM CR	See Price list
38	27235	SLICER COOKED POTATOES 6	See Price list
39	119167	R10 SERRATED BLADE 3MM CR	See Price list
40	27088	R10C BLADE ASSEMBLY-FLAT SQ SHAFT	Contact us
41	100783	R10 BLADE-FLAT EDGE	Contact us
42	27089	R10 BLADE ASSEMBLY-SERRATED SQUARE	Contact us
43	100823	R10 BLADE-SERRATED EDGE	Contact us



- (A)** ELECTRIC CIRCUIT BOARD
- (B)** R10 ROTARY SWITCH
- (M)** MOTOR

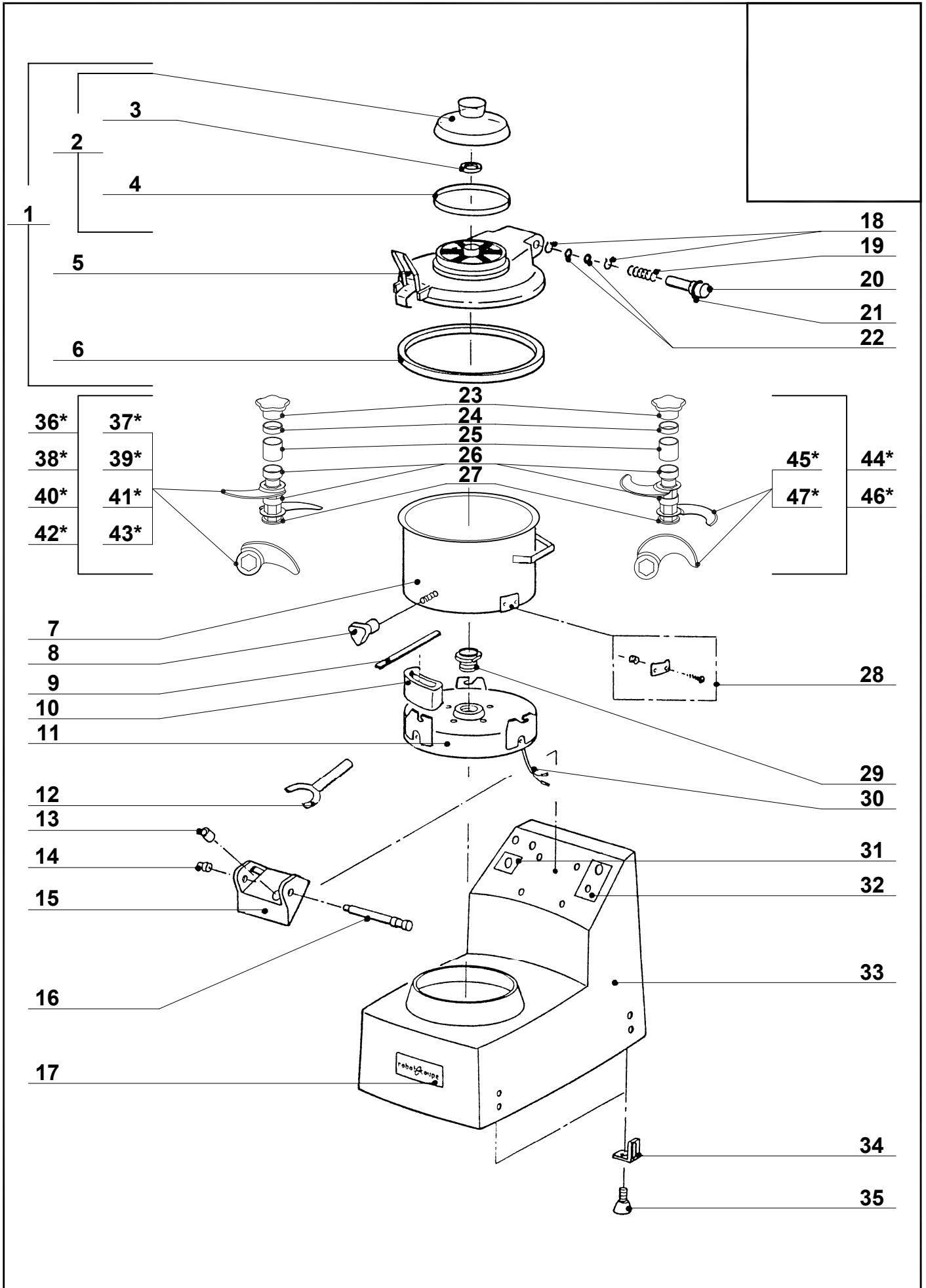
INDEX	REF.	DESIGNATION	Pricelist in : EUR
1	29262	R10a SAFTEY SWITCH ASSEMBLY	62,65
2	500520	R10 CLEAR INDICATOR	6,75
3	500518	R10 GREEN INDICATOR	6,75
4	500556	R10 ROTARY SWITCH HANDLE	14,80
5	500321	RED KNOB	32,90
6	500322	GREEN KNOB	32,90
7	500301	BLACK KNOB	31,85
8	502876	ABSORBER	7,60
9	29070	R10 PCB	127,05
10	29165	FUSE ASS	24,25
11	515515	CL60 CABLE GROMMET	3,45
12	502686	POWER CORD	85,60
13	29242	TRANSFORMER ASS	112,90
14	514778	R10 SHOCK ABSORBER	9,30
15	101010	ACCESS FLAP DOOR SEAL	16,65
16	100898	ACCESS FLAP DOOR	37,40

**robot coupe®**

**R 10 "D" / R 10 "D" Sous-Vide**

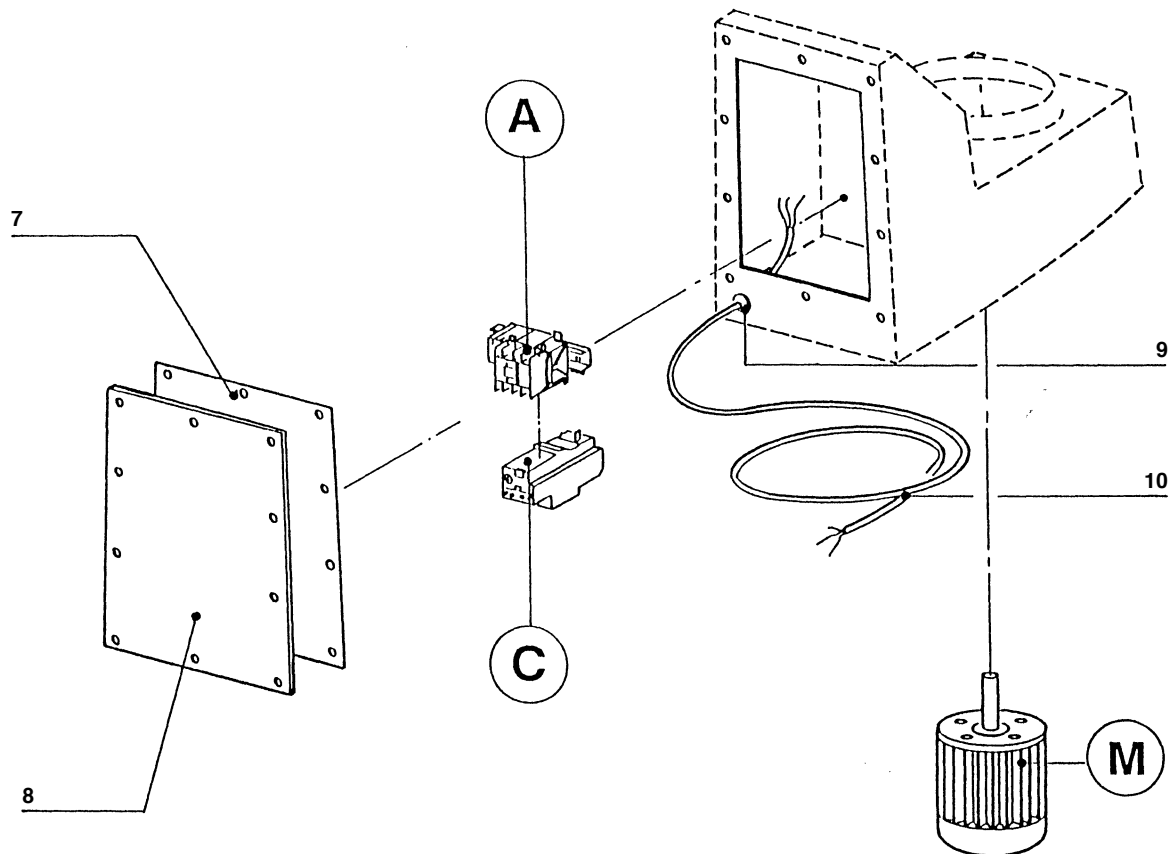
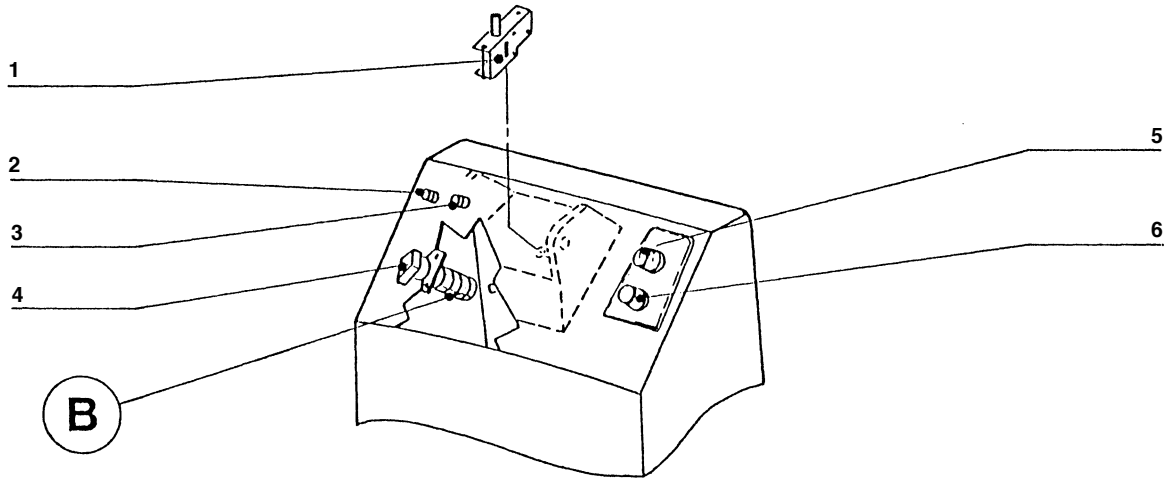
**Pricelist in : EUR**

N°	M	Voltage	A	B	
21055	301054 948,40	220-380 / 50 / 3	29075 576,70	500550 183,10	
21056	301057 807,45	380 / 50 / 3	29069 576,70	502637 107,65	
21058	301055 884,30	220 / 60 / 3	29075 576,70	502637 107,65	
21059SV sous-	301054 948,40	220-380 / 50 / 3	29075 576,70	500550 183,10	



INDEX	REF.	DESIGNATION	Pricelist in : EUR
1	29474	R20 LID ASSEMBLY	512,45
2	29108	R10 LID COVER	41,05
3	502639	R10 LID CENTRE SEAL	1,85
4	500907	R10 LID COVER SEAL	7,55
5	59050	R10 LID LATCH ASS N/S	85,50
6	117641	R10/R20 (D) LID SEAL	38,55
7	29248	BOWL ASS	551,10
8	100983	R10 BOWL KNOB	19,35
9	101236	KEY	6,35
10	101234	R10/20 BLADE LOCK	4,70
11	100806	R10 MOTOR SUPPORT	182,00
12	101930	SOCKET KEY	29,40
13	101315	R10a SAFETY SOCKET	4,75
14	117645	R10D HINGE BUSH	2,00
15	29475	R10D HINGE BRACKET	79,50
16	29112	R10 HINGE PIN	25,65
17	400967	FRONT PLATE	6,50
18	502510	RETAINING RING	2,90
19	117644	R10D LID HINGE SPRING	30,20
20	29473	LID SPINDLE ASS	80,80
21	502508	SEAL NAPN	12,10
22	502509	X RING	2,50
23	100946	R10 BLADE SHAFT CAP	30,80
24	100848	R10 BLADE SPACER-NYLON	16,00
25	101195	R20 BLADE SPACER 50MM	22,55
26	100793	R10 20MM BLADE SPACER	23,35
27	101967	R10C BLADE SHAFT SQUARE	210,00
28	29114	R10 BOWL STABILISER PLATE	9,80
29	29068	R10 MOTOR SEAL/SOCKET ASSEMBLY	61,60
30	29241	R10a REED SWITCH ASSEMBLY	9,75
31	400337	R10 ROTARY SWITCH LEGEND	3,95
32	400780	CONTROL PANNEL PLATE	3,95
33	29098	BASE ASS	566,45
34	107613	R10 FOOT BRACKET	6,50
35	100790	R10 RUBBER FOOT	10,30
36	27088	R10C BLADE ASSEMBLY-FLAT SQ SHAFT	Contact us
37	100783	R10 BLADE-FLAT EDGE	Contact us
38	27089	R10 BLADE ASSEMBLY-SERRATED SQUARE	Contact us
39	100823	R10 BLADE-SERRATED EDGE	Contact us
40	27090	STRAIGHT BLADE 2 mm	Contact us
41	100853	BLADE	Contact us
42	27091	SERRATED BLADE 2 mm	Contact us
43	100854	BLADE	Contact us
44	27234	STRAIGHT BLADE ASSY 3MM CR	See Price list
45	119166	R10 STRAIGHT BLADE 3MM CR	See Price list
46	27235	SLICER COOKED POTATOES 6	See Price list
47	119167	R10 SERRATED BLADE 3MM CR	See Price list





- (A)** CONTACTOR
- (B)** R10 ROTARY SWITCH
- (C)** 4/6 A THERMAL RELAY
- (M)** MOTOR

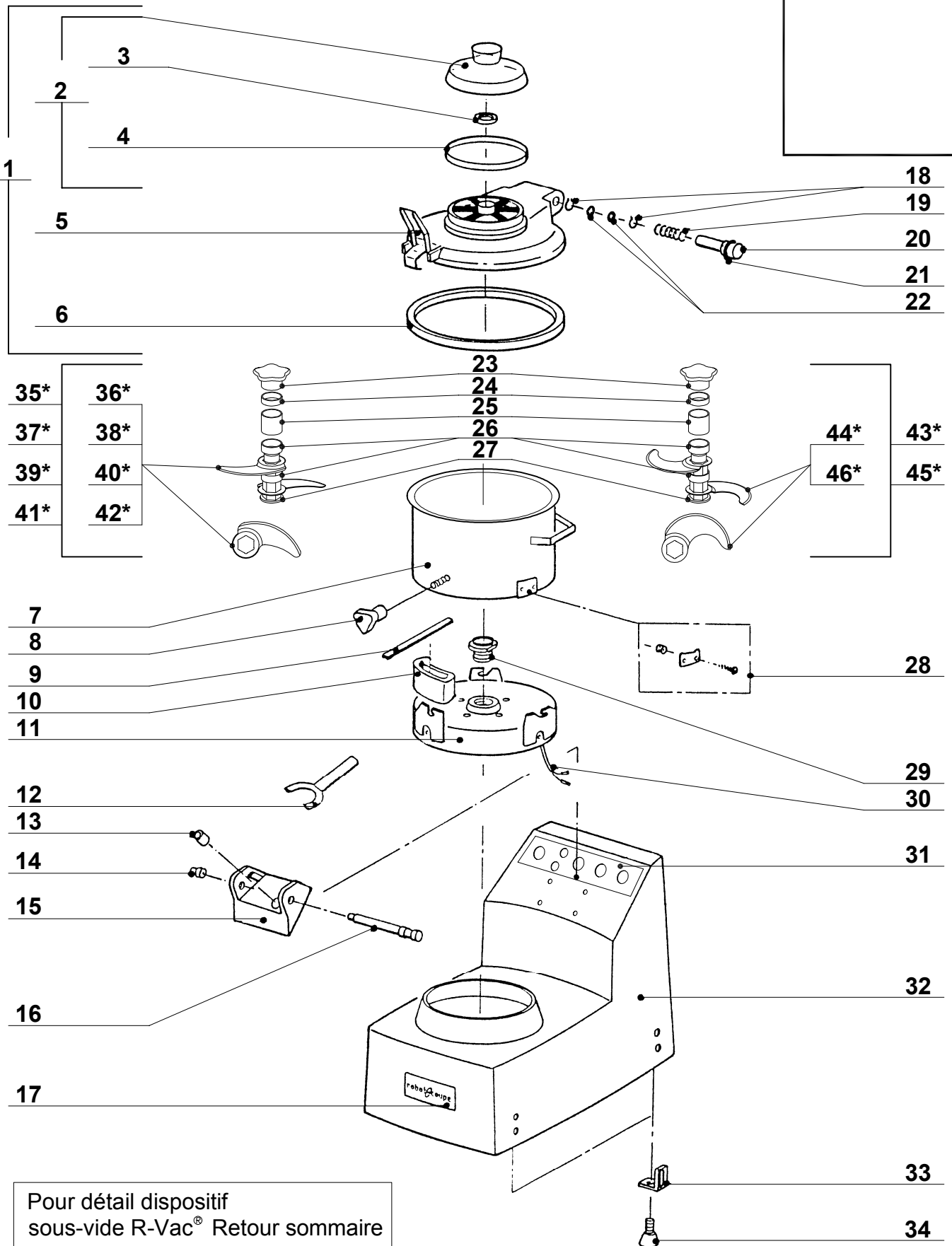
INDEX	REF.	DESIGNATION	Pricelist in : EUR
1	29270	R10 (D) SAFETY SWITCH ASS	62,65
2	505252	CRISTAL LAMP	7,70
3	502788	GREEN LAMP	9,05
4	500556	R10 ROTARY SWITCH HANDLE	14,80
5	500321	RED KNOB	32,90
6	500322	GREEN KNOB	32,90
7	101010	ACCESS FLAP DOOR SEAL	16,65
8	100898	ACCESS FLAP DOOR	37,40
9	515515	CL60 CABLE GROMMET	3,45
10	502067	POWER CORD	29,95



## R 10 "D" Serie 5

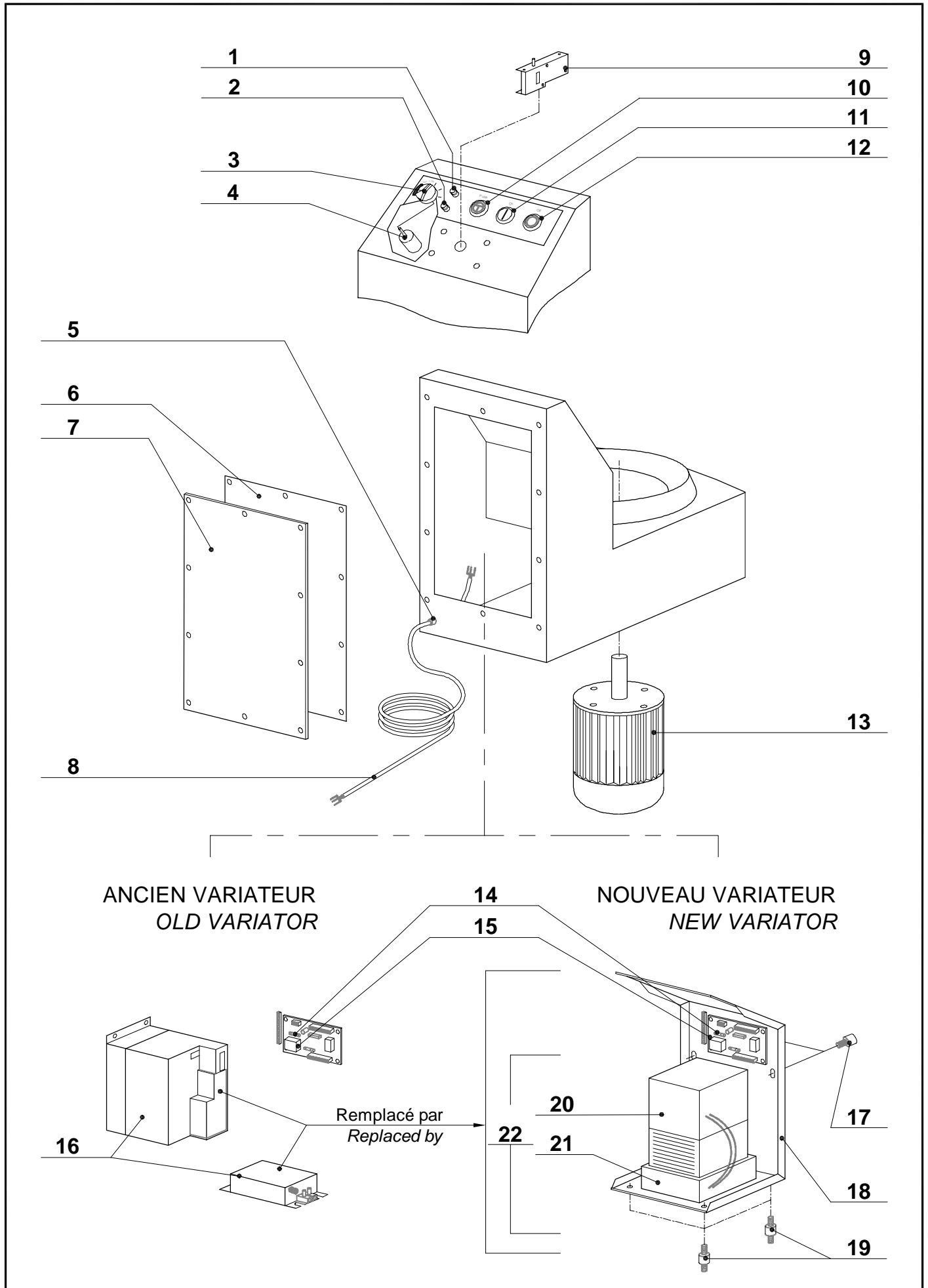
Pricelist in : EUR

N°	M	Voltage	A	B	C	
21080	301054 948,40	230-400 / 50 / 3	507650 76,65	500550 183,10	500670 117,25	
21081	301057 807,45	400 / 50 / 3	507650 76,65	502637 107,65	500536 78,20	
21083	301055 884,30	220 / 60 / 3	503888 54,45	502637 107,65	500670 117,25	
21084	301070 807,45	380 / 60 / 3	502389 Contact us	502637 107,65	501816 111,35	

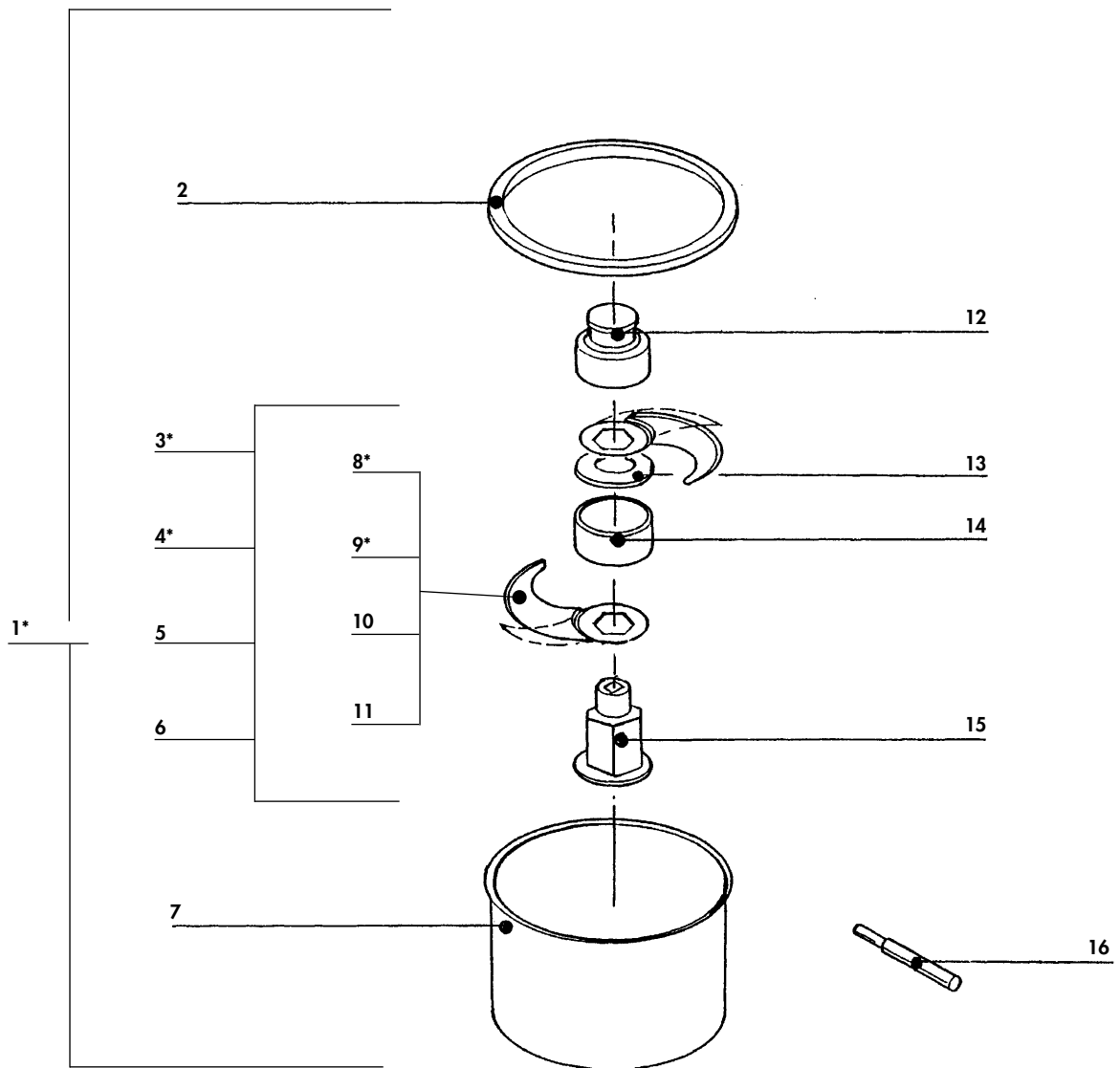


Pour détail dispositif  
sous-vide R-Vac® Retour sommaire  
*For vacuum adaptation  
Kit R-Vac® Return to the summary*

INDEX	REF.	DESIGNATION	Pricelist in : EUR
1	29474	R20 LID ASSEMBLY	512,45
2	29108	R10 LID COVER	41,05
3	502639	R10 LID CENTRE SEAL	1,85
4	500907	R10 LID COVER SEAL	7,55
5	59050	R10 LID LATCH ASS N/S	85,50
6	117641	R10/R20 (D) LID SEAL	38,55
7	29248	BOWL ASS	551,10
8	100983	R10 BOWL KNOB	19,35
9	101236	KEY	6,35
10	101234	R10/20 BLADE LOCK	4,70
11	100806	R10 MOTOR SUPPORT	182,00
12	101930	SOCKET KEY	29,40
13	101315	R10a SAFETY SOCKET	4,75
14	117645	R10D HINGE BUSH	2,00
15	29475	R10D HINGE BRACKET	79,50
16	29112	R10 HINGE PIN	25,65
17	400377	FRONT PLATE R10 V.V.	5,95
18	502510	RETAINING RING	2,90
19	117644	R10D LID HINGE SPRING	30,20
20	29473	LID SPINDLE ASS	80,80
21	502508	SEAL NAPN	12,10
22	502509	X RING	2,50
23	100946	R10 BLADE SHAFT CAP	30,80
24	100848	R10 BLADE SPACER-NYLON	16,00
25	101195	R20 BLADE SPACER 50MM	22,55
26	100793	R10 20MM BLADE SPACER	23,35
27	101967	R10C BLADE SHAFT SQUARE	210,00
28	29114	R10 BOWL STABILISER PLATE	9,80
29	29068	R10 MOTOR SEAL/SOCKET ASSEMBLY	61,60
30	29241	R10a REED SWITCH ASSEMBLY	9,75
31	400315	R10E O/O/P FRONT PLATE	8,70
32	39100	R10D VV BASE ASSEMBLY	578,95
33	107613	R10 FOOT BRACKET	6,50
34	100790	R10 RUBBER FOOT	10,30
35	27088	R10C BLADE ASSEMBLY-FLAT SQ SHAFT	Contact us
36	100783	R10 BLADE-FLAT EDGE	Contact us
37	27089	R10 BLADE ASSEMBLY-SERRATED SQUARE	Contact us
38	100823	R10 BLADE-SERRATED EDGE	Contact us
39	27090	STRAIGHT BLADE 2 mm	Contact us
40	100853	BLADE	Contact us
41	27091	SERRATED BLADE 2 mm	Contact us
42	100854	BLADE	Contact us
43	27234	STRAIGHT BLADE ASSY 3MM CR	See Price list
44	119166	R10 STRAIGHT BLADE 3MM CR	See Price list
45	27235	SLICER COOKED POTATOES 6	See Price list
46	119167	R10 SERRATED BLADE 3MM CR	See Price list

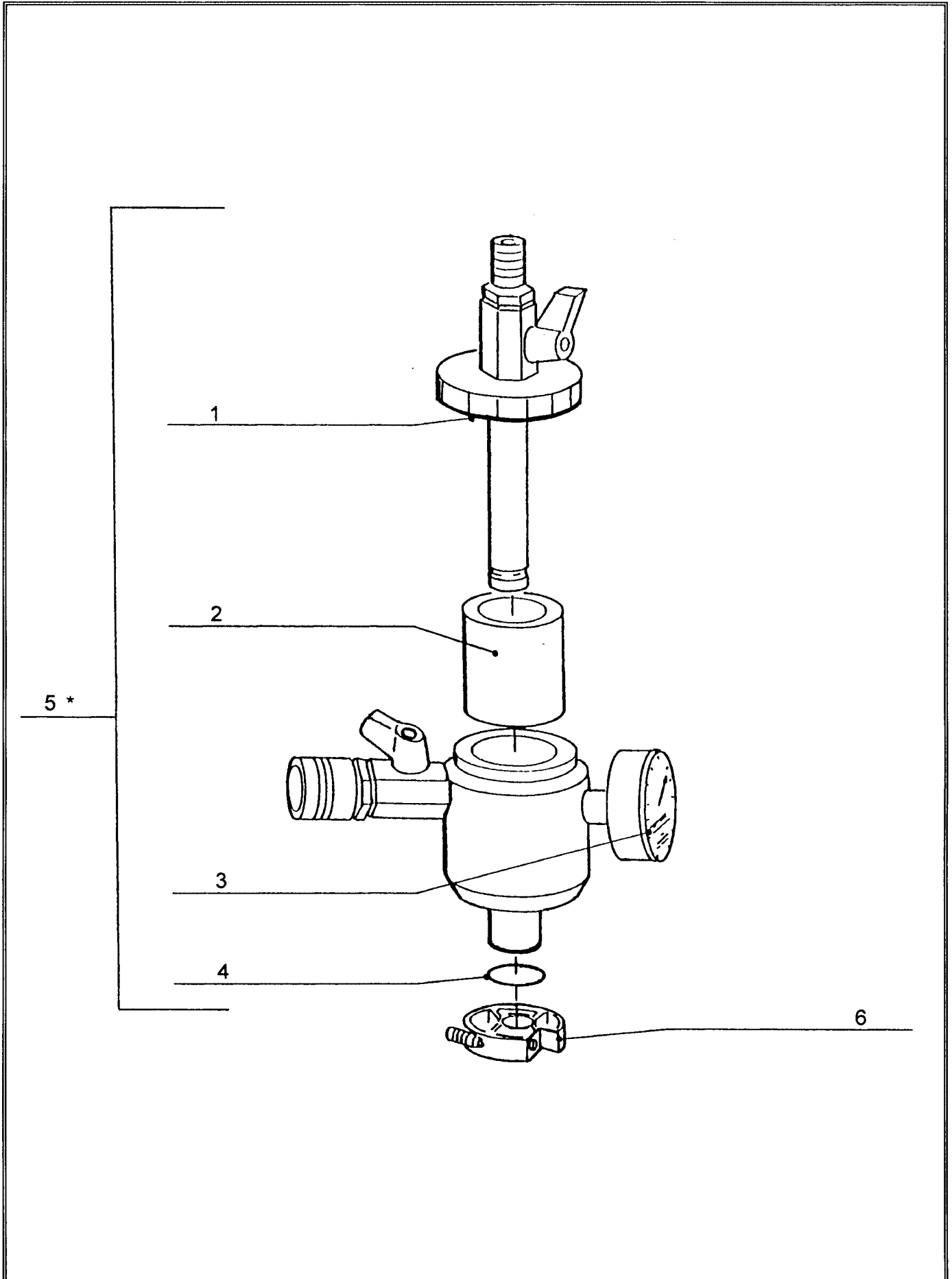


INDEX	REF.	DESIGNATION	Pricelist in : EUR
1	500520	R10 CLEAR INDICATOR	6,75
2	500518	R10 GREEN INDICATOR	6,75
3	501006	BLIXER 4 TIMER KNOB	1,50
4	501293	R10 V.V ASSEMBLED POTENTIOMETER	41,25
5	501773	WIRE DUCT	4,40
6	100929	R10VV CHIMNEY PLATE JOINT	17,76
7	100928	R10 VV CHIMNEY PLATE	39,91
8	503719	R10D/R20D VV POWER CORD	45,50
9	29262	R10a SAFTEY SWITCH ASSEMBLY	62,65
10	500301	BLACK KNOB	31,85
11	500322	GREEN KNOB	32,90
12	500321	RED KNOB	32,90
13	301056	MOTOR R10-C VV 220/50/3	884,30
14	504000	FUSIBLE VERRE 5X20 200MAT	1,48
15	29109	R10VV 220/240 CIRCUIT BOARD	74,50
16	29916	KIT VARIATOR R10D VV	1 407,70
17	502876	ABSORBER	7,60
18	103716	R10DVV VARIAT SUPP BRACKET	83,40
19	514778	R10 SHOCK ABSORBER	9,30
20	103710	R10D VV VARIATOR	915,00
21	103711	R10D VV VARIATOR FILTER	108,65
22	103712	R10D VV VARIATOR+FILTER	1 019,15





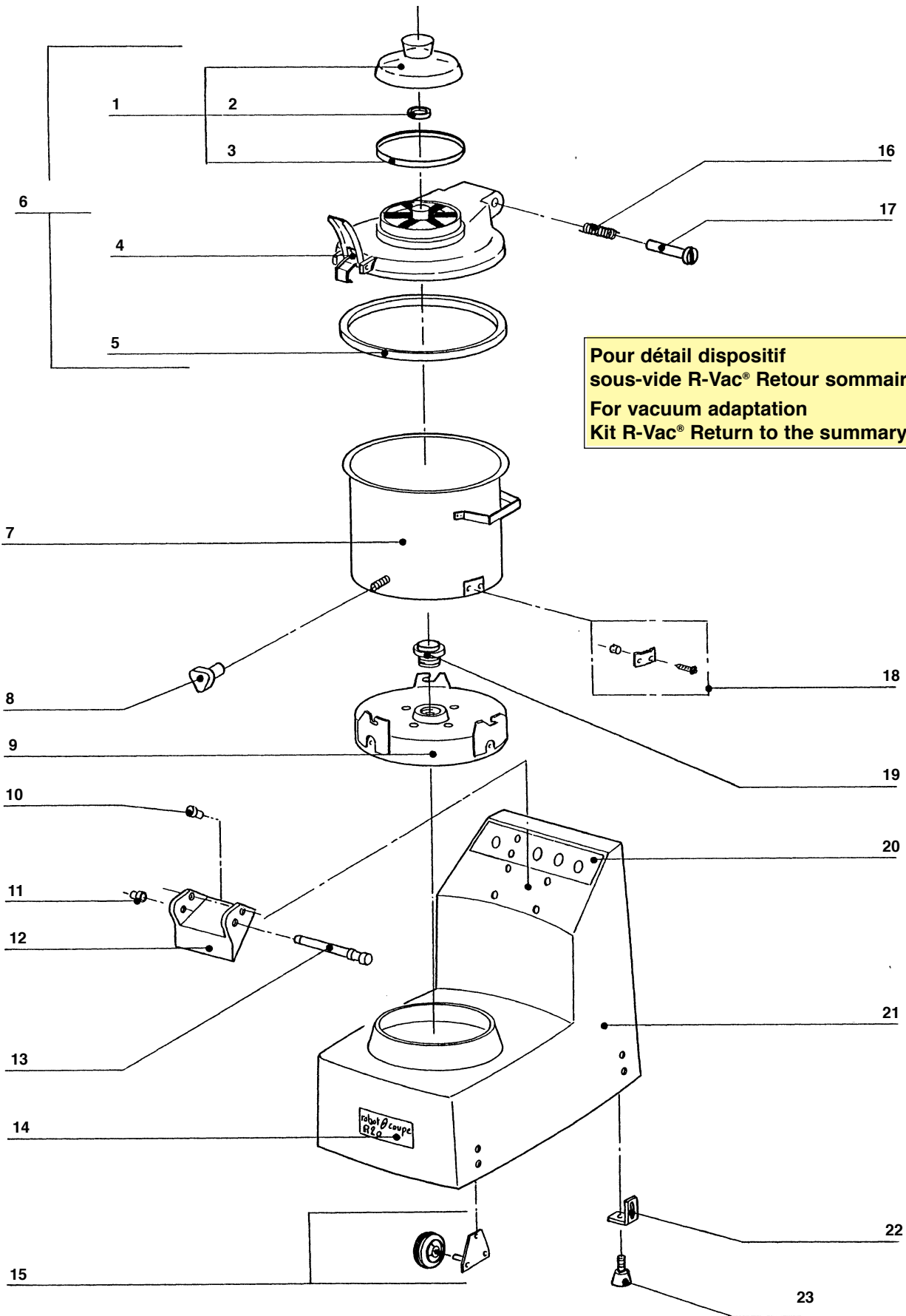
INDEX	REF.	DESIGNATION	Pricelist in : EUR
1	27108	R8/R10 INSERT BOWL KIT	See Price list
2	117221	R8 MINI BOWL SEAL	19,60
3	27106	R8/R10 INSERT BOWL BLADE FLAT	See Price list
4	27107	SERRATED BLADE KNIFE CR 3.5	See Price list
5	27104	STRAIGHT KNIFE D (3,5 L)	Contact us
6	27105	SERRATED KNIFE D (3,5 L)	Contact us
7	101815	BOWL 3,5 L	358,15
8	101800	STRAIGHT BLADE CR 3.5 R8	Contact us
9	101801	SERRATED BLADE CR 3.5 R8	Contact us
10	101798	BLADE	Contact us
11	101799	BLADE	Contact us
12	101804	R8 MINI BOWL BLADE CAP	65,15
13	101846	WASHER	2,70
14	101806	R8 MINI BOWL BLADE COLLAR	5,55
15	101802	BLADE SUPPORT (3,5 L)	82,50
16	101845	R602/VV BLADE TOOL	6,15



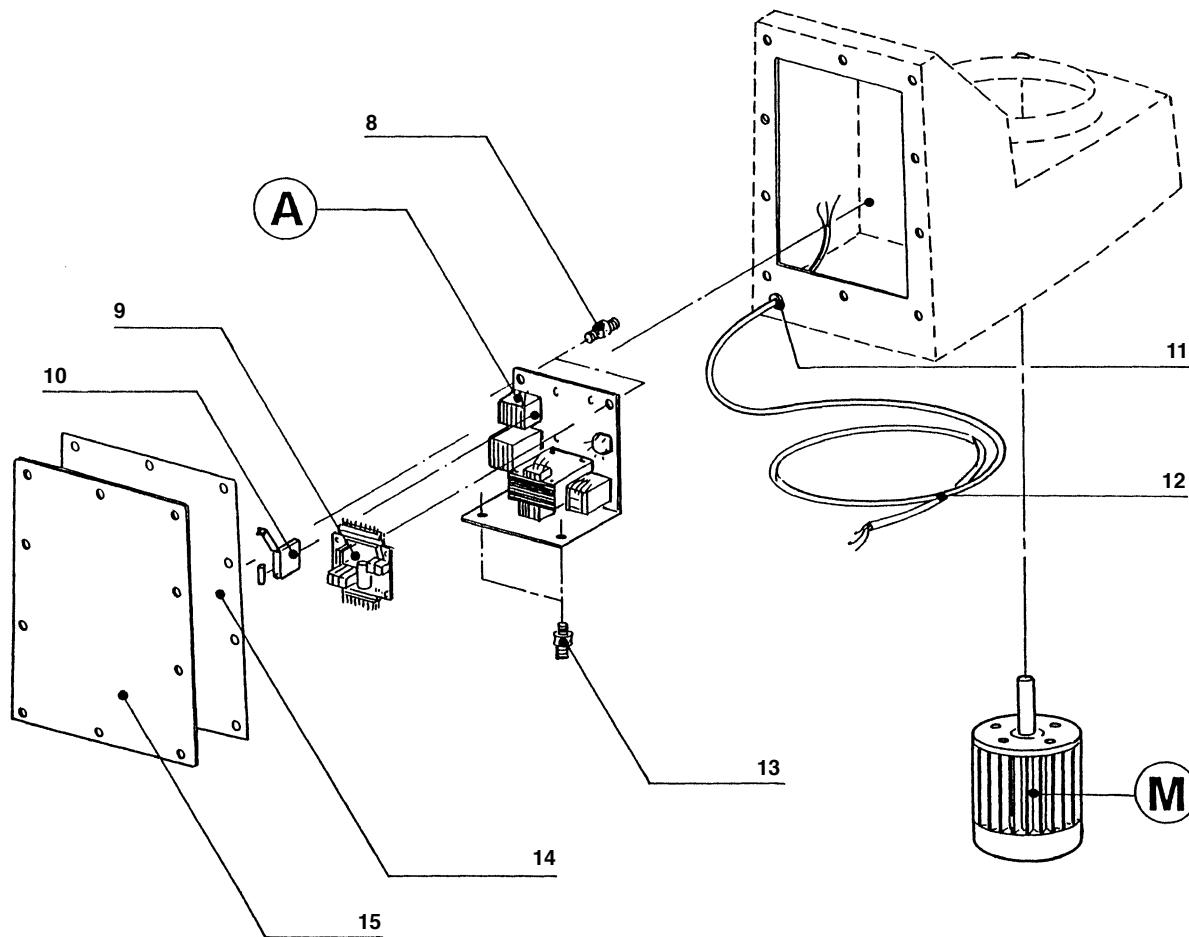
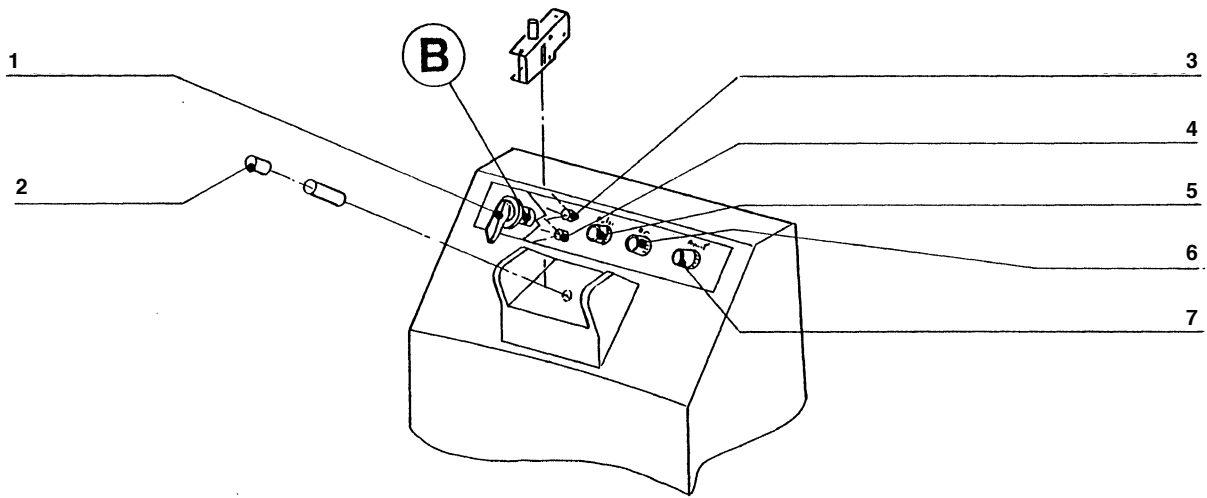
**robot coupe®**

**R-Vac R 8 / R10**

INDEX	REF.	DESIGNATION	Pricelist in : EUR
1	500545	VACUM SEAL	1,80
2	500547	FILTRE	93,25
3	500548	MANOMETER	180,80
4	500546	VACUM SEAL	2,40
5	29076	VCM VACUUM KIT	See Price list
6	29174	ADAPTATOR NUT	107,45



INDEX	REF.	DESIGNATION	Pricelist in : EUR
1	29108	R10 LID COVER	41,05
2	502639	R10 LID CENTRE SEAL	1,85
3	500907	R10 LID COVER SEAL	7,55
4	59050	R10 LID LATCH ASS N/S	85,50
5	100820	R10 LID SEAL	38,55
6	59054	R10 LID ASSEMBLY O/S	512,45
7	59057	R20 BOWL S/S	683,55
8	100983	R10 BOWL KNOB	19,35
9	101176	R20D MOTOR SUPPORT	292,95
10	100818	R10 LID STOP	6,25
11	105875	R25B HINGE BUSH	2,00
12	29091	R10 HINGE BRACKET	79,55
13	29112	R10 HINGE PIN	25,65
14	400904	FRONT PLATE	10,30
15	59455	R25B WHEEL & BRACKET	55,45
16	100798	R10 LID HINGE SPRING	38,55
17	100799	R10 LID HINGE	80,80
18	29114	R10 BOWL STABILISER PLATE	9,80
19	29068	R10 MOTOR SEAL/SOCKET ASSEMBLY	61,60
20	400905	R20 CONTROL PANEL PLATE	11,10
21	59051	BASE ASS	737,20
22	107613	R10 FOOT BRACKET	6,50
23	116798	R60B FOOT	9,25



- (A)** ELECTRIC CIRCUIT BOARD
- (B)** R10 ROTARY SWITCH
- (M)** MOTOR

INDEX	REF.	DESIGNATION	Pricelist in : EUR
1	500556	R10 ROTARY SWITCH HANDLE	14,80
2	29093	R10 PROXIMITY SWITCH	146,20
3	500520	R10 CLEAR INDICATOR	6,75
4	500518	R10 GREEN INDICATOR	6,75
5	500301	BLACK KNOB	31,85
6	500322	GREEN KNOB	32,90
7	500321	RED KNOB	32,90
8	502876	ABSORBER	7,60
9	29070	R10 PCB	127,05
10	29165	FUSE ASS	24,25
11	118822	WIRE DUCT	6,50
12	500566	POWER CORD	47,30
13	514778	R10 SHOCK ABSORBER	9,30
14	101179	ACCESS FLAP DOOR SEAL	23,50
15	101177	ACCESS FLAP DOOR	50,70

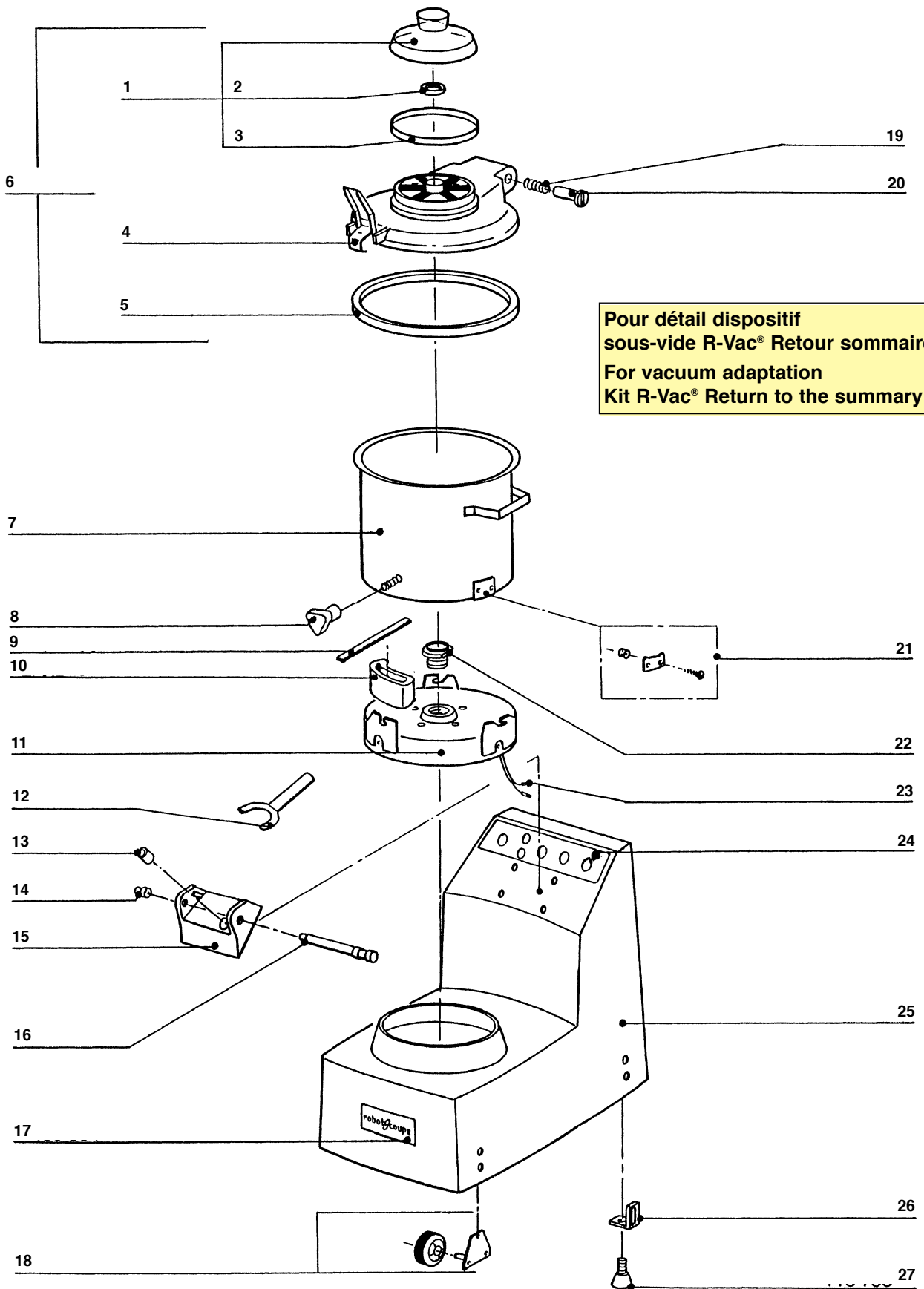


R20 / R20 Sous-Vide

Pricelist in : EUR

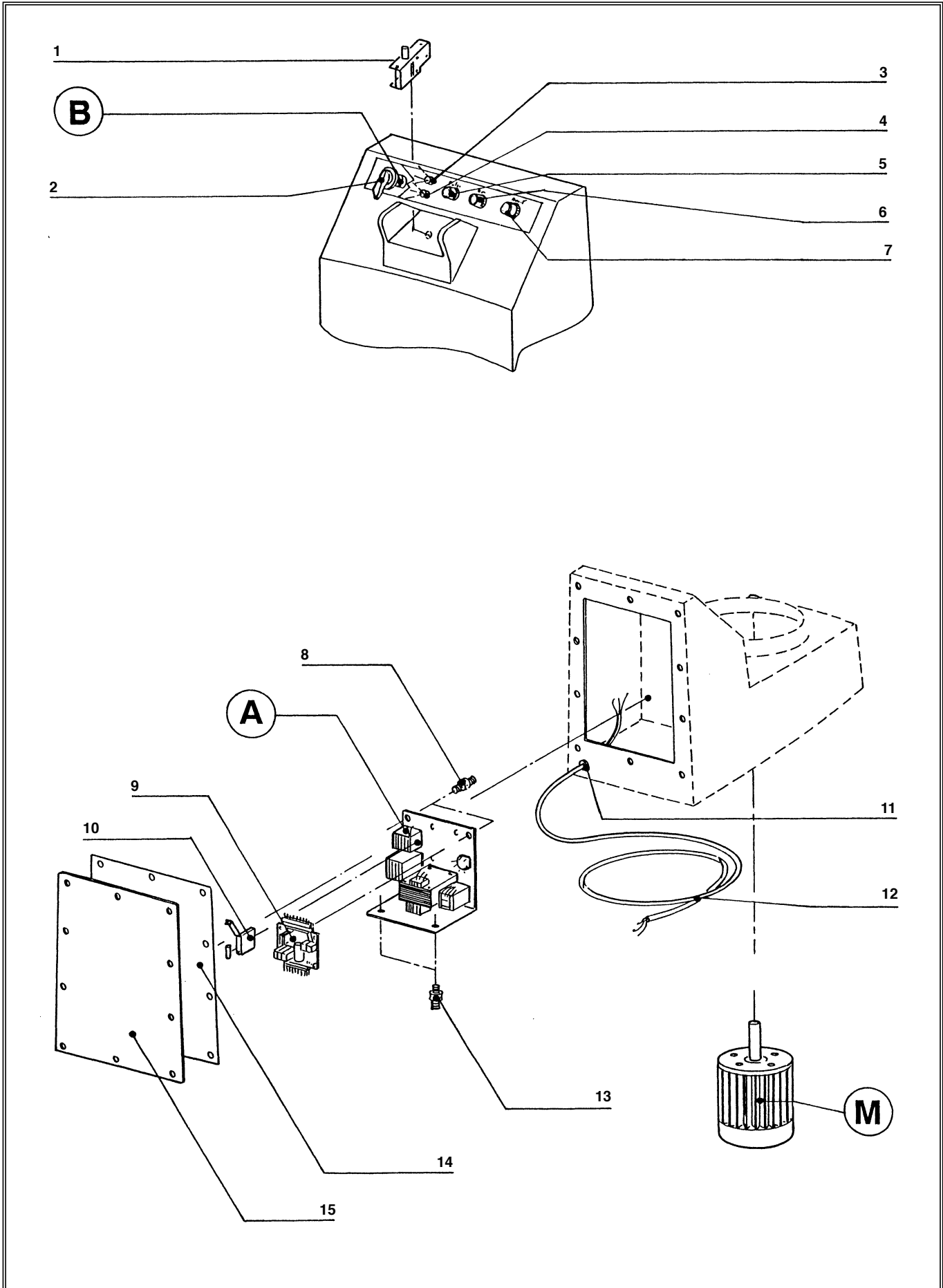
N°	M	Voltage	A	B	
51001	302066 1 025,00	380 / 50 / 3	59046 805,60	502637 107,65	
51002	302067 1 149,70	220-380 / 50 / 3	59047 805,60	500550 183,10	
51003	302069 1 025,00	220 / 60 / 3	59047 805,60	502637 107,65	
51005SV R 20	302061 807,45	220/380 / 50 / 3	59047 805,60	500550 183,10	





Pour détail dispositif  
sous-vide R-Vac® Retour sommaire  
For vacuum adaptation  
Kit R-Vac® Return to the summary

INDEX	REF.	DESIGNATION	Pricelist in : EUR
1	29108	R10 LID COVER	41,05
2	502639	R10 LID CENTRE SEAL	1,85
3	500907	R10 LID COVER SEAL	7,55
4	59050	R10 LID LATCH ASS N/S	85,50
5	100820	R10 LID SEAL	38,55
6	59052	COMPLETE LID ASS	512,45
7	59057	R20 BOWL S/S	683,55
8	100983	R10 BOWL KNOB	19,35
9	101236	KEY	6,35
10	101234	R10/20 BLADE LOCK	4,70
11	101176	R20D MOTOR SUPPORT	292,95
12	101930	SOCKET KEY	29,40
13	101315	R10a SAFETY SOCKET	4,75
14	105875	R25B HINGE BUSH	2,00
15	29255	R10A HINGE BRACKET	79,55
16	29112	R10 HINGE PIN	25,65
17	400904	FRONT PLATE	10,30
18	59455	R25B WHEEL & BRACKET	55,45
19	100798	R10 LID HINGE SPRING	38,55
20	100799	R10 LID HINGE	80,80
21	29114	R10 BOWL STABILISER PLATE	9,80
22	29068	R10 MOTOR SEAL/SOCKET ASSEMBLY	61,60
23	29241	R10a REED SWITCH ASSEMBLY	9,75
24	400905	R20 CONTROL PANEL PLATE	11,10
25	59051	BASE ASS	737,20
26	107613	R10 FOOT BRACKET	6,50
27	116798	R60B FOOT	9,25



- (A)** ELECTRIC CIRCUIT BOARD
- (B)** R10 ROTARY SWITCH
- (M)** MOTOR

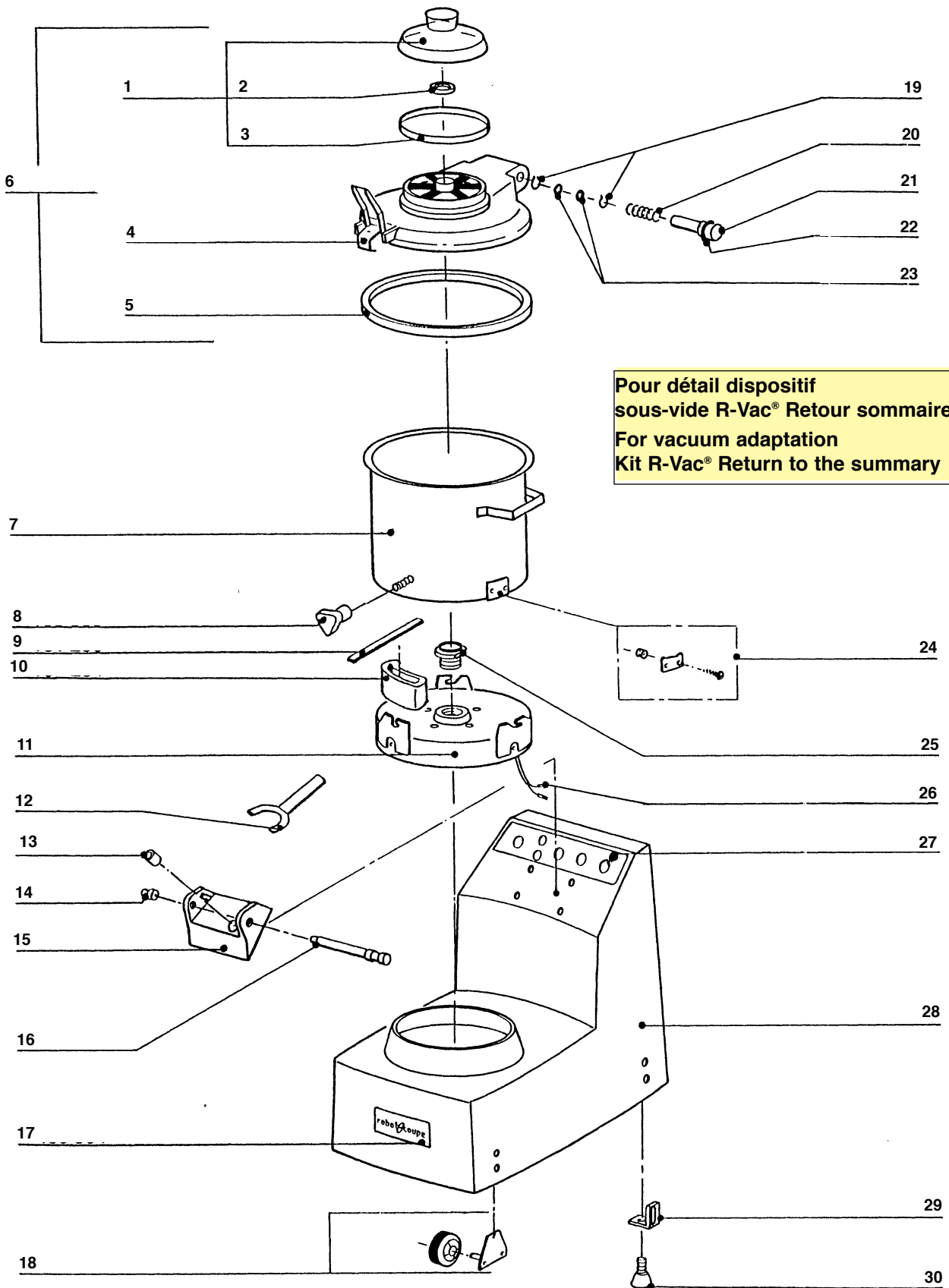
INDEX	REF.	DESIGNATION	Pricelist in : EUR
1	29262	R10a SAFTEY SWITCH ASSEMBLY	62,65
2	500556	R10 ROTARY SWITCH HANDLE	14,80
3	500520	R10 CLEAR INDICATOR	6,75
4	500518	R10 GREEN INDICATOR	6,75
5	500301	BLACK KNOB	31,85
6	500322	GREEN KNOB	32,90
7	500321	RED KNOB	32,90
8	502876	ABSORBER	7,60
9	29070	R10 PCB	127,05
10	29165	FUSE ASS	24,25
11	501773	WIRE DUCT	4,40
12	500566	POWER CORD	47,30
13	514778	R10 SHOCK ABSORBER	9,30
14	101179	ACCESS FLAP DOOR SEAL	23,50
15	101177	ACCESS FLAP DOOR	50,70



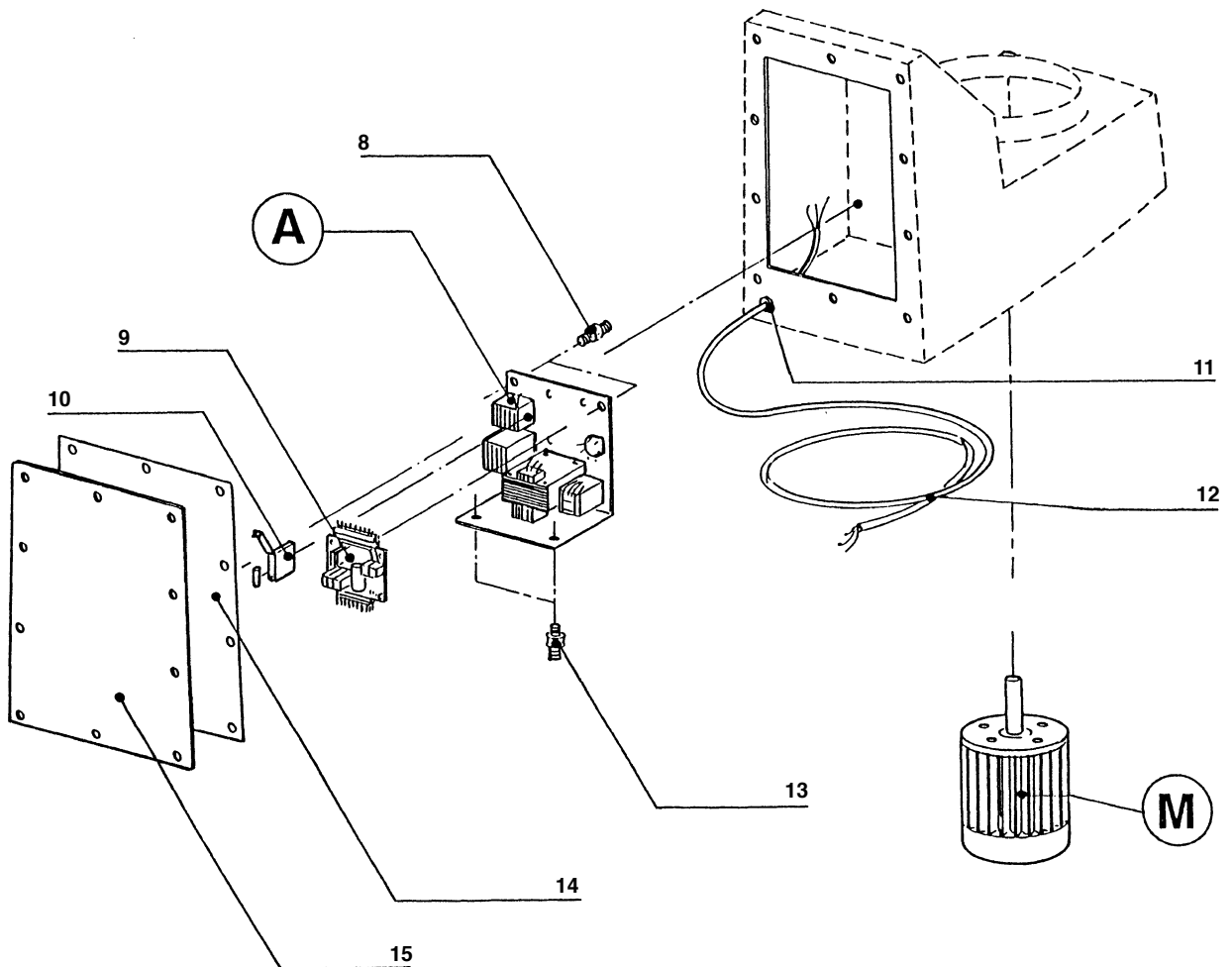
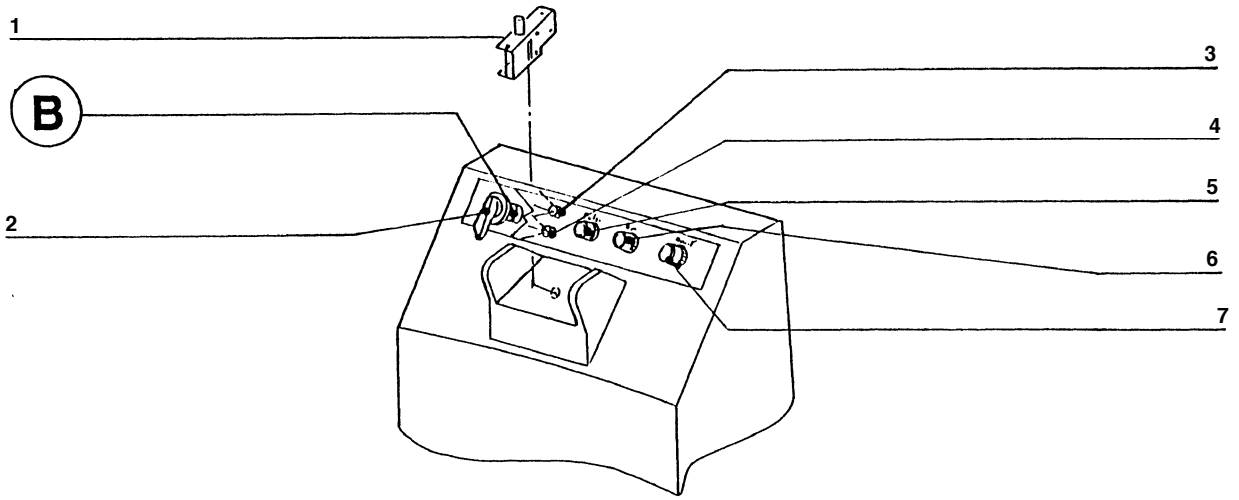
R20 "A" / R20 "A" Sous-Vide

Pricelist in : EUR

N°	M	Voltage	A	B	
51019	302066 1 025,00	380 / 50 / 3	59046 805,60	502637 107,65	
51021	302069 1 025,00	220 / 60 / 3	59047 805,60	502637 107,65	
51022	302067 1 149,70	220-380 / 50 / 3	59047 805,60	500550 183,10	
51023SV R 20	302067 1 149,70	220/380 / 50 / 3	59047 805,60	500550 183,10	



INDEX	REF.	DESIGNATION	Pricelist in : EUR
1	29108	R10 LID COVER	41,05
2	502639	R10 LID CENTRE SEAL	1,85
3	500907	R10 LID COVER SEAL	7,55
4	59050	R10 LID LATCH ASS N/S	85,50
5	117641	R10/R20 (D) LID SEAL	38,55
6	29474	R20 LID ASSEMBLY	512,45
7	59057	R20 BOWL S/S	683,55
8	100983	R10 BOWL KNOB	19,35
9	101236	KEY	6,35
10	101234	R10/20 BLADE LOCK	4,70
11	101176	R20D MOTOR SUPPORT	292,95
12	101930	SOCKET KEY	29,40
13	101315	R10a SAFETY SOCKET	4,75
14	117645	R10D HINGE BUSH	2,00
15	29475	R10D HINGE BRACKET	79,50
16	29112	R10 HINGE PIN	25,65
17	400904	FRONT PLATE	10,30
18	59455	R25B WHEEL & BRACKET	55,45
19	502510	RETAINING RING	2,90
20	117644	R10D LID HINGE SPRING	30,20
21	29473	LID SPINDLE ASS	80,80
22	502508	SEAL NAPN	12,10
23	502509	X RING	2,50
24	29114	R10 BOWL STABILISER PLATE	9,80
25	29068	R10 MOTOR SEAL/SOCKET ASSEMBLY	61,60
26	29241	R10a REED SWITCH ASSEMBLY	9,75
27	400905	R20 CONTROL PANEL PLATE	11,10
28	59051	BASE ASS	737,20
29	107613	R10 FOOT BRACKET	6,50
30	116798	R60B FOOT	9,25





- (A)** ELECTRIC CIRCUIT BOARD
- (B)** R10 ROTARY SWITCH
- (M)** MOTOR

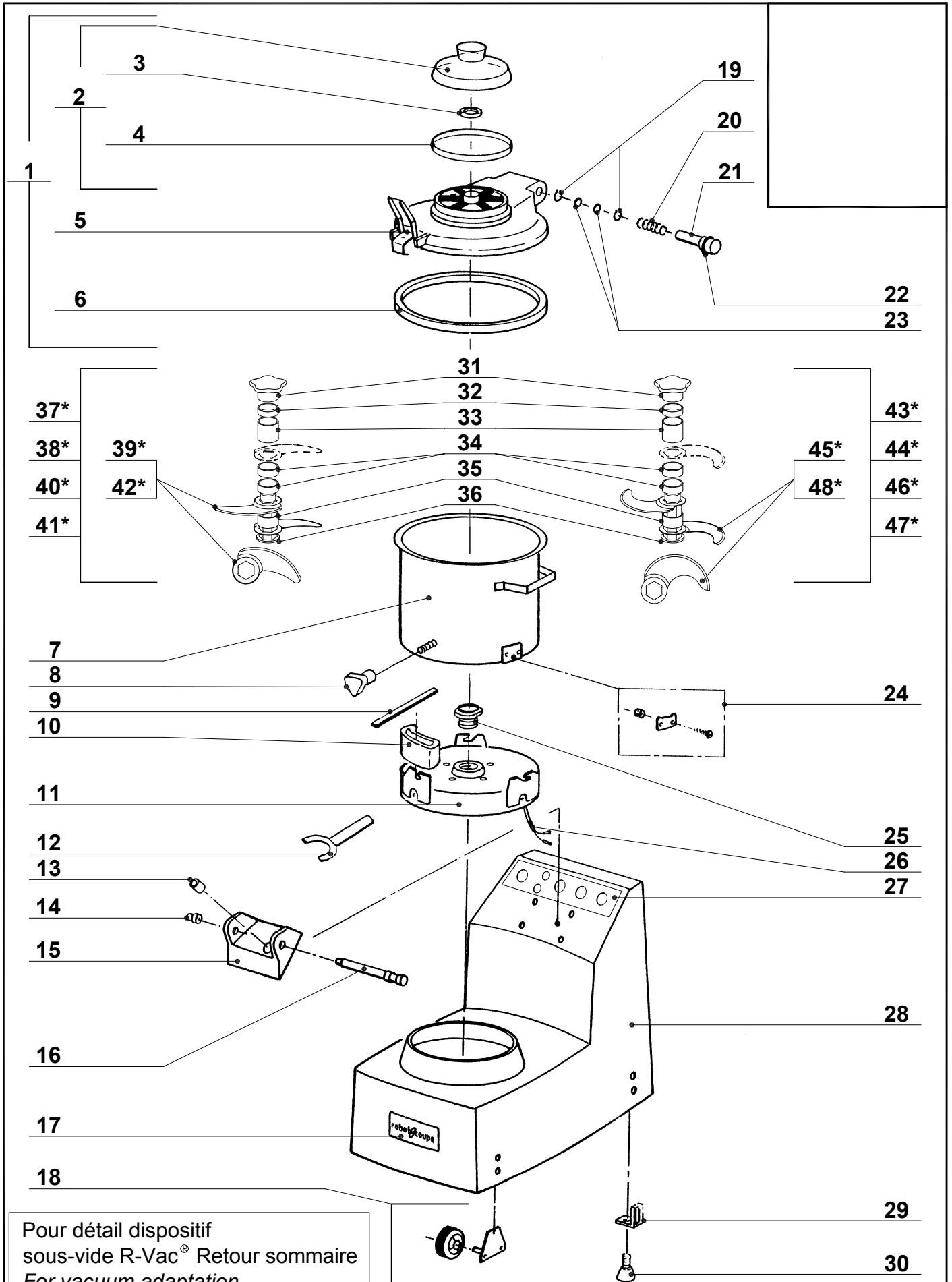
INDEX	REF.	DESIGNATION	Pricelist in : EUR
1	29262	R10a SAFTEY SWITCH ASSEMBLY	62,65
2	500556	R10 ROTARY SWITCH HANDLE	14,80
3	500520	R10 CLEAR INDICATOR	6,75
4	500518	R10 GREEN INDICATOR	6,75
5	500301	BLACK KNOB	31,85
6	500322	GREEN KNOB	32,90
7	500321	RED KNOB	32,90
8	502876	ABSORBER	7,60
9	29070	R10 PCB	127,05
10	29165	FUSE ASS	24,25
11	501773	WIRE DUCT	4,40
12	502686	POWER CORD	85,60
13	514778	R10 SHOCK ABSORBER	9,30
14	101179	ACCESS FLAP DOOR SEAL	23,50
15	101177	ACCESS FLAP DOOR	50,70



R20 "D" / R20 "D" Sous-Vide

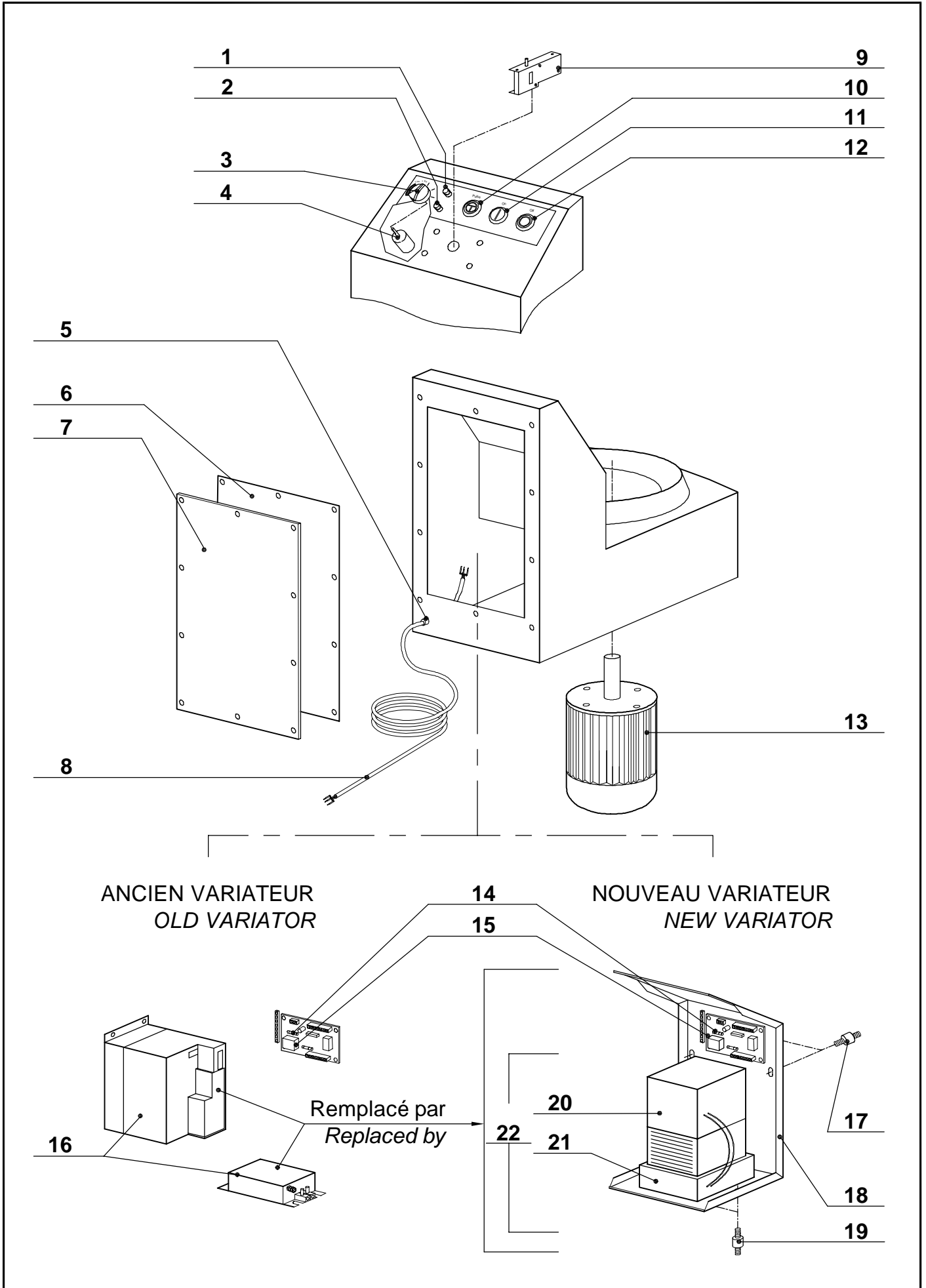
Pricelist in : EUR

N°	M	Voltage	A	B	
21099	302067 1 149,70	220-380 / 50 / 3	59047 805,60	500550 183,10	
21100	302066 1 025,00	380 / 50 / 3	59046 805,60	502637 107,65	
21102	302069 1 025,00	220 / 60 / 3	59047 805,60	502637 107,65	
21104SV R 20	302067 1 149,70	220/380 / 50 / 3	59047 805,60	500550 183,10	

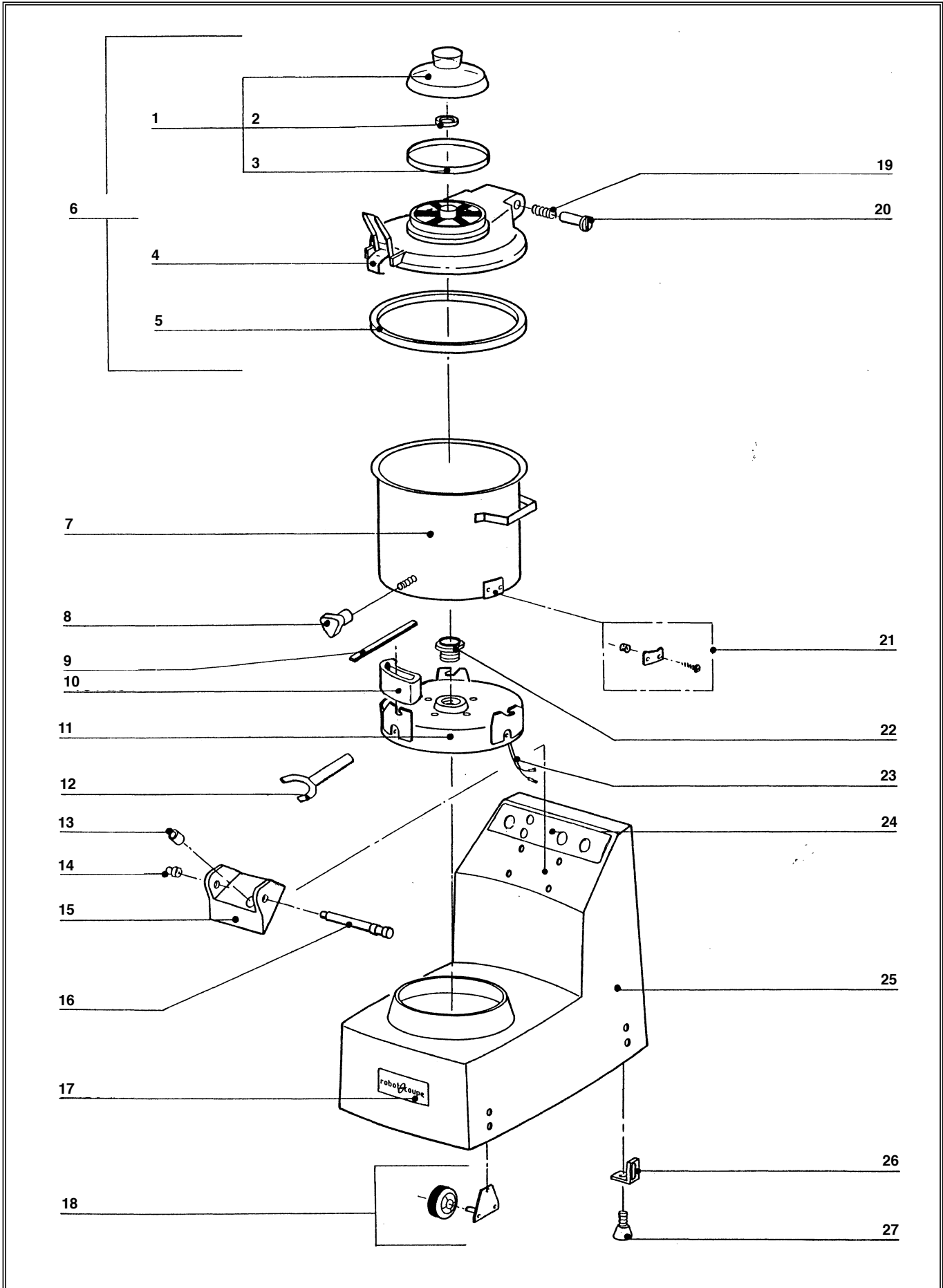


Pour détail dispositif  
sous-vide R-Vac® Retour sommaire  
For vacuum adaptation  
Kit R-Vac® Return to the summary

INDEX	REF.	DESIGNATION	Pricelist in : EUR
1	29474	R20 LID ASSEMBLY	512,45
2	29108	R10 LID COVER	41,05
3	502639	R10 LID CENTRE SEAL	1,85
4	500907	R10 LID COVER SEAL	7,55
5	59050	R10 LID LATCH ASS N/S	85,50
6	117641	R10/R20 (D) LID SEAL	38,55
7	59057	R20 BOWL S/S	683,55
8	100983	R10 BOWL KNOB	19,35
9	101236	KEY	6,35
10	101234	R10/20 BLADE LOCK	4,70
11	101176	R20D MOTOR SUPPORT	292,95
12	101930	SOCKET KEY	29,40
13	101315	R10a SAFETY SOCKET	4,75
14	117645	R10D HINGE BUSH	2,00
15	29475	R10D HINGE BRACKET	79,50
16	29112	R10 HINGE PIN	25,65
17	400719	FRONT PLATE R20 V.V.	6,43
18	59455	R25B WHEEL & BRACKET	55,45
19	502510	RETAINING RING	2,90
20	117644	R10D LID HINGE SPRING	30,20
21	29473	LID SPINDLE ASS	80,80
22	502508	SEAL NAPN	12,10
23	502509	X RING	2,50
24	29114	R10 BOWL STABILISER PLATE	9,80
25	29068	R10 MOTOR SEAL/SOCKET ASSEMBLY	61,60
26	29241	R10a REED SWITCH ASSEMBLY	9,75
27	400315	R10E O/O/P FRONT PLATE	8,70
28	59200	R20D VV BASE ASSEMBLY	753,45
29	107613	R10 FOOT BRACKET	6,50
30	100798	R10 LID HINGE SPRING	38,55
31	100946	R10 BLADE SHAFT CAP	30,80
32	100848	R10 BLADE SPACER-NYLON	16,00
33	101195	R20 BLADE SPACER 50MM	22,55
34	100792	R10 15MM BLADE SPACER	18,70
35	101206	RING	20,85
36	100794	R20/R10 BLADE SHAFT OVAL	210,00
37	57038	R20 FLAT (3) BLADE ASSEMBLY	Contact us
38	57040	R20/R10 BLADE ASSEMBLY-FLAT OVAL SHAFT	Contact us
39	100853	BLADE	Contact us
40	57039	SERRATED BLADE 3 BL	Contact us
41	57041	PERFOR BASKET 1.5MM C120	Contact us
42	100854	BLADE	Contact us
43	57054	STRAIGHT BLADE CR R20 3L	Contact us
44	57044	STRAIGHT BLADE CR R20 2L	Contact us
45	119166	R10 STRAIGHT BLADE 3MM CR	See Price list
46	57055	VCM WHEELS FRONT +2 BACK	Contact us
47	57045	SERRATED BLADE CR R20 2L	Contact us
48	119167	R10 SERRATED BLADE 3MM CR	See Price list

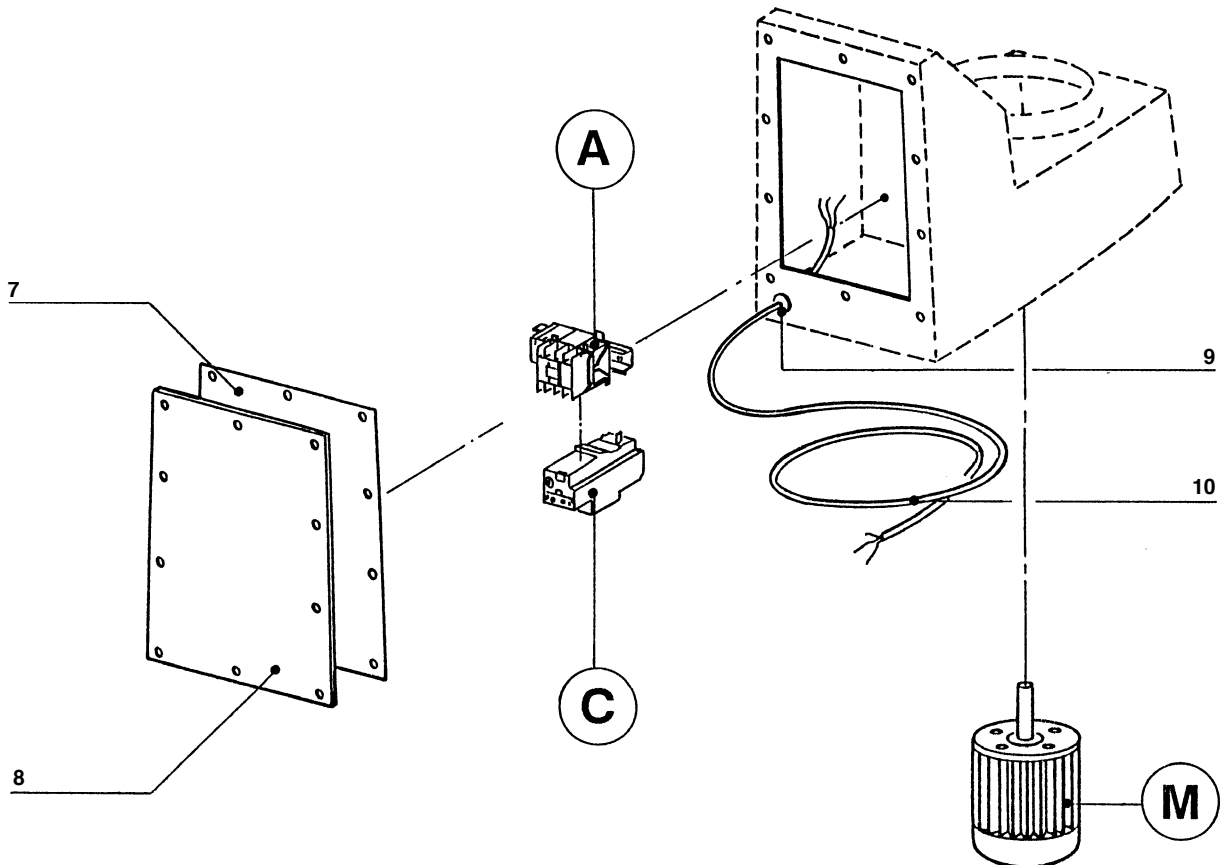
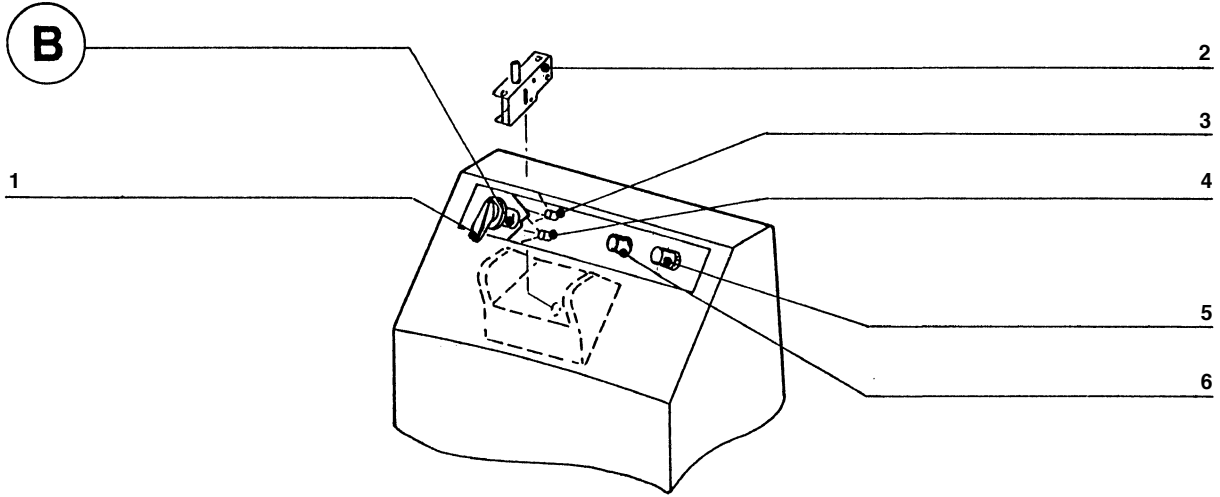


INDEX	REF.	DESIGNATION	Pricelist in : EUR
1	500520	R10 CLEAR INDICATOR	6,75
2	500518	R10 GREEN INDICATOR	6,75
3	501006	BLIXER 4 TIMER KNOB	1,50
4	501293	R10 V.V ASSEMBLED POTENTIOMETER	41,25
5	501773	WIRE DUCT	4,40
6	101179	ACCESS FLAP DOOR SEAL	23,50
7	101177	ACCESS FLAP DOOR	50,70
8	503719	R10D/R20D VV POWER CORD	45,50
9	29262	R10a SAFTEY SWITCH ASSEMBLY	62,65
10	500301	BLACK KNOB	31,85
11	500322	GREEN KNOB	32,90
12	500321	RED KNOB	32,90
13	301027	MOTOR R20E 220/380 50/3	1 207,15
14	504000	FUSIBLE VERRE 5X20 200MAT	1,48
15	29109	R10VV 220/240 CIRCUIT BOARD	74,50
16	29917	KIT VARIATOR R20D VV	1 559,75
17	502876	ABSORBER	7,60
18	103716	R10D VV VARIAT SUPP BRACKET	83,40
19	514778	R10 SHOCK ABSORBER	9,30
20	103713	R20D VV VARIATOR	1 074,20
21	103714	R20D VV VARIATOR FILTER	117,75
22	103715	R20D VV VARIATOR + FILTER	1 191,90



INDEX	REF.	DESIGNATION	Pricelist in : EUR
1	29108	R10 LID COVER	41,05
2	502639	R10 LID CENTRE SEAL	1,85
3	500907	R10 LID COVER SEAL	7,55
4	59050	R10 LID LATCH ASS N/S	85,50
5	100820	R10 LID SEAL	38,55
6	59052	COMPLETE LID ASS	512,45
7	59057	R20 BOWL S/S	683,55
8	100983	R10 BOWL KNOB	19,35
9	101236	KEY	6,35
10	101234	R10/20 BLADE LOCK	4,70
11	101176	R20D MOTOR SUPPORT	292,95
12	101930	SOCKET KEY	29,40
13	101315	R10a SAFETY SOCKET	4,75
14	105875	R25B HINGE BUSH	2,00
15	29255	R10A HINGE BRACKET	79,55
16	29112	R10 HINGE PIN	25,65
17	400968	FRONT PLATE	8,85
18	59455	R25B WHEEL & BRACKET	55,45
19	100798	R10 LID HINGE SPRING	38,55
20	100799	R10 LID HINGE	80,80
21	29114	R10 BOWL STABILISER PLATE	9,80
22	29068	R10 MOTOR SEAL/SOCKET ASSEMBLY	61,60
23	29241	R10a REED SWITCH ASSEMBLY	9,75
24	400714	CONTROL PANNEL PLATE	Contact us
25	59051	BASE ASS	737,20
26	107613	R10 FOOT BRACKET	6,50
27	116798	R60B FOOT	9,25





- (A)** CONTACTOR
- (B)** R10 ROTARY SWITCH
- (C)** 9/13 A THERMAL RELAY
- (M)** MOTOR

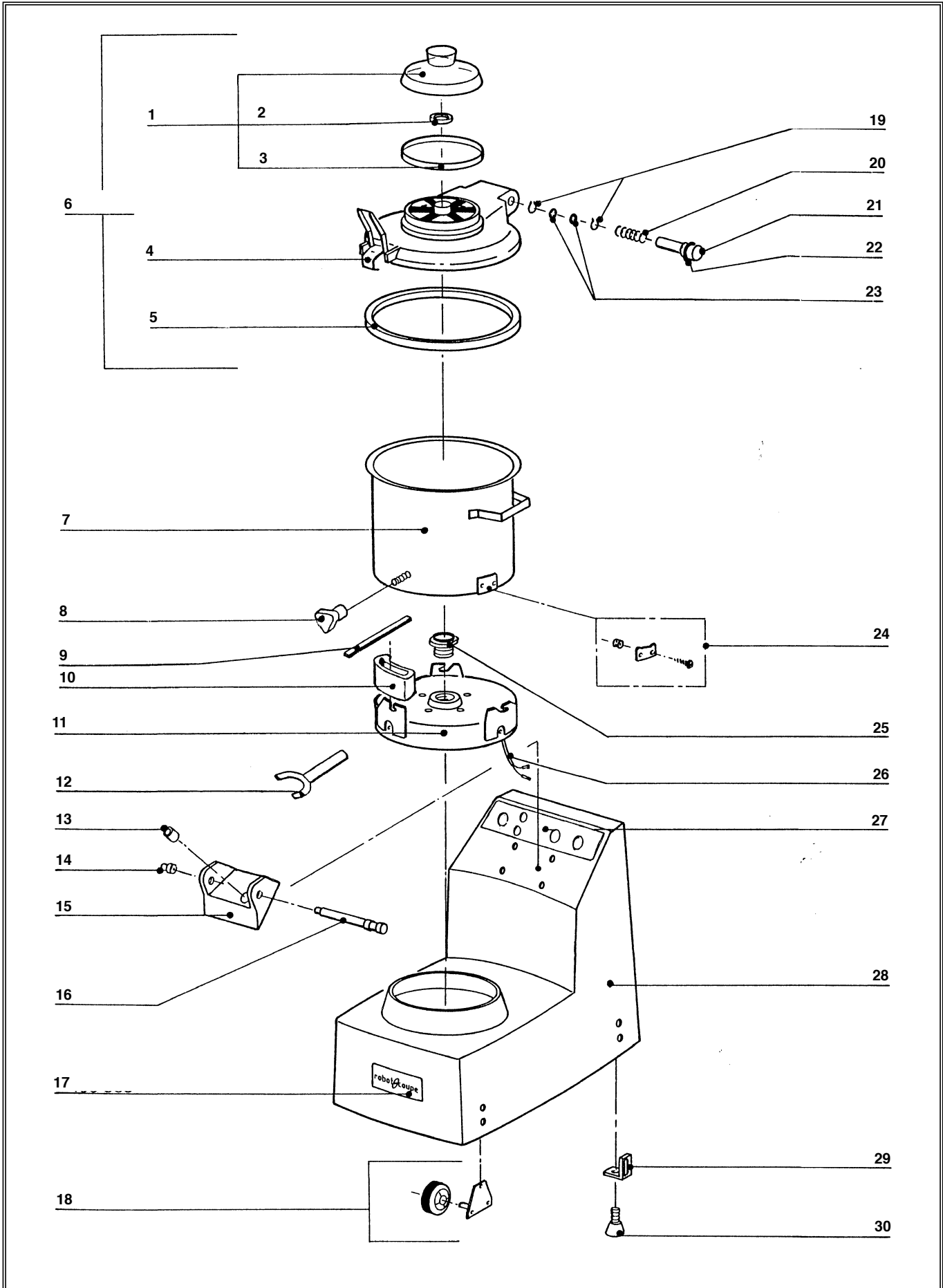
INDEX	REF.	DESIGNATION	Pricelist in : EUR
1	500556	R10 ROTARY SWITCH HANDLE	14,80
2	29270	R10 (D) SAFETY SWITCH ASS	62,65
3	505252	CRISTAL LAMP	7,70
4	502788	GREEN LAMP	9,05
5	500321	RED KNOB	32,90
6	500322	GREEN KNOB	32,90
7	101179	ACCESS FLAP DOOR SEAL	23,50
8	101177	ACCESS FLAP DOOR	50,70
9	501773	WIRE DUCT	4,40
10	500566	POWER CORD	47,30

**robot coupe®**

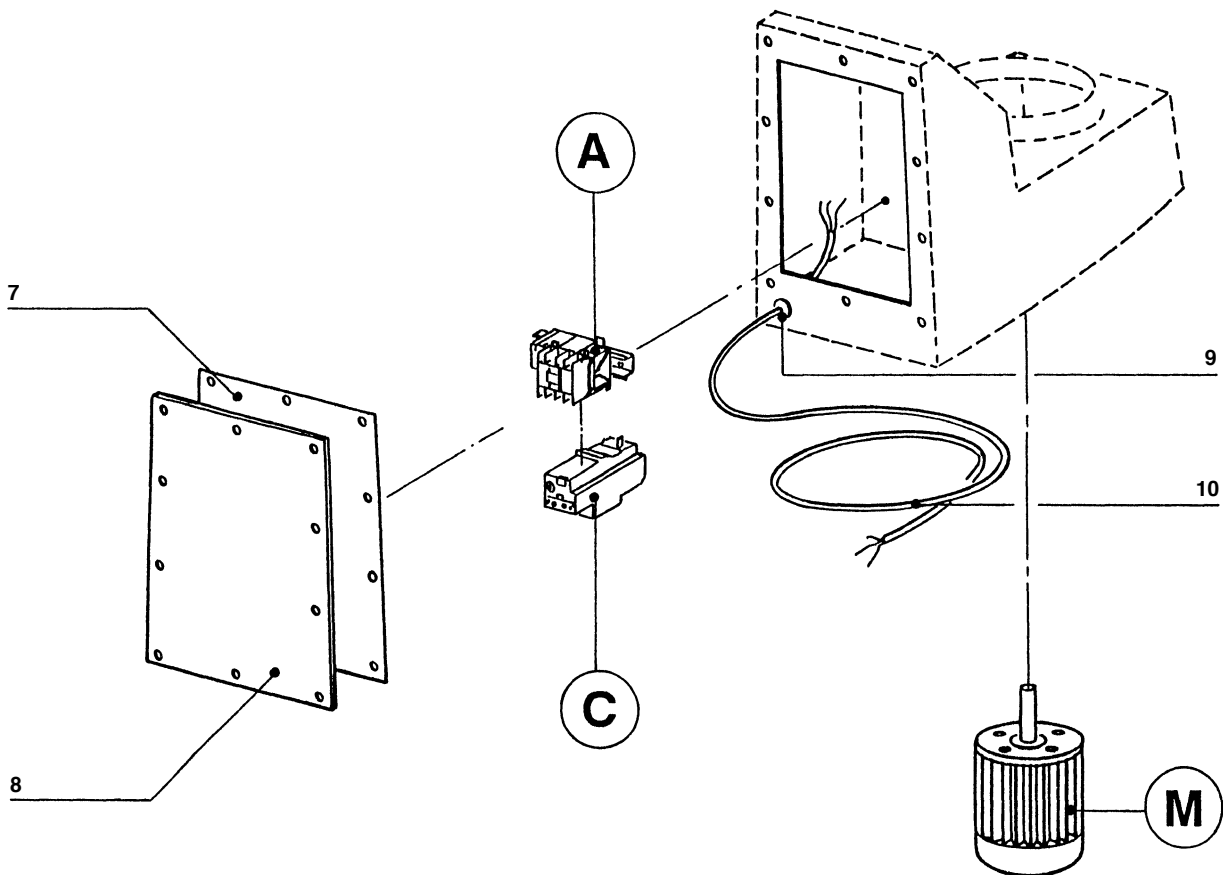
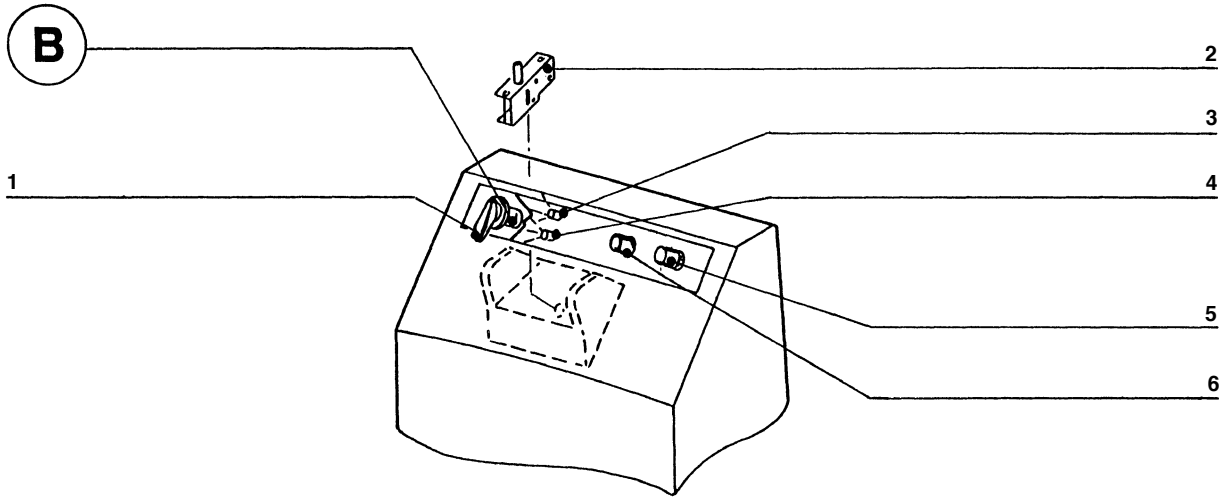
**R20 Série 5**

**Pricelist in : EUR**

N°	M	Voltage	A	B	C	
51006 R 20	302066 1 025,00	380 / 50 / 3	507639 127,50	502637 107,65	501145 100,95	
51013 R 20	302069 1 025,00	220 / 60 / 3	503899 123,15	502637 107,65	503965 91,20	
51014 R 20	302067 1 149,70	220/380 / 50 / 3	507639 127,50	500550 183,10	503965 91,20	
51015 R 20	301059 1 074,60	380 / 60 / 3	507639 127,50	502637 107,65	501145 100,95	



INDEX	REF.	DESIGNATION	Pricelist in : EUR
1	29108	R10 LID COVER	41,05
2	502639	R10 LID CENTRE SEAL	1,85
3	500907	R10 LID COVER SEAL	7,55
4	59050	R10 LID LATCH ASS N/S	85,50
5	117641	R10/R20 (D) LID SEAL	38,55
6	29474	R20 LID ASSEMBLY	512,45
7	59057	R20 BOWL S/S	683,55
8	100983	R10 BOWL KNOB	19,35
9	101236	KEY	6,35
10	101234	R10/20 BLADE LOCK	4,70
11	101176	R20D MOTOR SUPPORT	292,95
12	101930	SOCKET KEY	29,40
13	101315	R10a SAFETY SOCKET	4,75
14	117645	R10D HINGE BUSH	2,00
15	29475	R10D HINGE BRACKET	79,50
16	29112	R10 HINGE PIN	25,65
17	400968	FRONT PLATE	8,85
18	59455	R25B WHEEL & BRACKET	55,45
19	502510	RETAINING RING	2,90
20	117644	R10D LID HINGE SPRING	30,20
21	29473	LID SPINDLE ASS	80,80
22	502508	SEAL NAPN	12,10
23	502509	X RING	2,50
24	29114	R10 BOWL STABILISER PLATE	9,80
25	29068	R10 MOTOR SEAL/SOCKET ASSEMBLY	61,60
26	29241	R10a REED SWITCH ASSEMBLY	9,75
27	400714	CONTROL PANNEL PLATE	Contact us
28	59051	BASE ASS	737,20
29	107613	R10 FOOT BRACKET	6,50
30	116798	R60B FOOT	9,25



- (A)** CONTACTOR
- (B)** R10 ROTARY SWITCH
- (C)** 9/13 A THERMAL RELAY
- (M)** MOTOR

INDEX	REF.	DESIGNATION	Pricelist in : EUR
1	500556	R10 ROTARY SWITCH HANDLE	14,80
2	29270	R10 (D) SAFETY SWITCH ASS	62,65
3	505252	CRISTAL LAMP	7,70
4	502788	GREEN LAMP	9,05
5	500321	RED KNOB	32,90
6	500322	GREEN KNOB	32,90
7	101179	ACCESS FLAP DOOR SEAL	23,50
8	101177	ACCESS FLAP DOOR	50,70
9	501773	WIRE DUCT	4,40
10	502686	POWER CORD	85,60

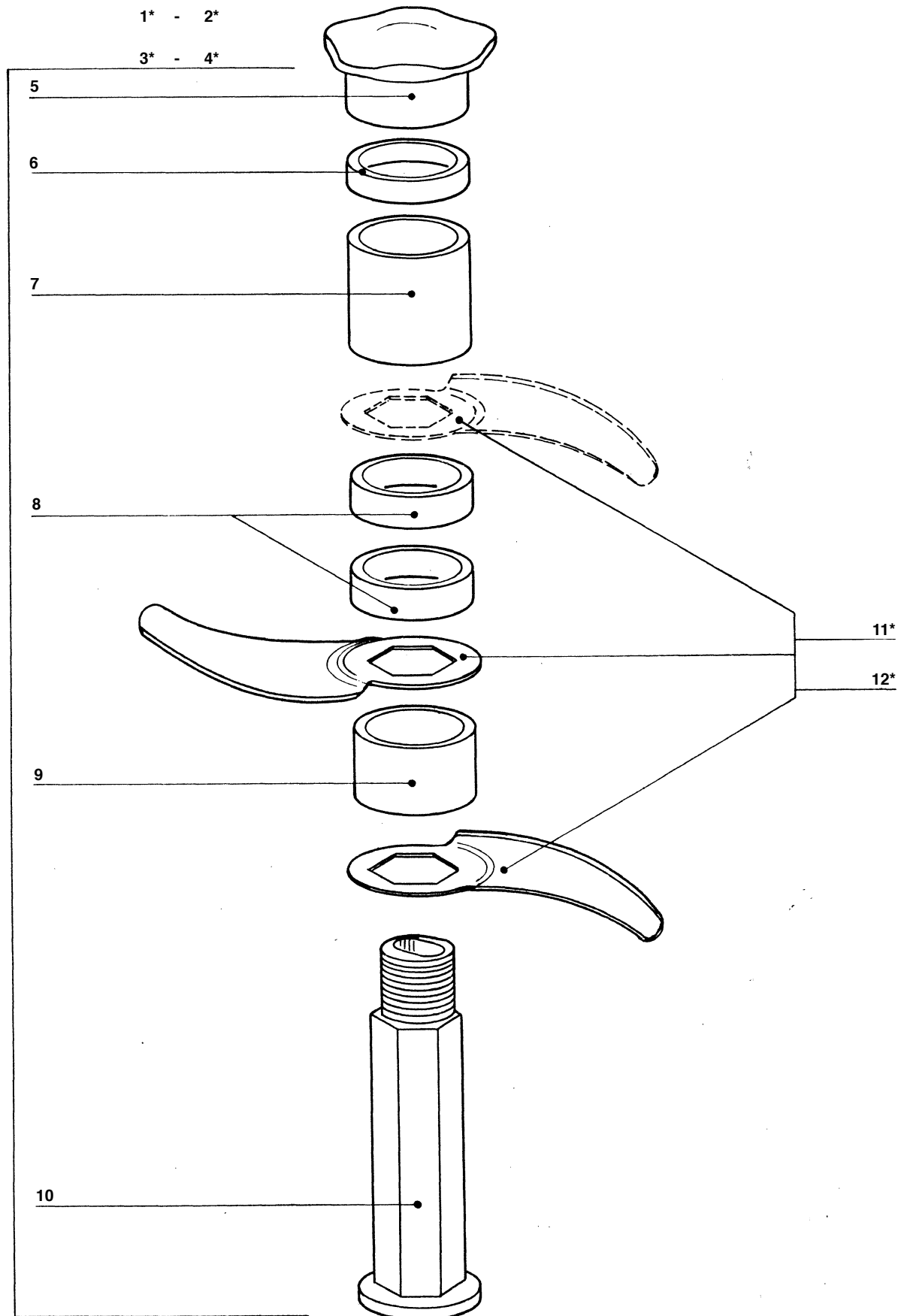
**robot coupe®**

**R20 "D" Série 5**

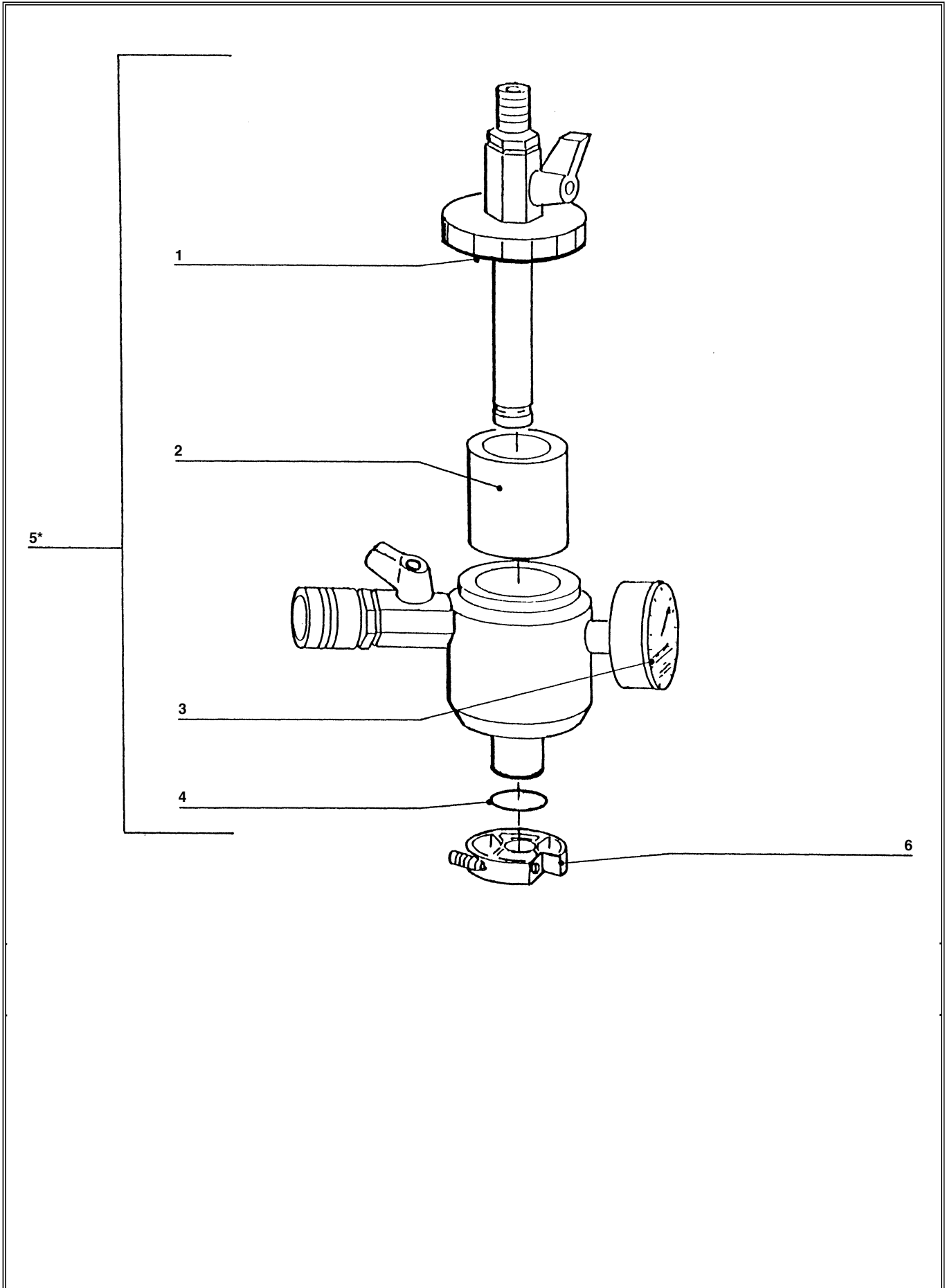
Pricelist in : EUR

N°	M	Voltage	A	B	C	
21088	302067 1 149,70	230/400 / 50 / 3	507639 127,50	500550 183,10	503965 91,20	
21089	302066 1 025,00	380 / 50 / 3	507639 127,50	502637 107,65	501145 100,95	
21091	302069 1 025,00	220 / 60 / 3	503899 123,15	502637 107,65	503965 91,20	
21092	301059 1 074,60	380 / 60 / 3	507639 127,50	502637 107,65	501145 100,95	





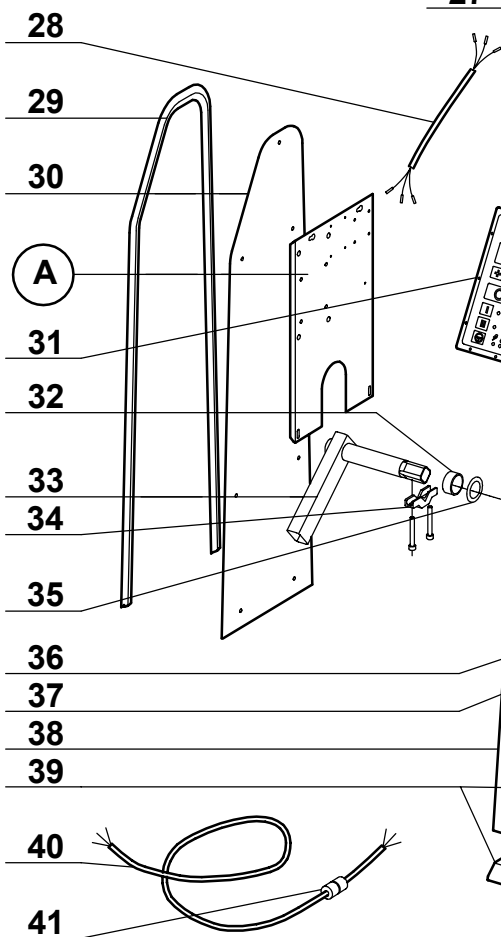
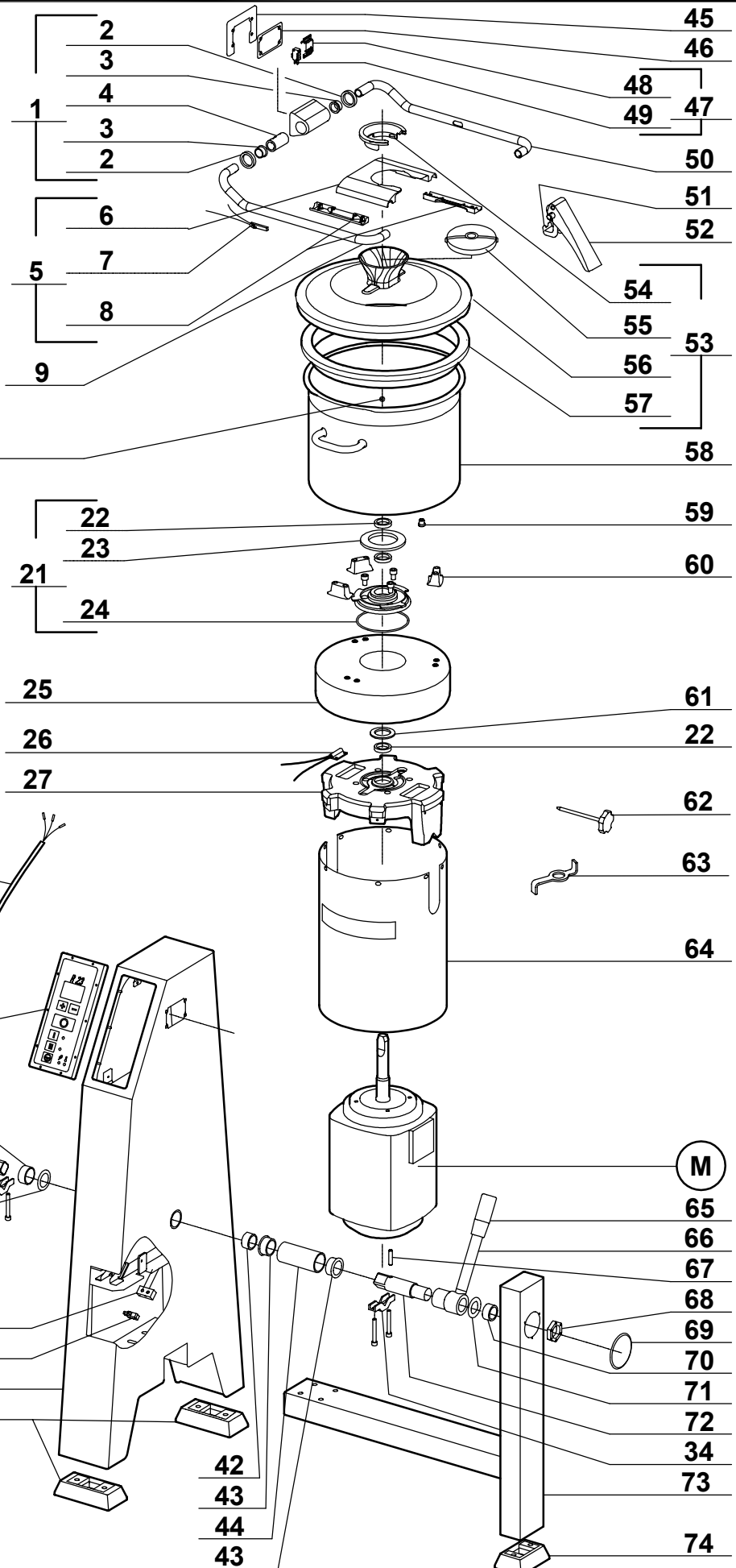
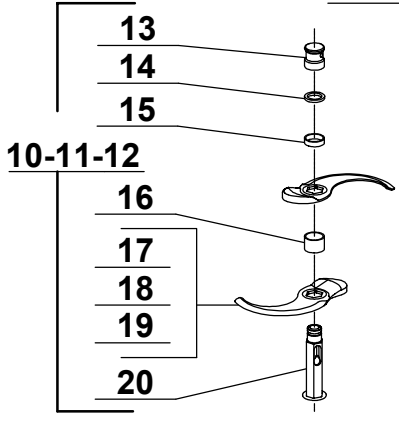
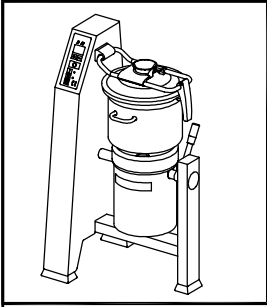
INDEX	REF.	DESIGNATION	Pricelist in : EUR
1	57038	R20 FLAT (3) BLADE ASSEMBLY	<a href="#">Contact us</a>
2	57039	SERRATED BLADE 3 BL	<a href="#">Contact us</a>
3	57040	R20/R10 BLADE ASSEMBLY-FLAT OVAL SHAFT	<a href="#">Contact us</a>
4	57041	PERFOR BASKET 1.5MM C120	<a href="#">Contact us</a>
5	100946	R10 BLADE SHAFT CAP	30,80
6	100848	R10 BLADE SPACER-NYLON	16,00
7	101195	R20 BLADE SPACER 50MM	22,55
8	100792	R10 15MM BLADE SPACER	18,70
9	101206	RING	20,85
10	100794	R20/R10 BLADE SHAFT OVAL	210,00
11	100853	BLADE	<a href="#">Contact us</a>
12	100854	BLADE	<a href="#">Contact us</a>



**robot coupe®**

**R-Vac R 20**

INDEX	REF.	DESIGNATION	Pricelist in : EUR
1	500546	VACUM SEAL	2,40
2	500547	FILTRE	93,25
3	500548	MANOMETER	180,80
4	500545	VACUM SEAL	1,80
5	29076	VCM VACUUM KIT	See Price list
6	29174	ADAPTATOR NUT	107,45



**(A)** PCB R23/R30 COMMUTABLE

**(M)** R30 MOTOR 230-400V/50HZ

INDEX	REF.	DESIGNATION	Pricelist in : EUR
1	59128	HINGE ASSEMBLY	146,25
2	501424	SEALING RING 20X30	2,55
3	118126	BUSH	0,75
4	118253	R45 LID SWITCH CAM	3,15
5	59130	LID SUPPORT ASSEMBLY	176,65
6	118101	R23-R60 LID SUPPORT	152,80
7	118132	R30 LID REED SWITCH	10,95
8	59131	ARM CLIP ASSEMBLY	13,10
9	118105	LEFT LID TUBE R20	41,55
10	57069	R23 FLAT (3) BLADE ASSEMBLY	See Price list
11	57070	R23 COARSE SERRATED (3) BLADE ASSEMBLY	See Price list
12	57072	R23 FINE SERRATED (3) BLADE ASSEMBLY	See Price list
13	118202	R30 SHAFT CAP	78,15
14	118203	PLASTIC WASHER	6,50
15	118201	10mm BLADE SPACER	15,95
16	118200	32mm BLADE SPACER	25,40
17	118217	R23 (1) FLAT BLADE	See Price list
18	118294	R23 COARSE SERRATED BLADE (1)	See Price list
19	118292	R23 FINE BLADE SERRATED	See Price list
20	117930	R30 BLADE SHAFT	107,65
21	59133	R23/R30 MOTOR SEAL SOCKET ASSEMBLY	174,00
22	501105	R30 SEAL 30X40X7	2,45
23	118153	BOWL SEAL	8,70
24	507050	O RING	3,15
25	118151	UPPER MOTOR COVER	79,85
26	118157	R30 BOWL REED SWITCH	9,75
27	59134	R30 MOTOR SUPPORT	317,45
28	118127	SAFETY WIRING	5,40
29	118256	CASING ACCESS DOOR SEAL	22,90
30	117935	CASING ACCESS DOOR	168,15
31	59157	Switch Panel 6 Touch Pads	176,50
32	118146	BACK TILTING PIVOT SPACER	22,10
33	59156	R23 BACK TILTING PIVOT ASSY	96,70
34	118218	TILTING AXE STAPLE	13,30
35	118147	BACK THRUST WASHER	18,40
36	117959	TILTING THRUST	19,10
37	507007	MP450/550 MICROSWITCH	2,40
38	117934	CASING	727,50
39	118186	CASING FOOT	21,80
40	502686	POWER CORD	85,60
41	515515	CL60 CABLE GROMMET	3,45
42	118148	BACK BEARING BUSH	2,45
43	118150	SLEEVE BUSH	2,65
44	118156	R23 87mm SLEEVE	19,10
45	118128	PLAQUE RENFORT CHARNIERE	11,20
46	118255	HINGE FLAT SEAL	2,45
47	59127	SAFETY SWITCH ASSEMBLY	18,60
48	118254	SWITCH SUPPORT	4,00
49	501258	SAFETY SWITCH	14,65
50	118104	RIGHT LID TUBE R20	41,55
51	118172	LID HOOK	47,30
52	59129	LID HANDLE ASSEMBLY	183,45
53	59153	R23 LID ASSEMBLY	149,00
54	118100	R30 LID CENTRE SUPPORT SEAL	9,60
55	118573	R23-R60 LID CAP	27,75
56	118177	R23 LID PLASTIC	102,60
57	118239	R23 LID SEAL	54,10
58	59155	R23 BOWL	459,10
59	118171	SAFETY PLUG	7,85

INDEX	REF.	DESIGNATION	Pricelist in : EUR
60	59165	BOWL THRUST ASSEMBLY	92,00
61	118155	R30 MOTOR DEFLECTOR	22,15
62	59950	PIN ASSEMBLY	9,45
63	118267	KNIFE TOOL	15,05
64	118296	BOTTOM MOTOR COVER	220,45
65	118142	R30 TILT ARM END COVER	5,65
66	59138	R30 TILT ARM	116,50
67	208582	R172 STAR WASHER N/A	6,65
68	118166	R30 HEX ADJUSTING NUT	14,40
69	117956	PLUG	14,90
70	118144	FRONT BEARING BUSH	2,45
71	118143	FRONT THRUST WASHER	2,45
72	59137	FRONT TILTING PIVOT ASSEMBLY	70,25
73	118189	R23 STAND	245,25
74	117958	STAND FOOT	21,80

**robot coupe®**

**R23**

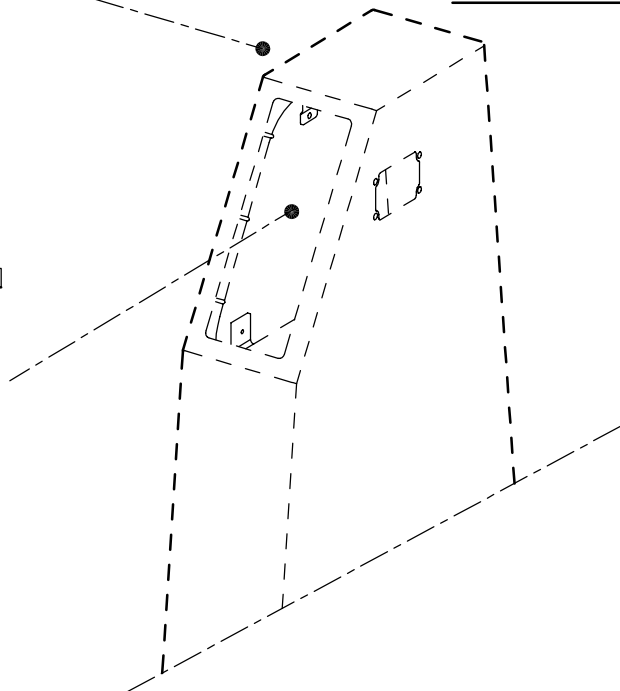
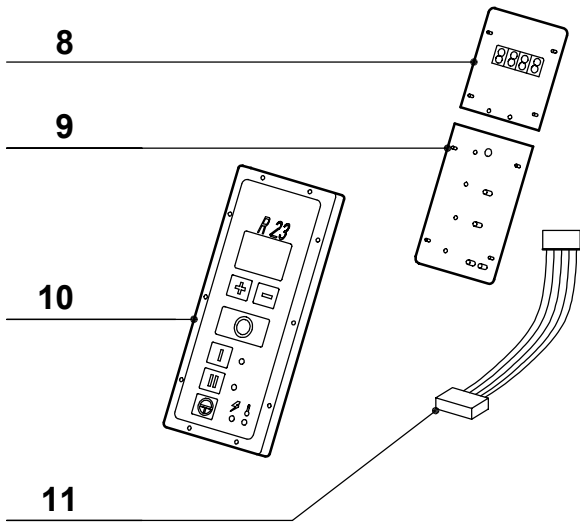
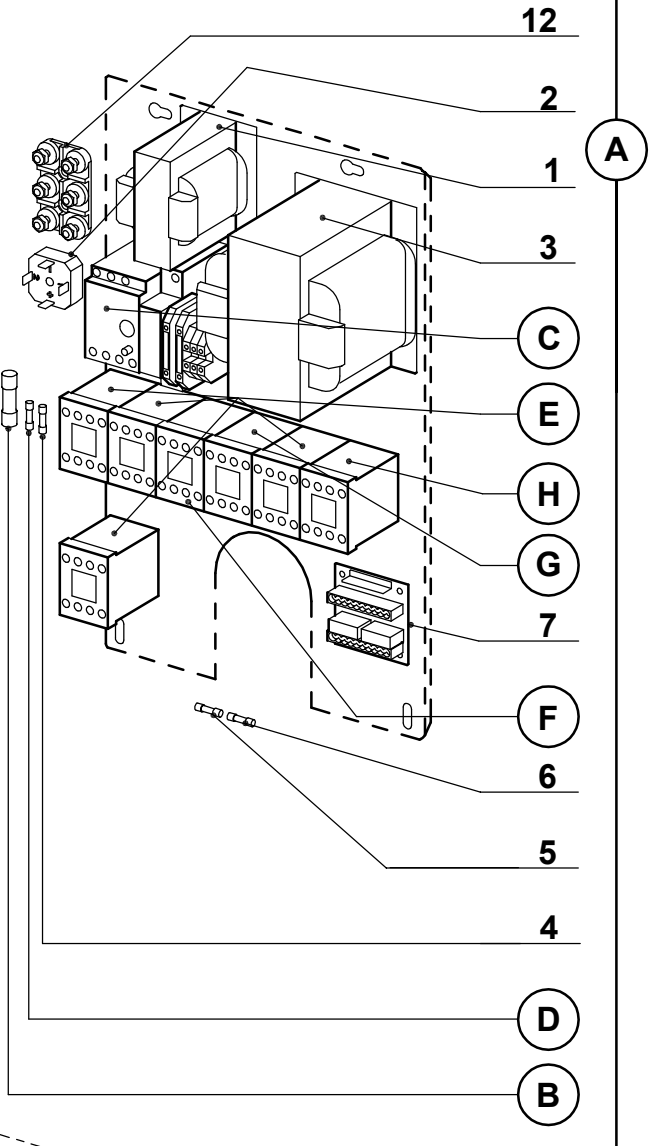
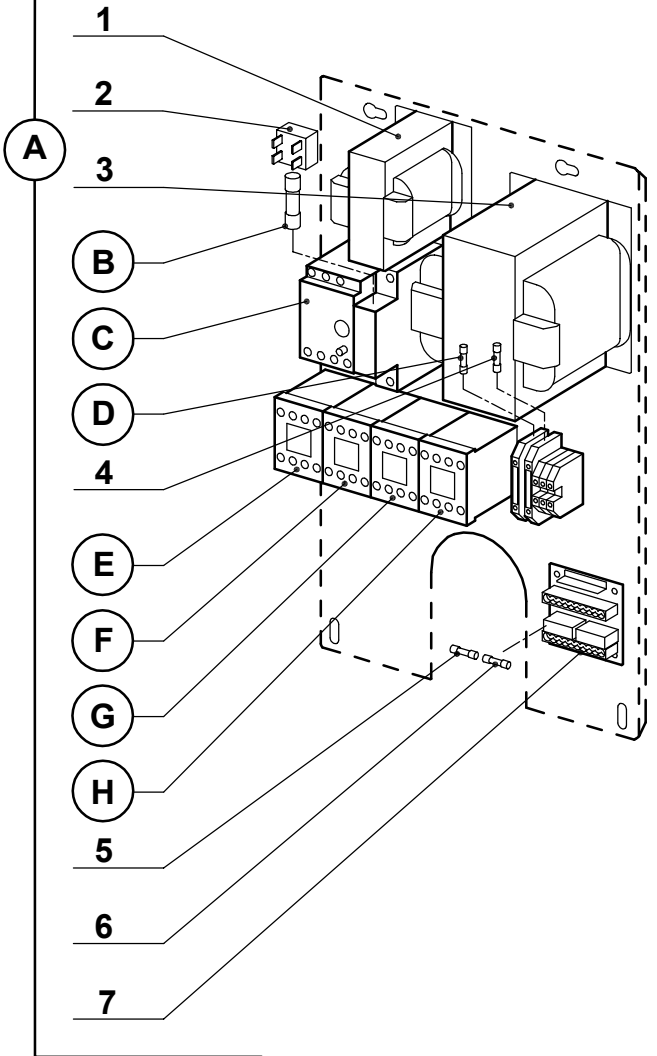
**Pricelist in : EUR**

N°	M	Voltage	A	
51032	303065 1 303,85	230/400 / 50 / 3	117990 756,55	



Monotension

Bitension



- (A)** PCB R23/R30 COMMUTABLE
- (B)** BREAK FUSE
- (C)** THERMAL RELAY
- (D)** PRIMARY FUSE 48V
- (E)** HIGHT SPEED CONTACTOR
- (F)** HIGHT SPEED CONTACTOR
- (G)** (DA) Contactor, R30T
- (H)** (DA) Contactor, R30T

INDEX	REF.	DESIGNATION	Pricelist in : EUR
1	503352	TRANSFORMER 9/24V	41,15
2	511620	TRANSFORMER	29,30
3	503353	R30 TRANSFORMER 48V	95,60
4	500537	PRIMARY FUSE 9/24V	3,00
5	504253	SECONDARY FUSE 9V	3,75
6	503106	SECONDARY FUSE 24V	3,20
7	117980	R30 CONNECTION CARD	50,25
8	117999	TIMER CIRCUIT BOARD	79,20
9	117981	R30 PCB	137,60
10	59157	Switch Panel 6 Touch Pads	176,50
11	117982	R30 PCB CONNECTION CABLE	18,50
12	507167	COMMUTATION SUPPORT	68,57

**robot coupe®**

**R23**

Pricelist in : EUR

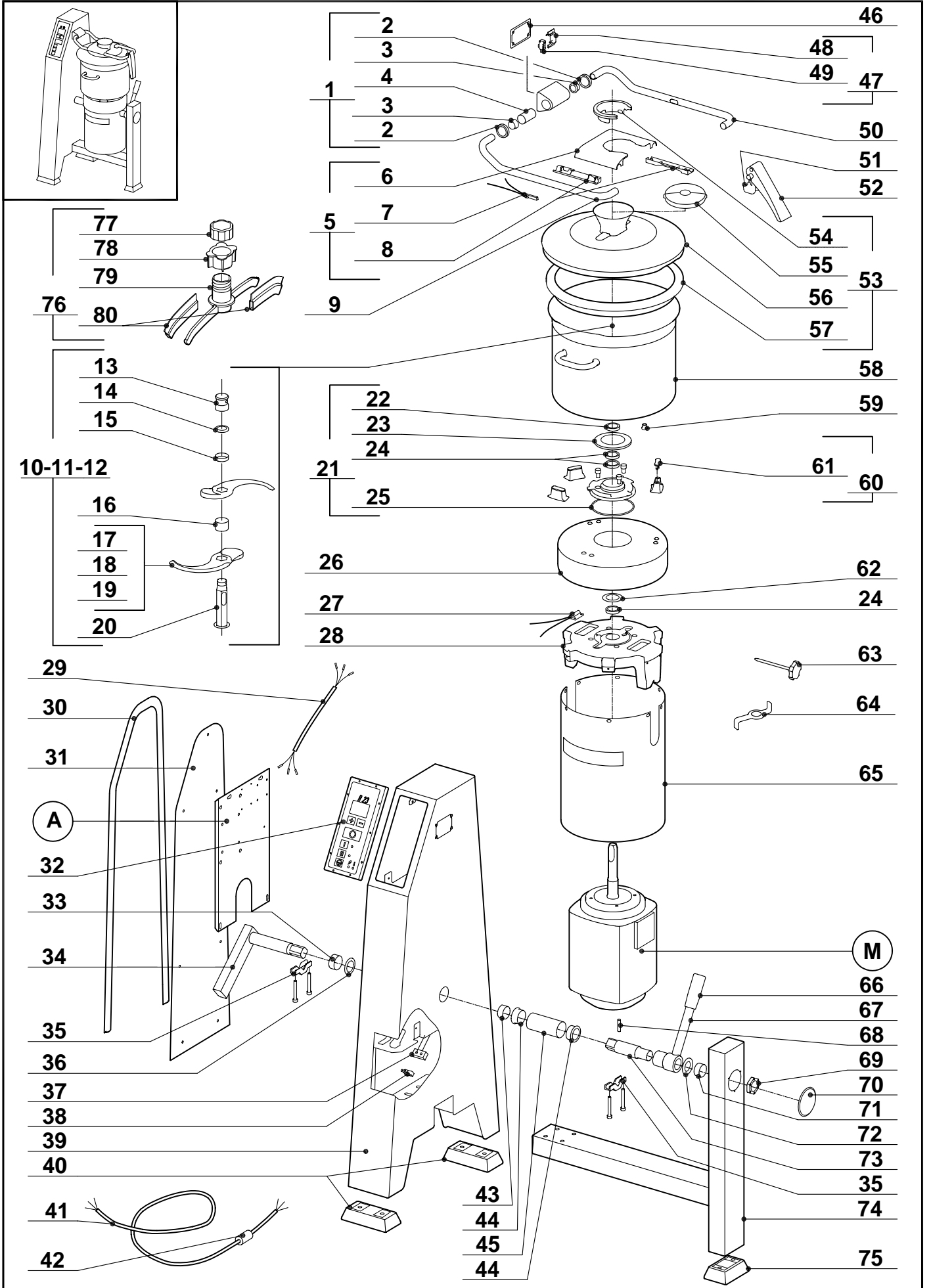
N°	M	Voltage	A	B	C	D	E	F	G	
51032	303065 1 303,85	230/400 / 50 / 3	117990 756,55	503356 3,20	503376 51,55	503108 3,20	503364 44,60	503364 44,60	503362 66,75	

**robot coupe®**

**R23**

**Pricelist in : EUR**

N°	M	Voltage	H	
51032	303065 1 303,85	230/400 / 50 / 3	503362 66,75	



**(A)** POWER CIRCUIT BOARD

**(M)** MOTOR

INDEX	REF.	DESIGNATION	Pricelist in : EUR
1	59128	HINGE ASSEMBLY	146,25
2	501424	SEALING RING 20X30	2,55
3	118126	BUSH	0,75
4	118253	R45 LID SWITCH CAM	3,15
5	59130	LID SUPPORT ASSEMBLY	176,65
6	118101	R23-R60 LID SUPPORT	152,80
7	118132	R30 LID REED SWITCH	10,95
8	59131	ARM CLIP ASSEMBLY	13,10
9	119205	(GA) Left Lid Tube, R23T	43,60
10	57069	R23 FLAT (3) BLADE ASSEMBLY	See Price list
11	57070	R23 COARSE SERRATED (3) BLADE ASSEMBLY	See Price list
12	57072	R23 FINE SERRATED (3) BLADE ASSEMBLY	See Price list
13	118202	R30 SHAFT CAP	78,15
14	118203	PLASTIC WASHER	6,50
15	118201	10mm BLADE SPACER	15,95
16	118200	32mm BLADE SPACER	25,40
17	118217	R23 (1) FLAT BLADE	See Price list
18	118294	R23 COARSE SERRATED BLADE (1)	See Price list
19	118292	R23 FINE BLADE SERRATED	See Price list
20	117930	R30 BLADE SHAFT	107,65
21	59133	R23/R30 MOTOR SEAL SOCKET ASSEMBLY	174,00
22	507168	SHAFT SEAL	13,70
23	118153	BOWL SEAL	8,70
24	501105	R30 SEAL 30X40X7	2,45
25	507050	O RING	3,15
26	118151	UPPER MOTOR COVER	79,85
27	118157	R30 BOWL REED SWITCH	9,75
28	59197	MOTOR SUPPORT ASSEMBLY	333,10
29	118127	SAFETY WIRING	5,40
30	118256	CASING ACCESS DOOR SEAL	22,90
31	117935	CASING ACCESS DOOR	168,15
32	59157	Switch Panel 6 Touch Pads	176,50
33	118146	BACK TILTING PIVOT SPACER	22,10
34	59156	R23 BACK TILTING PIVOT ASSY	96,70
35	119214	TILTING PIVOT STAPLE	13,95
36	118147	BACK THRUST WASHER	18,40
37	117959	TILTING THRUST	19,10
38	507007	MP450/550 MICROSWITCH	2,40
39	117934	CASING	727,50
40	118186	CASING FOOT	21,80
41	502686	POWER CORD	85,60
42	515515	CL60 CABLE GROMMET	3,45
43	118148	BACK BEARING BUSH	2,45
44	118150	SLEEVE BUSH	2,65
45	118156	R23 87mm SLEEVE	19,10
46	118255	HINGE FLAT SEAL	2,45
47	59127	SAFETY SWITCH ASSEMBLY	18,60
48	118254	SWITCH SUPPORT	4,00
49	501258	SAFETY SWITCH	14,65
50	119204	(GA) Right Lid Tube, R23T	43,60
51	119212	R45 LID LATCH HOOK	49,65
52	59196	R45 LID LATCH ASSEMBLY	183,45
53	59153	R23 LID ASSEMBLY	149,00
54	118100	R30 LID CENTRE SUPPORT SEAL	9,60
55	118573	R23-R60 LID CAP	27,75
56	118177	R23 LID PLASTIC	102,60
57	119183	R23 LID SEAL N/S FLAT	54,05
58	59155	R23 BOWL	459,10
59	118171	SAFETY PLUG	7,85

INDEX	REF.	DESIGNATION	Pricelist in : EUR
60	59165	BOWL THRUST ASSEMBLY	92,00
61	118595	PLASTIC BOWL THRUST	1,30
62	118155	R30 MOTOR DEFLECTOR	22,15
63	59950	PIN ASSEMBLY	9,45
64	118267	KNIFE TOOL	15,05
65	118296	BOTTOM MOTOR COVER	220,45
66	118142	R30 TILT ARM END COVER	5,65
67	59138	R30 TILT ARM	116,50
68	208582	R172 STAR WASHER N/A	6,65
69	118166	R30 HEX ADJUSTING NUT	14,40
70	117956	PLUG	14,90
71	118144	FRONT BEARING BUSH	2,45
72	118143	FRONT THRUST WASHER	2,45
73	59137	FRONT TILTING PIVOT ASSEMBLY	70,25
74	118189	R23 STAND	245,25
75	117958	STAND FOOT	21,80
76	59205	R23 LID WIPER ASSY	43,65
77	118227	LID WIPER NUT	3,80
78	118228	LID WIPER GUIDE	3,85
79	118229	R23 LID WIPER	15,20
80	118238	R23 LID SCRAPER	5,40

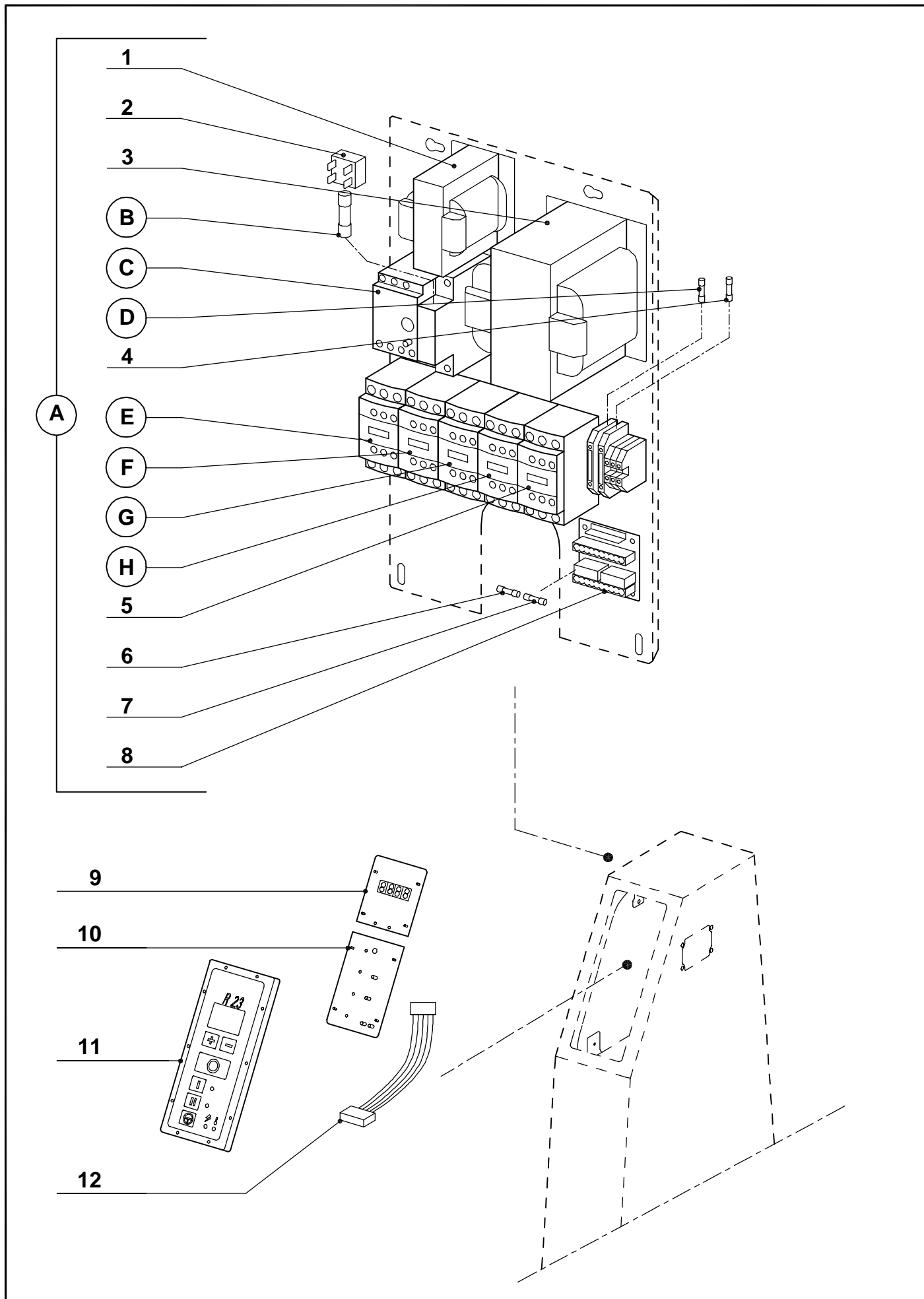
**robot coupe®**

**R23 - 4500 W**

**Pricelist in : EUR**

N°	M	Voltage	A	
51033	303062 1 000,05	400 / 50 / 3	117987 582,20	
51034	303068 1 000,05	220 / 60 / 3	117989 773,15	
51038	303130 1 285,10	380 / 60 / 3	117987 582,20	
51039	303109 1 049,40	230 / 50 / 3	117989 773,15	





- (A)** POWER CIRCUIT BOARD
- (B)** BREAK FUSE
- (C)** R30 THERMAL RELAY
- (D)** PRIMARY FUSE 48V
- (E)** HIGHT SPEED CONTACTOR
- (F)** HIGHT SPEED CONTACTOR
- (G)** HIGHT SPEED CONTACTOR
- (H)** HIGHT SPEED CONTACTOR

INDEX	REF.	DESIGNATION	Pricelist in : EUR
1	503352	TRANSFORMER 9/24V	41,15
2	511620	TRANSFORMER	29,30
3	503353	R30 TRANSFORMER 48V	95,60
4	500537	PRIMARY FUSE 9/24V	3,00
5	507174	COMMUTATION CONTACTOR	34,85
6	504253	SECONDARY FUSE 9V	3,75
7	503106	SECONDARY FUSE 24V	3,20
8	117980	R30 CONNECTION CARD	50,25
9	117999	TIMER CIRCUIT BOARD	79,20
10	117981	R30 PCB	137,60
11	59157	Switch Panel 6 Touch Pads	176,50
12	117982	R30 PCB CONNECTION CABLE	18,50

robot coupe®

R23 - 4500 W

Pricelist in : EUR

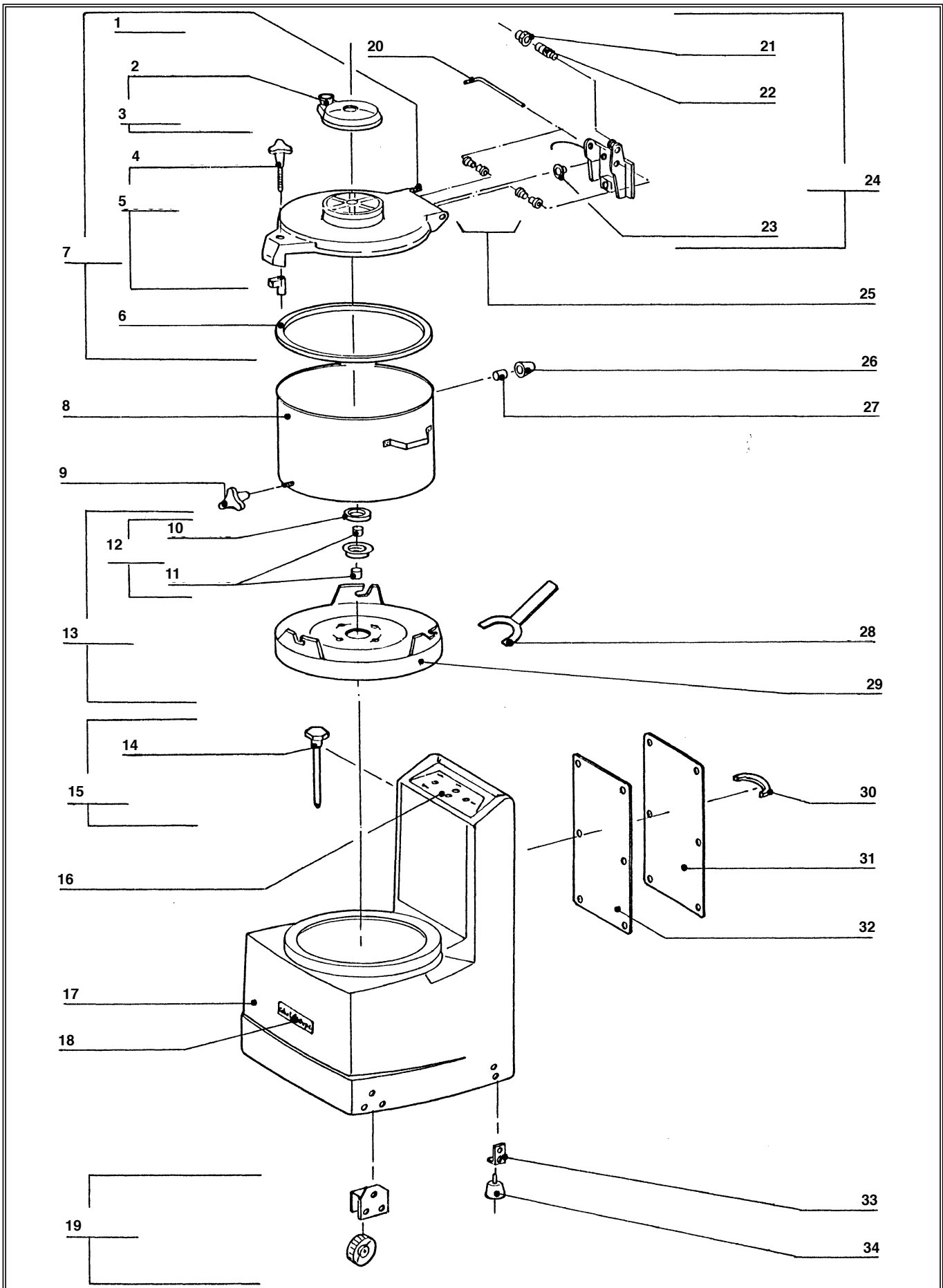
N°	M	Voltage	A	B	C	D	E	F	G	
51033	303062 1 000,05	400 / 50 / 3	117987 582,20	503355 3,20	503354 35,65	500537 3,00	503363 27,25	503363 27,25	503363 27,25	
51034	303068 1 000,05	220 / 60 / 3	117989 773,15	503356 3,20	503376 51,55	503108 3,20	503364 44,60	503364 44,60	503364 44,60	
51038	303130 1 285,10	380 / 60 / 3	117987 582,20	503355 3,20	503354 35,65	500537 3,00	503363 27,25	503363 27,25	503363 27,25	
51039	303109 1 049,40	230 / 50 / 3	117989 773,15	503356 3,20	503376 51,55	503108 3,20	503364 44,60	503364 44,60	503364 44,60	

**robot coupe®**

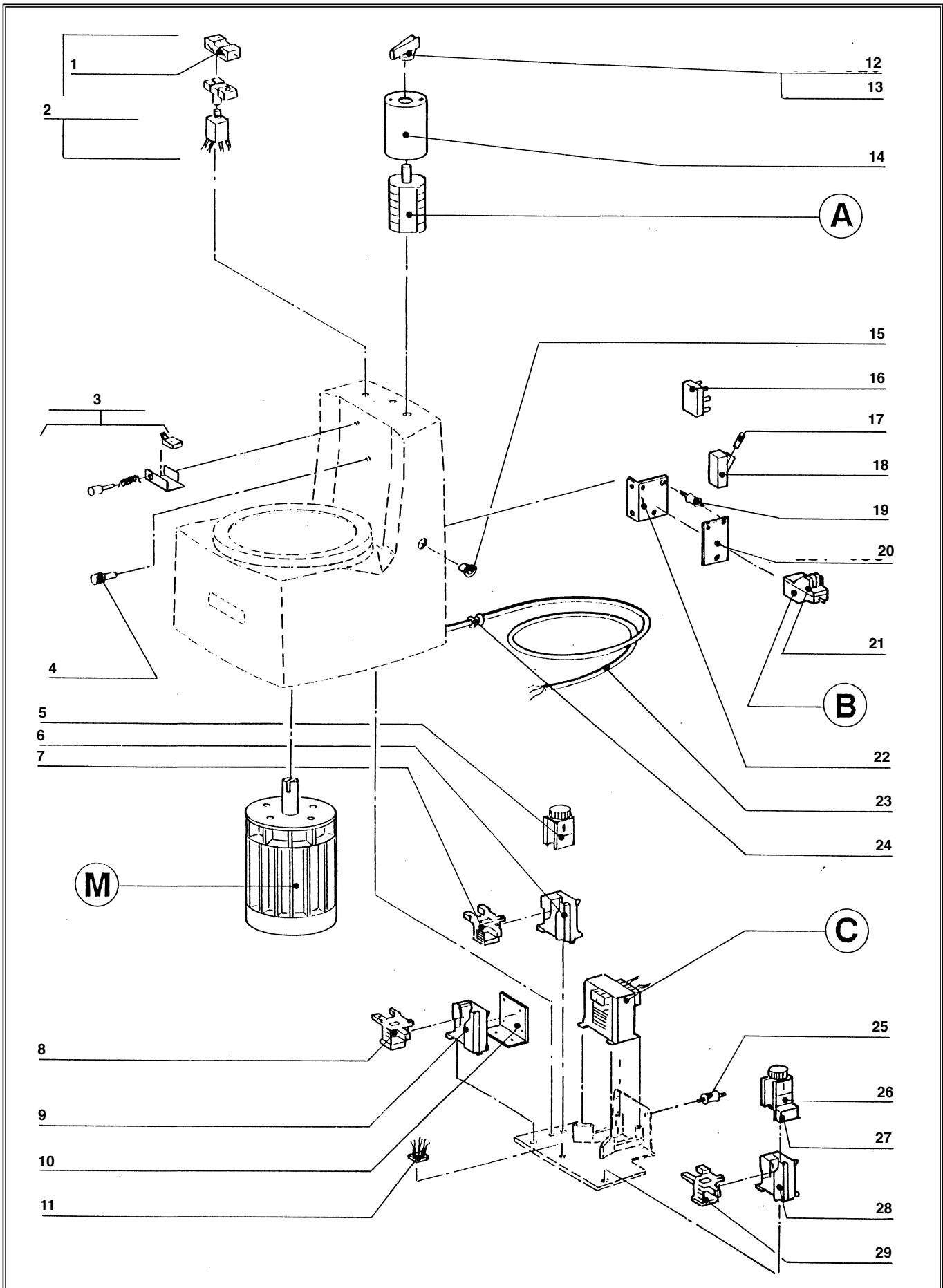
**R23 - 4500 W**

**Pricelist in : EUR**

N°	M	Voltage	H	
51033	303062 1 000,05	400 / 50 / 3	503363 27,25	
51034	303068 1 000,05	220 / 60 / 3	503364 44,60	
51038	303130 1 285,10	380 / 60 / 3	503363 27,25	
51039	303109 1 049,40	230 / 50 / 3	503364 44,60	



INDEX	REF.	DESIGNATION	Pricelist in : EUR
1	59961	R60B LID SWITCH ACTUATOR	6,35
2	500280	PLASTIC CAP KNOB	2,65
3	59026	R25B LID COVER	25,10
4	100913	CLAMP KNOB	43,15
5	59631	R25B LID LOCK KNOB ASSEMBLY	94,75
6	100965	R60B LID SEAL-12MM SQUARE	41,05
7	59896	R25B LID ASSEMBLY	301,65
8	59830	BOWL ASS	754,90
9	100914	R25B BOWL LOCK KNOB-METAL	41,05
10	504449	R25B BOWL SEAL	2,45
11	501710	R800 MOTOR SEAL 30x40x8	3,15
12	59104	SEALING SOCKET ASS	86,60
13	59885	SPACER ASS	444,90
14	500445	C120 PADDLE ASS LOCK KNOB	4,50
15	59950	PIN ASSEMBLY	9,45
16	400299	CONTROL PANNEL PLATE	29,20
17	59028	BASE ASS	679,25
18	400743	FRONT PLATE	12,35
19	59455	R25B WHEEL & BRACKET	55,45
20	59037	R25B HINGE PIN	17,15
21	206448	BALL DRIVER NUT	10,60
22	505220	BALL DRIVER	20,55
23	127710	R25B S.10 SWITCH SEAL	8,25
24	59730	R25B S.10 HINGE BRACKET	70,05
25	59021	SHOULDERED RING ASS	6,25
26	127700	R25 S.10 BOWL MAGNET BLOCK	11,55
27	501000	R8 MAGNET	0,65
28	101822	R25BA SOCKET KEY	38,05
29	101729	SPACER	433,00
30	59500	HANDLE ASS	16,65
31	126500	ACCESS FLAP DOOR	98,70
32	126577	ACCESS FLAP DOOR SEAL	26,45
33	59807	R25 S5 MOTOR SUPPORT	8,70
34	116798	R60B FOOT	9,25



- (A)** R25B S.10 ROTARY SWITCH
- (B)** R25B OVERLOAD RELAY 13-18A
- (C)** TRANSFORMER
- (M)** MOTOR

INDEX	REF.	DESIGNATION	Pricelist in : EUR
1	511600	WATER-TIGHT CAP	9,55
2	69718	CONTACT SWITCH	80,25
3	59010	R25B S.10 LID SWITCH ASSEMBLY	61,60
4	69817	R40B REED SWITCH ASSEMBLY	37,00
5	508860	R60BA TIMER DIAL	111,80
6	509223	R60BA CONTACTOR 48V CA2 DN22E7	62,40
7	509784	COIL D 09 48 V	64,15
8	515405	COIL D 16 48 V	85,50
9	515372	CONTACTOR 25 A	128,15
10	141504	CONTACTOR SUPPORT	10,85
11	511621	R25B RECTIFIER	28,65
12	502810	R800 SWITCH HANDLE-STAR	13,55
13	130174	R800 SWITCH HANDLE-HEX	12,95
14	120923	R25B ROTARY SWITCH COWL	30,90
15	108339	R25B OVERLOAD RELAY SEAL	3,90
16	504823	SWITCH GEAR	41,00
17	511643	FUSE	2,95
18	511632	FUSE SUPPORT	12,75
19	59213	R25B S.10 SHOCK ABSORBER	2,80
20	127655	ABSORBER ASS	7,10
21	511544	RELAY SUPPORT	24,10
22	107074	DISCONNECTOR SUPPORT	13,05
23	500566	POWER CORD	47,30
24	118822	WIRE DUCT	6,50
25	514778	R10 SHOCK ABSORBER	9,30
26	508860	R60BA TIMER DIAL	111,80
27	511533	ADDITIONAL CONTACT	20,15
28	511555	R25B CONTACTOR LC1 D253E 48V	123,15
29	515405	COIL D 16 48 V	85,50

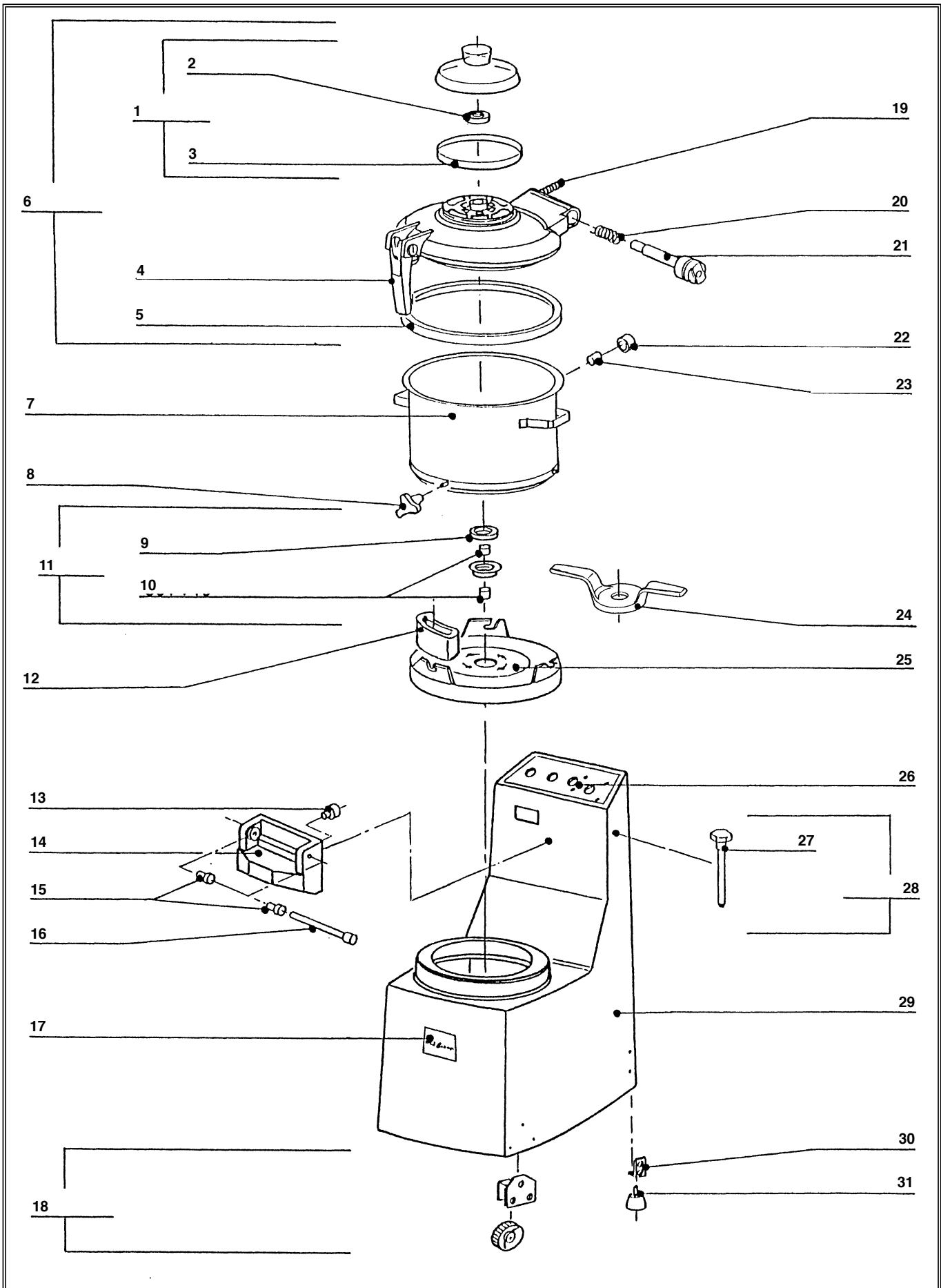




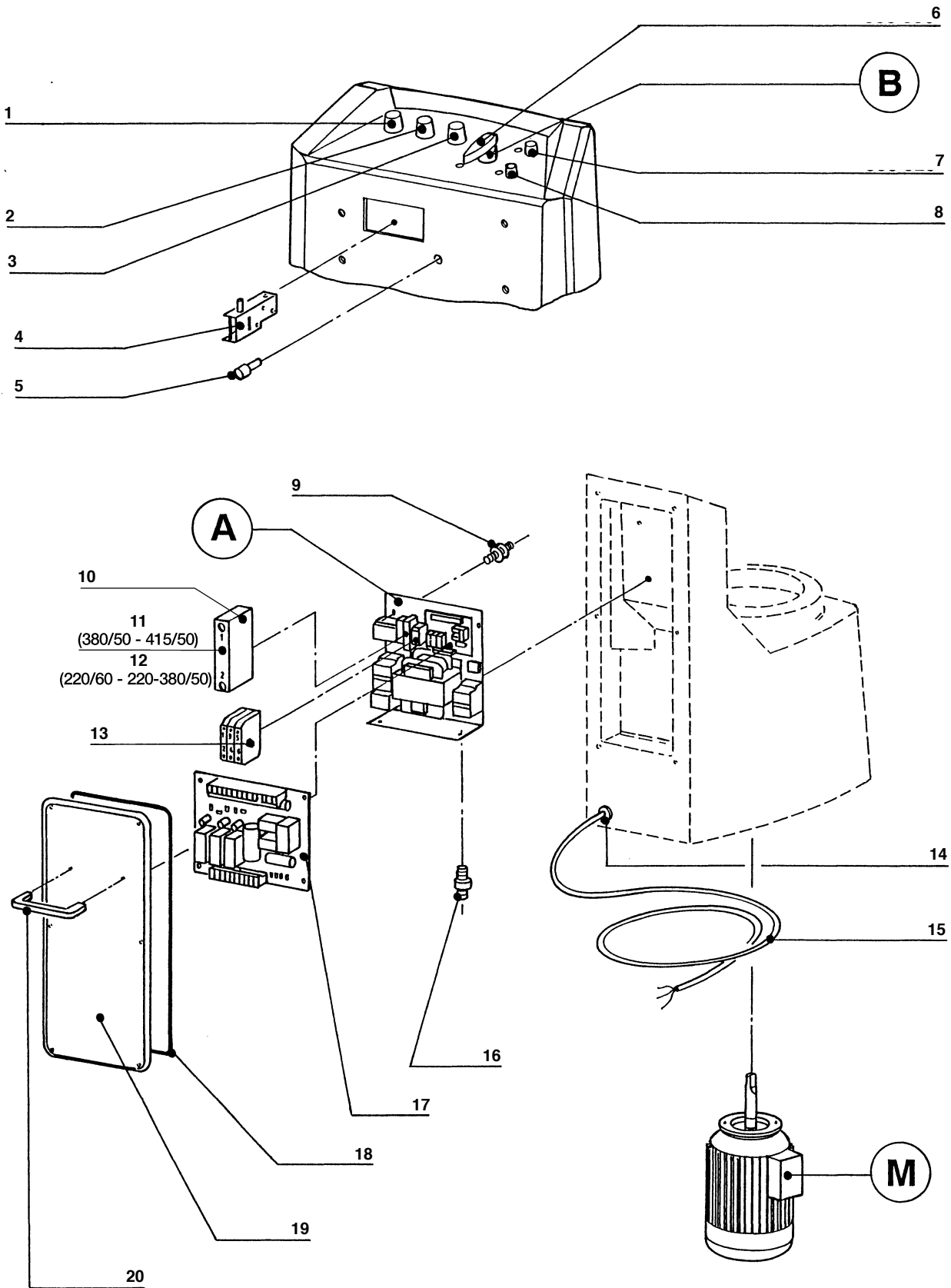
## R25 Série 10

Pricelist in : EUR

N°	M	Voltage	A	B	C	
52140	302021 1 030,10	220-380 / 50 / 3	511676 384,30	503954 96,85	511940 256,30	
52151	302028 997,60	380 / 50 / 3	59064 252,75	503965 91,20	59066 256,30	
52173	302019 997,60	220 / 60 / 3	59064 252,75	503954 96,85	511940 256,30	



INDEX	REF.	DESIGNATION	Pricelist in : EUR
1	502639	R10 LID CENTRE SEAL	1,85
2	500907	R10 LID COVER SEAL	7,55
3	29108	R10 LID COVER	41,05
4	59099	R25BA LID LATCH ASSEMBLY	97,70
5	101733	R25A LID SEAL 20MM	41,05
6	59105	R25BA LID ASSEMBLY	301,65
7	59102	R25BA BOWL	754,90
8	100914	R25B BOWL LOCK KNOB-METAL	41,05
9	504449	R25B BOWL SEAL	2,45
10	501710	R800 MOTOR SEAL 30x40x8	3,15
11	59104	SEALING SOCKET ASS	86,60
12	117146	BLADE DISMONTING HOLDER	13,70
13	102044	R25/R40 SAFETY FINGER	10,40
14	59101	HINGE ASS	70,05
15	105875	R25B HINGE BUSH	2,00
16	59098	HINGE PIN ASS	31,70
17	400743	FRONT PLATE	12,35
18	59455	R25B WHEEL & BRACKET	55,45
19	101316	R10/R20 S5 SAFETY FINGER	2,75
20	101659	R25BA LID SPRING	51,05
21	101657	LID SHAFT	102,05
22	101990	R25A/R40A MAGNET CAP	10,15
23	501000	R8 MAGNET	0,65
24	101822	R25BA SOCKET KEY	38,05
25	101729	SPACER	433,00
26	401137	CONTROL PANNEL PLATE	29,20
27	500445	C120 PADDLE ASS LOCK KNOB	4,50
28	59950	PIN ASSEMBLY	9,45
29	59097	BASE ASS	679,25
30	59807	R25 S5 MOTOR SUPPORT	8,70
31	116798	R60B FOOT	9,25



- (A)** ELECTRIC CIRCUIT BOARD
- (B)** R10 ROTARY SWITCH
- (M)** MOTOR

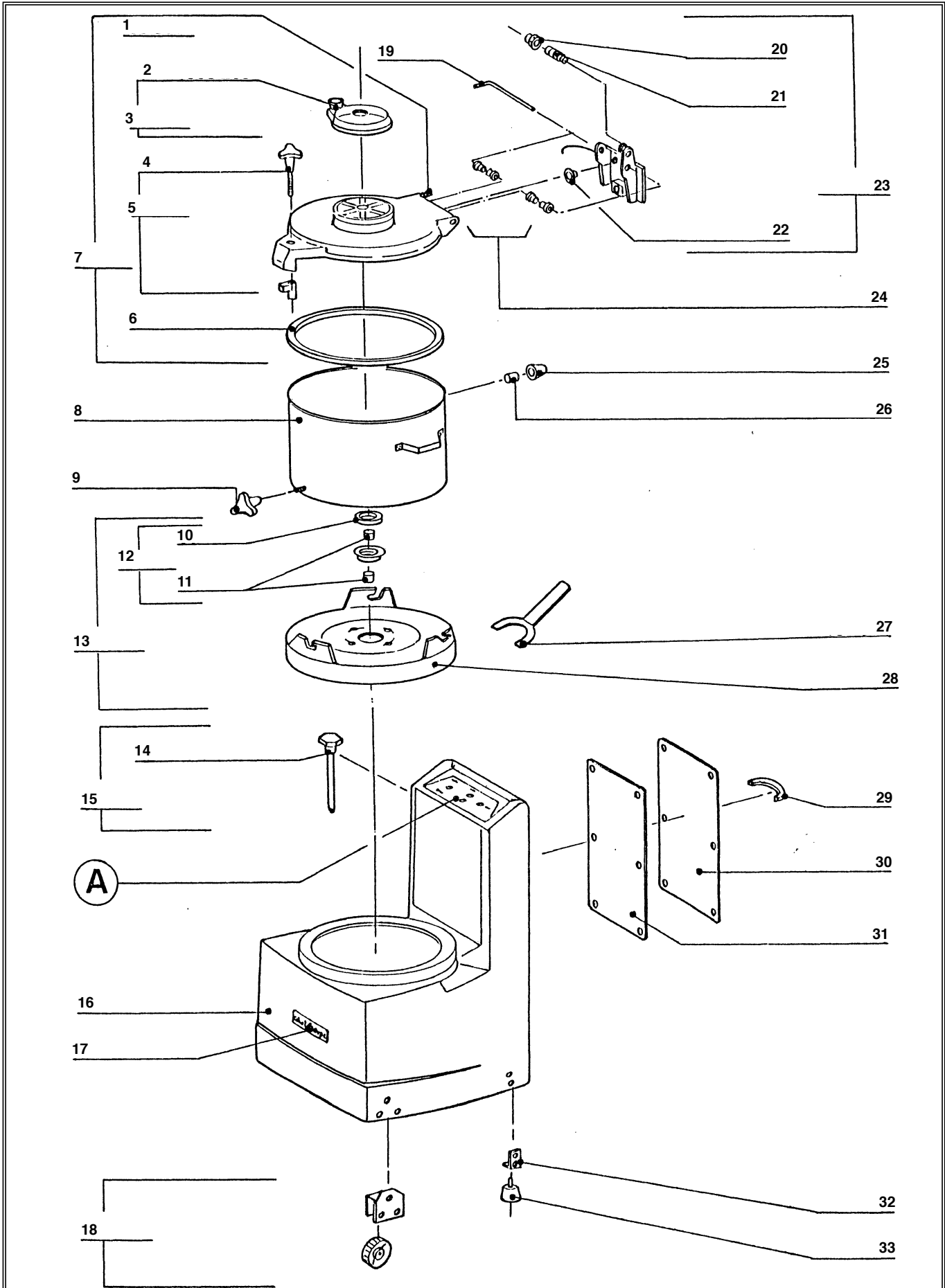
INDEX	REF.	DESIGNATION	Pricelist in : EUR
1	500321	RED KNOB	32,90
2	500322	GREEN KNOB	32,90
3	500301	BLACK KNOB	31,85
4	29262	R10a SAFTEY SWITCH ASSEMBLY	62,65
5	29318	R25BA REED SWITCH ASSEMBLY	37,00
6	500556	R10 ROTARY SWITCH HANDLE	14,80
7	500520	R10 CLEAR INDICATOR	6,75
8	500518	R10 GREEN INDICATOR	6,75
9	502876	ABSORBER	7,60
10	503115	8X31 FUSE THERMINAL	10,85
11	503111	8X31 12AGG FUSE	5,05
12	503112	8X31 20A GL FUSE	4,30
13	29165	FUSE ASS	24,25
14	501773	WIRE DUCT	4,40
15	502686	POWER CORD	85,60
16	514778	R10 SHOCK ABSORBER	9,30
17	29070	R10 PCB	127,05
18	101734	ACCESS FLAP DOOR SEAL	24,40
19	101660	ACCESS FLAP DOOR	110,75
20	500561	CL60 HANDLE	33,75

**robot coupe®**

**R25 "A"**

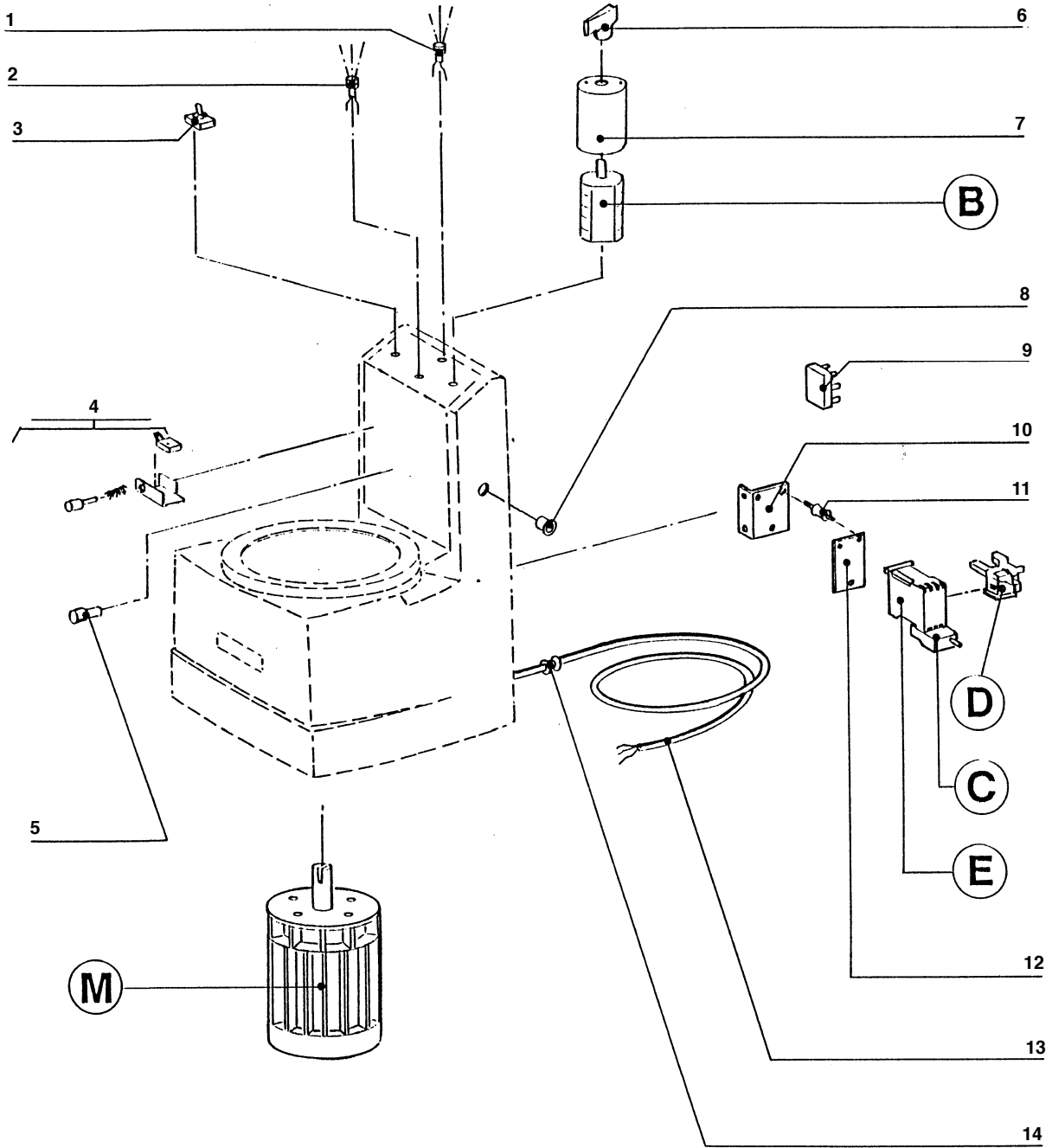
**Pricelist in : EUR**

N°	M	Voltage	A	B	
52280	302028 997,60	380 / 50 / 3	59046 805,60	502637 107,65	
52281	302021 1 030,10	220-380 / 50 / 3	59047 805,60	500550 183,10	
52282	302019 997,60	220 / 60 / 3	59047 805,60	502637 107,65	



INDEX	REF.	DESIGNATION	Pricelist in : EUR
1	59961	R60B LID SWITCH ACTUATOR	6,35
2	500280	PLASTIC CAP KNOB	2,65
3	59026	R25B LID COVER	25,10
4	100913	CLAMP KNOB	43,15
5	59631	R25B LID LOCK KNOB ASSEMBLY	94,75
6	100965	R60B LID SEAL-12MM SQUARE	41,05
7	59896	R25B LID ASSEMBLY	301,65
8	59830	BOWL ASS	754,90
9	100914	R25B BOWL LOCK KNOB-METAL	41,05
10	504449	R25B BOWL SEAL	2,45
11	501710	R800 MOTOR SEAL 30x40x8	3,15
12	59104	SEALING SOCKET ASS	86,60
13	59885	SPACER ASS	444,90
14	500445	C120 PADDLE ASS LOCK KNOB	4,50
15	59950	PIN ASSEMBLY	9,45
16	59029	BASE ASS	679,25
17	400743	FRONT PLATE	12,35
18	59455	R25B WHEEL & BRACKET	55,45
19	59037	R25B HINGE PIN	17,15
20	206448	BALL DRIVER NUT	10,60
21	505220	BALL DRIVER	20,55
22	127710	R25B S.10 SWITCH SEAL	8,25
23	59730	R25B S.10 HINGE BRACKET	70,05
24	59021	SHOULDERED RING ASS	6,25
25	127700	R25 S.10 BOWL MAGNET BLOCK	11,55
26	501000	R8 MAGNET	0,65
27	101822	R25BA SOCKET KEY	38,05
28	101729	SPACER	433,00
29	59500	HANDLE ASS	16,65
30	126500	ACCESS FLAP DOOR	98,70
31	126577	ACCESS FLAP DOOR SEAL	26,45
32	59807	R25 S5 MOTOR SUPPORT	8,70
33	116798	R60B FOOT	9,25





- (A)** FRONT PLATE R25 S5
- (B)** COMMUTATOR
- (C)** R25B OVERLOAD RELAY 13-18A
- (D)** COIL
- (E)** CONTACTOR
- (M)** MOTOR

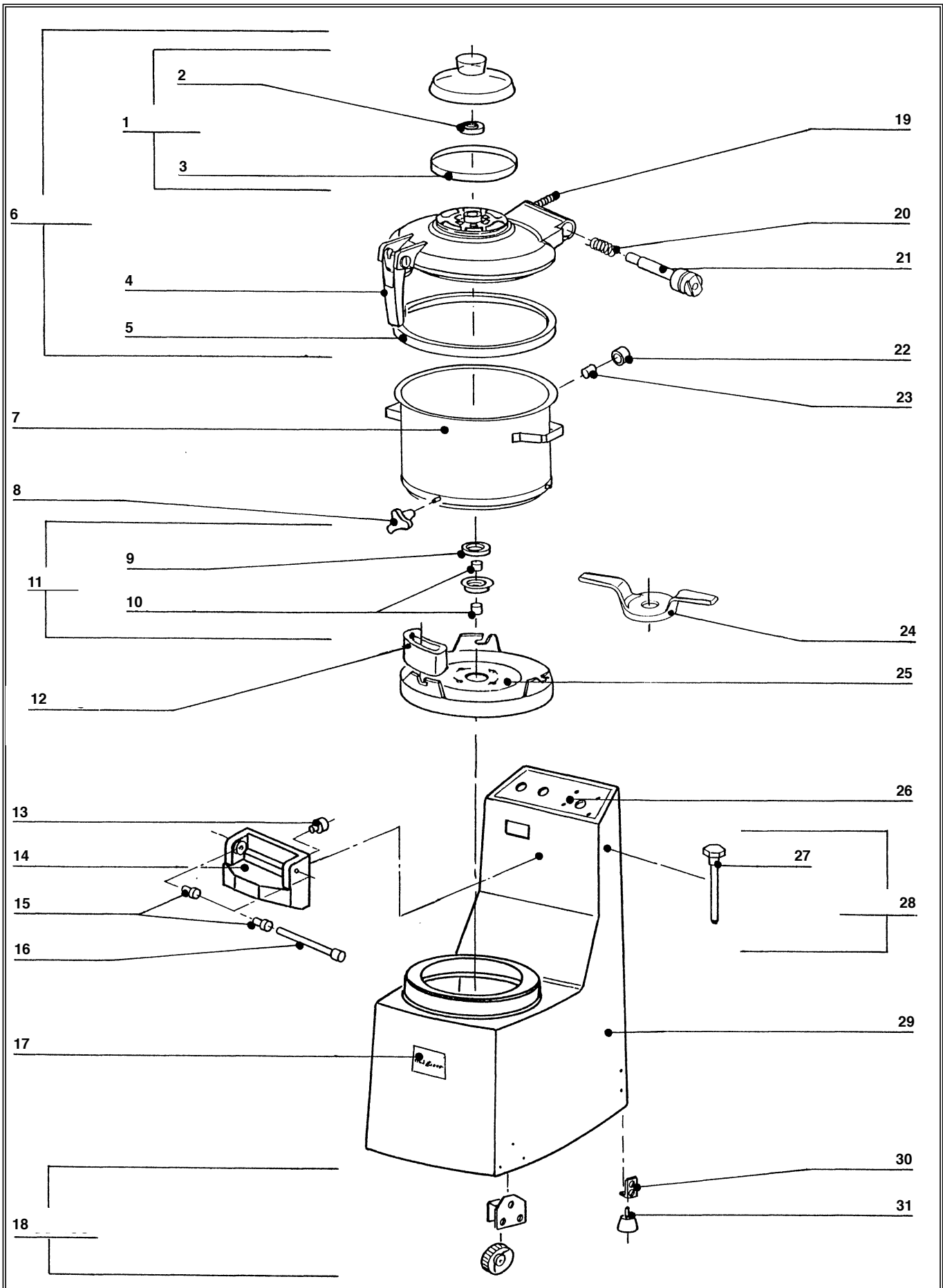
INDEX	REF.	DESIGNATION	Pricelist in : EUR
1	502898	R25B INDICATOR-ORANGE	7,70
2	502788	GREEN LAMP	9,05
3	29106	R25B ON/OFF SWITCH-TOGGLE	12,85
4	59010	R25B S.10 LID SWITCH ASSEMBLY	61,60
5	69817	R40B REED SWITCH ASSEMBLY	37,00
6	502810	R800 SWITCH HANDLE-STAR	13,55
7	120923	R25B ROTARY SWITCH COWL	30,90
8	108339	R25B OVERLOAD RELAY SEAL	3,90
9	504823	SWITCH GEAR	41,00
10	107074	DISCONNECTOR SUPPORT	13,05
11	59213	R25B S.10 SHOCK ABSORBER	2,80
12	112750	ABSORBER SUPPORT	8,25
13	500566	POWER CORD	47,30
14	118822	WIRE DUCT	6,50

robot coupe®

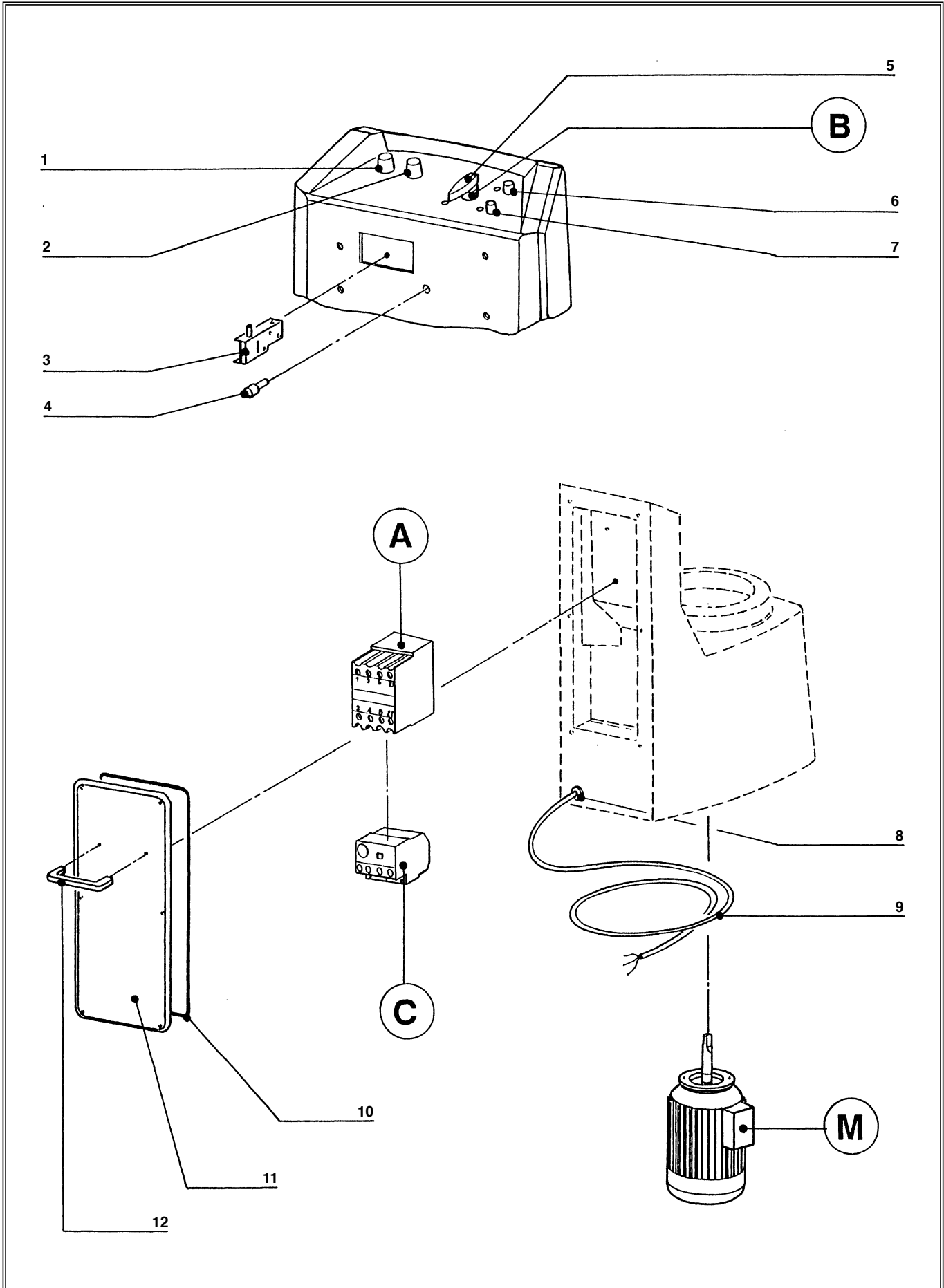
## R25 Série 5

Pricelist in : EUR

N°	M	Voltage	A	B	C	D	E	
52184	302019 997,60	220 / 60 / 3	400303 29,20	59062 140,45	503954 96,85	504097 40,65	503899 123,15	
52195	302028 997,60	380 / 50 / 3	400303 29,20	59062 140,45	503965 91,20	507640 111,05	507639 127,50	
52217	302021 1 030,10	220-380 / 50 / 3	400298 29,20	59063 249,05	503954 96,85	507640 111,05	507639 127,50	



INDEX	REF.	DESIGNATION	Pricelist in : EUR
1	29108	R10 LID COVER	41,05
2	502639	R10 LID CENTRE SEAL	1,85
3	500907	R10 LID COVER SEAL	7,55
4	59099	R25BA LID LATCH ASSEMBLY	97,70
5	101733	R25A LID SEAL 20MM	41,05
6	59105	R25BA LID ASSEMBLY	301,65
7	59102	R25BA BOWL	754,90
8	100914	R25B BOWL LOCK KNOB-METAL	41,05
9	504449	R25B BOWL SEAL	2,45
10	501710	R800 MOTOR SEAL 30x40x8	3,15
11	59104	SEALING SOCKET ASS	86,60
12	117146	BLADE DISMONTING HOLDER	13,70
13	102044	R25/R40 SAFETY FINGER	10,40
14	59101	HINGE ASS	70,05
15	105875	R25B HINGE BUSH	2,00
16	59098	HINGE PIN ASS	31,70
17	400743	FRONT PLATE	12,35
18	59455	R25B WHEEL & BRACKET	55,45
19	101316	R10/R20 S5 SAFETY FINGER	2,75
20	101659	R25BA LID SPRING	51,05
21	101657	LID SHAFT	102,05
22	101990	R25A/R40A MAGNET CAP	10,15
23	501000	R8 MAGNET	0,65
24	101822	R25BA SOCKET KEY	38,05
25	101729	SPACER	433,00
26	401231	R25A CONTROL PANEL PLATE	29,20
27	500445	C120 PADDLE ASS LOCK KNOB	4,50
28	59950	PIN ASSEMBLY	9,45
29	59110	BASE ASS	679,10
30	59807	R25 S5 MOTOR SUPPORT	8,70
31	116798	R60B FOOT	9,25

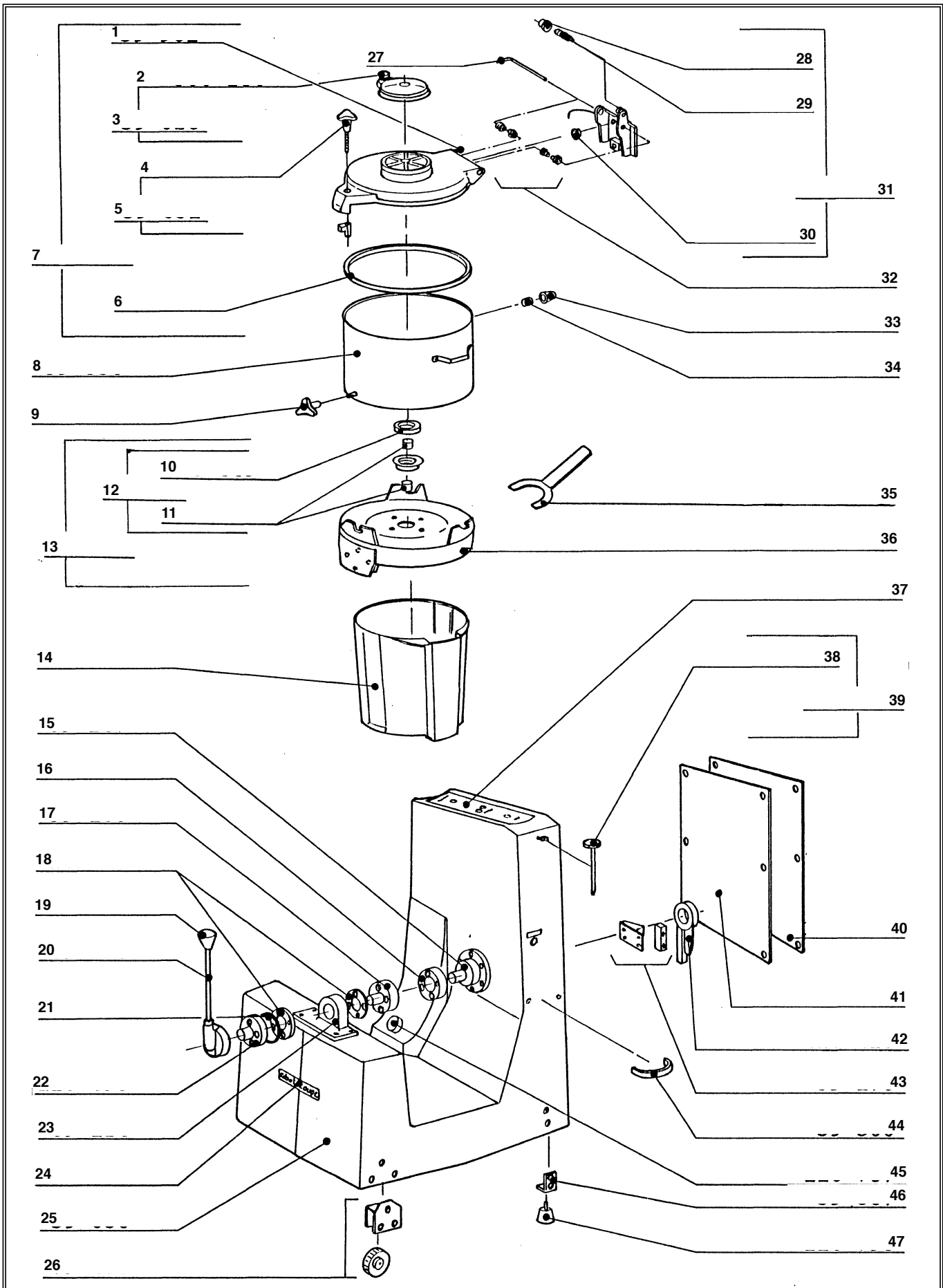


- (A)** CONTACTOR
- (B)** R10 ROTARY SWITCH
- (C)** R25B OVERLOAD RELAY 13-18A
- (M)** MOTOR

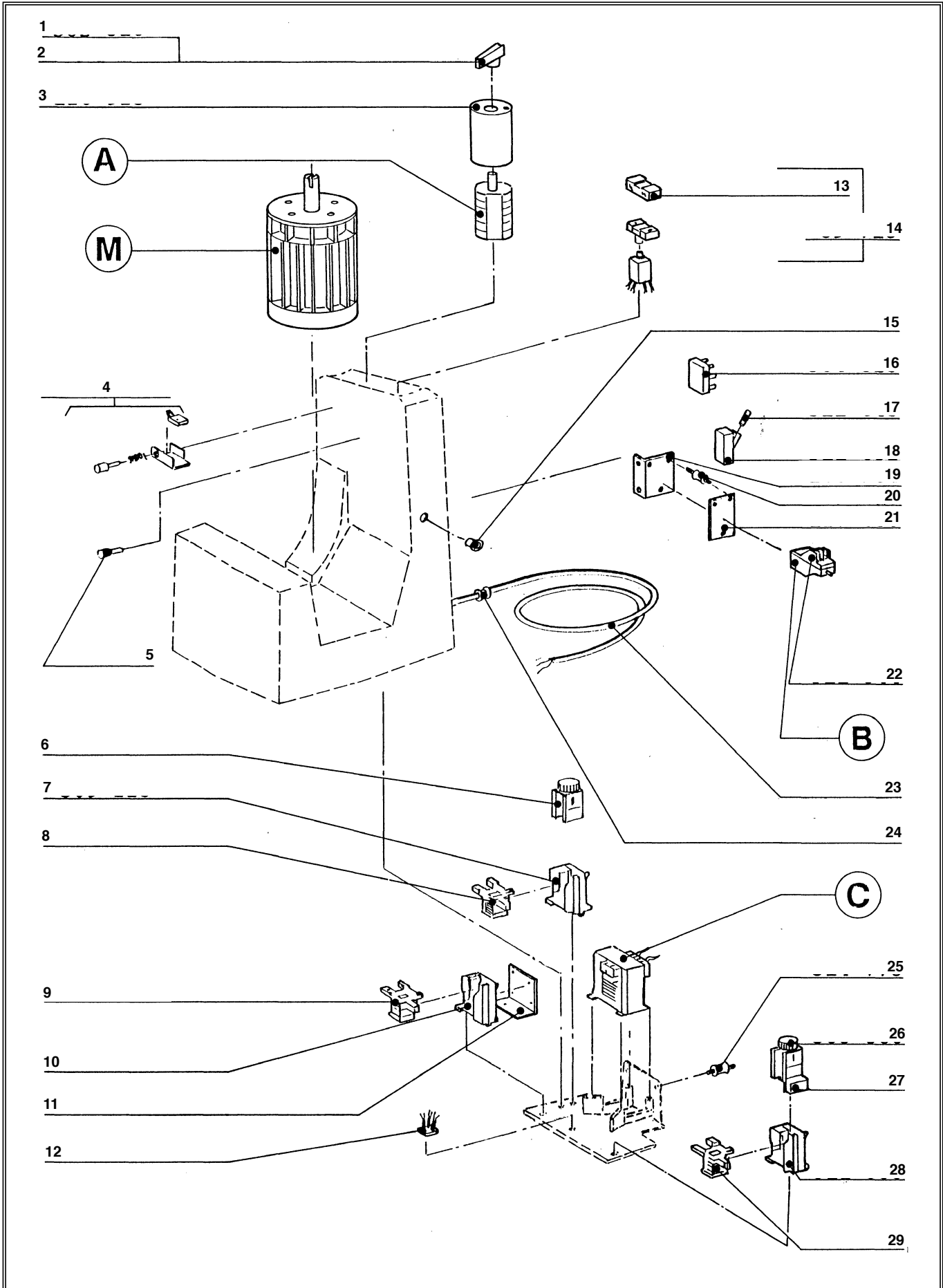
INDEX	REF.	DESIGNATION	Pricelist in : EUR
1	500321	RED KNOB	32,90
2	500322	GREEN KNOB	32,90
3	29270	R10 (D) SAFETY SWITCH ASS	62,65
4	29318	R25BA REED SWITCH ASSEMBLY	37,00
5	500556	R10 ROTARY SWITCH HANDLE	14,80
6	505252	CRISTAL LAMP	7,70
7	502788	GREEN LAMP	9,05
8	501773	WIRE DUCT	4,40
9	502686	POWER CORD	85,60
10	101734	ACCESS FLAP DOOR SEAL	24,40
11	101660	ACCESS FLAP DOOR	110,75
12	500561	CL60 HANDLE	33,75

N°	M	Voltage	A	B	C	
52284	302028 997,60	380 / 50 / 3	507639 127,50	502637 107,65	503965 91,20	
52285	302021 1 030,10	220/380 / 50 / 3	507639 127,50	500550 183,10	503954 96,85	
52286	302019 997,60	220 / 60 / 3	503899 123,15	502637 107,65	503954 96,85	





INDEX	REF.	DESIGNATION	Pricelist in : EUR
1	59961	R60B LID SWITCH ACTUATOR	6,35
2	500280	PLASTIC CAP KNOB	2,65
3	59026	R25B LID COVER	25,10
4	100913	CLAMP KNOB	43,15
5	59631	R25B LID LOCK KNOB ASSEMBLY	94,75
6	100965	R60B LID SEAL-12MM SQUARE	41,05
7	59896	R25B LID ASSEMBLY	301,65
8	59830	BOWL ASS	754,90
9	100914	R25B BOWL LOCK KNOB-METAL	41,05
10	504449	R25B BOWL SEAL	2,45
11	501710	R800 MOTOR SEAL 30x40x8	3,15
12	59104	SEALING SOCKET ASS	86,60
13	69037	R25B MOTOR SUPPORT	527,80
14	69113	MOTOR COVER ASS	294,80
15	69147	R60BA VERTICAL BEARING BLOCK	101,40
16	69157	TILTING BLOCK AXE	205,50
17	59103	TILTING FRONT AXE	178,15
18	110418	R60B BRONZE COLLAR	64,95
19	100384	R60 TILT ARM KNOB	37,75
20	69135	TILTING ARM ASS	116,75
21	101770	LOCKING NUT FLANGE	19,15
22	110495	R25B TILT ARM COLLAR	100,85
23	69124	R25B TILT ARM BRACKET	353,10
24	400744	FRONT PLATE	11,30
25	59030	BASE ASS	830,50
26	59455	R25B WHEEL & BRACKET	55,45
27	59037	R25B HINGE PIN	17,15
28	206448	BALL DRIVER NUT	10,60
29	505220	BALL DRIVER	20,55
30	127710	R25B S.10 SWITCH SEAL	8,25
31	59730	R25B S.10 HINGE BRACKET	70,05
32	59021	SHOULDERED RING ASS	6,25
33	127700	R25 S.10 BOWL MAGNET BLOCK	11,55
34	501000	R8 MAGNET	0,65
35	101822	R25BA SOCKET KEY	38,05
36	101731	SPACER	429,75
37	400320	CONTROL PANNEL PLATE	32,30
38	500445	C120 PADDLE ASS LOCK KNOB	4,50
39	59950	PIN ASSEMBLY	9,45
40	126511	ACCESS FLAP DOOR	86,55
41	126588	ACCESS FLAP DOOR SEAL	30,80
42	116413	THRUST ARM	84,75
43	59170	NYLON THRUST BLOCK	44,20
44	59500	HANDLE ASS	16,65
45	116787	BOWL THRUST	10,70
46	59807	R25 S5 MOTOR SUPPORT	8,70
47	116798	R60B FOOT	9,25



- (A)** R25B S.10 ROTARY SWITCH
- (B)** R25B OVERLOAD RELAY 13-18A
- (C)** TRANSFORMER
- (M)** MOTOR

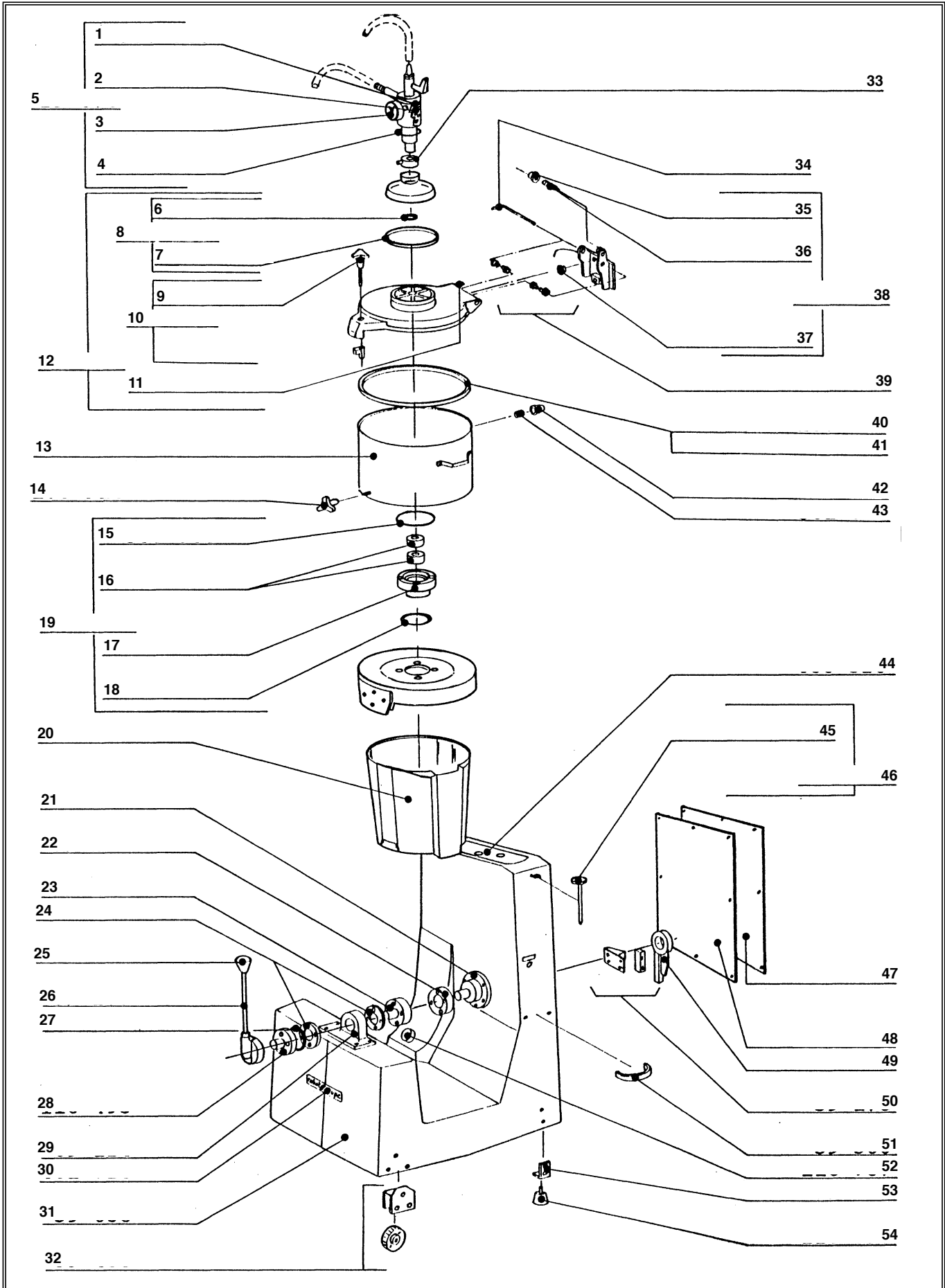
INDEX	REF.	DESIGNATION	Pricelist in : EUR
1	502810	R800 SWITCH HANDLE-STAR	13,55
2	130174	R800 SWITCH HANDLE-HEX	12,95
3	120923	R25B ROTARY SWITCH COWL	30,90
4	59010	R25B S.10 LID SWITCH ASSEMBLY	61,60
5	69817	R40B REED SWITCH ASSEMBLY	37,00
6	508860	R60BA TIMER DIAL	111,80
7	509223	R60BA CONTACTOR 48V CA2 DN22E7	62,40
8	509784	COIL D 09 48 V	64,15
9	515405	COIL D 16 48 V	85,50
10	515372	CONTACTOR 25 A	128,15
11	141504	CONTACTOR SUPPORT	10,85
12	511621	R25B RECTIFIER	28,65
13	511600	WATER-TIGHT CAP	9,55
14	69718	CONTACT SWITCH	80,25
15	108339	R25B OVERLOAD RELAY SEAL	3,90
16	504823	SWITCH GEAR	41,00
17	511643	FUSE	2,95
18	511632	FUSE SUPPORT	12,75
19	100984	DISCONNECTOR SUPPORT	26,75
20	59213	R25B S.10 SHOCK ABSORBER	2,80
21	127655	ABSORBER ASS	7,10
22	511544	RELAY SUPPORT	24,10
23	500566	POWER CORD	47,30
24	118822	WIRE DUCT	6,50
25	514778	R10 SHOCK ABSORBER	9,30
26	508860	R60BA TIMER DIAL	111,80
27	511533	ADDITIONAL CONTACT	20,15
28	511555	R25B CONTACTOR LC1 D253E 48V	123,15
29	515405	COIL D 16 48 V	85,50



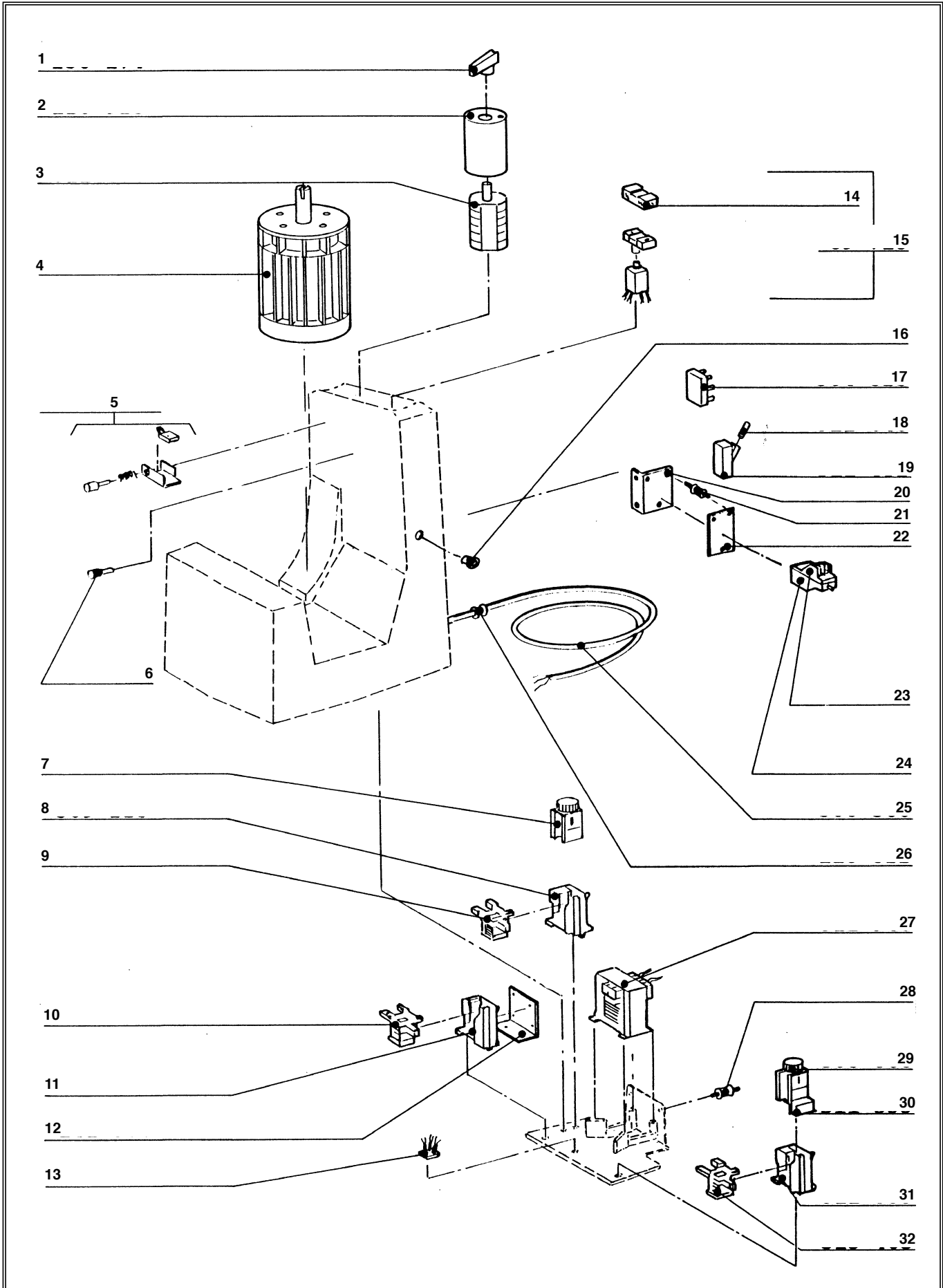
## R25B Série 10

Pricelist in : EUR

N°	M	Voltage	A	B	C	
52107	302021 1 030,10	220-380 / 50 / 3	511676 384,30	503954 96,85	511940 256,30	
52118	302028 997,60	380 / 50 / 3	59064 252,75	503965 91,20	59066 256,30	
52130	302019 997,60	220 / 60 / 3	59064 252,75	503954 96,85	511940 256,30	

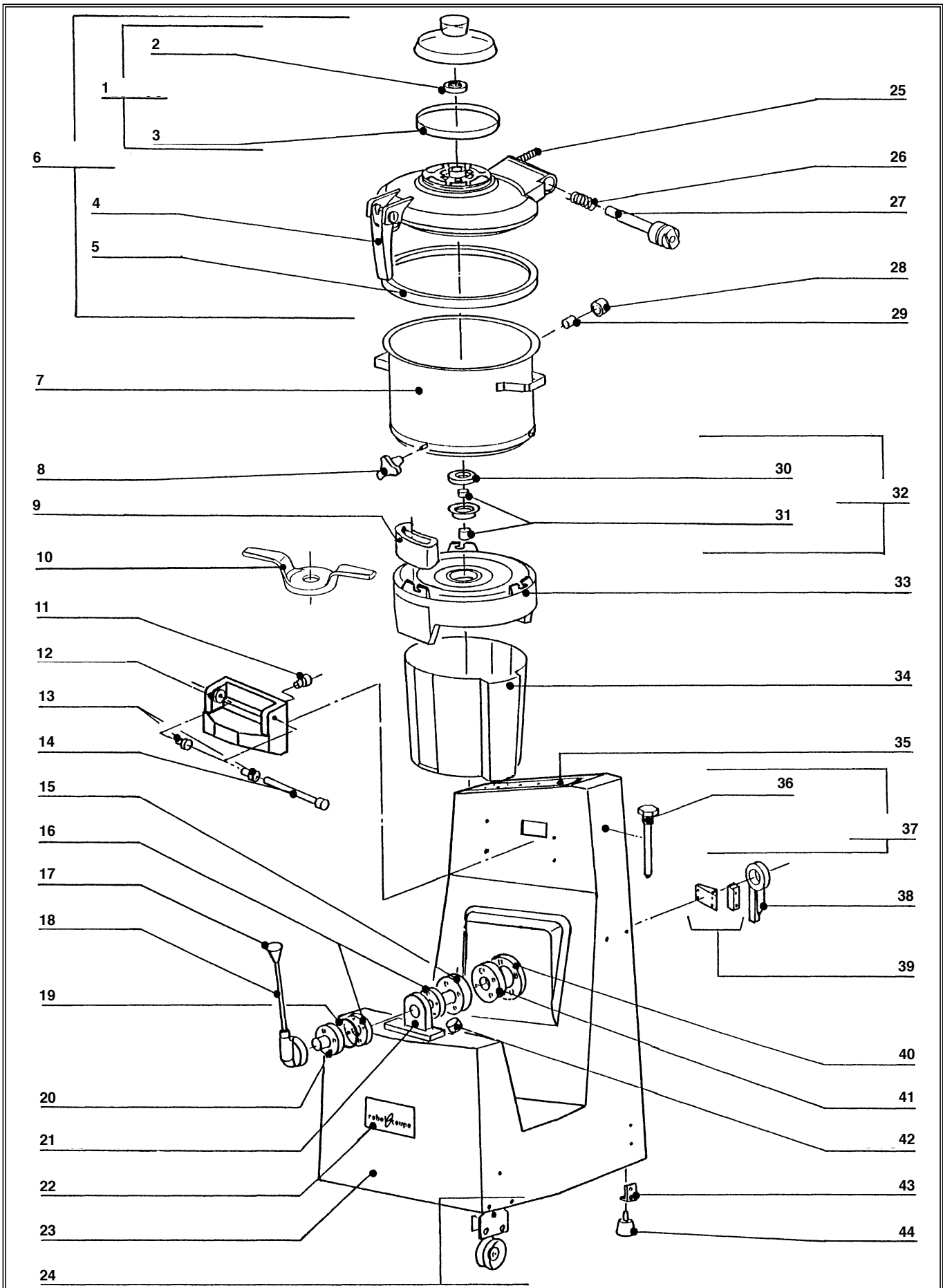


INDEX	REF.	DESIGNATION	Pricelist in : EUR
1	500546	VACUM SEAL	2,40
2	500547	FILTRE	93,25
3	500548	MANOMETER	180,80
4	500545	VACUM SEAL	1,80
5	29076	VCM VACUUM KIT	See Price list
6	502639	R10 LID CENTRE SEAL	1,85
7	500907	R10 LID COVER SEAL	7,55
8	29108	R10 LID COVER	41,05
9	100913	CLAMP KNOB	43,15
10	59631	R25B LID LOCK KNOB ASSEMBLY	94,75
11	59961	R60B LID SWITCH ACTUATOR	6,35
12	59035	COMPLETE LID ASS	1 166,50
13	69774	BOWL ASS	973,50
14	100914	R25B BOWL LOCK KNOB-METAL	41,05
15	500503	SEAL	7,20
16	500183	SEAL RING	12,60
17	100739	SEAL SUPPORT	85,60
18	502582	SEAL	1,95
19	59036	SPACER ASS	878,80
20	69113	MOTOR COVER ASS	294,80
21	69147	R60BA VERTICAL BEARING BLOCK	101,40
22	69157	TILTING BLOCK AXE	205,50
23	59103	TILTING FRONT AXE	178,15
24	110418	R60B BRONZE COLLAR	64,95
25	100384	R60 TILT ARM KNOB	37,75
26	69135	TILTING ARM ASS	116,75
27	101770	LOCKING NUT FLANGE	19,15
28	110495	R25B TILT ARM COLLAR	100,85
29	69124	R25B TILT ARM BRACKET	353,10
30	401720	SILVER PLATE S/ADHESIVE	7,20
31	59038	BASE ASS	Contact us
32	59455	R25B WHEEL & BRACKET	55,45
33	29174	ADAPTATOR NUT	107,45
34	59037	R25B HINGE PIN	17,15
35	206448	BALL DRIVER NUT	10,60
36	505220	BALL DRIVER	20,55
37	127710	R25B S.10 SWITCH SEAL	8,25
38	59730	R25B S.10 HINGE BRACKET	70,05
39	59021	SHOULDERED RING ASS	6,25
40	100966	LID SEAL (O M)	28,75
41	100973	LID SEAL (N M)	69,25
42	127700	R25 S.10 BOWL MAGNET BLOCK	11,55
43	501000	R8 MAGNET	0,65
44	400320	CONTROL PANNEL PLATE	32,30
45	500445	C120 PADDLE ASS LOCK KNOB	4,50
46	59950	PIN ASSEMBLY	9,45
47	100535	ACCESS FLAP DOOR	86,55
48	126588	ACCESS FLAP DOOR SEAL	30,80
49	116413	THRUST ARM	84,75
50	59170	NYLON THRUST BLOCK	44,20
51	59500	HANDLE ASS	16,65
52	116787	BOWL THRUST	10,70
53	59807	R25 S5 MOTOR SUPPORT	8,70
54	116798	R60B FOOT	9,25

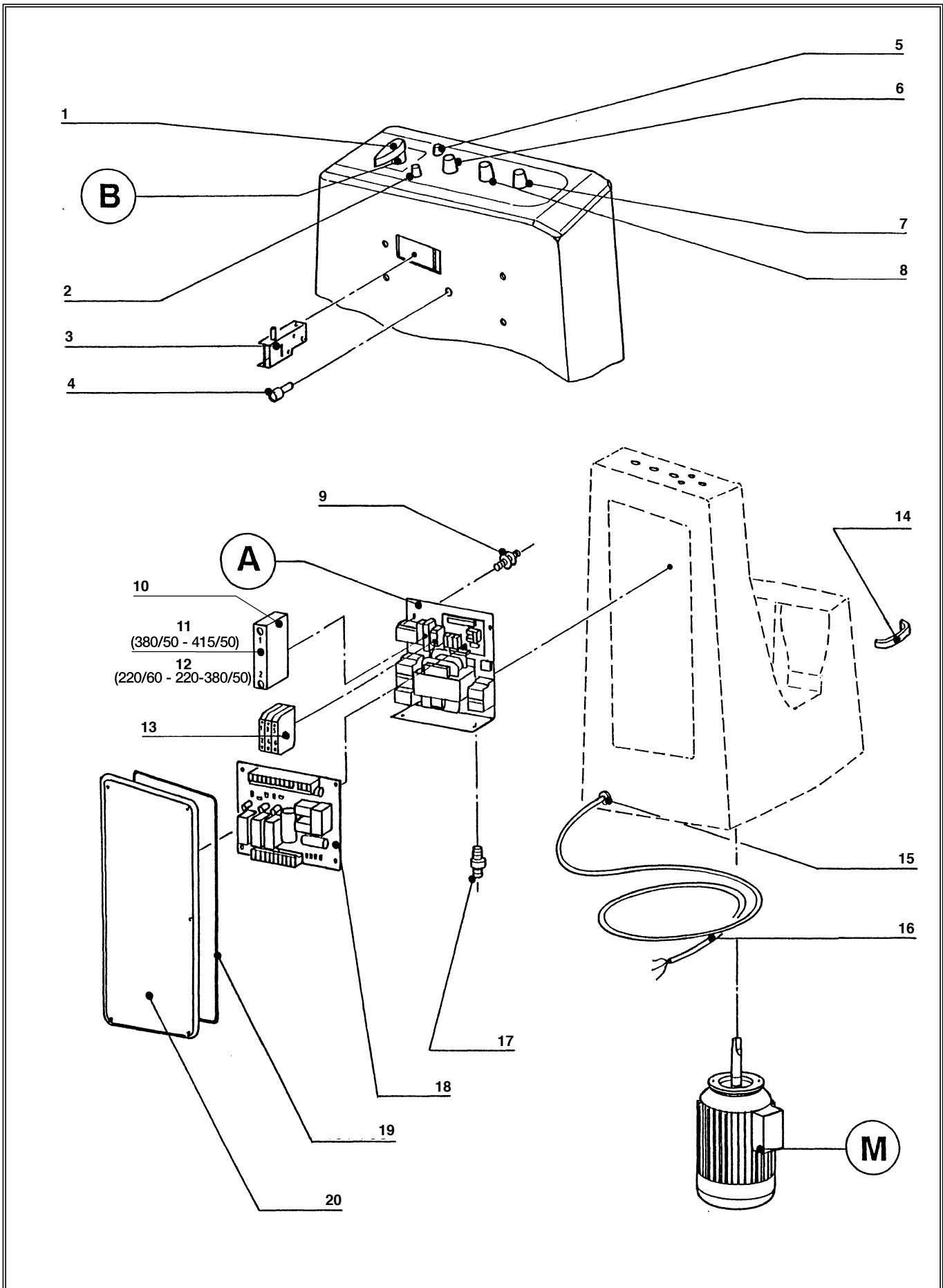




INDEX	REF.	DESIGNATION	Pricelist in : EUR
1	130174	R800 SWITCH HANDLE-HEX	12,95
2	120923	R25B ROTARY SWITCH COWL	30,90
3	511676	ROTARY SWITCH	384,30
4	302021	MOTOR	1 030,10
5	59010	R25B S.10 LID SWITCH ASSEMBLY	61,60
6	69817	R40B REED SWITCH ASSEMBLY	37,00
7	508860	R60BA TIMER DIAL	111,80
8	509223	R60BA CONTACTOR 48V CA2 DN22E7	62,40
9	509784	COIL D 09 48 V	64,15
10	515405	COIL D 16 48 V	85,50
11	515372	CONTACTOR 25 A	128,15
12	141504	CONTACTOR SUPPORT	10,85
13	511621	R25B RECTIFIER	28,65
14	511600	WATER-TIGHT CAP	9,55
15	69718	CONTACT SWITCH	80,25
16	108339	R25B OVERLOAD RELAY SEAL	3,90
17	504823	SWITCH GEAR	41,00
18	511643	FUSE	2,95
19	511632	FUSE SUPPORT	12,75
20	100984	DISCONNECTOR SUPPORT	26,75
21	59213	R25B S.10 SHOCK ABSORBER	2,80
22	127655	ABSORBER ASS	7,10
23	511544	RELAY SUPPORT	24,10
24	503954	THERMAL RELAY	96,85
25	500566	POWER CORD	47,30
26	118822	WIRE DUCT	6,50
27	511940	TRANSFORMER	256,30
28	514778	R10 SHOCK ABSORBER	9,30
29	508860	R60BA TIMER DIAL	111,80
30	511533	ADDITIONAL CONTACT	20,15
31	511555	R25B CONTACTOR LC1 D253E 48V	123,15
32	515405	COIL D 16 48 V	85,50



INDEX	REF.	DESIGNATION	Pricelist in : EUR
1	29108	R10 LID COVER	41,05
2	502639	R10 LID CENTRE SEAL	1,85
3	500907	R10 LID COVER SEAL	7,55
4	59099	R25BA LID LATCH ASSEMBLY	97,70
5	101733	R25A LID SEAL 20MM	41,05
6	59105	R25BA LID ASSEMBLY	301,65
7	59102	R25BA BOWL	754,90
8	100914	R25B BOWL LOCK KNOB-METAL	41,05
9	117146	BLADE DISMONTING HOLDER	13,70
10	101822	R25BA SOCKET KEY	38,05
11	102044	R25/R40 SAFETY FINGER	10,40
12	59101	HINGE ASS	70,05
13	105875	R25B HINGE BUSH	2,00
14	59098	HINGE PIN ASS	31,70
15	59103	TILTING FRONT AXE	178,15
16	110418	R60B BRONZE COLLAR	64,95
17	100384	R60 TILT ARM KNOB	37,75
18	69135	TILTING ARM ASS	116,75
19	101770	LOCKING NUT FLANGE	19,15
20	110495	R25B TILT ARM COLLAR	100,85
21	69124	R25B TILT ARM BRACKET	353,10
22	400744	FRONT PLATE	11,30
23	59106	BASE ASS	830,50
24	59455	R25B WHEEL & BRACKET	55,45
25	101316	R10/R20 S5 SAFETY FINGER	2,75
26	101659	R25BA LID SPRING	51,05
27	101657	LID SHAFT	102,05
28	101990	R25A/R40A MAGNET CAP	10,15
29	501000	R8 MAGNET	0,65
30	504449	R25B BOWL SEAL	2,45
31	501710	R800 MOTOR SEAL 30x40x8	3,15
32	59104	SEALING SOCKET ASS	86,60
33	101731	SPACER	429,75
34	69113	MOTOR COVER ASS	294,80
35	401139	CONTROL PANNEL PLATE	32,30
36	500445	C120 PADDLE ASS LOCK KNOB	4,50
37	59950	PIN ASSEMBLY	9,45
38	116413	THRUST ARM	84,75
39	59170	NYLON THRUST BLOCK	44,20
40	69147	R60BA VERTICAL BEARING BLOCK	101,40
41	69157	TILTING BLOCK AXE	205,50
42	116787	BOWL THRUST	10,70
43	59807	R25 S5 MOTOR SUPPORT	8,70
44	116798	R60B FOOT	9,25
45	59807	R25 S5 MOTOR SUPPORT	8,70
46	116798	R60B FOOT	9,25



- (A)** ELECTRIC CIRCUIT BOARD
- (B)** R10 ROTARY SWITCH
- (M)** MOTOR

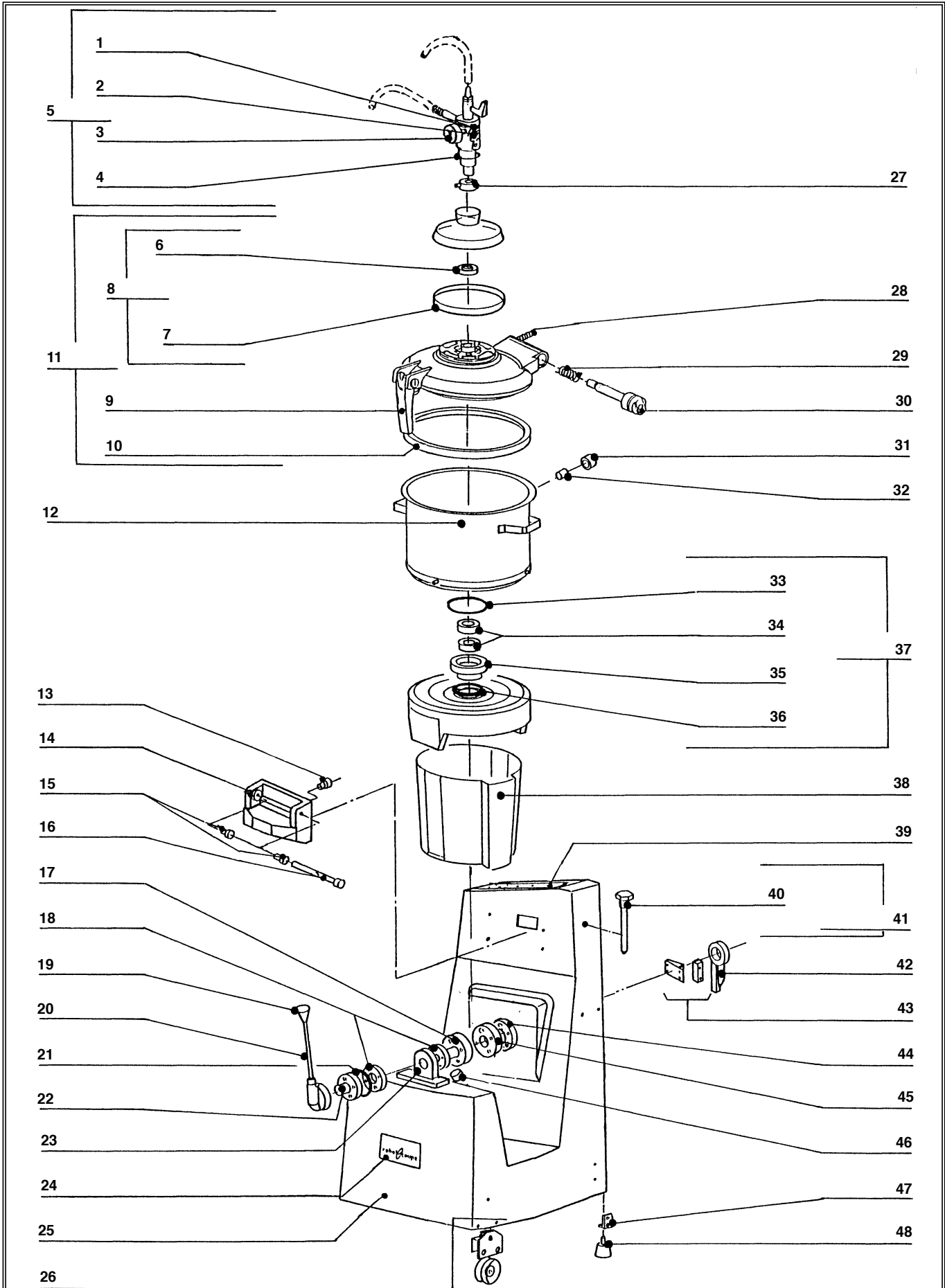
INDEX	REF.	DESIGNATION	Pricelist in : EUR
1	500556	R10 ROTARY SWITCH HANDLE	14,80
2	500518	R10 GREEN INDICATOR	6,75
3	29262	R10a SAFTEY SWITCH ASSEMBLY	62,65
4	29318	R25BA REED SWITCH ASSEMBLY	37,00
5	500520	R10 CLEAR INDICATOR	6,75
6	500301	BLACK KNOB	31,85
7	500321	RED KNOB	32,90
8	500322	GREEN KNOB	32,90
9	502876	ABSORBER	7,60
10	503115	8X31 FUSE THERMINAL	10,85
11	503111	8X31 12AGG FUSE	5,05
12	503112	8X31 20A GL FUSE	4,30
13	29165	FUSE ASS	24,25
14	500561	CL60 HANDLE	33,75
15	501773	WIRE DUCT	4,40
16	502686	POWER CORD	85,60
17	514778	R10 SHOCK ABSORBER	9,30
18	29070	R10 PCB	127,05
19	101736	R25 BACK PANEL SEAL	25,20
20	101662	ACCESS FLAP DOOR	119,45

**robot coupe®**

**R25B "A"**

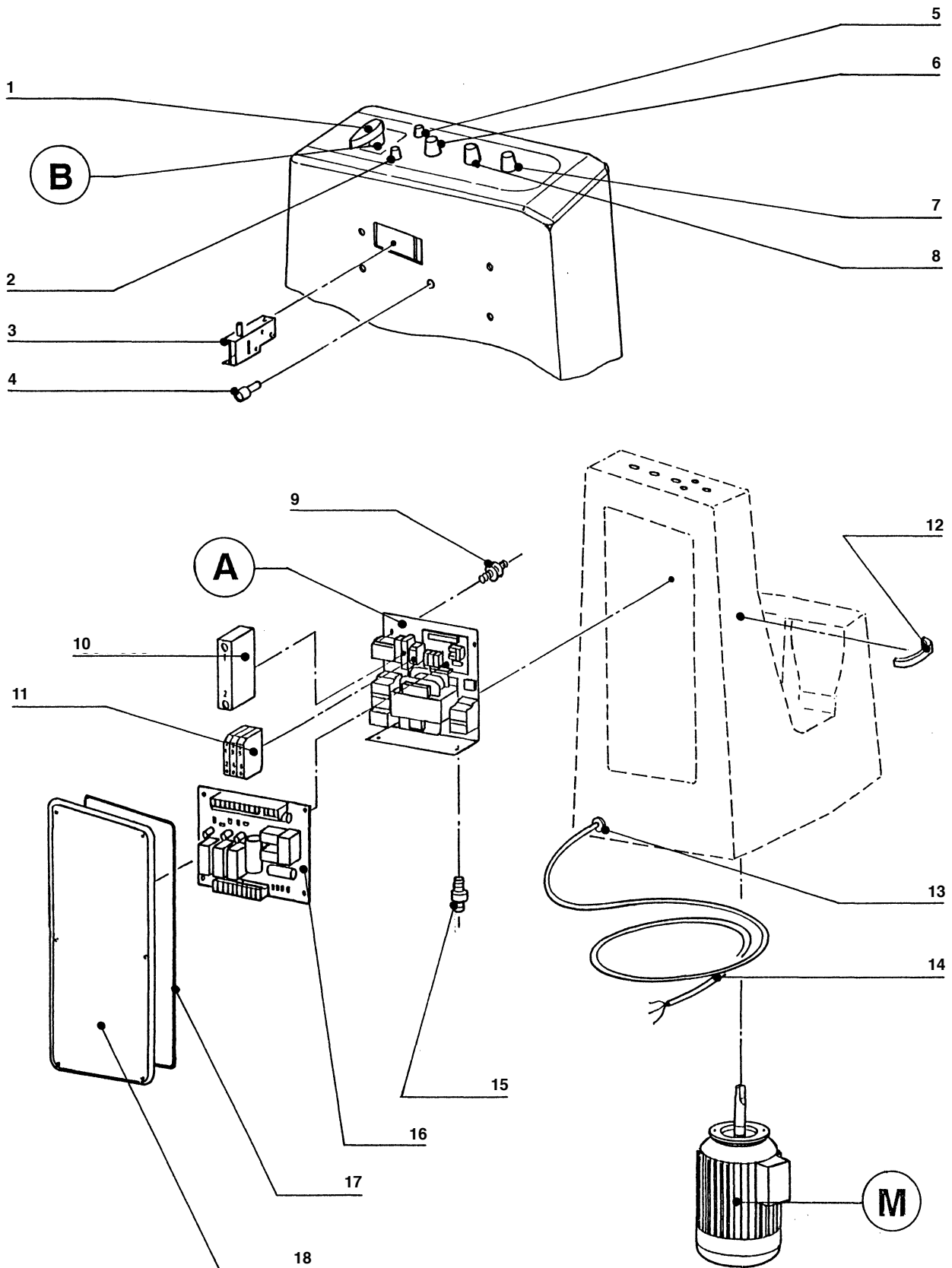
**Pricelist in : EUR**

N°	M	Voltage	A	B	
52290	302028 997,60	380 / 50 / 3	59046 805,60	502637 107,65	
52291	302021 1 030,10	220/380 / 50 / 3	59047 805,60	500550 183,10	
52292	302019 997,60	220 / 60 / 3	59047 805,60	502637 107,65	



INDEX	REF.	DESIGNATION	Pricelist in : EUR
1	500546	VACUM SEAL	2,40
2	500547	FILTRE	93,25
3	500548	MANOMETER	180,80
4	500545	VACUM SEAL	1,80
5	29076	VCM VACUUM KIT	See Price list
6	502639	R10 LID CENTRE SEAL	1,85
7	500907	R10 LID COVER SEAL	7,55
8	29108	R10 LID COVER	41,05
9	59099	R25BA LID LATCH ASSEMBLY	97,70
10	101733	R25A LID SEAL 20MM	41,05
11	59105	R25BA LID ASSEMBLY	301,65
12	59112	BOWL ASS	973,50
13	102044	R25/R40 SAFETY FINGER	10,40
14	59101	HINGE ASS	70,05
15	105875	R25B HINGE BUSH	2,00
16	59098	HINGE PIN ASS	31,70
17	59103	TILTING FRONT AXE	178,15
18	110418	R60B BRONZE COLLAR	64,95
19	100384	R60 TILT ARM KNOB	37,75
20	69135	TILTING ARM ASS	116,75
21	101770	LOCKING NUT FLANGE	19,15
22	110495	R25B TILT ARM COLLAR	100,85
23	69124	R25B TILT ARM BRACKET	353,10
24	400744	FRONT PLATE	11,30
25	59106	BASE ASS	830,50
26	59455	R25B WHEEL & BRACKET	55,45
27	29174	ADAPTATOR NUT	107,45
28	101316	R10/R20 S5 SAFETY FINGER	2,75
29	101659	R25BA LID SPRING	51,05
30	101657	LID SHAFT	102,05
31	101990	R25A/R40A MAGNET CAP	10,15
32	501000	R8 MAGNET	0,65
33	500503	SEAL	7,20
34	500183	SEAL RING	12,60
35	100739	SEAL SUPPORT	85,60
36	502582	SEAL	1,95
37	59036	SPACER ASS	878,80
38	69113	MOTOR COVER ASS	294,80
39	401139	CONTROL PANNEL PLATE	32,30
40	500445	C120 PADDLE ASS LOCK KNOB	4,50
41	59950	PIN ASSEMBLY	9,45
42	116413	THRUST ARM	84,75
43	59170	NYLON THRUST BLOCK	44,20
44	69147	R60BA VERTICAL BEARING BLOCK	101,40
45	69157	TILTING BLOCK AXE	205,50
46	116787	BOWL THRUST	10,70
47	59807	R25 S5 MOTOR SUPPORT	8,70
48	116798	R60B FOOT	9,25





- (A)** ELECTRIC CIRCUIT BOARD
- (B)** R10 ROTARY SWITCH
- (M)** MOTOR

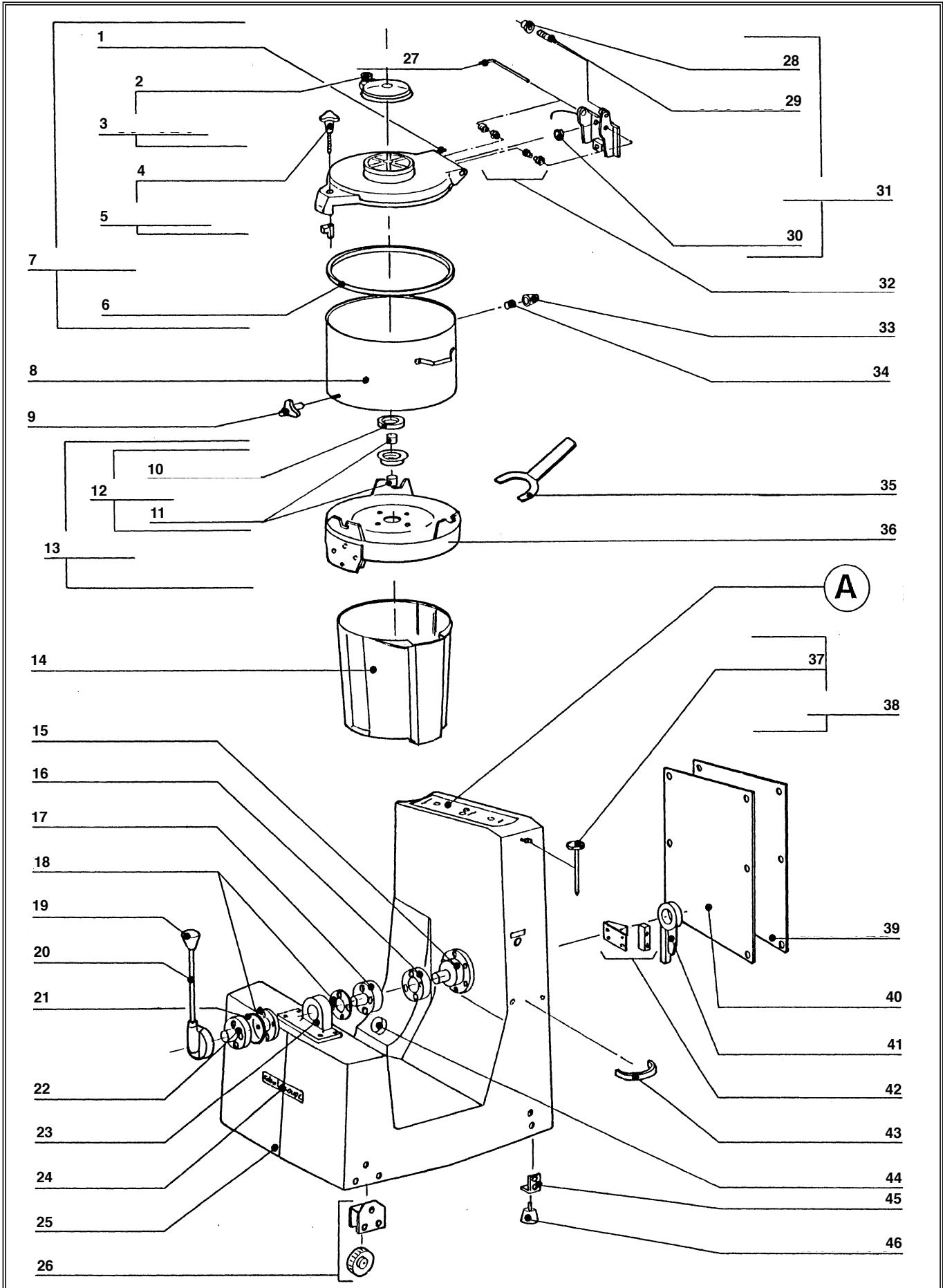
INDEX	REF.	DESIGNATION	Pricelist in : EUR
1	500556	R10 ROTARY SWITCH HANDLE	14,80
2	500518	R10 GREEN INDICATOR	6,75
3	29262	R10a SAFTEY SWITCH ASSEMBLY	62,65
4	69817	R40B REED SWITCH ASSEMBLY	37,00
5	500520	R10 CLEAR INDICATOR	6,75
6	500301	BLACK KNOB	31,85
7	500321	RED KNOB	32,90
8	500322	GREEN KNOB	32,90
9	502876	ABSORBER	7,60
10	501839	R25BA FUSE	Contact us
11	29165	FUSE ASS	24,25
12	59500	HANDLE ASS	16,65
13	118822	WIRE DUCT	6,50
14	500566	POWER CORD	47,30
15	514778	R10 SHOCK ABSORBER	9,30
16	29070	R10 PCB	127,05
17	101736	R25 BACK PANEL SEAL	25,20
18	101662	ACCESS FLAP DOOR	119,45

**robot coupe**

**R25B "A" Sous-Vide**

**Pricelist in : EUR**

N°	M	Voltage	A	B	
52804SV	302021 1 030,10	220/380 / 50 / 3	59047 805,60	500550 183,10	



**A**

FRONT PLAT R25B COMMUT

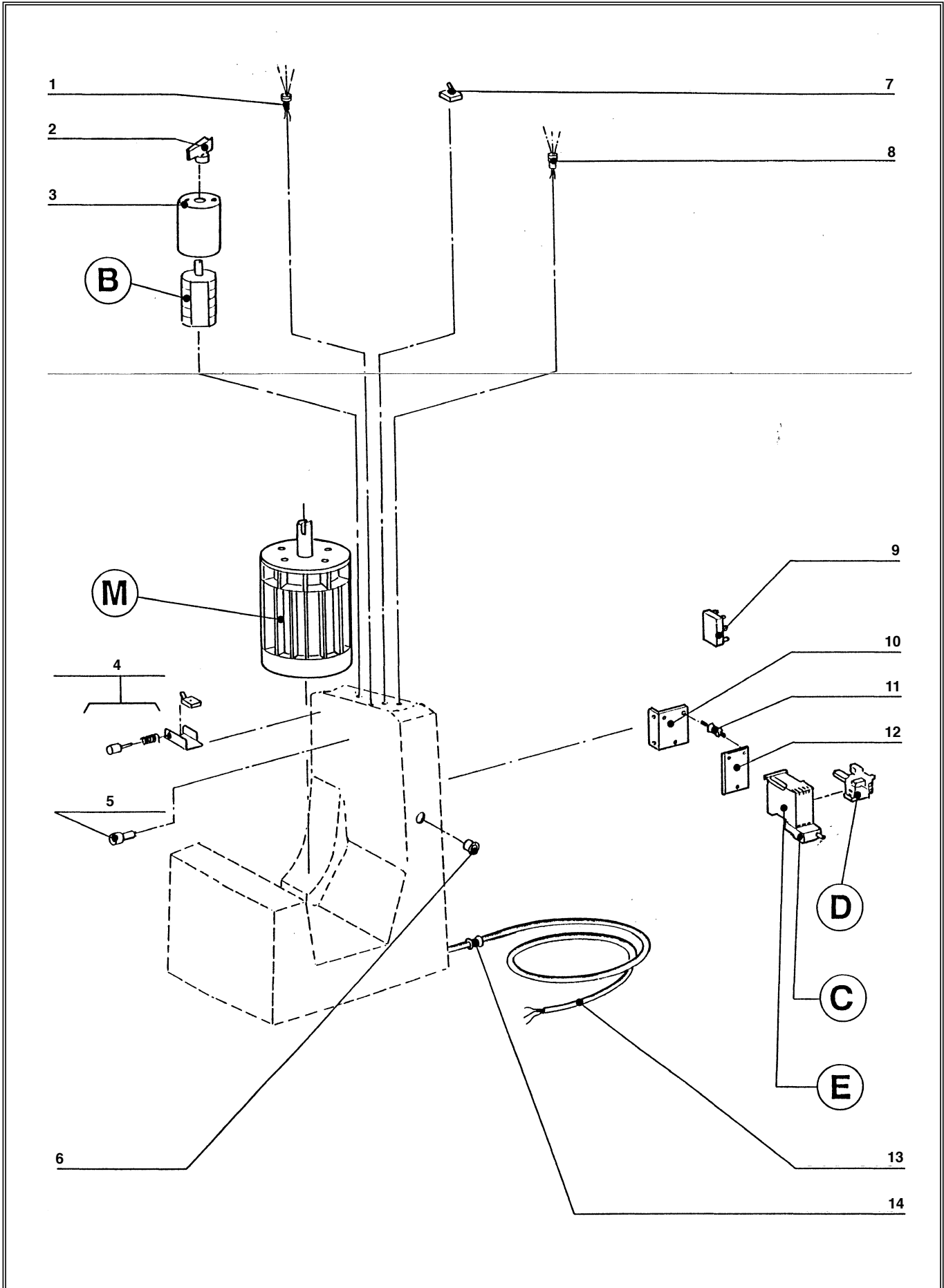
INDEX	REF.	DESIGNATION	Pricelist in : EUR
1	59961	R60B LID SWITCH ACTUATOR	6,35
2	500280	PLASTIC CAP KNOB	2,65
3	59026	R25B LID COVER	25,10
4	100913	CLAMP KNOB	43,15
5	59631	R25B LID LOCK KNOB ASSEMBLY	94,75
6	100965	R60B LID SEAL-12MM SQUARE	41,05
7	59896	R25B LID ASSEMBLY	301,65
8	59830	BOWL ASS	754,90
9	100914	R25B BOWL LOCK KNOB-METAL	41,05
10	504449	R25B BOWL SEAL	2,45
11	501710	R800 MOTOR SEAL 30x40x8	3,15
12	59104	SEALING SOCKET ASS	86,60
13	69037	R25B MOTOR SUPPORT	527,80
14	69113	MOTOR COVER ASS	294,80
15	69147	R60BA VERTICAL BEARING BLOCK	101,40
16	69157	TILTING BLOCK AXE	205,50
17	59103	TILTING FRONT AXE	178,15
18	110418	R60B BRONZE COLLAR	64,95
19	100384	R60 TILT ARM KNOB	37,75
20	69135	TILTING ARM ASS	116,75
21	101770	LOCKING NUT FLANGE	19,15
22	110495	R25B TILT ARM COLLAR	100,85
23	69124	R25B TILT ARM BRACKET	353,10
24	400744	FRONT PLATE	11,30
25	59025	BASE ASS	622,85
26	59455	R25B WHEEL & BRACKET	55,45
27	59037	R25B HINGE PIN	17,15
28	206448	BALL DRIVER NUT	10,60
29	505220	BALL DRIVER	20,55
30	127710	R25B S.10 SWITCH SEAL	8,25
31	59730	R25B S.10 HINGE BRACKET	70,05
32	59021	SHOULDERED RING ASS	6,25
33	127700	R25 S.10 BOWL MAGNET BLOCK	11,55
34	501000	R8 MAGNET	0,65
35	101822	R25BA SOCKET KEY	38,05
36	101731	SPACER	429,75
37	500445	C120 PADDLE ASS LOCK KNOB	4,50
38	59950	PIN ASSEMBLY	9,45
39	126511	ACCESS FLAP DOOR	86,55
40	126588	ACCESS FLAP DOOR SEAL	30,80
41	116413	THRUST ARM	84,75
42	59170	NYLON THRUST BLOCK	44,20
43	59500	HANDLE ASS	16,65
44	116787	BOWL THRUST	10,70
45	59807	R25 S5 MOTOR SUPPORT	8,70
46	116798	R60B FOOT	9,25

**robot coupe®**

**R25B Série 5**

**Pricelist in : EUR**

N°	M	Voltage	A	
52228	302028 997,60	380 / 50 / 3	400318 32,30	
52240	302019 997,60	220 / 60 / 3	400318 32,30	
52250	302021 1 030,10	220/380 / 50 / 3	400306 32,30	



- (B)** COMMUTATOR
- (C)** R25B OVERLOAD RELAY 13-18A
- (D)** COIL
- (E)** CONTACTOR
- (M)** MOTOR

INDEX	REF.	DESIGNATION	Pricelist in : EUR
1	502788	GREEN LAMP	9,05
2	502810	R800 SWITCH HANDLE-STAR	13,55
3	120923	R25B ROTARY SWITCH COWL	30,90
4	59010	R25B S.10 LID SWITCH ASSEMBLY	61,60
5	69817	R40B REED SWITCH ASSEMBLY	37,00
6	108339	R25B OVERLOAD RELAY SEAL	3,90
7	29106	R25B ON/OFF SWITCH-TOGGLE	12,85
8	502898	R25B INDICATOR-ORANGE	7,70
9	504823	SWITCH GEAR	41,00
10	100984	DISCONNECTOR SUPPORT	26,75
11	59213	R25B S.10 SHOCK ABSORBER	2,80
12	112750	ABSORBER SUPPORT	8,25
13	500566	POWER CORD	47,30
14	118822	WIRE DUCT	6,50

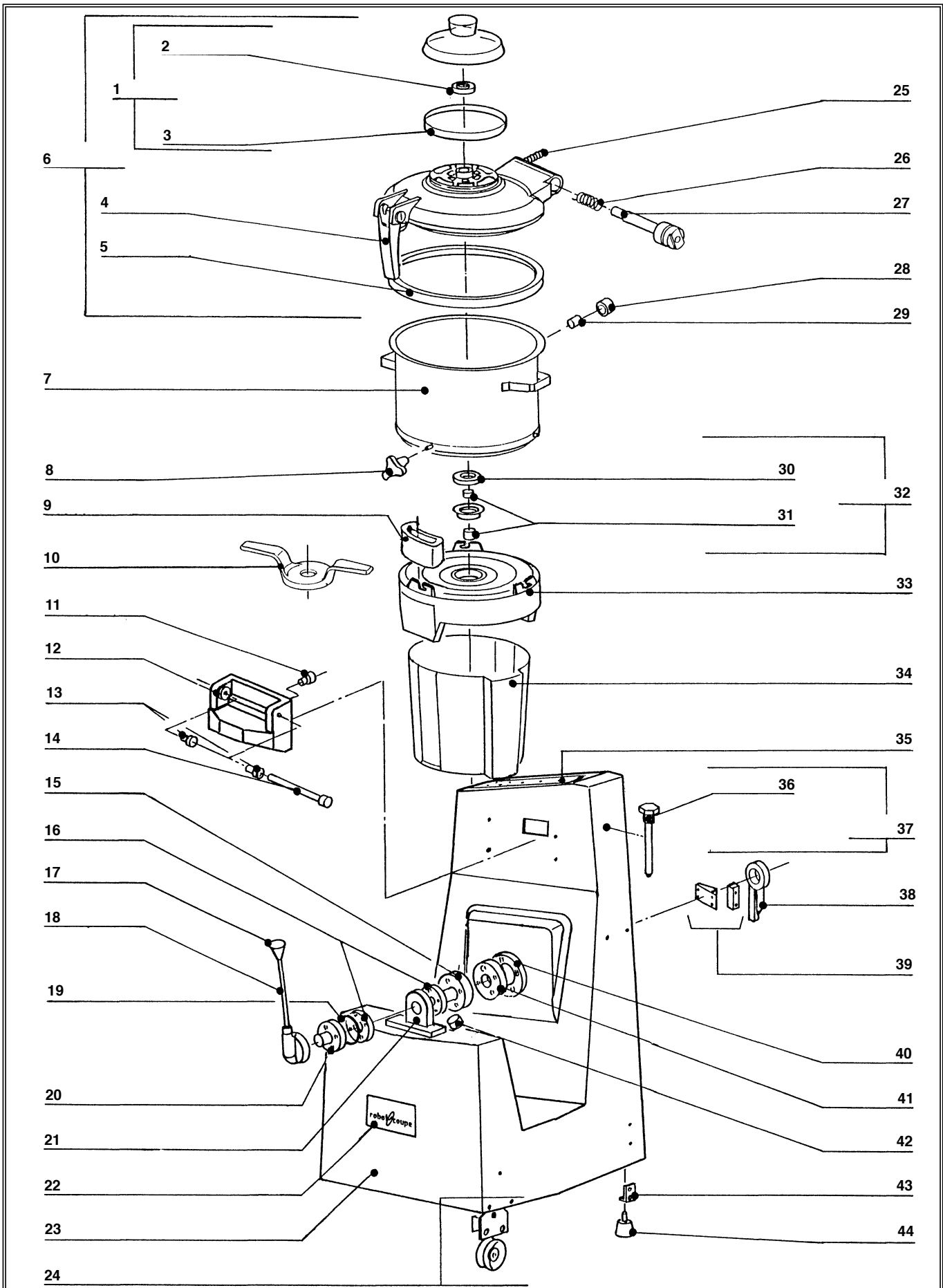




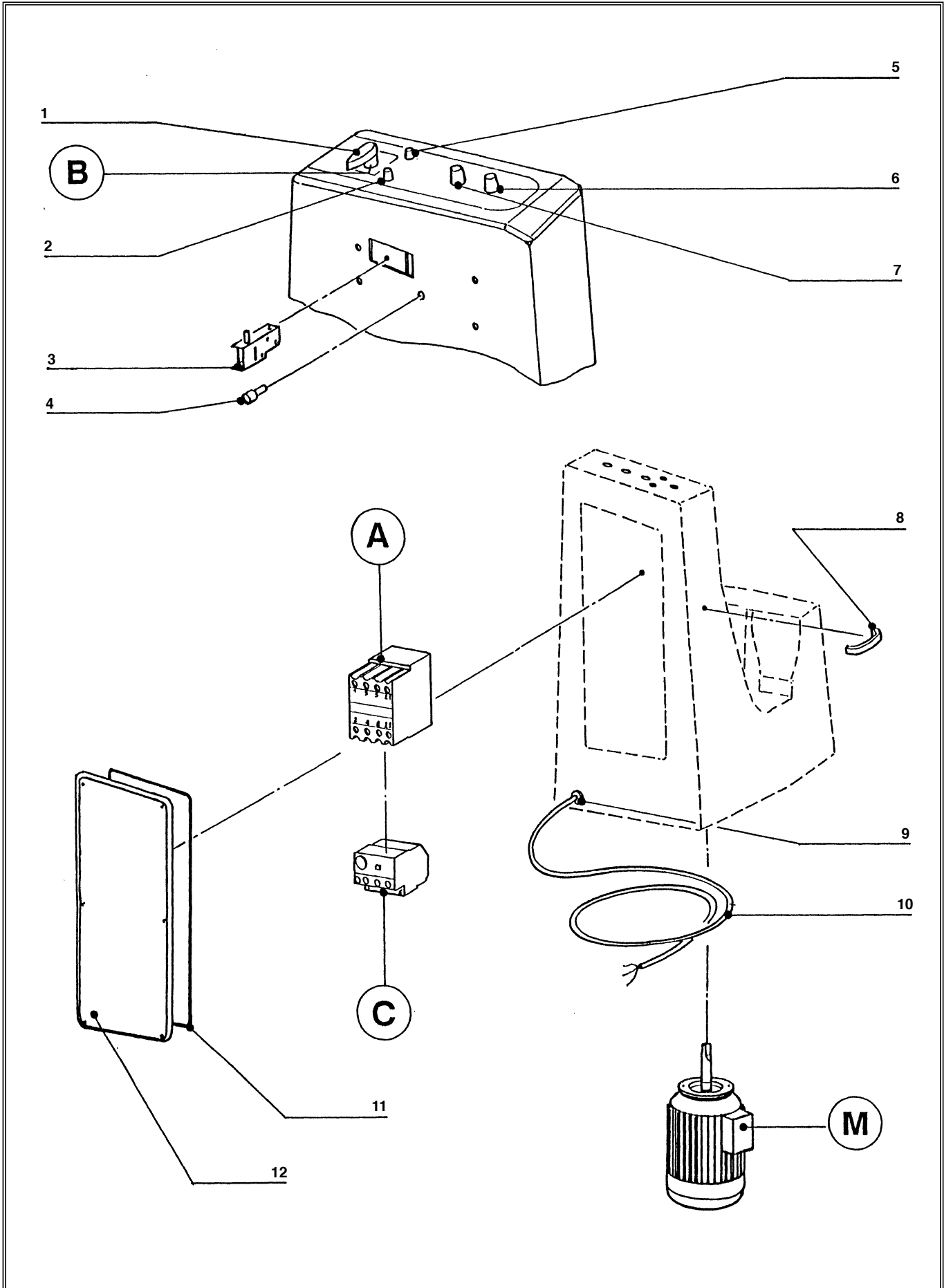
## R25B Série 5

Pricelist in : EUR

N°	M	Voltage	B	C	D	E	
52228	302028 997,60	380 / 50 / 3	59062 140,45	503965 91,20	507640 111,05	507639 127,50	
52240	302019 997,60	220 / 60 / 3	59062 140,45	503954 96,85	504097 40,65	503899 123,15	
52250	302021 1 030,10	220/380 / 50 / 3	59063 249,05	503954 96,85	507640 111,05	507639 127,50	



INDEX	REF.	DESIGNATION	Pricelist in : EUR
1	29108	R10 LID COVER	41,05
2	502639	R10 LID CENTRE SEAL	1,85
3	500907	R10 LID COVER SEAL	7,55
4	59099	R25BA LID LATCH ASSEMBLY	97,70
5	101733	R25A LID SEAL 20MM	41,05
6	59105	R25BA LID ASSEMBLY	301,65
7	59102	R25BA BOWL	754,90
8	100914	R25B BOWL LOCK KNOB-METAL	41,05
9	117146	BLADE DISMONTING HOLDER	13,70
10	101822	R25BA SOCKET KEY	38,05
11	102044	R25/R40 SAFETY FINGER	10,40
12	59101	HINGE ASS	70,05
13	105875	R25B HINGE BUSH	2,00
14	59098	HINGE PIN ASS	31,70
15	59103	TILTING FRONT AXE	178,15
16	110418	R60B BRONZE COLLAR	64,95
17	100384	R60 TILT ARM KNOB	37,75
18	69135	TILTING ARM ASS	116,75
19	101770	LOCKING NUT FLANGE	19,15
20	110495	R25B TILT ARM COLLAR	100,85
21	69124	R25B TILT ARM BRACKET	353,10
22	400744	FRONT PLATE	11,30
23	59111	BASE ASS	830,50
24	59455	R25B WHEEL & BRACKET	55,45
25	101316	R10/R20 S5 SAFETY FINGER	2,75
26	101659	R25BA LID SPRING	51,05
27	101657	LID SHAFT	102,05
28	101990	R25A/R40A MAGNET CAP	10,15
29	501000	R8 MAGNET	0,65
30	504449	R25B BOWL SEAL	2,45
31	501710	R800 MOTOR SEAL 30x40x8	3,15
32	59104	SEALING SOCKET ASS	86,60
33	101731	SPACER	429,75
34	69113	MOTOR COVER ASS	294,80
35	401232	R25BA CONTROL PANEL PLATE	31,55
36	500445	C120 PADDLE ASS LOCK KNOB	4,50
37	59950	PIN ASSEMBLY	9,45
38	116413	THRUST ARM	84,75
39	59170	NYLON THRUST BLOCK	44,20
40	69147	R60BA VERTICAL BEARING BLOCK	101,40
41	69157	TILTING BLOCK AXE	205,50
42	116787	BOWL THRUST	10,70
43	59807	R25 S5 MOTOR SUPPORT	8,70
44	116798	R60B FOOT	9,25



**robot coupe**

**R25B "A" Série 5**

- (A)** CONTACTOR
- (B)** R10 ROTARY SWITCH
- (C)** R25B OVERLOAD RELAY 13-18A
- (M)** MOTOR

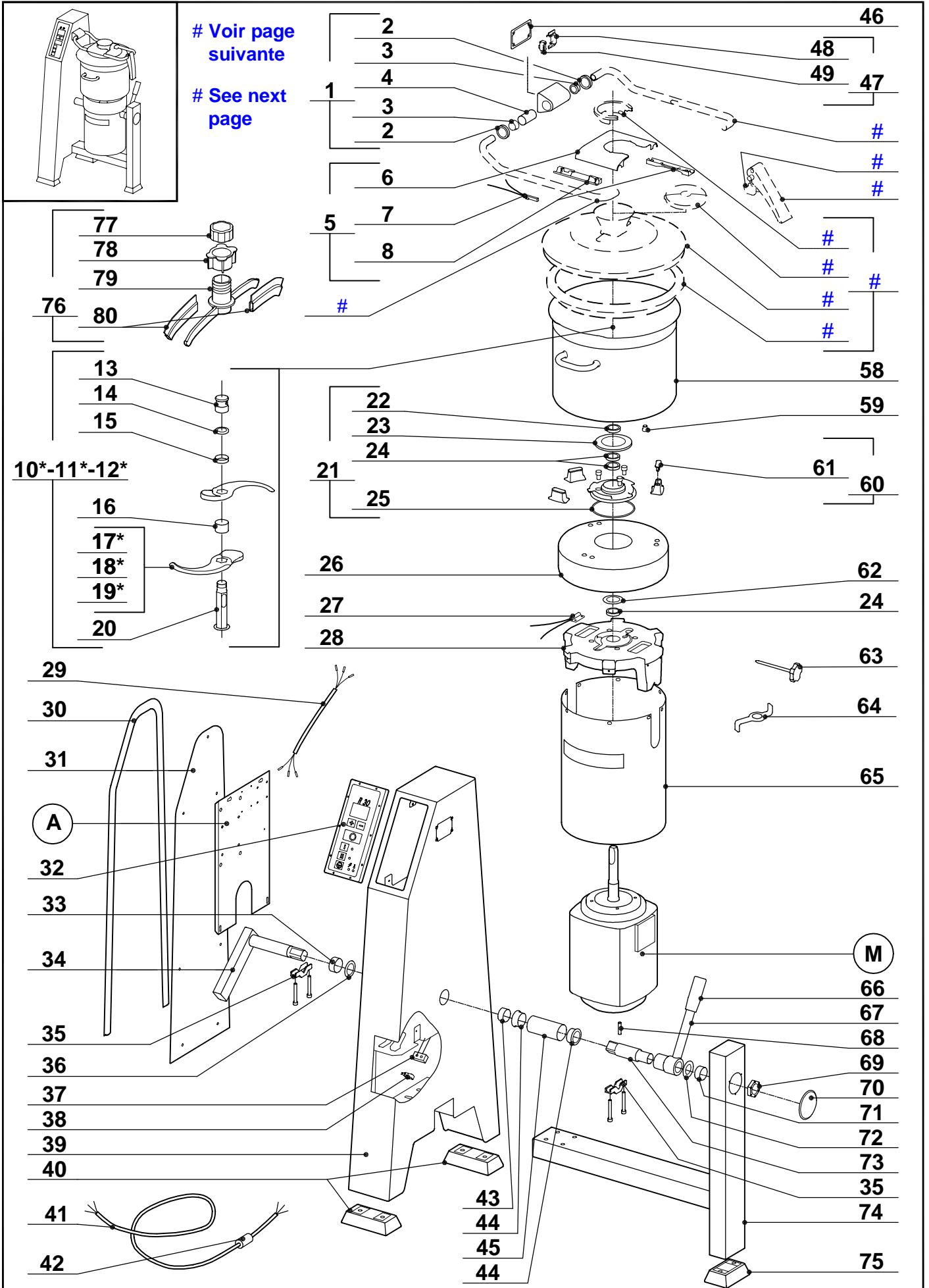
INDEX	REF.	DESIGNATION	Pricelist in : EUR
1	500556	R10 ROTARY SWITCH HANDLE	14,80
2	502788	GREEN LAMP	9,05
3	29270	R10 (D) SAFETY SWITCH ASS	62,65
4	29318	R25BA REED SWITCH ASSEMBLY	37,00
5	505252	CRISTAL LAMP	7,70
6	500321	RED KNOB	32,90
7	500322	GREEN KNOB	32,90
8	500561	CL60 HANDLE	33,75
9	501773	WIRE DUCT	4,40
10	502686	POWER CORD	85,60
11	101736	R25 BACK PANEL SEAL	25,20
12	101662	ACCESS FLAP DOOR	119,45

**robot coupe®**

**R25B "A" Série 5**

**Pricelist in : EUR**

N°	M	Voltage	A	B	C	
52294	302028 997,60	380 / 50 / 3	507639 127,50	502637 107,65	503965 91,20	
52295	302021 1 030,10	220-380 / 50 / 3	507639 127,50	500550 183,10	503954 96,85	
52296	302019 997,60	220 / 60 / 3	503899 123,15	502637 107,65	503954 96,85	



**(A)** PCB R23/R30 COMMUTABLE

**(M)** MOTOR

INDEX	REF.	DESIGNATION	Pricelist in : EUR
1	59128	HINGE ASSEMBLY	146,25
2	501424	SEALING RING 20X30	2,55
3	118126	BUSH	0,75
4	118253	R45 LID SWITCH CAM	3,15
5	59130	LID SUPPORT ASSEMBLY	176,65
6	118101	R23-R60 LID SUPPORT	152,80
7	118132	R30 LID REED SWITCH	10,95
8	59131	ARM CLIP ASSEMBLY	13,10
10	57074	R30 FLAT (3) BLADE ASSEMBLY	See Price list
11	57075	R30 COARSE SERRATED (3) BLADE ASSEMBLY	See Price list
12	57077	R30 FINE SERRATED (3) BLADE ASSEMBLY	See Price list
13	118202	R30 SHAFT CAP	78,15
14	118203	PLASTIC WASHER	6,50
15	118201	10mm BLADE SPACER	15,95
16	118200	32mm BLADE SPACER	25,40
17	117950	R30 FLAT BLADE (1)	See Price list
18	118286	R30 COARSE SERRATED BLADE (1)	See Price list
19	118241	R30 (1) FINE SERRATED BLADE	See Price list
20	117930	R30 BLADE SHAFT	107,65
21	59133	R23/R30 MOTOR SEAL SOCKET ASSEMBLY	174,00
22	507168	SHAFT SEAL	13,70
23	118153	BOWL SEAL	8,70
24	501105	R30 SEAL 30X40X7	2,45
25	507050	O RING	3,15
26	118151	UPPER MOTOR COVER	79,85
27	118157	R30 BOWL REED SWITCH	9,75
28	59197	MOTOR SUPPORT ASSEMBLY	333,10
29	118127	SAFETY WIRING	5,40
30	118256	CASING ACCESS DOOR SEAL	22,90
31	117935	CASING ACCESS DOOR	168,15
32	59139	SWITCH PANEL 6 TOUCH PADS	176,50
33	118146	BACK TILTING PIVOT SPACER	22,10
34	59135	BACK TILTING PIVOT ASSEMBLY	116,50
35	119214	TILTING PIVOT STAPLE	13,95
36	118147	BACK THRUST WASHER	18,40
37	117959	TILTING THRUST	19,10
38	507007	MP450/550 MICROSWITCH	2,40
39	117934	CASING	727,50
40	118186	CASING FOOT	21,80
41	502686	POWER CORD	85,60
42	515515	CL60 CABLE GROMMET	3,45
43	118148	BACK BEARING BUSH	2,45
44	118150	SLEEVE BUSH	2,65
45	118149	SLEEVE 107mm	23,00
46	118255	HINGE FLAT SEAL	2,45
47	59127	SAFETY SWITCH ASSEMBLY	18,60
48	118254	SWITCH SUPPORT	4,00
49	501258	SAFETY SWITCH	14,65
58	59132	R30 BOWL	553,15
59	118171	SAFETY PLUG	7,85
60	59165	BOWL THRUST ASSEMBLY	92,00
61	118595	PLASTIC BOWL THRUST	1,30
62	118155	R30 MOTOR DEFLECTOR	22,15
63	59950	PIN ASSEMBLY	9,45
64	118267	KNIFE TOOL	15,05
65	118296	BOTTOM MOTOR COVER	220,45
66	118142	R30 TILT ARM END COVER	5,65
67	59138	R30 TILT ARM	116,50
68	208582	R172 STAR WASHER N/A	6,65



INDEX	REF.	DESIGNATION	Pricelist in : EUR
69	118166	R30 HEX ADJUSTING NUT	14,40
70	117956	PLUG	14,90
71	118144	FRONT BEARING BUSH	2,45
72	118143	FRONT THRUST WASHER	2,45
73	59137	FRONT TILTING PIVOT ASSEMBLY	70,25
74	117936	STAND	295,40
75	117958	STAND FOOT	21,80
76	59206	LID WIPER ASSEMBLY	48,70
77	118227	LID WIPER NUT	3,80
78	118228	LID WIPER GUIDE	3,85
79	118221	LID WIPER	16,75
80	118224	LID SOFT WIPER	5,95

N°	M	Voltage	A	
52032	303065 1 303,85	230-400 / 50 / 3	117990 756,55	
52033	303062 1 000,05	400 / 50 / 3	117987 582,20	
52034	303125 1 024,45	220 / 60 / 3	117989 773,15	

- Déterminer votre type de R30 suivant les formes du joint et du crochet de couvercle.
- Chose your kind of R30 between seal and lid hook shapes.

1a	1a	1b
2a	2a	2b
3	3a	3b
4	4a	4b
5a	5b	5b
6	6	6
7	7	7
8a	8a	8b
9a	9b	9b

- (A)** PCB R23/R30 COMMUTABLE
- (B)** BREAK FUSE
- (C)** THERMAL RELAY
- (D)** PRIMARY FUSE 48V
- (E)** HIGHT SPEED CONTACTOR
- (F)** HIGHT SPEED CONTACTOR
- (G)** (DA) Contactor, R30T
- (H)** (DA) Contactor, R30T

INDEX	REF.	DESIGNATION	Pricelist in : EUR
1a	118107	LEFT LID TUBE	50,05
1b	119207	LEFT LID TUBE	52,45
2a	118106	RIGHT LID TUBE	50,05
2b	119206	RIGHT LID TUBE	52,45
3	59250	LID HOOK	Contact us
3a	118172	LID HOOK	47,30
3b	119212	R45 LID LATCH HOOK	49,65
4	59251	LID HANDLE ASSEMBLY	Contact us
4a	59129	LID HANDLE ASSEMBLY	183,45
4b	59196	R45 LID LATCH ASSEMBLY	183,45
5a	59252	COMPLETE LID ASSEMBLY	Contact us
5b	59126	R30 LID ASSEMBLY	179,50
6	118100	R30 LID CENTRE SUPPORT SEAL	9,60
7	118573	R23-R60 LID CAP	27,75
8a	118178	R30 LID PLASTIC ONLY	111,20
8b	119252	PLASTIC LID	118,96
9a	59253	LID SEAL	Contact us
9b	119184	R30 LID SEAL N/S FLAT	58,70

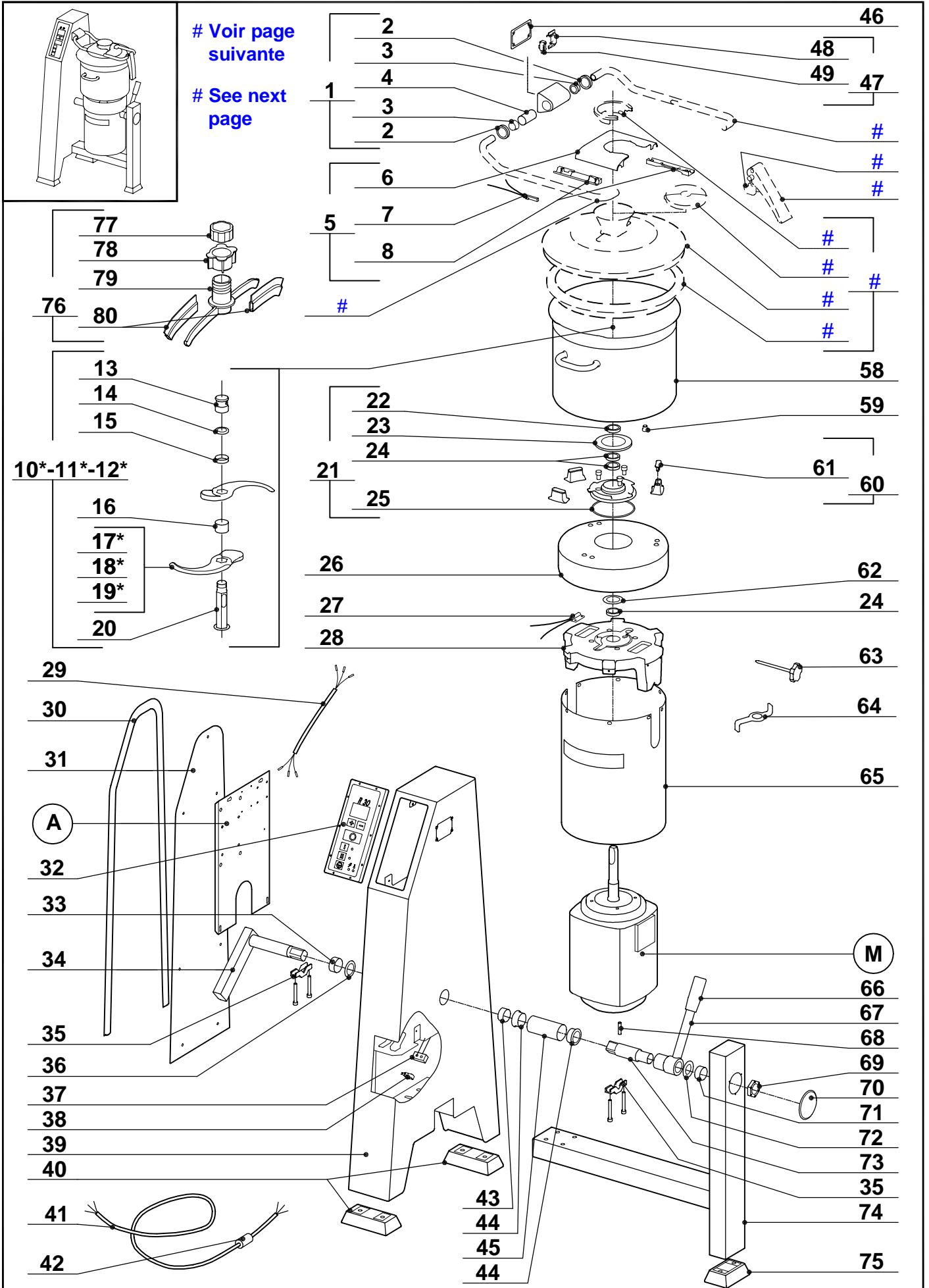
N°	M	Voltage	A	B	C	D	E	F	G	
52032	303065 1 303,85	230-400 / 50 / 3	117990 756,55	503356 3,20	503376 51,55	503108 3,20	503364 44,60	503364 44,60	503362 66,75	
52033	303062 1 000,05	400 / 50 / 3	117987 582,20	503355 3,20	503354 35,65	500537 3,00	503363 27,25	503363 27,25	503363 27,25	
52034	303125 1 024,45	220 / 60 / 3	117989 773,15	503356 3,20	503376 51,55	503108 3,20	503364 44,60	503364 44,60	503364 44,60	

**robot coupe®**

**R30**

**Pricelist in : EUR**

N°	M	Voltage	H	
52032	303065 1 303,85	230-400 / 50 / 3	503362 66,75	
52033	303062 1 000,05	400 / 50 / 3	503363 27,25	
52034	303125 1 024,45	220 / 60 / 3	503364 44,60	



**(A)** PCB R23/R30 COMMUTABLE

**(M)** MOTOR

INDEX	REF.	DESIGNATION	Pricelist in : EUR
1	59128	HINGE ASSEMBLY	146,25
2	501424	SEALING RING 20X30	2,55
3	118126	BUSH	0,75
4	118253	R45 LID SWITCH CAM	3,15
5	59130	LID SUPPORT ASSEMBLY	176,65
6	118101	R23-R60 LID SUPPORT	152,80
7	118132	R30 LID REED SWITCH	10,95
8	59131	ARM CLIP ASSEMBLY	13,10
10	57074	R30 FLAT (3) BLADE ASSEMBLY	See Price list
11	57075	R30 COARSE SERRATED (3) BLADE ASSEMBLY	See Price list
12	57077	R30 FINE SERRATED (3) BLADE ASSEMBLY	See Price list
13	118202	R30 SHAFT CAP	78,15
14	118203	PLASTIC WASHER	6,50
15	118201	10mm BLADE SPACER	15,95
16	118200	32mm BLADE SPACER	25,40
17	117950	R30 FLAT BLADE (1)	See Price list
18	118286	R30 COARSE SERRATED BLADE (1)	See Price list
19	118241	R30 (1) FINE SERRATED BLADE	See Price list
20	117930	R30 BLADE SHAFT	107,65
21	59133	R23/R30 MOTOR SEAL SOCKET ASSEMBLY	174,00
22	507168	SHAFT SEAL	13,70
23	118153	BOWL SEAL	8,70
24	501105	R30 SEAL 30X40X7	2,45
25	507050	O RING	3,15
26	118151	UPPER MOTOR COVER	79,85
27	118157	R30 BOWL REED SWITCH	9,75
28	59197	MOTOR SUPPORT ASSEMBLY	333,10
29	118127	SAFETY WIRING	5,40
30	118256	CASING ACCESS DOOR SEAL	22,90
31	117935	CASING ACCESS DOOR	168,15
32	59139	SWITCH PANEL 6 TOUCH PADS	176,50
33	118146	BACK TILTING PIVOT SPACER	22,10
34	59135	BACK TILTING PIVOT ASSEMBLY	116,50
35	119214	TILTING PIVOT STAPLE	13,95
36	118147	BACK THRUST WASHER	18,40
37	117959	TILTING THRUST	19,10
38	507007	MP450/550 MICROSWITCH	2,40
39	117934	CASING	727,50
40	118186	CASING FOOT	21,80
41	502686	POWER CORD	85,60
42	515515	CL60 CABLE GROMMET	3,45
43	118148	BACK BEARING BUSH	2,45
44	118150	SLEEVE BUSH	2,65
45	118149	SLEEVE 107mm	23,00
46	118255	HINGE FLAT SEAL	2,45
47	59127	SAFETY SWITCH ASSEMBLY	18,60
48	118254	SWITCH SUPPORT	4,00
49	501258	SAFETY SWITCH	14,65
58	59132	R30 BOWL	553,15
59	118171	SAFETY PLUG	7,85
60	59165	BOWL THRUST ASSEMBLY	92,00
61	118595	PLASTIC BOWL THRUST	1,30
62	118155	R30 MOTOR DEFLECTOR	22,15
63	59950	PIN ASSEMBLY	9,45
64	118267	KNIFE TOOL	15,05
65	118296	BOTTOM MOTOR COVER	220,45
66	118142	R30 TILT ARM END COVER	5,65
67	59138	R30 TILT ARM	116,50
68	208582	R172 STAR WASHER N/A	6,65



INDEX	REF.	DESIGNATION	Pricelist in : EUR
69	118166	R30 HEX ADJUSTING NUT	14,40
70	117956	PLUG	14,90
71	118144	FRONT BEARING BUSH	2,45
72	118143	FRONT THRUST WASHER	2,45
73	59137	FRONT TILTING PIVOT ASSEMBLY	70,25
74	117936	STAND	295,40
75	117958	STAND FOOT	21,80
76	59206	LID WIPER ASSEMBLY	48,70
77	118227	LID WIPER NUT	3,80
78	118228	LID WIPER GUIDE	3,85
79	118221	LID WIPER	16,75
80	118224	LID SOFT WIPER	5,95

N°	M	Voltage	A	
52032	303065 1 303,85	230-400 / 50 / 3	117990 756,55	
52033	303062 1 000,05	400 / 50 / 3	117987 582,20	
52034	303125 1 024,45	220 / 60 / 3	117989 773,15	

- Déterminer votre type de R30 suivant les formes du joint et du crochet de couvercle.
- Chose your kind of R30 between seal and lid hook shapes.

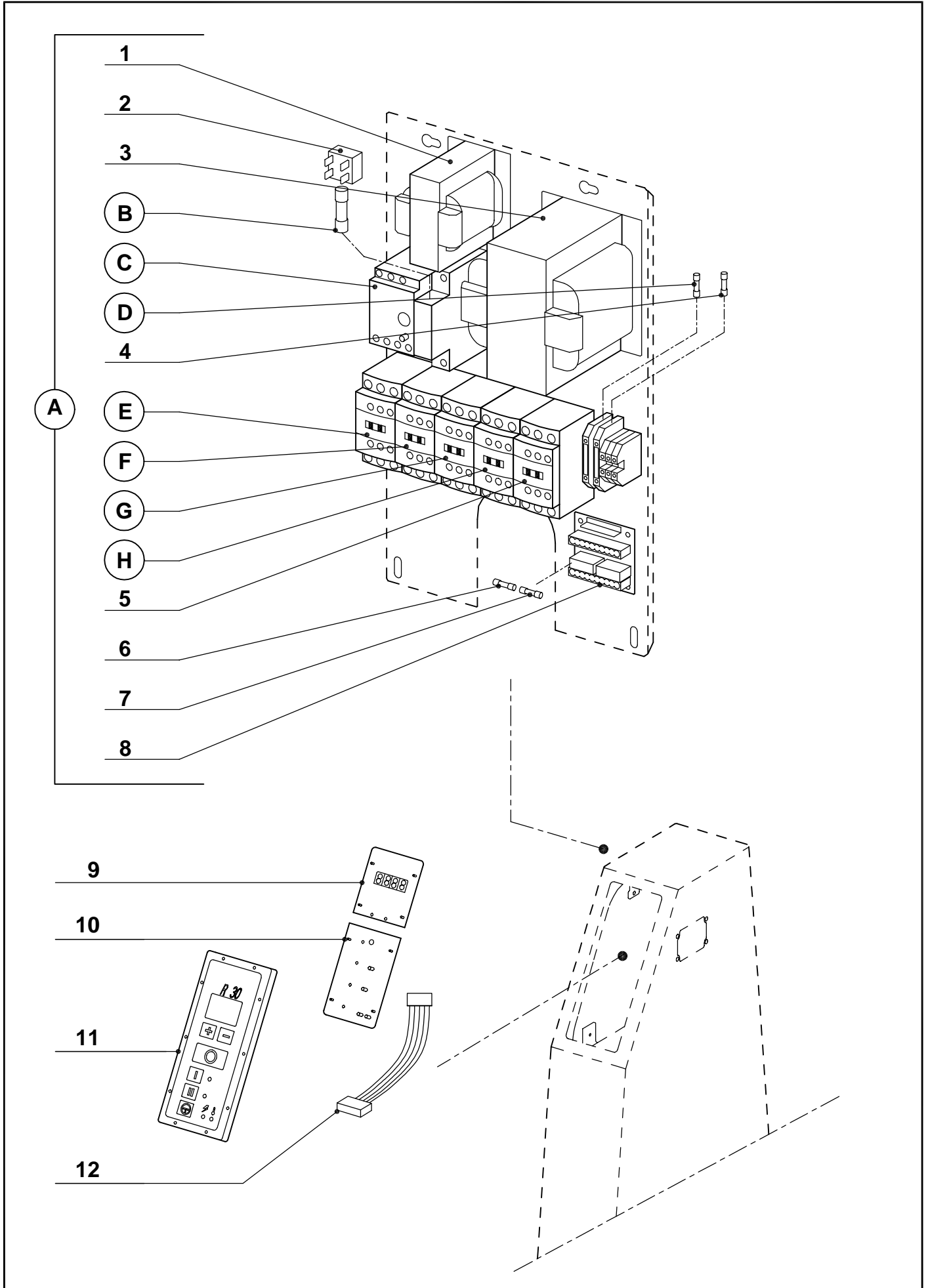
1a	1a	1b
2a	2a	2b
3	3a	3b
4	4a	4b
5a	5b	5b
6	6	6
7	7	7
8a	8a	8b
9a	9b	9b

- (A)** PCB R23/R30 COMMUTABLE
- (B)** BREAK FUSE
- (C)** THERMAL RELAY
- (D)** PRIMARY FUSE 48V
- (E)** HIGHT SPEED CONTACTOR
- (F)** HIGHT SPEED CONTACTOR
- (G)** (DA) Contactor, R30T
- (H)** (DA) Contactor, R30T

INDEX	REF.	DESIGNATION	Pricelist in : EUR
1a	118107	LEFT LID TUBE	50,05
1b	119207	LEFT LID TUBE	52,45
2a	118106	RIGHT LID TUBE	50,05
2b	119206	RIGHT LID TUBE	52,45
3	59250	LID HOOK	Contact us
3a	118172	LID HOOK	47,30
3b	119212	R45 LID LATCH HOOK	49,65
4	59251	LID HANDLE ASSEMBLY	Contact us
4a	59129	LID HANDLE ASSEMBLY	183,45
4b	59196	R45 LID LATCH ASSEMBLY	183,45
5a	59252	COMPLETE LID ASSEMBLY	Contact us
5b	59126	R30 LID ASSEMBLY	179,50
6	118100	R30 LID CENTRE SUPPORT SEAL	9,60
7	118573	R23-R60 LID CAP	27,75
8a	118178	R30 LID PLASTIC ONLY	111,20
8b	119252	PLASTIC LID	118,96
9a	59253	LID SEAL	Contact us
9b	119184	R30 LID SEAL N/S FLAT	58,70

N°	M	Voltage	A	B	C	D	E	F	G	
52032	303065 1 303,85	230-400 / 50 / 3	117990 756,55	503356 3,20	503376 51,55	503108 3,20	503364 44,60	503364 44,60	503362 66,75	
52033	303062 1 000,05	400 / 50 / 3	117987 582,20	503355 3,20	503354 35,65	500537 3,00	503363 27,25	503363 27,25	503363 27,25	
52034	303125 1 024,45	220 / 60 / 3	117989 773,15	503356 3,20	503376 51,55	503108 3,20	503364 44,60	503364 44,60	503364 44,60	

N°	M	Voltage	H	
52032	303065 1 303,85	230-400 / 50 / 3	503362 66,75	
52033	303062 1 000,05	400 / 50 / 3	503363 27,25	
52034	303125 1 024,45	220 / 60 / 3	503364 44,60	



- (A)** POWER CIRCUIT BOARD
- (B)** BREAK FUSE
- (C)** R30 THERMAL RELAY
- (D)** PRIMARY FUSE 48V
- (E)** HIGHT SPEED CONTACTOR
- (F)** HIGHT SPEED CONTACTOR
- (G)** HIGHT SPEED CONTACTOR
- (H)** HIGHT SPEED CONTACTOR

INDEX	REF.	DESIGNATION	Pricelist in : EUR
1	503352	TRANSFORMER 9/24V	41,15
2	511620	TRANSFORMER	29,30
3	503353	R30 TRANSFORMER 48V	95,60
4	500537	PRIMARY FUSE 9/24V	3,00
5	507174	COMMUTATION CONTACTOR	34,85
6	504253	SECONDARY FUSE 9V	3,75
7	503106	SECONDARY FUSE 24V	3,20
8	117980	R30 CONNECTION CARD	50,25
9	117999	TIMER CIRCUIT BOARD	79,20
10	117981	R30 PCB	137,60
11	59139	SWITCH PANEL 6 TOUCH PADS	176,50
12	117982	R30 PCB CONNECTION CABLE	18,50



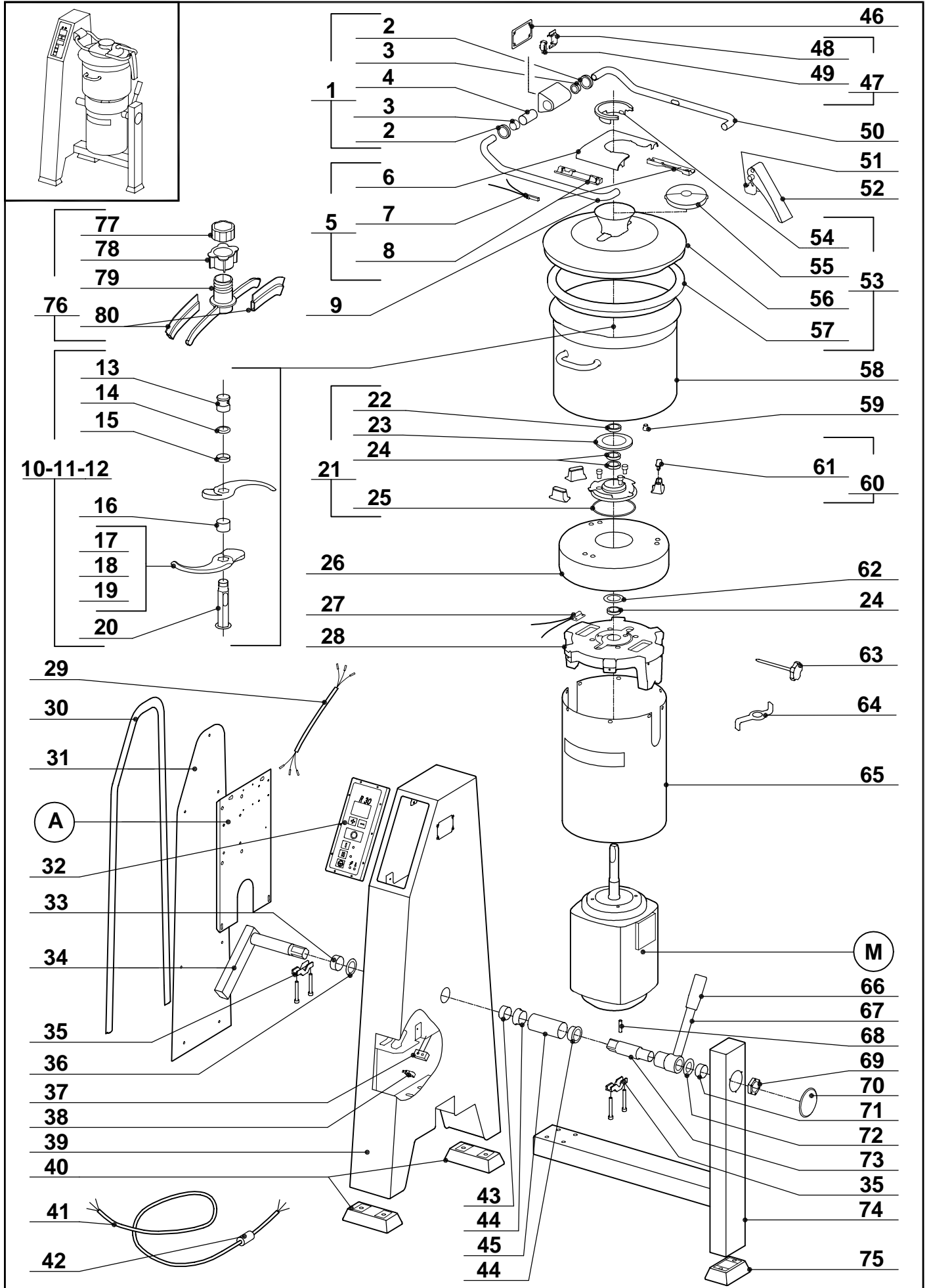
N°	M	Voltage	A	B	C	D	E	F	G	
52032	303065 1 303,85	230-400 / 50 / 3	117990 756,55	503356 3,20	503376 51,55	503108 3,20	503364 44,60	503364 44,60	503362 66,75	
52033	303062 1 000,05	400 / 50 / 3	117987 582,20	503355 3,20	503354 35,65	500537 3,00	503363 27,25	503363 27,25	503363 27,25	
52034	303125 1 024,45	220 / 60 / 3	117989 773,15	503356 3,20	503376 51,55	503108 3,20	503364 44,60	503364 44,60	503364 44,60	

**robot coupe®**

**R30**

**Pricelist in : EUR**

N°	M	Voltage	H	
52032	303065 1 303,85	230-400 / 50 / 3	503362 66,75	
52033	303062 1 000,05	400 / 50 / 3	503363 27,25	
52034	303125 1 024,45	220 / 60 / 3	503364 44,60	



**(A)**

PCB R30 PLUS 220/60

**(M)**

R30 5400W 230/50/3 MOTOR

INDEX	REF.	DESIGNATION	Pricelist in : EUR
1	59128	HINGE ASSEMBLY	146,25
2	501424	SEALING RING 20X30	2,55
3	118126	BUSH	0,75
4	118253	R45 LID SWITCH CAM	3,15
5	59130	LID SUPPORT ASSEMBLY	176,65
6	118101	R23-R60 LID SUPPORT	152,80
7	118132	R30 LID REED SWITCH	10,95
8	59131	ARM CLIP ASSEMBLY	13,10
9	119207	LEFT LID TUBE	52,45
10	57074	R30 FLAT (3) BLADE ASSEMBLY	See Price list
11	57075	R30 COARSE SERRATED (3) BLADE ASSEMBLY	See Price list
12	57077	R30 FINE SERRATED (3) BLADE ASSEMBLY	See Price list
13	118202	R30 SHAFT CAP	78,15
14	118203	PLASTIC WASHER	6,50
15	118201	10mm BLADE SPACER	15,95
16	118200	32mm BLADE SPACER	25,40
17	117950	R30 FLAT BLADE (1)	See Price list
18	118286	R30 COARSE SERRATED BLADE (1)	See Price list
19	118241	R30 (1) FINE SERRATED BLADE	See Price list
20	117930	R30 BLADE SHAFT	107,65
21	59133	R23/R30 MOTOR SEAL SOCKET ASSEMBLY	174,00
22	507168	SHAFT SEAL	13,70
23	118153	BOWL SEAL	8,70
24	501105	R30 SEAL 30X40X7	2,45
25	507050	O RING	3,15
26	118151	UPPER MOTOR COVER	79,85
27	118157	R30 BOWL REED SWITCH	9,75
28	59197	MOTOR SUPPORT ASSEMBLY	333,10
29	118127	SAFETY WIRING	5,40
30	118256	CASING ACCESS DOOR SEAL	22,90
31	117935	CASING ACCESS DOOR	168,15
32	59139	SWITCH PANEL 6 TOUCH PADS	176,50
33	118146	BACK TILTING PIVOT SPACER	22,10
34	59135	BACK TILTING PIVOT ASSEMBLY	116,50
35	119214	TILTING PIVOT STAPLE	13,95
36	118147	BACK THRUST WASHER	18,40
37	117959	TILTING THRUST	19,10
38	507007	MP450/550 MICROSWITCH	2,40
39	117934	CASING	727,50
40	118186	CASING FOOT	21,80
41	502687	POWER CORD	89,90
42	501773	WIRE DUCT	4,40
43	118148	BACK BEARING BUSH	2,45
44	118150	SLEEVE BUSH	2,65
45	118149	SLEEVE 107mm	23,00
46	118255	HINGE FLAT SEAL	2,45
47	59127	SAFETY SWITCH ASSEMBLY	18,60
48	118254	SWITCH SUPPORT	4,00
49	501258	SAFETY SWITCH	14,65
50	119206	RIGHT LID TUBE	52,45
51	119212	R45 LID LATCH HOOK	49,65
52	59196	R45 LID LATCH ASSEMBLY	183,45
53	59126	R30 LID ASSEMBLY	179,50
54	118100	R30 LID CENTRE SUPPORT SEAL	9,60
55	118573	R23-R60 LID CAP	27,75
56	118178	R30 LID PLASTIC ONLY	111,20
57	119184	R30 LID SEAL N/S FLAT	58,70
58	59132	R30 BOWL	553,15
59	118171	SAFETY PLUG	7,85

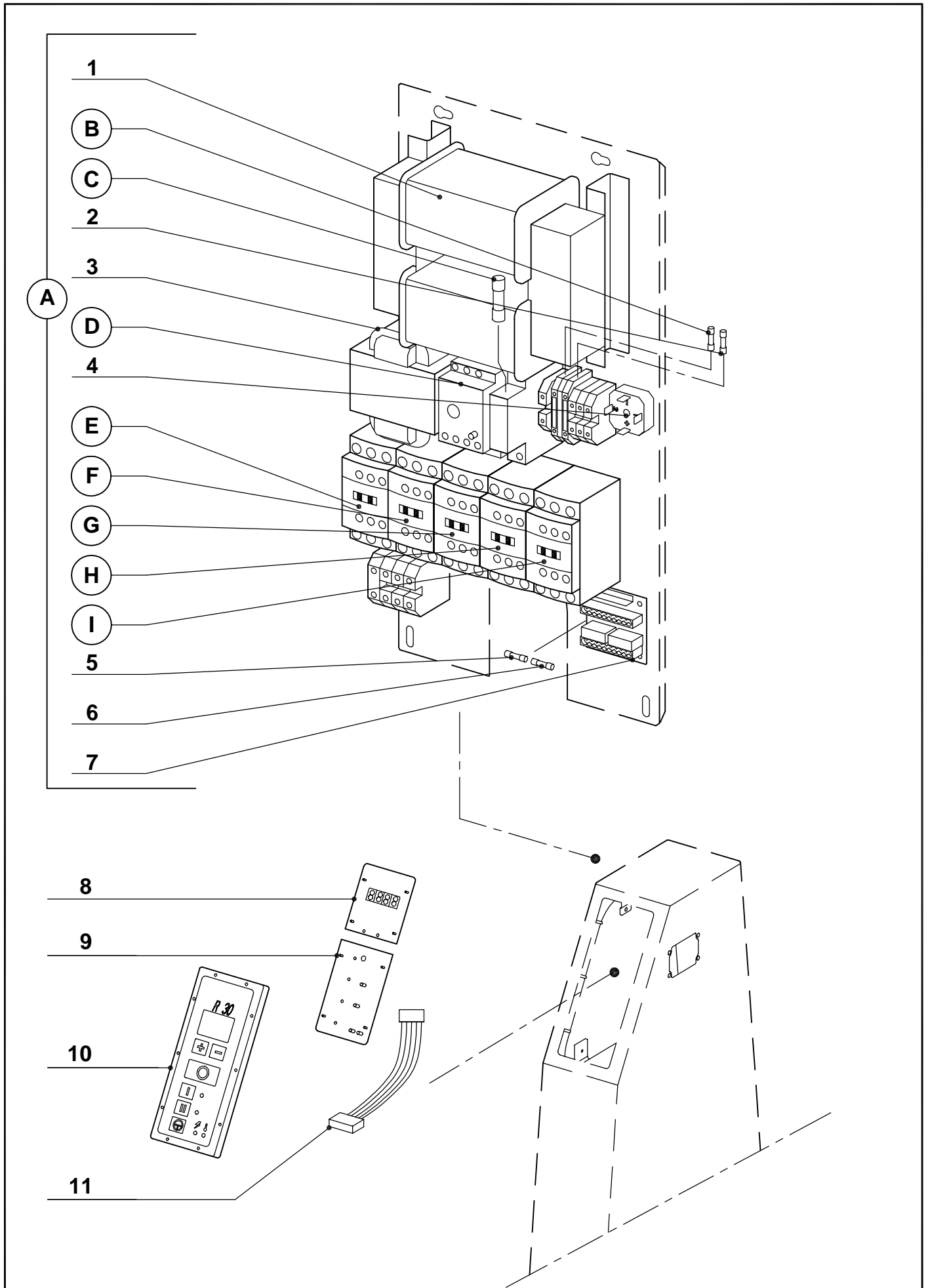
INDEX	REF.	DESIGNATION	Pricelist in : EUR
60	59165	BOWL THRUST ASSEMBLY	92,00
61	118595	PLASTIC BOWL THRUST	1,30
62	118155	R30 MOTOR DEFLECTOR	22,15
63	59950	PIN ASSEMBLY	9,45
64	118267	KNIFE TOOL	15,05
65	118296	BOTTOM MOTOR COVER	220,45
66	118142	R30 TILT ARM END COVER	5,65
67	59138	R30 TILT ARM	116,50
68	208582	R172 STAR WASHER N/A	6,65
69	118166	R30 HEX ADJUSTING NUT	14,40
70	117956	PLUG	14,90
71	118144	FRONT BEARING BUSH	2,45
72	118143	FRONT THRUST WASHER	2,45
73	59137	FRONT TILTING PIVOT ASSEMBLY	70,25
74	117936	STAND	295,40
75	117958	STAND FOOT	21,80
76	59206	LID WIPER ASSEMBLY	48,70
77	118227	LID WIPER NUT	3,80
78	118228	LID WIPER GUIDE	3,85
79	118221	LID WIPER	16,75
80	118224	LID SOFT WIPER	5,95

**robot coupe®**

**R30 - 5400 W**

**Pricelist in : EUR**

N°	M	Voltage	A	
52066	303134 1 293,90	400 / 50 / 3	119178 735,75	
52067	303121 1 393,00	220 / 60 / 3	119179 794,60	
52068	303136 1 496,00	380 / 60 / 3	119178 735,75	
52069	303138 1 293,90	230 / 50 / 3	119179 794,60	



- (A)** PCB R30 PLUS 220/60
- (B)** PRIMARY FUSE 8A
- (C)** BREAK FUSE
- (D)** THERMAL RELAY
- (E)** (DA) Contactor, R30T
- (F)** (DA) Contactor, R30T
- (G)** (DA) Contactor, R30T
- (H)** (DA) Contactor, R30T
- (I)** (DA) Contactor, R30T

INDEX	REF.	DESIGNATION	Pricelist in : EUR
1	503971	TRANSFORMER 48V	155,45
2	500537	PRIMARY FUSE 9/24V	3,00
3	503970	TRANSFORMER 9/24V	51,55
4	511620	TRANSFORMER	29,30
5	504253	SECONDARY FUSE 9V	3,75
6	507121	SECONDARY FUSE 24 V	3,20
7	117980	R30 CONNECTION CARD	50,25
8	117999	TIMER CIRCUIT BOARD	79,20
9	117981	R30 PCB	137,60
10	59139	SWITCH PANEL 6 TOUCH PADS	176,50
11	117982	R30 PCB CONNECTION CABLE	18,50



robot coupe®

R30 - 5400 W

Pricelist in : EUR

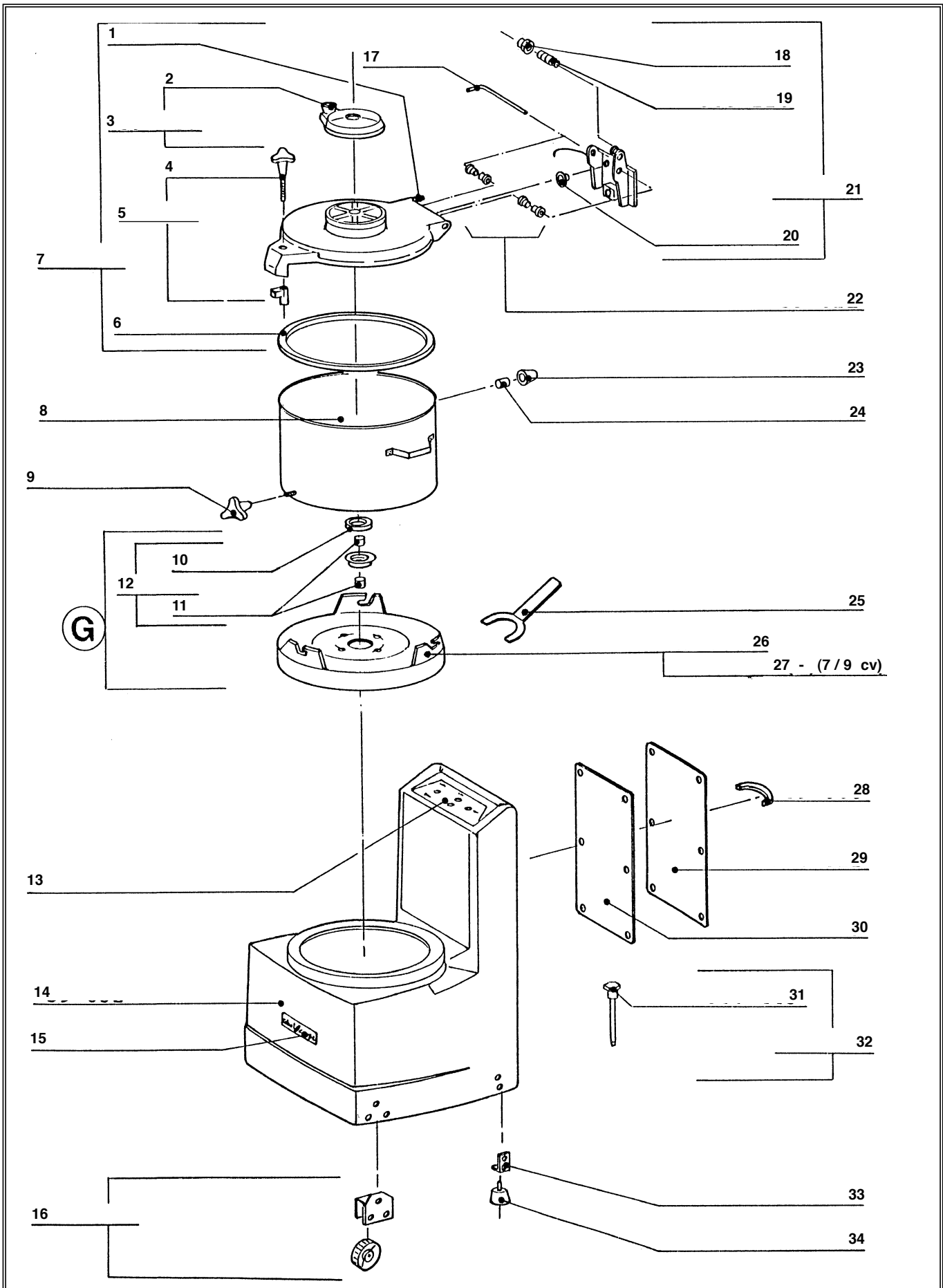
N°	M	Voltage	A	B	C	D	E	F	G	
52066	303134 1 293,90	400 / 50 / 3	119178 735,75	503106 3,20	503356 3,20	503960 51,10	503363 27,25	503363 27,25	503364 44,60	
52067	303121 1 393,00	220 / 60 / 3	119179 794,60	504257 3,40	502495 3,70	503376 51,55	503362 66,75	503362 66,75	503362 66,75	
52068	303136 1 496,00	380 / 60 / 3	119178 735,75	503106 3,20	503356 3,20	503960 51,10	503363 27,25	503363 27,25	503364 44,60	
52069	303138 1 293,90	230 / 50 / 3	119179 794,60	504257 3,40	502495 3,70	503376 51,55	503362 66,75	503362 66,75	503362 66,75	

**robot coupe®**

**R30 - 5400 W**

**Pricelist in : EUR**

N°	M	Voltage	H	I	
52066	303134 1 293,90	400 / 50 / 3	503364 44,60	507174 34,85	
52067	303121 1 393,00	220 / 60 / 3	503362 66,75	503362 66,75	
52068	303136 1 496,00	380 / 60 / 3	503364 44,60	507174 34,85	
52069	303138 1 293,90	230 / 50 / 3	503362 66,75	503362 66,75	

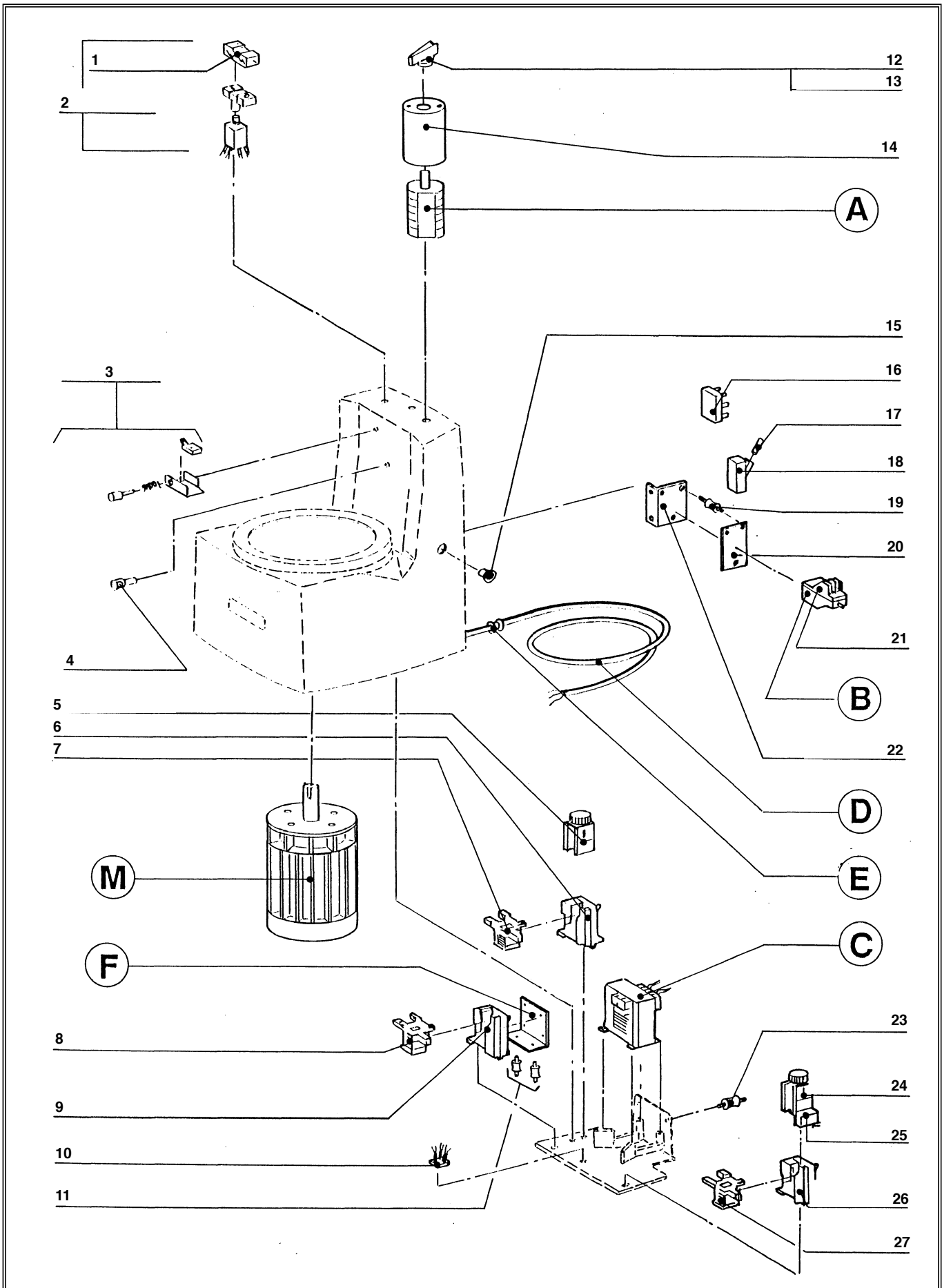




## SPACER ASS

INDEX	REF.	DESIGNATION	Pricelist in : EUR
1	59961	R60B LID SWITCH ACTUATOR	6,35
2	500280	PLASTIC CAP KNOB	2,65
3	59026	R25B LID COVER	25,10
4	100913	CLAMP KNOB	43,15
5	59631	R25B LID LOCK KNOB ASSEMBLY	94,75
6	100965	R60B LID SEAL-12MM SQUARE	41,05
7	59896	R25B LID ASSEMBLY	301,65
8	69740	BOWL ASS	866,20
9	100914	R25B BOWL LOCK KNOB-METAL	41,05
10	504449	R25B BOWL SEAL	2,45
11	501710	R800 MOTOR SEAL 30x40x8	3,15
12	59104	SEALING SOCKET ASS	86,60
13	400300	CONTROL PANEL PLATE	29,20
14	59032	BASE ASS	755,90
15	400745	FRONT PLATE	7,71
16	59455	R25B WHEEL & BRACKET	55,45
17	59037	R25B HINGE PIN	17,15
18	206448	BALL DRIVER NUT	10,60
19	505220	BALL DRIVER	20,55
20	127710	R25B S.10 SWITCH SEAL	8,25
21	59730	R25B S.10 HINGE BRACKET	70,05
22	59021	SHOULDERED RING ASS	6,25
23	127700	R25 S.10 BOWL MAGNET BLOCK	11,55
24	501000	R8 MAGNET	0,65
25	101822	R25BA SOCKET KEY	38,05
26	101729	SPACER	433,00
27	101730	SPACER	433,00
28	59500	HANDLE ASS	16,65
29	126522	ACCESS FLAP DOOR	116,75
30	126599	ACCESS FLAP DOOR SEAL	29,55
31	500445	C120 PADDLE ASS LOCK KNOB	4,50
32	69003	PIN ASS	10,00
33	59807	R25 S5 MOTOR SUPPORT	8,70
34	116798	R60B FOOT	9,25

N°	M	Voltage	G	
53240	302031 2 069,05	220/380 / 50 / 3	69071 444,90	
53251	302029 1 981,25	380 / 50 / 3	69071 444,90	
53262	302032 1 981,25	220 / 60 / 3	69071 444,90	
53284	302021 1 030,10	220/380 / 50 / 3	59885 444,90	
53295	302028 997,60	380 / 50 / 3	59885 444,90	

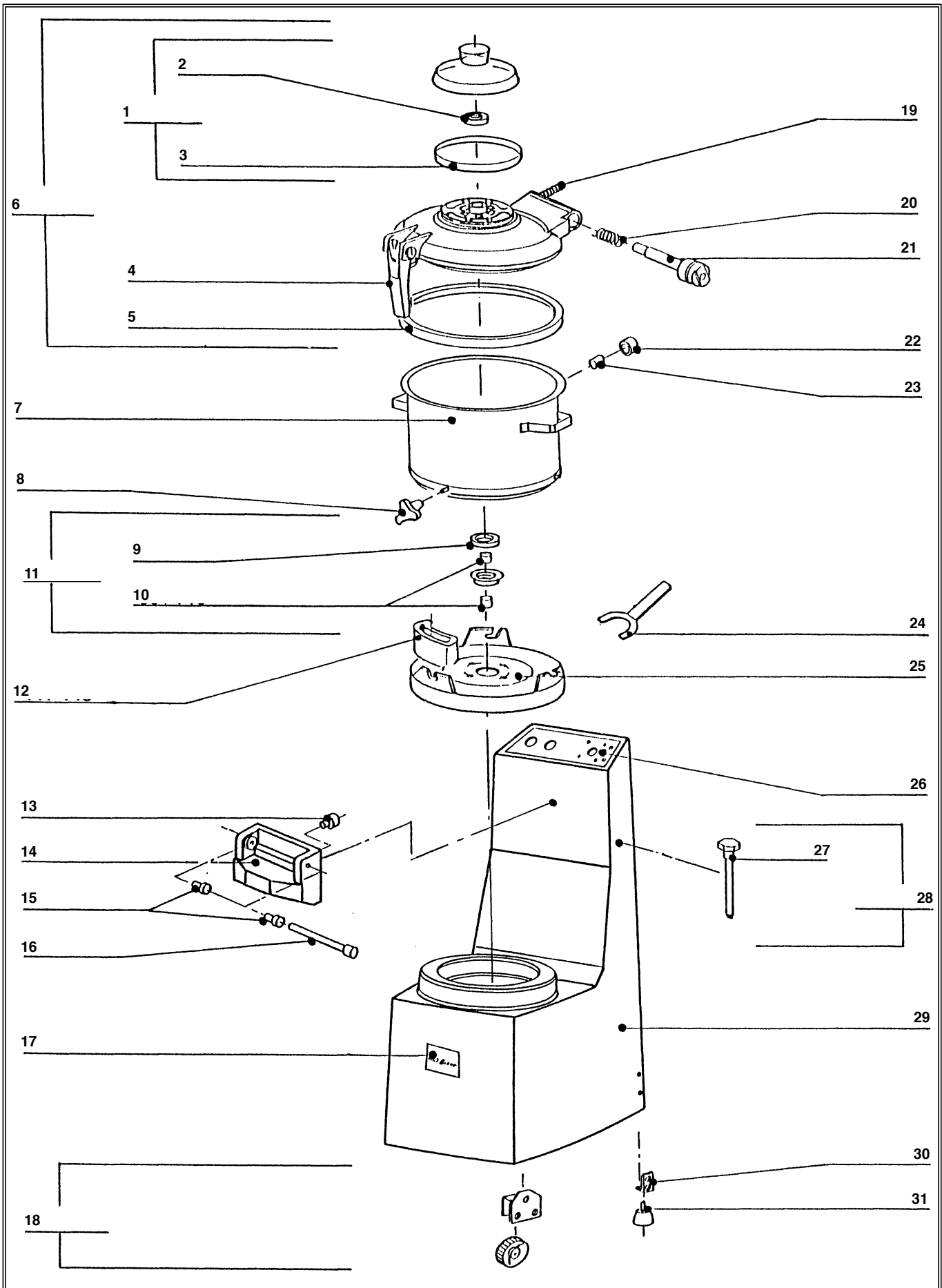


- (A)** R25B S.10 ROTARY SWITCH
- (B)** R25B OVERLOAD RELAY 13-18A
- (C)** TRANSFORMER
- (D)** POWER CORD
- (E)** WIRE DUCT
- (F)** CONTACTOR SUPPORT
- (M)** MOTOR

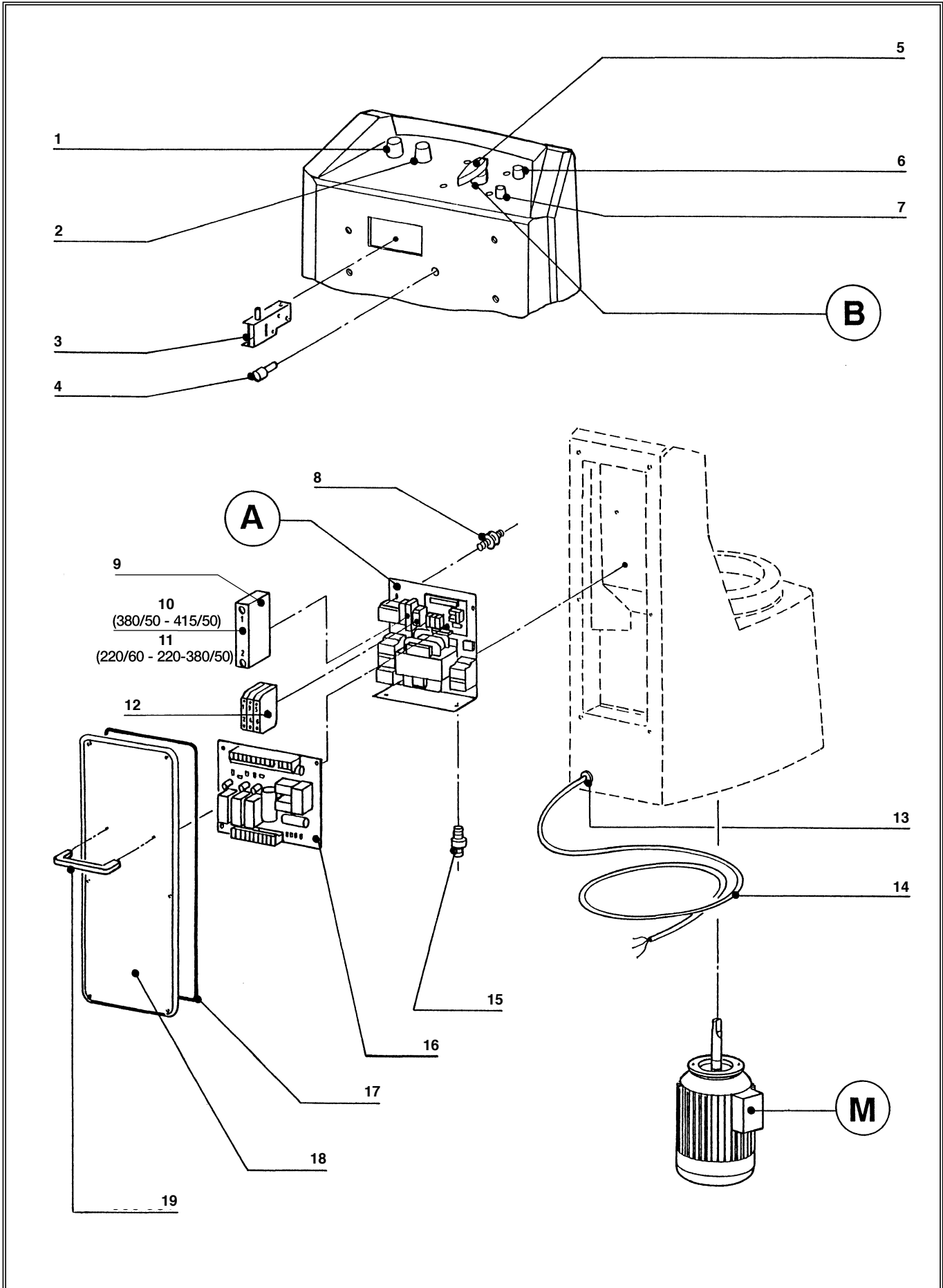
INDEX	REF.	DESIGNATION	Pricelist in : EUR
1	511600	WATER-TIGHT CAP	9,55
2	69718	CONTACT SWITCH	80,25
3	59010	R25B S.10 LID SWITCH ASSEMBLY	61,60
4	69817	R40B REED SWITCH ASSEMBLY	37,00
5	508860	R60BA TIMER DIAL	111,80
6	509223	R60BA CONTACTOR 48V CA2 DN22E7	62,40
7	509784	COIL D 09 48 V	64,15
8	515405	COIL D 16 48 V	85,50
9	515372	CONTACTOR 25 A	128,15
10	511621	R25B RECTIFIER	28,65
11	510554	ABSORBER	10,90
12	502810	R800 SWITCH HANDLE-STAR	13,55
13	130174	R800 SWITCH HANDLE-HEX	12,95
14	120923	R25B ROTARY SWITCH COWL	30,90
15	108339	R25B OVERLOAD RELAY SEAL	3,90
16	504823	SWITCH GEAR	41,00
17	511643	FUSE	2,95
18	511632	FUSE SUPPORT	12,75
19	59213	R25B S.10 SHOCK ABSORBER	2,80
20	127655	ABSORBER ASS	7,10
21	511544	RELAY SUPPORT	24,10
22	107074	DISCONNECTOR SUPPORT	13,05
23	514778	R10 SHOCK ABSORBER	9,30
24	508860	R60BA TIMER DIAL	111,80
25	511533	ADDITIONAL CONTACT	20,15
26	511555	R25B CONTACTOR LC1 D253E 48V	123,15
27	515405	COIL D 16 48 V	85,50

N°	M	Voltage	A	B	C	D	E	F	
53240	302031 2 069,05	220/380 / 50 / 3	511676 384,30	503954 96,85	59068 260,48	503712 56,45	118833 7,90	100007 10,60	
53251	302029 1 981,25	380 / 50 / 3	59064 252,75	503965 91,20	59067 256,30	503712 56,45	118833 7,90	100007 10,60	
53262	302032 1 981,25	220 / 60 / 3	59064 252,75	503954 96,85	59068 260,48	503712 56,45	118833 7,90	100007 10,60	
53284	302021 1 030,10	220/380 / 50 / 3	511676 384,30	503954 96,85	511940 256,30	500566 47,30	118822 6,50	141504 10,85	
53295	302028 997,60	380 / 50 / 3	59064 252,75	503965 91,20	59066 256,30	500566 47,30	118822 6,50	141504 10,85	





INDEX	REF.	DESIGNATION	Pricelist in : EUR
1	29108	R10 LID COVER	41,05
2	502639	R10 LID CENTRE SEAL	1,85
3	500907	R10 LID COVER SEAL	7,55
4	59099	R25BA LID LATCH ASSEMBLY	97,70
5	101733	R25A LID SEAL 20MM	41,05
6	59105	R25BA LID ASSEMBLY	301,65
7	59108	R40BA BOWL	866,20
8	100914	R25B BOWL LOCK KNOB-METAL	41,05
9	504449	R25B BOWL SEAL	2,45
10	501710	R800 MOTOR SEAL 30x40x8	3,15
11	59104	SEALING SOCKET ASS	86,60
12	117146	BLADE DISMONTING HOLDER	13,70
13	102044	R25/R40 SAFETY FINGER	10,40
14	59101	HINGE ASS	70,05
15	105875	R25B HINGE BUSH	2,00
16	59098	HINGE PIN ASS	31,70
17	400745	FRONT PLATE	7,71
18	59455	R25B WHEEL & BRACKET	55,45
19	101316	R10/R20 S5 SAFETY FINGER	2,75
20	101659	R25BA LID SPRING	51,05
21	101657	LID SHAFT	102,05
22	101990	R25A/R40A MAGNET CAP	10,15
23	501000	R8 MAGNET	0,65
24	101822	R25BA SOCKET KEY	38,05
25	101730	SPACER	433,00
26	401138	CONTROL PANNEL PLATE	29,20
27	500445	C120 PADDLE ASS LOCK KNOB	4,50
28	69003	PIN ASS	10,00
29	59107	BASE ASS	755,90
30	59807	R25 S5 MOTOR SUPPORT	8,70
31	116798	R60B FOOT	9,25



- (A)** ELCTRIC CIRCUIT BOARD
- (B)** R25/40 S10 ROTARY SWITCH
- (M)** MOTOR

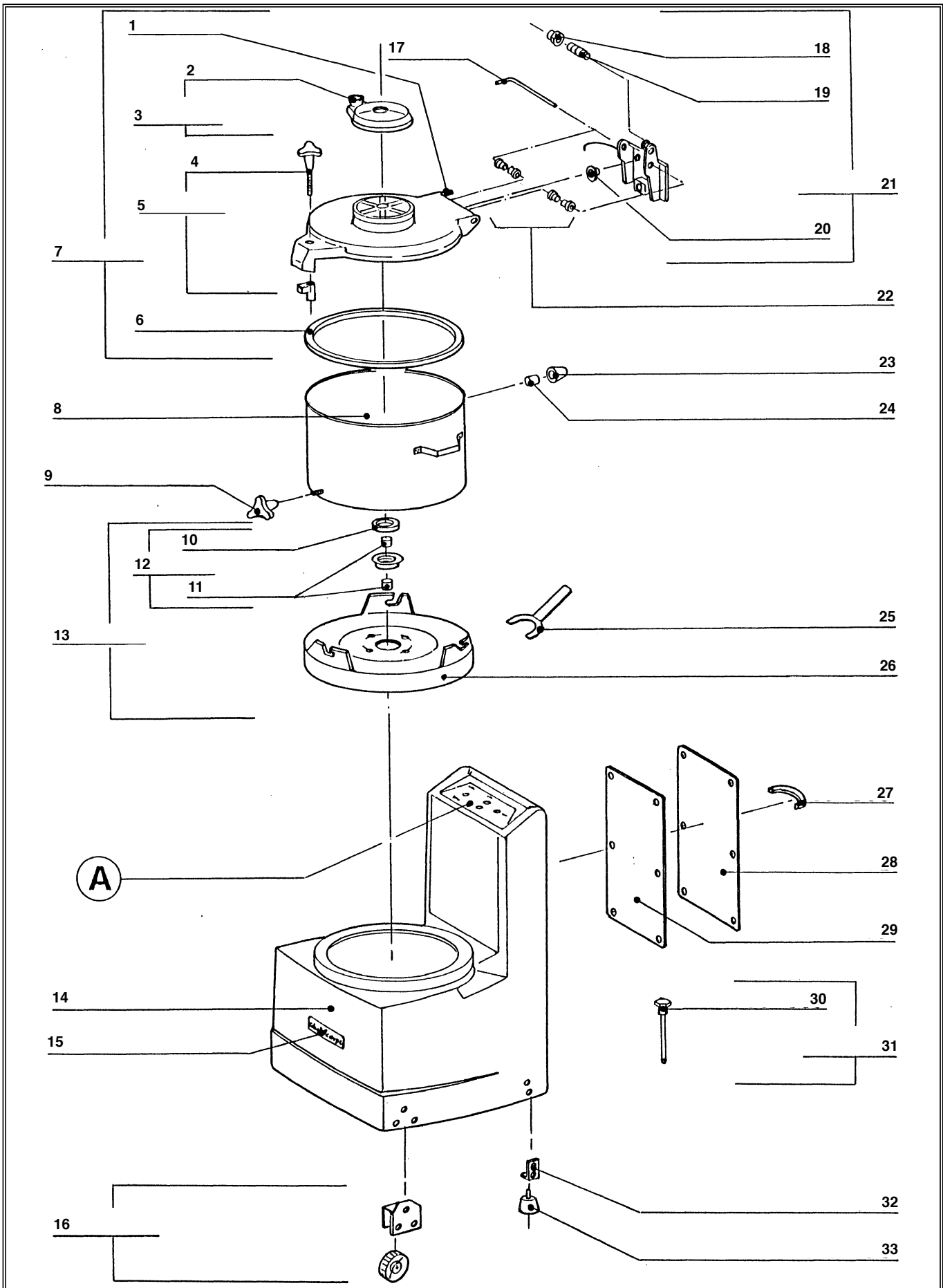
INDEX	REF.	DESIGNATION	Pricelist in : EUR
1	500321	RED KNOB	32,90
2	500322	GREEN KNOB	32,90
3	29262	R10a SAFTEY SWITCH ASSEMBLY	62,65
4	29318	R25BA REED SWITCH ASSEMBLY	37,00
5	502810	R800 SWITCH HANDLE-STAR	13,55
6	500520	R10 CLEAR INDICATOR	6,75
7	500518	R10 GREEN INDICATOR	6,75
8	502876	ABSORBER	7,60
9	503115	8X31 FUSE THERMINAL	10,85
10	503112	8X31 20A GL FUSE	4,30
11	503113	8X31 10A AM FUSE	4,70
12	29165	FUSE ASS	24,25
13	501773	WIRE DUCT	4,40
14	501687	L240+240 5/10 red wire	Contact us
15	514778	R10 SHOCK ABSORBER	9,30
16	29070	R10 PCB	127,05
17	101757	ACCESS FLAP DOOR SEAL	25,20
18	101661	ACCESS FLAP DOOR	119,45
19	500561	CL60 HANDLE	33,75

**robot coupe®**

**R40 "A"**

**Pricelist in : EUR**

N°	M	Voltage	A	B	
53310	302029 1 981,25	380 / 50 / 3	59094 915,90	511698 245,35	
53311	302031 2 069,05	220/380 / 50 / 3	59096 915,90	500975 329,25	
53312	302032 1 981,25	220 / 60 / 3	59096 915,90	511698 245,35	



(A)

R40 FRONT PLATE

INDEX	REF.	DESIGNATION	Pricelist in : EUR
1	59961	R60B LID SWITCH ACTUATOR	6,35
2	500280	PLASTIC CAP KNOB	2,65
3	59026	R25B LID COVER	25,10
4	100913	CLAMP KNOB	43,15
5	59631	R25B LID LOCK KNOB ASSEMBLY	94,75
6	100965	R60B LID SEAL-12MM SQUARE	41,05
7	59896	R25B LID ASSEMBLY	301,65
8	69740	BOWL ASS	866,20
9	100914	R25B BOWL LOCK KNOB-METAL	41,05
10	504449	R25B BOWL SEAL	2,45
11	501710	R800 MOTOR SEAL 30x40x8	3,15
12	59104	SEALING SOCKET ASS	86,60
13	69071	SPACER ASS	444,90
14	59031	BASE ASS	755,90
15	400745	FRONT PLATE	7,71
16	59455	R25B WHEEL & BRACKET	55,45
17	59037	R25B HINGE PIN	17,15
18	206448	BALL DRIVER NUT	10,60
19	505220	BALL DRIVER	20,55
20	127710	R25B S.10 SWITCH SEAL	8,25
21	59730	R25B S.10 HINGE BRACKET	70,05
22	59021	SHOULDERED RING ASS	6,25
23	127700	R25 S.10 BOWL MAGNET BLOCK	11,55
24	501000	R8 MAGNET	0,65
25	101822	R25BA SOCKET KEY	38,05
26	101730	SPACER	433,00
27	59500	HANDLE ASS	16,65
28	126522	ACCESS FLAP DOOR	116,75
29	126599	ACCESS FLAP DOOR SEAL	29,55
30	500445	C120 PADDLE ASS LOCK KNOB	4,50
31	69003	PIN ASS	10,00
32	59807	R25 S5 MOTOR SUPPORT	8,70
33	116798	R60B FOOT	9,25

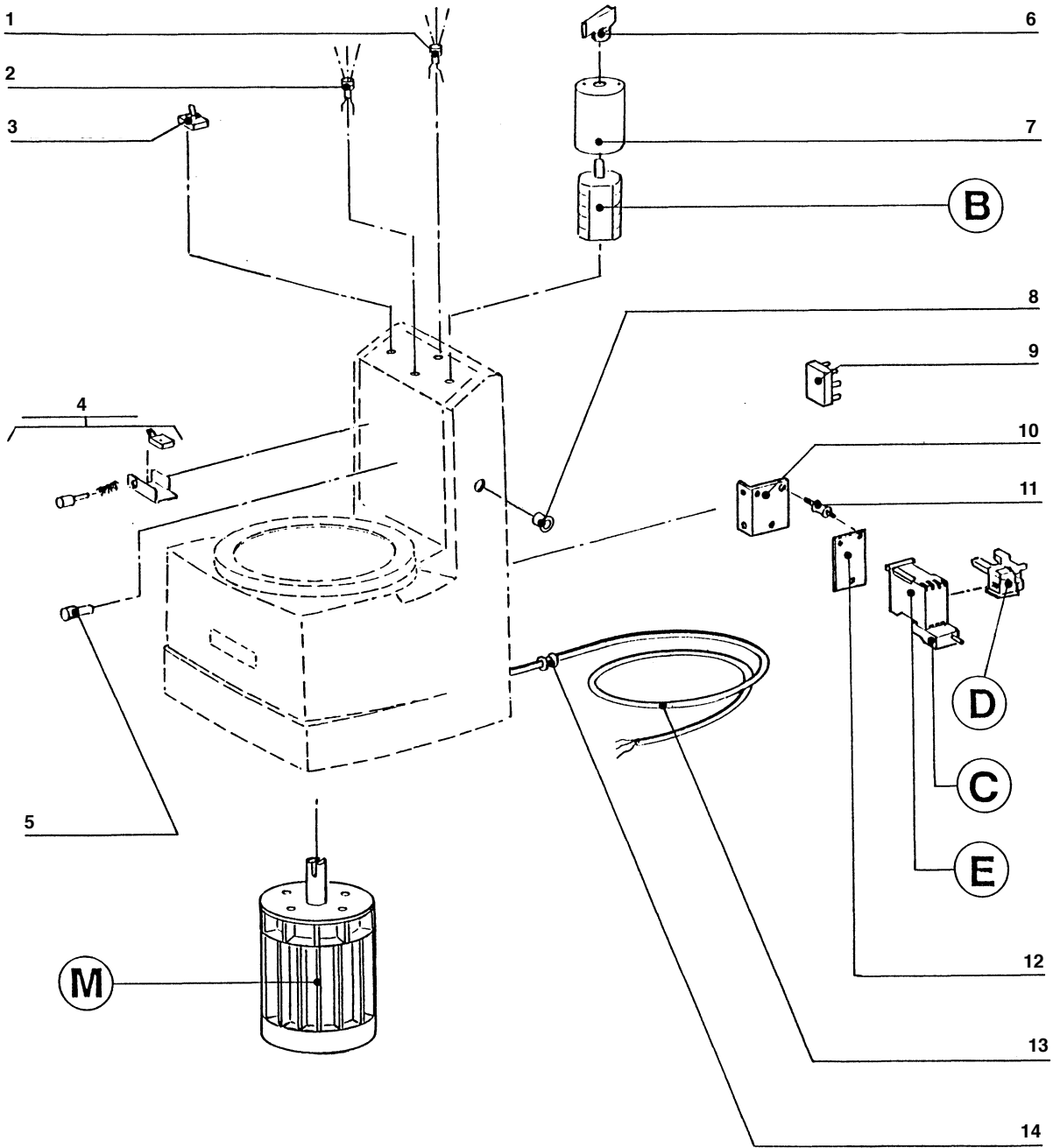
**robot coupe®**

**R40 Série 5**

**Pricelist in : EUR**

N°	M	Voltage	A	
53361	302029 1 981,25	380 / 50 / 3	400302 29,20	
53383	302032 1 981,25	220 / 60 / 3	400302 29,20	
53394	302021 1 030,10	220/380 / 50 / 3	400297 29,20	

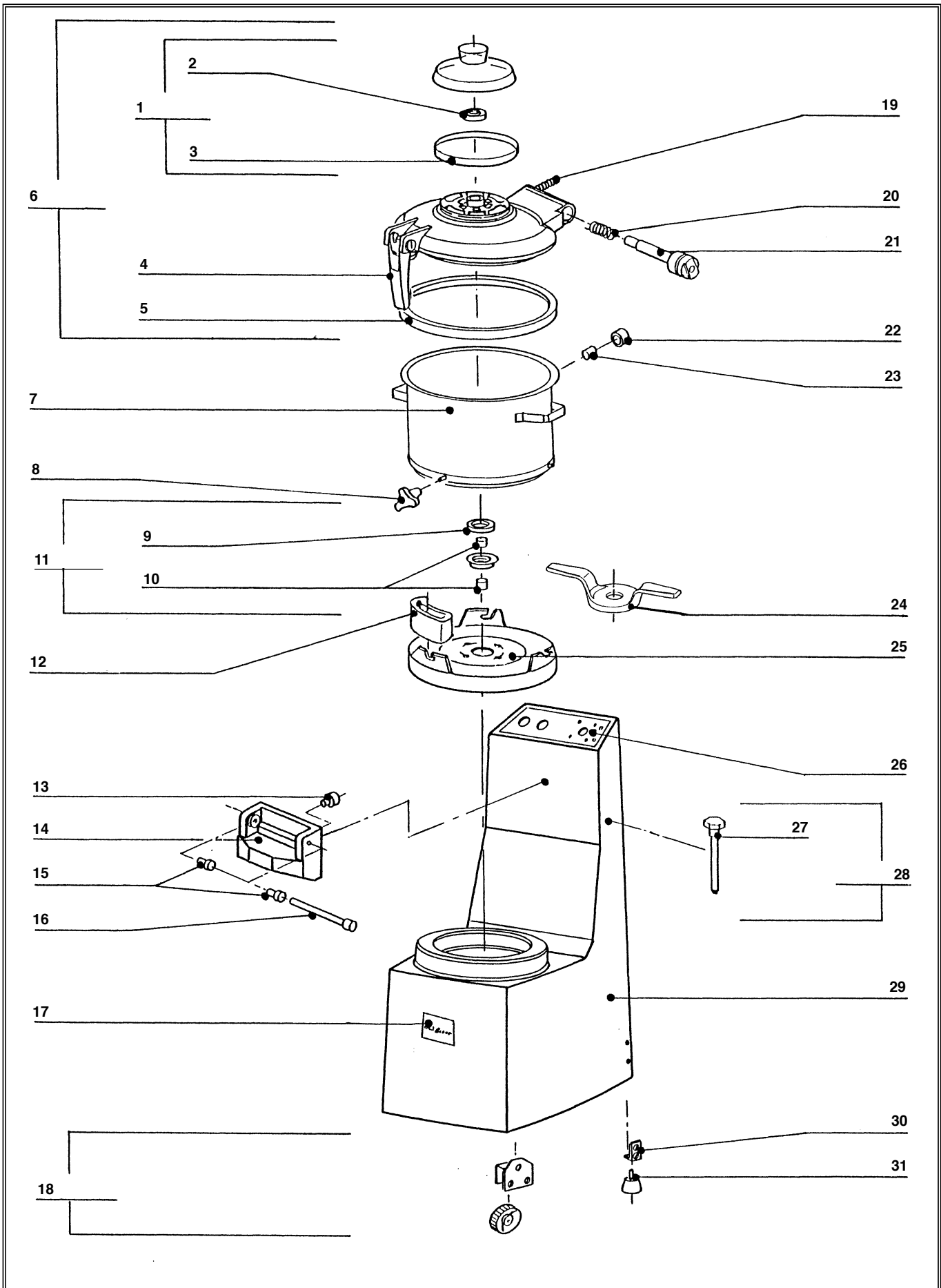




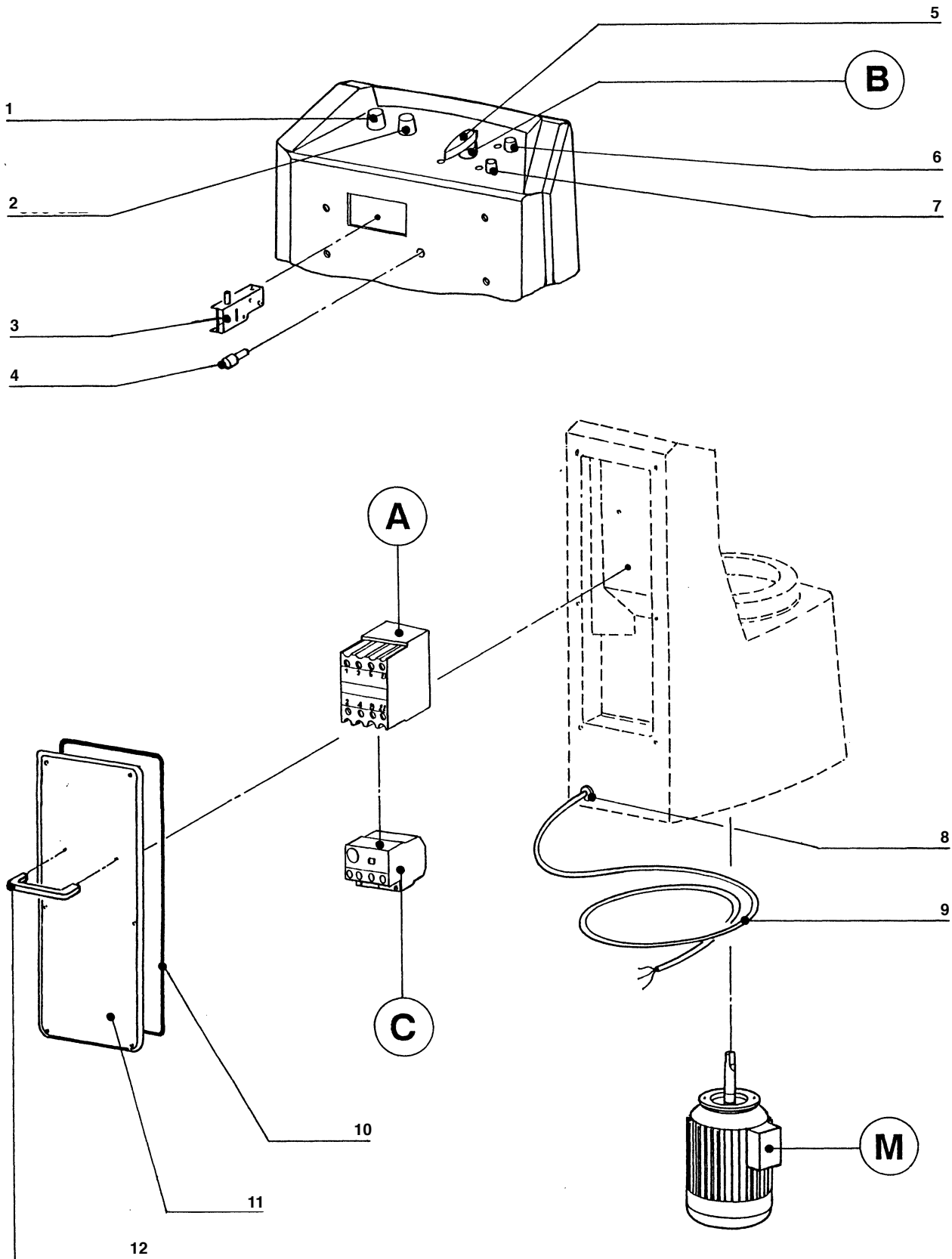
- (B)** COMMUTATOR
- (C)** R25B OVERLOAD RELAY 13-18A
- (D)** COIL
- (E)** CONTACTOR
- (M)** MOTOR

INDEX	REF.	DESIGNATION	Pricelist in : EUR
1	502898	R25B INDICATOR-ORANGE	7,70
2	502788	GREEN LAMP	9,05
3	29106	R25B ON/OFF SWITCH-TOGGLE	12,85
4	59010	R25B S.10 LID SWITCH ASSEMBLY	61,60
5	69817	R40B REED SWITCH ASSEMBLY	37,00
6	502810	R800 SWITCH HANDLE-STAR	13,55
7	120923	R25B ROTARY SWITCH COWL	30,90
8	108339	R25B OVERLOAD RELAY SEAL	3,90
9	504823	SWITCH GEAR	41,00
10	107074	DISCONNECTOR SUPPORT	13,05
11	59213	R25B S.10 SHOCK ABSORBER	2,80
12	112750	ABSORBER SUPPORT	8,25
13	503712	POWER CORD	56,45
14	118833	WIRE DUCT	7,90

N°	M	Voltage	B	C	D	E	
53361	302029 1 981,25	380 / 50 / 3	59062 140,45	503965 91,20	507640 111,05	507639 127,50	
53383	302032 1 981,25	220 / 60 / 3	59062 140,45	503954 96,85	504097 40,65	503899 123,15	
53394	302021 1 030,10	220/380 / 50 / 3	59063 249,05	503954 96,85	507640 111,05	507639 127,50	



INDEX	REF.	DESIGNATION	Pricelist in : EUR
1	29108	R10 LID COVER	41,05
2	502639	R10 LID CENTRE SEAL	1,85
3	500907	R10 LID COVER SEAL	7,55
4	59099	R25BA LID LATCH ASSEMBLY	97,70
5	101733	R25A LID SEAL 20MM	41,05
6	59105	R25BA LID ASSEMBLY	301,65
7	59108	R40BA BOWL	866,20
8	100914	R25B BOWL LOCK KNOB-METAL	41,05
9	504449	R25B BOWL SEAL	2,45
10	501710	R800 MOTOR SEAL 30x40x8	3,15
11	59104	SEALING SOCKET ASS	86,60
12	117146	BLADE DISMONTING HOLDER	13,70
13	102044	R25/R40 SAFETY FINGER	10,40
14	59101	HINGE ASS	70,05
15	105875	R25B HINGE BUSH	2,00
16	59098	HINGE PIN ASS	31,70
17	400745	FRONT PLATE	7,71
18	59455	R25B WHEEL & BRACKET	55,45
19	101316	R10/R20 S5 SAFETY FINGER	2,75
20	101659	R25BA LID SPRING	51,05
21	101657	LID SHAFT	102,05
22	101990	R25A/R40A MAGNET CAP	10,15
23	501000	R8 MAGNET	0,65
24	101822	R25BA SOCKET KEY	38,05
25	101730	SPACER	433,00
26	401138	CONTROL PANNEL PLATE	29,20
27	500445	C120 PADDLE ASS LOCK KNOB	4,50
28	69003	PIN ASS	10,00
29	59110	BASE ASS	679,10
30	59807	R25 S5 MOTOR SUPPORT	8,70
31	116798	R60B FOOT	9,25



robot coupe®

R40 "A" Série 5

- (A) CONTACTOR
- (B) R25/40 S10 ROTARY SWITCH
- (C) R25B OVERLOAD RELAY 13-18A
- (M) MOTOR

INDEX	REF.	DESIGNATION	Pricelist in : EUR
1	500321	RED KNOB	32,90
2	500322	GREEN KNOB	32,90
3	29270	R10 (D) SAFETY SWITCH ASS	62,65
4	29318	R25BA REED SWITCH ASSEMBLY	37,00
5	502810	R800 SWITCH HANDLE-STAR	13,55
6	505252	CRISTAL LAMP	7,70
7	502788	GREEN LAMP	9,05
8	501773	WIRE DUCT	4,40
9	502687	POWER CORD	89,90
10	101757	ACCESS FLAP DOOR SEAL	25,20
11	101661	ACCESS FLAP DOOR	119,45
12	500561	CL60 HANDLE	33,75

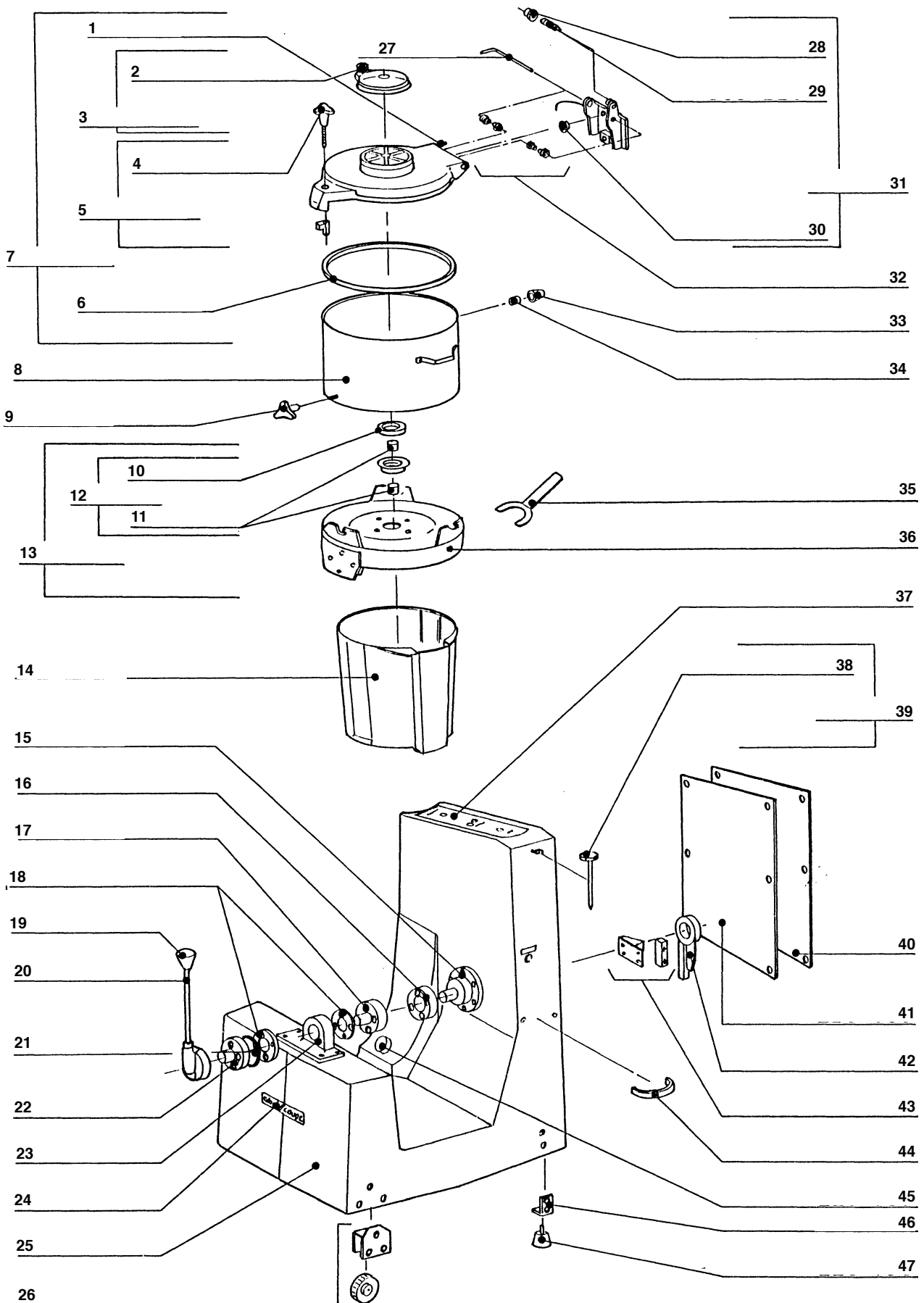


## R40 "A" Série 5

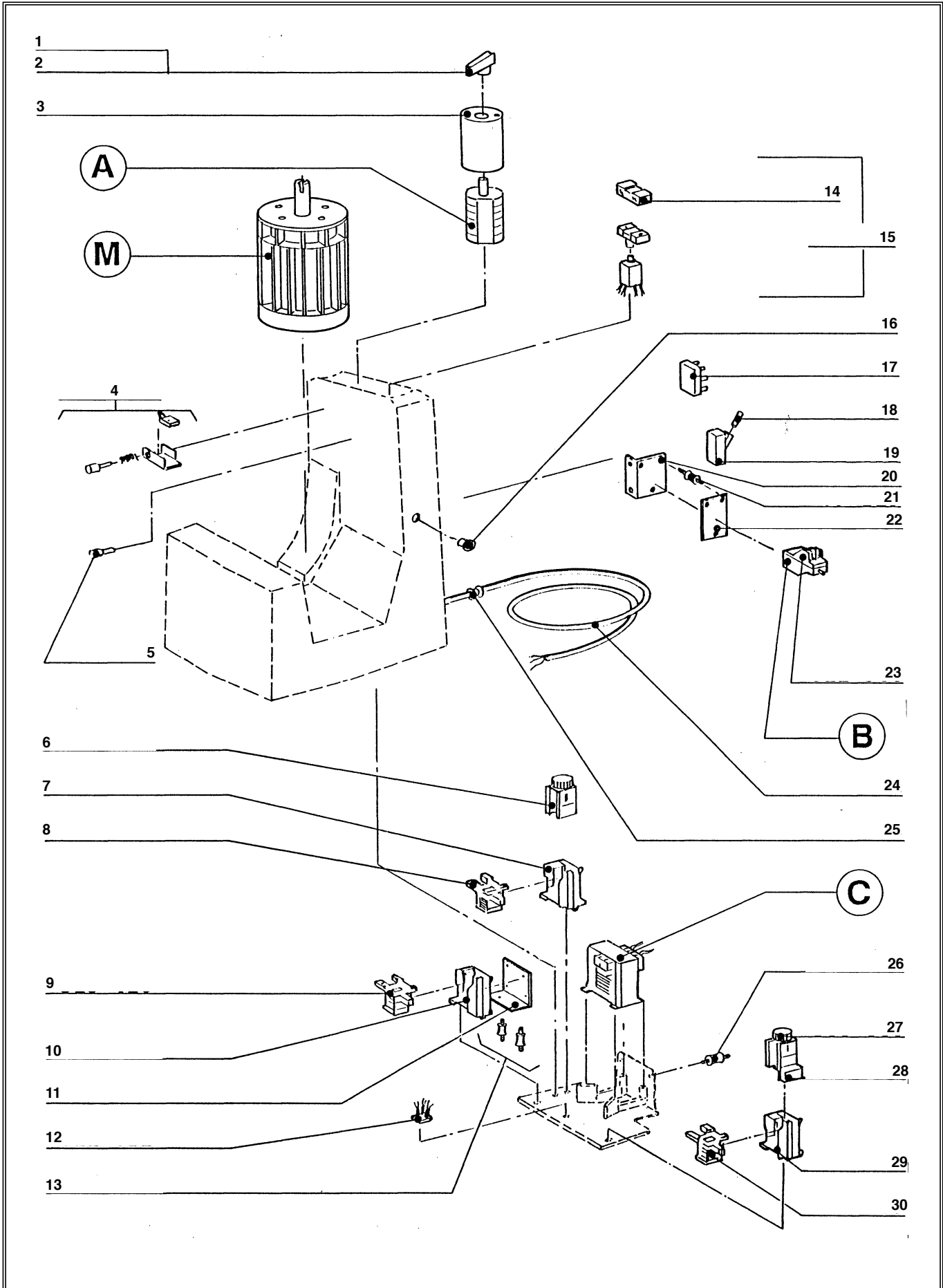
Pricelist in : EUR

N°	M	Voltage	A	B	C	
53306	302029 1 981,25	380 / 50 / 3	507639 127,50	511698 245,35	503965 91,20	
53307	302029 1 981,25	220/380 / 50 / 3	507639 127,50	511698 245,35	503965 91,20	
53308	302029 1 981,25	220 / 60 / 3	507639 127,50	511698 245,35	503965 91,20	





INDEX	REF.	DESIGNATION	Pricelist in : EUR
1	59961	R60B LID SWITCH ACTUATOR	6,35
2	500280	PLASTIC CAP KNOB	2,65
3	59026	R25B LID COVER	25,10
4	100913	CLAMP KNOB	43,15
5	59631	R25B LID LOCK KNOB ASSEMBLY	94,75
6	100965	R60B LID SEAL-12MM SQUARE	41,05
7	59896	R25B LID ASSEMBLY	301,65
8	69740	BOWL ASS	866,20
9	100914	R25B BOWL LOCK KNOB-METAL	41,05
10	504449	R25B BOWL SEAL	2,45
11	501710	R800 MOTOR SEAL 30x40x8	3,15
12	59104	SEALING SOCKET ASS	86,60
13	69290	R40B MOTOR SUPPORT	632,55
14	69344	MOTOR COVER ASS	294,80
15	69147	R60BA VERTICAL BEARING BLOCK	101,40
16	69157	TILTING BLOCK AXE	205,50
17	59103	TILTING FRONT AXE	178,15
18	110418	R60B BRONZE COLLAR	64,95
19	100384	R60 TILT ARM KNOB	37,75
20	59114	R60B TILT ARM	270,00
21	101770	LOCKING NUT FLANGE	19,15
22	110495	R25B TILT ARM COLLAR	100,85
23	69124	R25B TILT ARM BRACKET	353,10
24	400746	FRONT PLATE	11,30
25	59034	BASE ASS	1 012,25
26	59455	R25B WHEEL & BRACKET	55,45
27	59037	R25B HINGE PIN	17,15
28	206448	BALL DRIVER NUT	10,60
29	505220	BALL DRIVER	20,55
30	127710	R25B S.10 SWITCH SEAL	8,25
31	59730	R25B S.10 HINGE BRACKET	70,05
32	59021	SHOULDERED RING ASS	6,25
33	127700	R25 S.10 BOWL MAGNET BLOCK	11,55
34	501000	R8 MAGNET	0,65
35	101822	R25BA SOCKET KEY	38,05
36	101732	SPACER	444,90
37	400319	CONTROL PANNEL PLATE	32,30
38	500445	C120 PADDLE ASS LOCK KNOB	4,50
39	69003	PIN ASS	10,00
40	126533	ACCESS FLAP DOOR	116,75
41	126600	ACCESS FLAP DOOR SEAL	34,20
42	116413	THRUST ARM	84,75
43	59170	NYLON THRUST BLOCK	44,20
44	59500	HANDLE ASS	16,65
45	116787	BOWL THRUST	10,70
46	59807	R25 S5 MOTOR SUPPORT	8,70
47	116798	R60B FOOT	9,25



- (A)** R25/40 S10 ROTARY SWITCH
- (B)** R25B OVERLOAD RELAY 13-18A
- (C)** R60I TRANSFORMER
- (M)** MOTOR

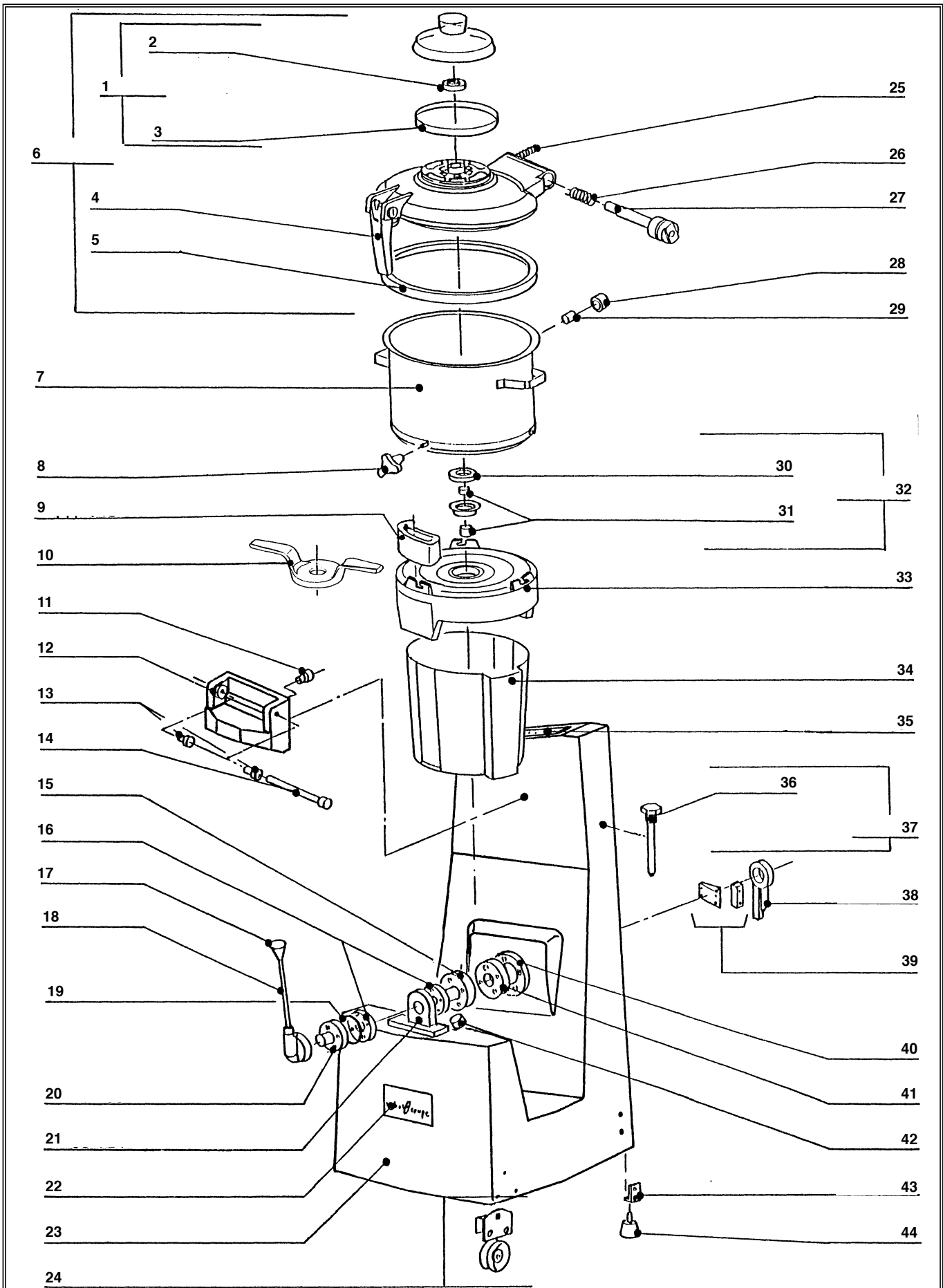
INDEX	REF.	DESIGNATION	Pricelist in : EUR
1	502810	R800 SWITCH HANDLE-STAR	13,55
2	130174	R800 SWITCH HANDLE-HEX	12,95
3	120923	R25B ROTARY SWITCH COWL	30,90
4	59010	R25B S.10 LID SWITCH ASSEMBLY	61,60
5	69817	R40B REED SWITCH ASSEMBLY	37,00
6	508860	R60BA TIMER DIAL	111,80
7	509223	R60BA CONTACTOR 48V CA2 DN22E7	62,40
8	509784	COIL D 09 48 V	64,15
9	515416	COIL D 40 48 V	122,40
10	511566	R60BA CONTACTOR 40 AMP	214,95
11	100007	CONTACTOR SUPPORT	10,60
12	511621	R25B RECTIFIER	28,65
13	510554	ABSORBER	10,90
14	511600	WATER-TIGHT CAP	9,55
15	69718	CONTACT SWITCH	80,25
16	108339	R25B OVERLOAD RELAY SEAL	3,90
17	504823	SWITCH GEAR	41,00
18	511643	FUSE	2,95
19	511632	FUSE SUPPORT	12,75
20	100984	DISCONNECTOR SUPPORT	26,75
21	59213	R25B S.10 SHOCK ABSORBER	2,80
22	127655	ABSORBER ASS	7,10
23	511544	RELAY SUPPORT	24,10
24	503712	POWER CORD	56,45
25	118833	WIRE DUCT	7,90
26	514778	R10 SHOCK ABSORBER	9,30
27	508860	R60BA TIMER DIAL	111,80
28	511533	ADDITIONAL CONTACT	20,15
29	511555	R25B CONTACTOR LC1 D253E 48V	123,15
30	515405	COIL D 16 48 V	85,50



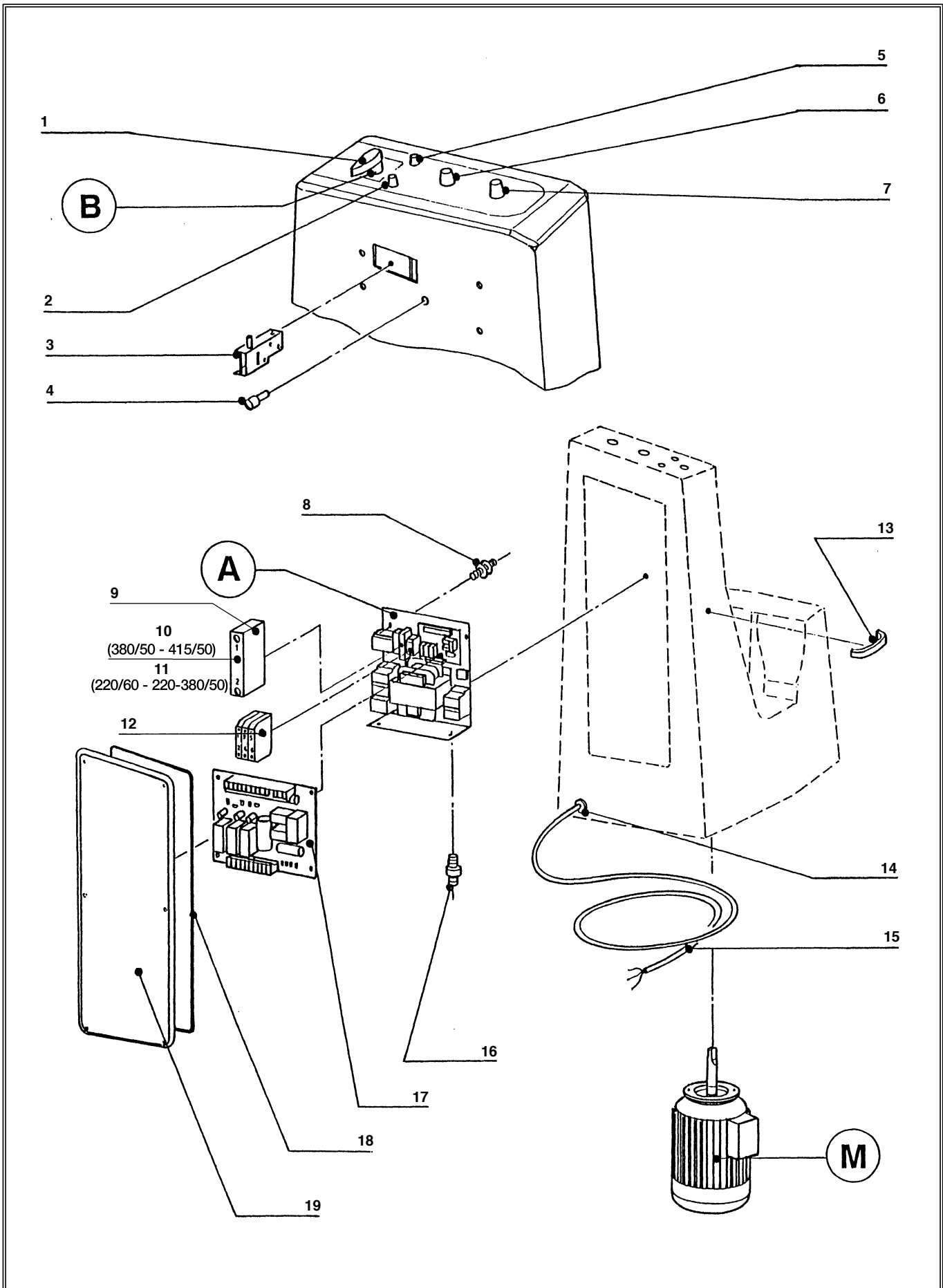
## R40B Série 10

Pricelist in : EUR

N°	M	Voltage	A	B	C	
53207	302031 2 069,05	220/380 / 50 / 3	511676 384,30	503954 96,85	511665 255,15	
53218	302029 1 981,25	380 / 50 / 3	511698 245,35	503965 91,20	511687 241,80	
53230	302032 1 981,25	220 / 60 / 3	511698 245,35	503954 96,85	511665 255,15	



INDEX	REF.	DESIGNATION	Pricelist in : EUR
1	29108	R10 LID COVER	41,05
2	502639	R10 LID CENTRE SEAL	1,85
3	500907	R10 LID COVER SEAL	7,55
4	59099	R25BA LID LATCH ASSEMBLY	97,70
5	101733	R25A LID SEAL 20MM	41,05
6	59105	R25BA LID ASSEMBLY	301,65
7	59108	R40BA BOWL	866,20
8	100914	R25B BOWL LOCK KNOB-METAL	41,05
9	117146	BLADE DISMONTING HOLDER	13,70
10	101822	R25BA SOCKET KEY	38,05
11	102044	R25/R40 SAFETY FINGER	10,40
12	59101	HINGE ASS	70,05
13	105875	R25B HINGE BUSH	2,00
14	59098	HINGE PIN ASS	31,70
15	59103	TILTING FRONT AXE	178,15
16	110418	R60B BRONZE COLLAR	64,95
17	100384	R60 TILT ARM KNOB	37,75
18	59114	R60B TILT ARM	270,00
19	101770	LOCKING NUT FLANGE	19,15
20	110495	R25B TILT ARM COLLAR	100,85
21	69124	R25B TILT ARM BRACKET	353,10
22	400794	PLAQ SIGN R60B 415V 13CV	Contact us
23	59109	BASE ASS	1 012,25
24	59455	R25B WHEEL & BRACKET	55,45
25	101316	R10/R20 S5 SAFETY FINGER	2,75
26	101659	R25BA LID SPRING	51,05
27	101657	LID SHAFT	102,05
28	101990	R25A/R40A MAGNET CAP	10,15
29	501000	R8 MAGNET	0,65
30	504449	R25B BOWL SEAL	2,45
31	501710	R800 MOTOR SEAL 30x40x8	3,15
32	59104	SEALING SOCKET ASS	86,60
33	101732	SPACER	444,90
34	69113	MOTOR COVER ASS	294,80
35	401140	CONTROL PANNEL PLATE	32,30
36	500445	C120 PADDLE ASS LOCK KNOB	4,50
37	59950	PIN ASSEMBLY	9,45
38	116413	THRUST ARM	84,75
39	59170	NYLON THRUST BLOCK	44,20
40	69147	R60BA VERTICAL BEARING BLOCK	101,40
41	69157	TILTING BLOCK AXE	205,50
42	116787	BOWL THRUST	10,70
43	59807	R25 S5 MOTOR SUPPORT	8,70
44	116798	R60B FOOT	9,25





- (A)** ELCTRIC CIRCUIT BOARD
- (B)** R25/40 S10 ROTARY SWITCH
- (M)** MOTOR

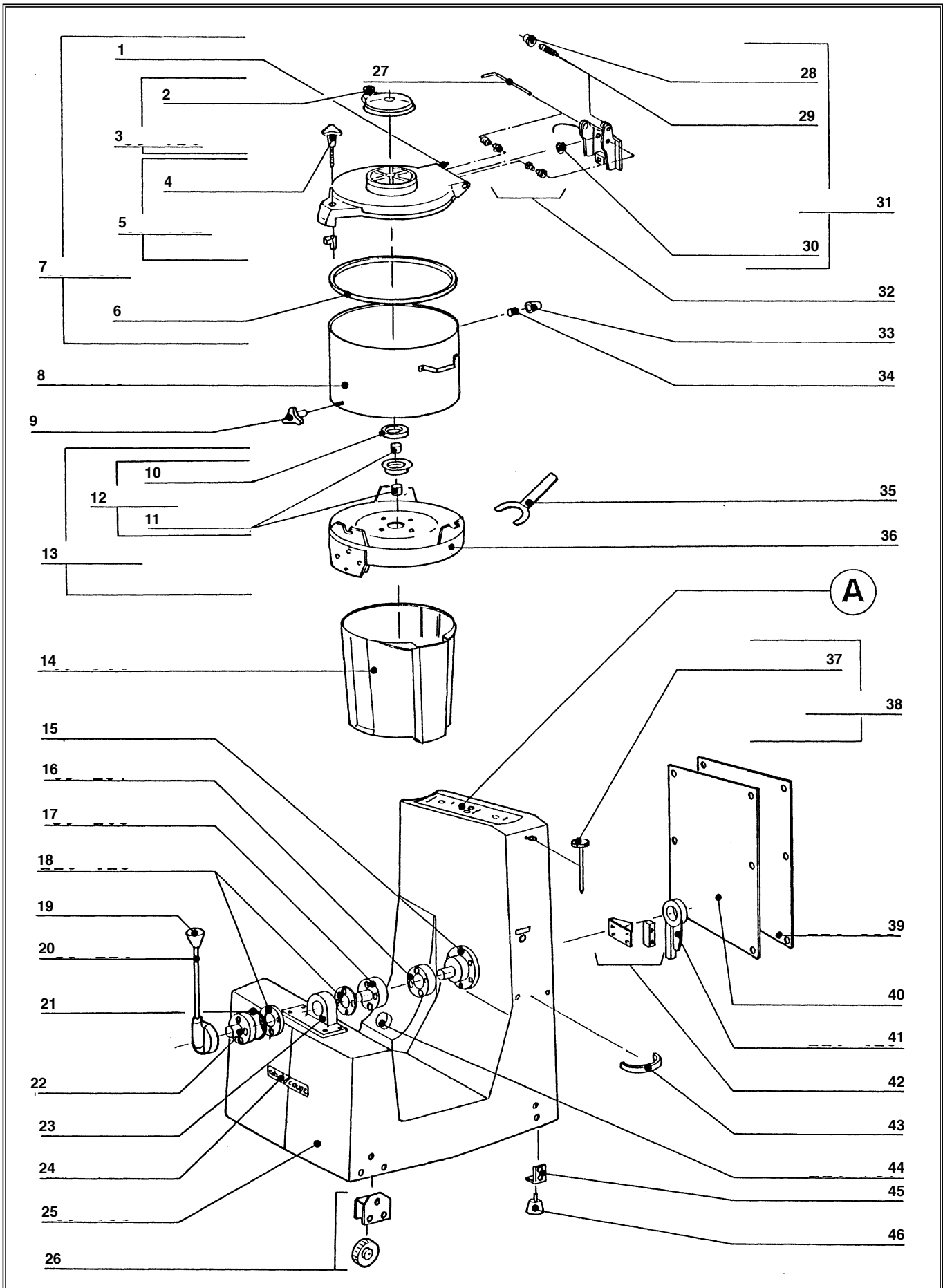
INDEX	REF.	DESIGNATION	Pricelist in : EUR
1	502810	R800 SWITCH HANDLE-STAR	13,55
2	500518	R10 GREEN INDICATOR	6,75
3	29262	R10a SAFTEY SWITCH ASSEMBLY	62,65
4	29318	R25BA REED SWITCH ASSEMBLY	37,00
5	500520	R10 CLEAR INDICATOR	6,75
6	500322	GREEN KNOB	32,90
7	500321	RED KNOB	32,90
8	502876	ABSORBER	7,60
9	503115	8X31 FUSE THERMINAL	10,85
10	503112	8X31 20A GL FUSE	4,30
11	503113	8X31 10A AM FUSE	4,70
12	29165	FUSE ASS	24,25
13	500561	CL60 HANDLE	33,75
14	501773	WIRE DUCT	4,40
15	502687	POWER CORD	89,90
16	514778	R10 SHOCK ABSORBER	9,30
17	29070	R10 PCB	127,05
18	101759	ACCESS FLAP DOOR SEAL	34,20
19	101663	ACCESS FLAP DOOR	125,95

**robot coupe**

**R40B "A"**

Pricelist in : EUR

N°	M	Voltage	A	B	
53320	302029 1 981,25	380 / 50 / 3	59093 915,90	511698 245,35	
53321	302031 2 069,05	220/380 / 50 / 3	59095 915,90	500975 329,25	
53322	302032 1 981,25	220 / 60 / 3	59095 915,90	511698 245,35	



**A**

FRONT PLATE R40B D.V.

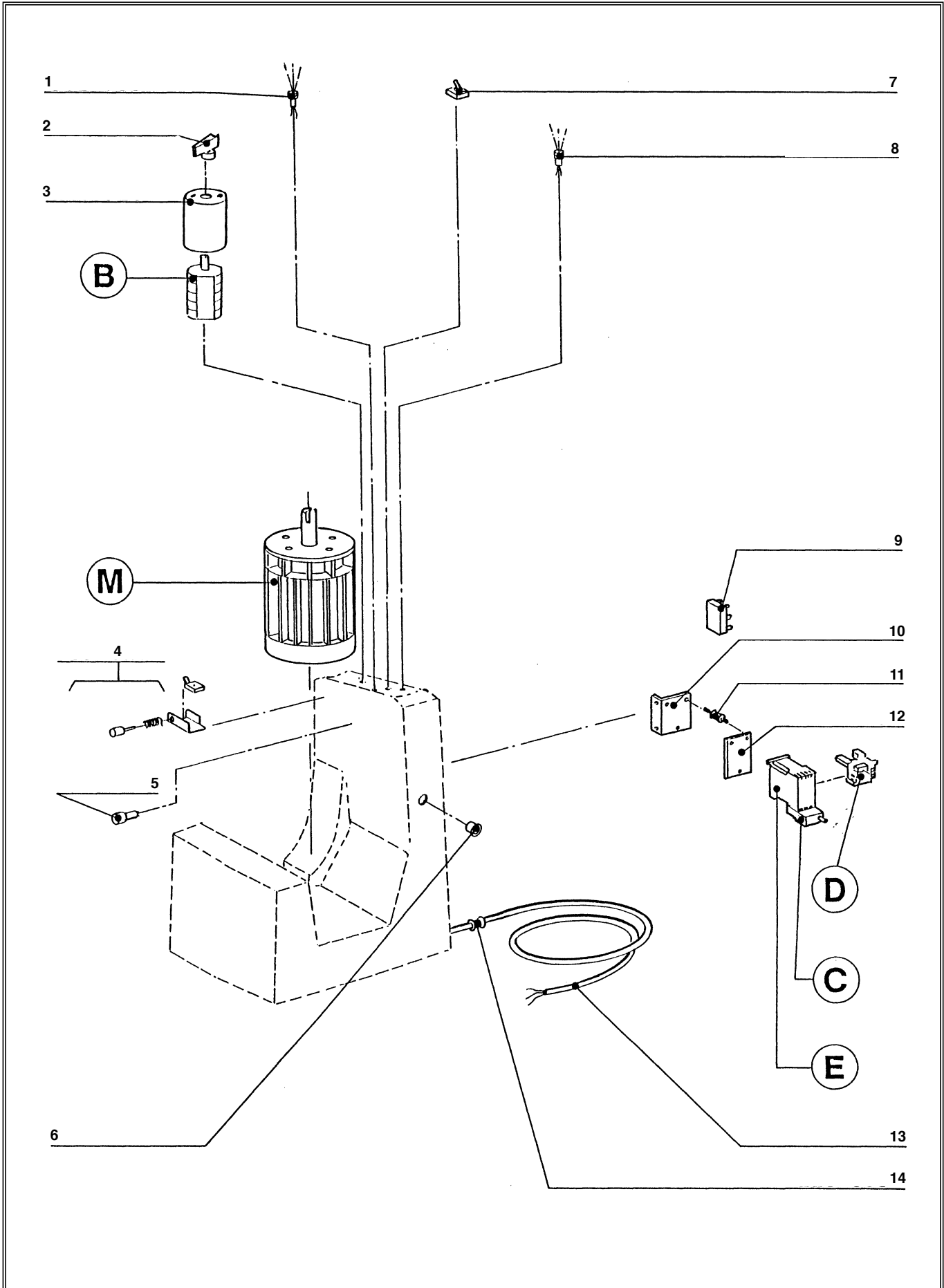
INDEX	REF.	DESIGNATION	Pricelist in : EUR
1	59961	R60B LID SWITCH ACTUATOR	6,35
2	500280	PLASTIC CAP KNOB	2,65
3	59026	R25B LID COVER	25,10
4	100913	CLAMP KNOB	43,15
5	59631	R25B LID LOCK KNOB ASSEMBLY	94,75
6	100965	R60B LID SEAL-12MM SQUARE	41,05
7	59896	R25B LID ASSEMBLY	301,65
8	69740	BOWL ASS	866,20
9	100914	R25B BOWL LOCK KNOB-METAL	41,05
10	504449	R25B BOWL SEAL	2,45
11	501710	R800 MOTOR SEAL 30x40x8	3,15
12	59104	SEALING SOCKET ASS	86,60
13	69290	R40B MOTOR SUPPORT	632,55
14	69344	MOTOR COVER ASS	294,80
15	69147	R60BA VERTICAL BEARING BLOCK	101,40
16	69157	TILTING BLOCK AXE	205,50
17	59103	TILTING FRONT AXE	178,15
18	110418	R60B BRONZE COLLAR	64,95
19	100384	R60 TILT ARM KNOB	37,75
20	59114	R60B TILT ARM	270,00
21	101770	LOCKING NUT FLANGE	19,15
22	110495	R25B TILT ARM COLLAR	100,85
23	69124	R25B TILT ARM BRACKET	353,10
24	400746	FRONT PLATE	11,30
25	59033	BASE ASS	1 012,25
26	59455	R25B WHEEL & BRACKET	55,45
27	59037	R25B HINGE PIN	17,15
28	206448	BALL DRIVER NUT	10,60
29	505220	BALL DRIVER	20,55
30	127710	R25B S.10 SWITCH SEAL	8,25
31	59730	R25B S.10 HINGE BRACKET	70,05
32	59021	SHOULDERED RING ASS	6,25
33	127700	R25 S.10 BOWL MAGNET BLOCK	11,55
34	501000	R8 MAGNET	0,65
35	101822	R25BA SOCKET KEY	38,05
36	101732	SPACER	444,90
37	500445	C120 PADDLE ASS LOCK KNOB	4,50
38	69003	PIN ASS	10,00
39	126533	ACCESS FLAP DOOR	116,75
40	126600	ACCESS FLAP DOOR SEAL	34,20
41	116413	THRUST ARM	84,75
42	59170	NYLON THRUST BLOCK	44,20
43	59500	HANDLE ASS	16,65
44	116787	BOWL THRUST	10,70
45	59807	R25 S5 MOTOR SUPPORT	8,70
46	116798	R60B FOOT	9,25

**robot coupe®**

**R40B Série 5**

**Pricelist in : EUR**

N°	M	Voltage	A	
53405	302031 2 069,05	220/380 / 50 / 3	400304 32,30	
53416	302029 1 981,25	380 / 50 / 3	400317 32,30	
53438	302032 1 981,25	220 / 60 / 3	400317 32,30	



- (B)** COMMUTATOR
- (C)** R25B OVERLOAD RELAY 13-18A
- (D)** COIL
- (E)** CONTACTOR
- (M)** MOTOR

INDEX	REF.	DESIGNATION	Pricelist in : EUR
1	502788	GREEN LAMP	9,05
2	502810	R800 SWITCH HANDLE-STAR	13,55
3	120923	R25B ROTARY SWITCH COWL	30,90
4	59010	R25B S.10 LID SWITCH ASSEMBLY	61,60
5	69817	R40B REED SWITCH ASSEMBLY	37,00
6	108339	R25B OVERLOAD RELAY SEAL	3,90
7	29106	R25B ON/OFF SWITCH-TOGGLE	12,85
8	502898	R25B INDICATOR-ORANGE	7,70
9	504823	SWITCH GEAR	41,00
10	100984	DISCONNECTOR SUPPORT	26,75
11	59213	R25B S.10 SHOCK ABSORBER	2,80
12	112750	ABSORBER SUPPORT	8,25
13	503712	POWER CORD	56,45
14	118833	WIRE DUCT	7,90

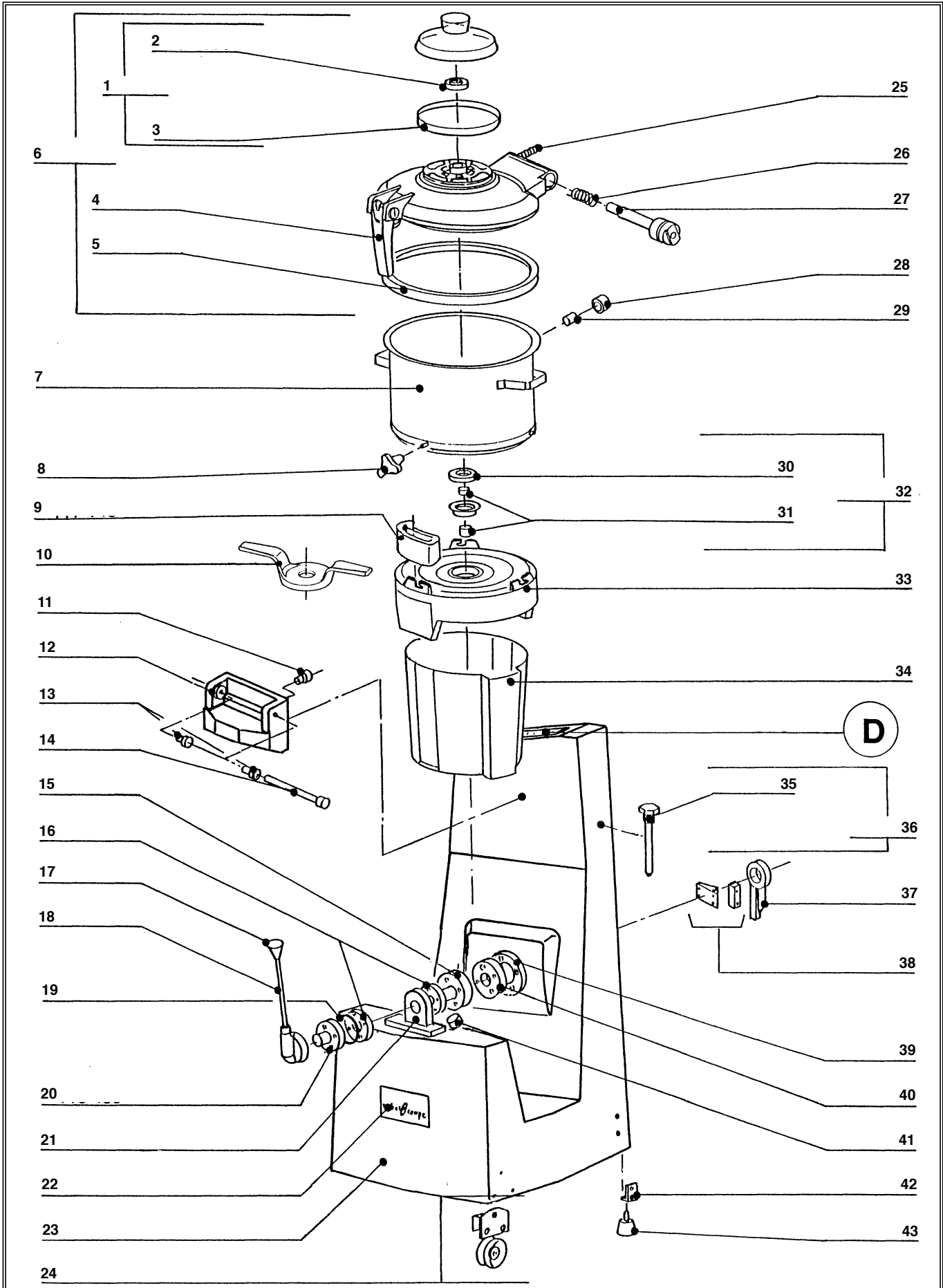


## R40B Série 5

Pricelist in : EUR

N°	M	Voltage	B	C	D	E	
53405	302031 2 069,05	220/380 / 50 / 3	59063 249,05	503954 96,85	507640 111,05	507639 127,50	
53416	302029 1 981,25	380 / 50 / 3	59062 140,45	503965 91,20	507640 111,05	507639 127,50	
53438	302032 1 981,25	220 / 60 / 3	59062 140,45	503954 96,85	504097 40,65	503899 123,15	





**D**
**CONTROL PANNEL PLATE**

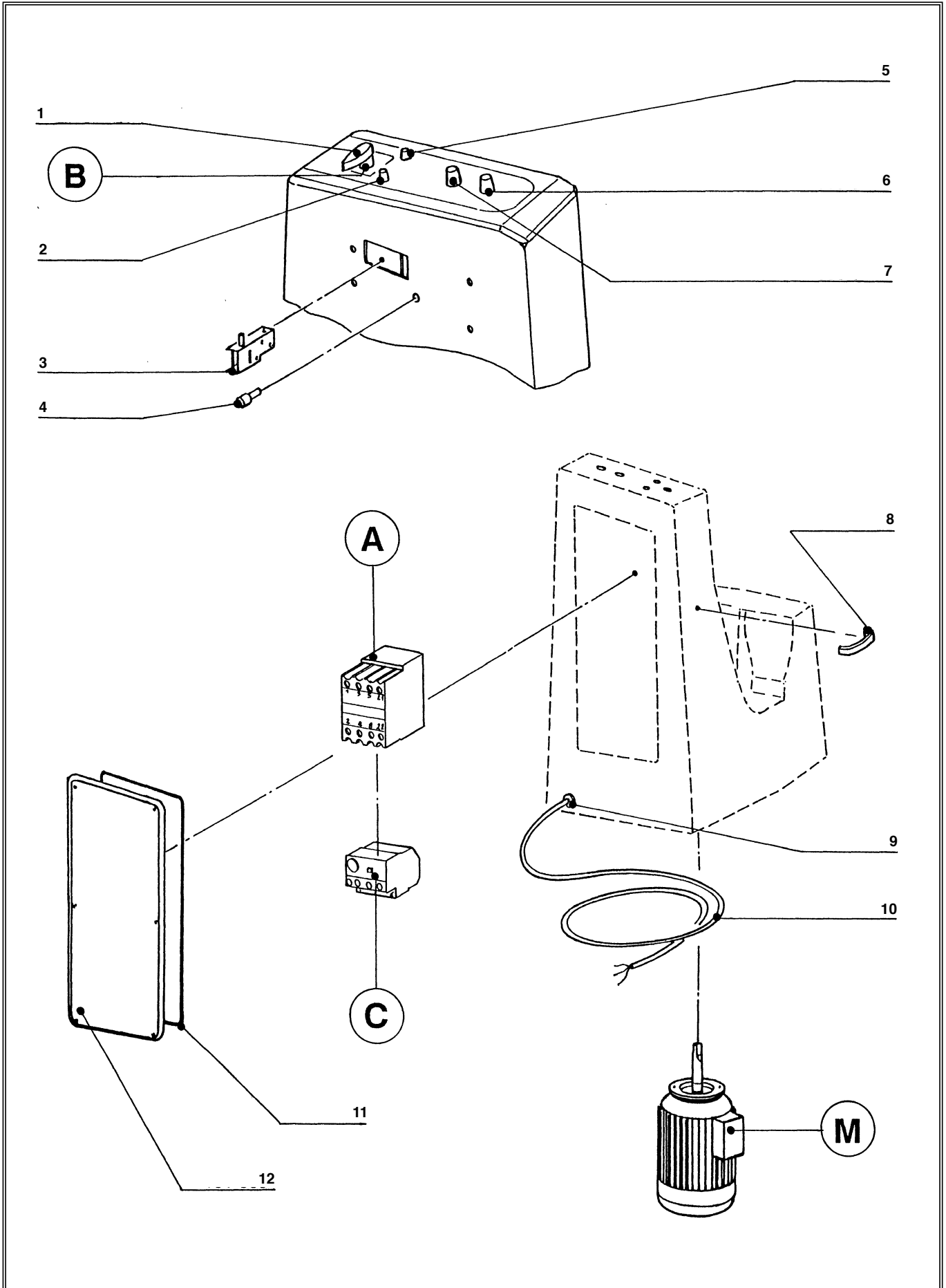
INDEX	REF.	DESIGNATION	Pricelist in : EUR
1	29108	R10 LID COVER	41,05
2	502639	R10 LID CENTRE SEAL	1,85
3	500907	R10 LID COVER SEAL	7,55
4	59099	R25BA LID LATCH ASSEMBLY	97,70
5	101733	R25A LID SEAL 20MM	41,05
6	59105	R25BA LID ASSEMBLY	301,65
7	59108	R40BA BOWL	866,20
8	100914	R25B BOWL LOCK KNOB-METAL	41,05
9	117146	BLADE DISMONTING HOLDER	13,70
10	101822	R25BA SOCKET KEY	38,05
11	102044	R25/R40 SAFETY FINGER	10,40
12	59101	HINGE ASS	70,05
13	105875	R25B HINGE BUSH	2,00
14	59098	HINGE PIN ASS	31,70
15	59103	TILTING FRONT AXE	178,15
16	110418	R60B BRONZE COLLAR	64,95
17	100384	R60 TILT ARM KNOB	37,75
18	59114	R60B TILT ARM	270,00
19	101770	LOCKING NUT FLANGE	19,15
20	110495	R25B TILT ARM COLLAR	100,85
21	69124	R25B TILT ARM BRACKET	353,10
22	400746	FRONT PLATE	11,30
23	59109	BASE ASS	1 012,25
24	59455	R25B WHEEL & BRACKET	55,45
25	101316	R10/R20 S5 SAFETY FINGER	2,75
26	101659	R25BA LID SPRING	51,05
27	101657	LID SHAFT	102,05
28	101990	R25A/R40A MAGNET CAP	10,15
29	501000	R8 MAGNET	0,65
30	504449	R25B BOWL SEAL	2,45
31	501710	R800 MOTOR SEAL 30x40x8	3,15
32	59104	SEALING SOCKET ASS	86,60
33	101732	SPACER	444,90
34	69344	MOTOR COVER ASS	294,80
35	500445	C120 PADDLE ASS LOCK KNOB	4,50
36	59950	PIN ASSEMBLY	9,45
37	116413	THRUST ARM	84,75
38	59170	NYLON THRUST BLOCK	44,20
39	69147	R60BA VERTICAL BEARING BLOCK	101,40
40	69157	TILTING BLOCK AXE	205,50
41	116787	BOWL THRUST	10,70
42	59807	R25 S5 MOTOR SUPPORT	8,70
43	116798	R60B FOOT	9,25



## R40B "A" Série 5

Pricelist in : EUR

N°	M	Voltage	D	
53324	302029 <a href="#">1 981,25</a>	380 / 50 / 3	401140 <a href="#">32,30</a>	
53325	302031 <a href="#">2 069,05</a>	220/380 / 50 / 3	401140 <a href="#">32,30</a>	
53326	302032 <a href="#">1 981,25</a>	220 / 60 / 3	401140 <a href="#">32,30</a>	
53330	303040 <a href="#">Contact us</a>	380 / 60 / 3	401140 <a href="#">32,30</a>	



**robot coupe**

**R40B "A" Série 5**

- (A)** CONTACTOR
- (B)** R25/40 S10 ROTARY SWITCH
- (C)** R25B OVERLOAD RELAY 13-18A
- (M)** MOTOR

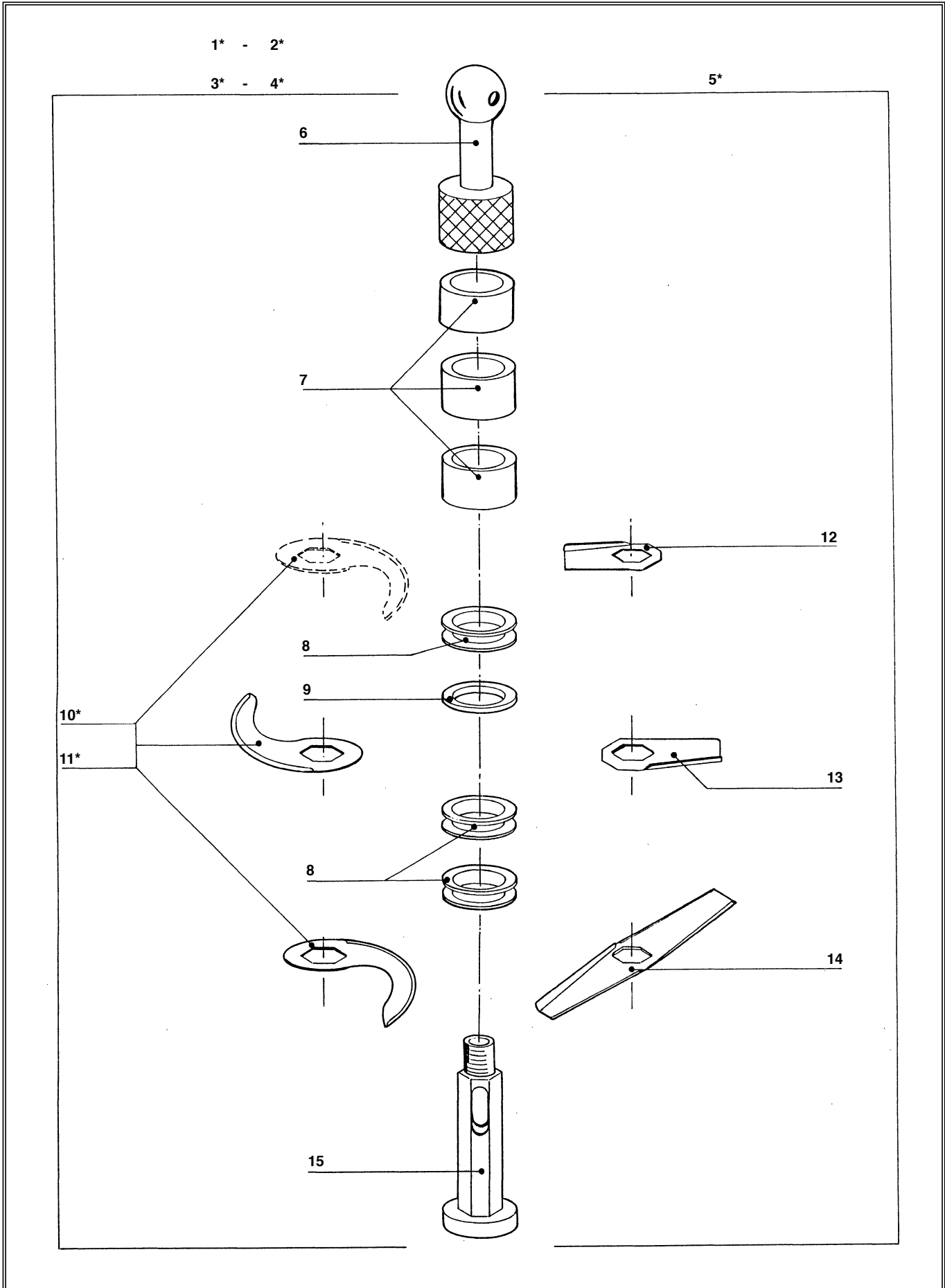
INDEX	REF.	DESIGNATION	Pricelist in : EUR
1	502810	R800 SWITCH HANDLE-STAR	13,55
2	502788	GREEN LAMP	9,05
3	29270	R10 (D) SAFETY SWITCH ASS	62,65
4	29318	R25BA REED SWITCH ASSEMBLY	37,00
5	505252	CRISTAL LAMP	7,70
6	500321	RED KNOB	32,90
7	500322	GREEN KNOB	32,90
8	500561	CL60 HANDLE	33,75
9	501773	WIRE DUCT	4,40
10	501687	L240+240 5/10 red wire	Contact us
11	101759	ACCESS FLAP DOOR SEAL	34,20
12	101663	ACCESS FLAP DOOR	125,95



## R40B "A" Série 5

Pricelist in : EUR

N°	M	Voltage	A	B	C	
53324	302029 1 981,25	380 / 50 / 3	507639 127,50	511698 245,35	503965 91,20	
53325	302031 2 069,05	220/380 / 50 / 3	507639 127,50	500975 329,25	503954 96,85	
53326	302032 1 981,25	220 / 60 / 3	503899 123,15	511698 245,35	503954 96,85	
53330	303040 Contact us	380 / 60 / 3	502783 57,55	511698 245,35	503965 91,20	



INDEX	REF.	DESIGNATION	Pricelist in : EUR
1	57026	R25B BLADE ASSEMBLY-FLAT-NS	531,50
2	57029	STRAIGHT BLADE 2 BL	453,20
3	57015	SERRATED BLADE 2 BL	483,10
4	57027	R25B BLADE ASSEMBLY-SERRATED	573,75
5	57028	KNEADING TOOL	568,60
6	100971	R25B BLADE SHAFT CAP	78,30
7	103940	R25B BLADE SPACER 27MM	11,90
8	103917	STICK BLENDER MIXING POT	6,50
9	102652	R25B BLADE SPACER 4MM	2,50
10	108020	R25B BLADE-FLAT EDGE	86,55
11	108383	R25B BLADE-SERRATED EDGE	95,80
12	100011	VANE 140	64,80
13	100012	VANE 180	64,80
14	100013	BOTTOM VANE	90,50
15	100274	R25B BLADE SHAFT - NS	107,85





**(A)** PCB R45 CMMUTABLE

**(M)** 4.5/6/220/60 R45 MOTOR

INDEX	REF.	DESIGNATION	Pricelist in : EUR
1	59128	HINGE ASSEMBLY	146,25
2	501424	SEALING RING 20X30	2,55
3	118126	BUSH	0,75
4	118253	R45 LID SWITCH CAM	3,15
5	59130	LID SUPPORT ASSEMBLY	176,65
6	118101	R23-R60 LID SUPPORT	152,80
7	118132	R30 LID REED SWITCH	10,95
8	59131	ARM CLIP ASSEMBLY	13,10
10	57081	R45 (3) FLAT BLADE ASSEMBLY	See Price list
11	57082	R45 (3) COARSE SERRATED BLADE ASSEMBLY	See Price list
12	57084	R45 (3) FINE SERRATED BLADE ASSEMBLY	See Price list
13	118206	R45 BLADE CAP	93,70
14	118207	R45 PLASTIC WASHER	6,75
15	118204	R45 BLADE SPACER 14MM	18,15
16	118205	R45 BLADE SPACER 43MM	28,55
17	117952	R45 (1) FLAT BLADE	See Price list
18	118287	R45 (1) COARSE SERRATED BLADE	See Price list
19	118243	R45 (1) FINE SERRATED BLADE	See Price list
20	117932	R45 BLADE SUPPORT	144,20
21	59143	R45 MOTOR SEAL SOCKET ASSEMBLY	191,40
22	59168	SHAFT SEAL RING ASSY	41,05
23	118153	BOWL SEAL	8,70
24	507054	R45 MOTOR SHAFT SEAL 40X52X7	2,80
25	507050	O RING	3,15
26	118175	R45 UPPER MOTOR COVER	87,90
27	118157	R30 BOWL REED SWITCH	9,75
28	59198	R45 MOTOR SUPPORT ASSY	284,95
29	118127	SAFETY WIRING	5,40
30	118257	(FA) Casing Access Door Seal, R45T\R60T	25,20
31	117940	R45/R60 CASING ACCESS DOOR	198,05
32	59145	Control Panel Assembly	194,10
33	118146	BACK TILTING PIVOT SPACER	22,10
34	59135	BACK TILTING PIVOT ASSEMBLY	116,50
35	119214	TILTING PIVOT STAPLE	13,95
36	118147	BACK THRUST WASHER	18,40
37	117959	TILTING THRUST	19,10
38	507007	MP450/550 MICROSWITCH	2,40
39	117939	R45/R60 CASING	836,70
40	118186	CASING FOOT	21,80
41	502687	POWER CORD	89,90
42	501773	WIRE DUCT	4,40
43	118148	BACK BEARING BUSH	2,45
44	118150	SLEEVE BUSH	2,65
45	118149	SLEEVE 107mm	23,00
46	118255	HINGE FLAT SEAL	2,45
47	59127	SAFETY SWITCH ASSEMBLY	18,60
48	118254	SWITCH SUPPORT	4,00
49	501258	SAFETY SWITCH	14,65
58	59142	R45 BOWL	719,05
59	118171	SAFETY PLUG	7,85
60	59165	BOWL THRUST ASSEMBLY	92,00
61	118595	PLASTIC BOWL THRUST	1,30
62	118174	R45 MOTOR DEFLECTOR	22,15
63	59950	PIN ASSEMBLY	9,45
64	118268	R45 KNIFE DISMOUNTING TOOL	15,75
65	118297	R45 BOTTOM MOTOR COVER	257,05
66	118142	R30 TILT ARM END COVER	5,65
67	59138	R30 TILT ARM	116,50
68	208582	R172 STAR WASHER N/A	6,65

INDEX	REF.	DESIGNATION	Pricelist in : EUR
69	118166	R30 HEX ADJUSTING NUT	14,40
70	117956	PLUG	14,90
71	118144	FRONT BEARING BUSH	2,45
72	118143	FRONT THRUST WASHER	2,45
73	59137	FRONT TILTING PIVOT ASSEMBLY	70,25
74	117941	R45 STAND	325,30
75	117958	STAND FOOT	21,80
76	59207	R45 LID WIPER ASSY	52,00
77	118227	LID WIPER NUT	3,80
78	118228	LID WIPER GUIDE	3,85
79	118222	R45 LID WIPER	18,45
80	118225	R45 LID SCRAPER	6,55

**robot coupe®**

**R45**

**Pricelist in : EUR**

N°	M	Voltage	A	
53034	303063 1 350,05	400 / 50 / 3	117991 730,65	
53035	303069 1 350,05	220 / 60 / 3	117993 1 044,90	
53041	303069 1 350,05	380 / 60 / 3	117993 1 044,90	

- Déterminer votre type de R45 suivant les formes du joint et du crochet de couvercle.
- Chose your kind of R45 between seal and lid hook shapes.

1a	1a	1b
2a	2a	2b
3	3a	3b
4	4a	4b
5a	5b	5b
6	6	6
7	7	7
8a	8a	8b
9a	9b	9b

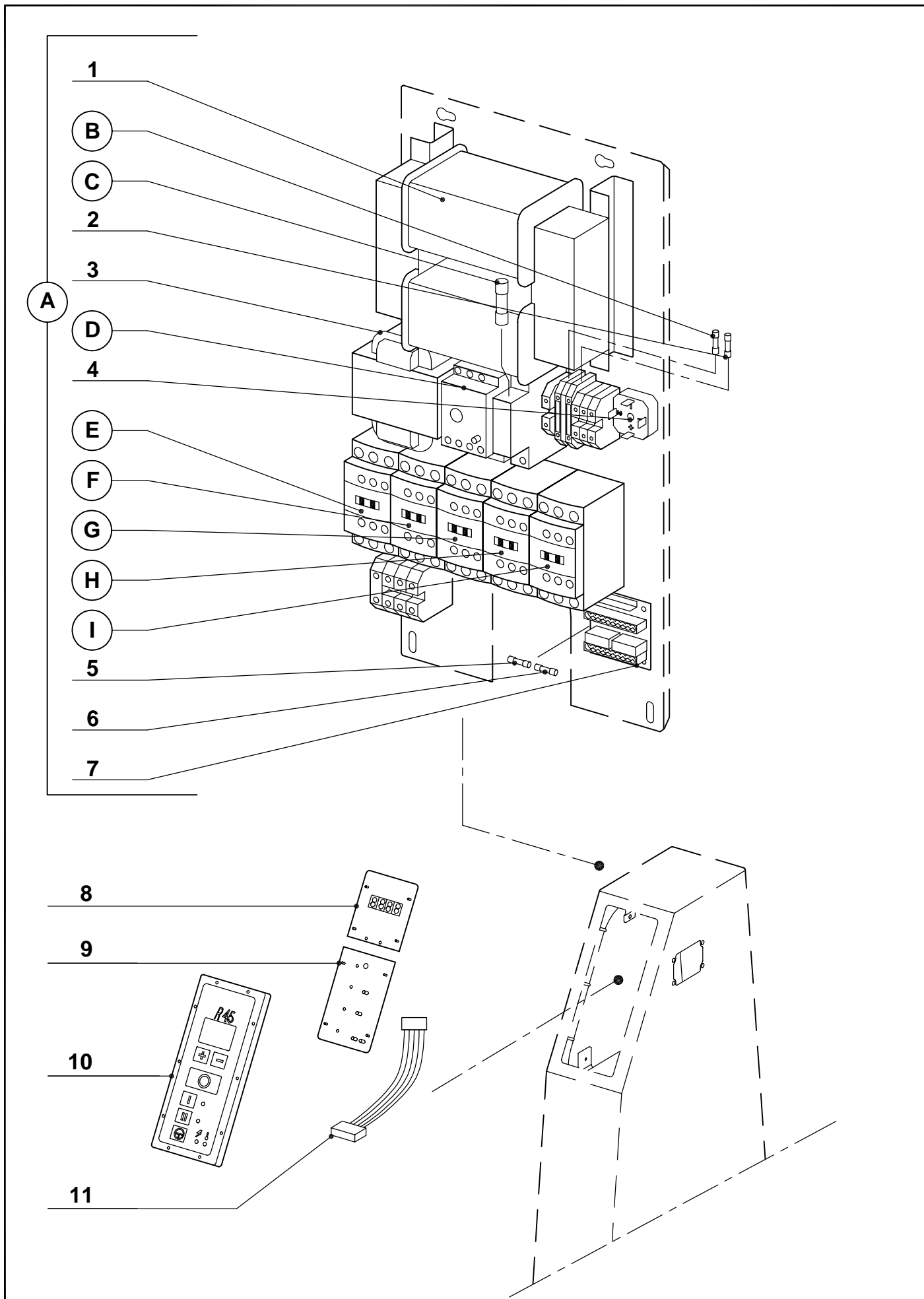
- (A)** PCB R45 CMMUTABLE
- (B)** FUSIBLE CART.10X38 10A AM
- (C)** THERMAL RELAY
- (D)** PRIMARY FUSE 8A
- (E)** HIGHT SPEED CONTACTOR
- (F)** (DA) Contactor, R30T
- (G)** (DA) Contactor, R30T
- (H)** (DA) Contactor, R30T

INDEX	REF.	DESIGNATION	Pricelist in : EUR
1a	118109	LEFT LID TUBE	55,00
1b	119209	R45 LEFT LID TUBE	57,70
2a	118108	RIGHT LID TUBE	55,00
2b	119208	R45 RIGHT LID TUBE	57,70
3	59230		Contact us
3a	118172	LID HOOK	47,30
3b	119212	R45 LID LATCH HOOK	49,65
4	59231		Contact us
4a	59129	LID HANDLE ASSEMBLY	183,45
4b	59196	R45 LID LATCH ASSEMBLY	183,45
5a	59232		Contact us
5b	59141	R45 LID ASSEMBLY	206,40
6	118100	R30 LID CENTRE SUPPORT SEAL	9,60
7	118573	R23-R60 LID CAP	27,75
8a	118179	R45 LID PLASTIC ONLY	126,05
8b	119253	R45 COMPLETE LID	134,81
9a	59233		Contact us
9b	119185	R45 LID SEAL N/S FLAT	70,85

N°	M	Voltage	A	B	C	D	E	F	G	
53034	303063 1 350,05	400 / 50 / 3	117991 730,65	503106 3,20	503356 3,20	503960 51,10	503363 27,25	503363 27,25	503364 44,60	
53035	303069 1 350,05	220 / 60 / 3	117993 1 044,90	504257 3,40	502495 3,70	503376 51,55	503362 66,75	503362 66,75	503362 66,75	
53041	303069 1 350,05	380 / 60 / 3	117993 1 044,90	503106 3,20	503356 3,20	503960 51,10	503363 27,25	503363 27,25	503364 44,60	

N°	M	Voltage	H	
53034	303063 1 350,05	400 / 50 / 3	503364 44,60	
53035	303069 1 350,05	220 / 60 / 3	503362 66,75	
53041	303069 1 350,05	380 / 60 / 3	503364 44,60	



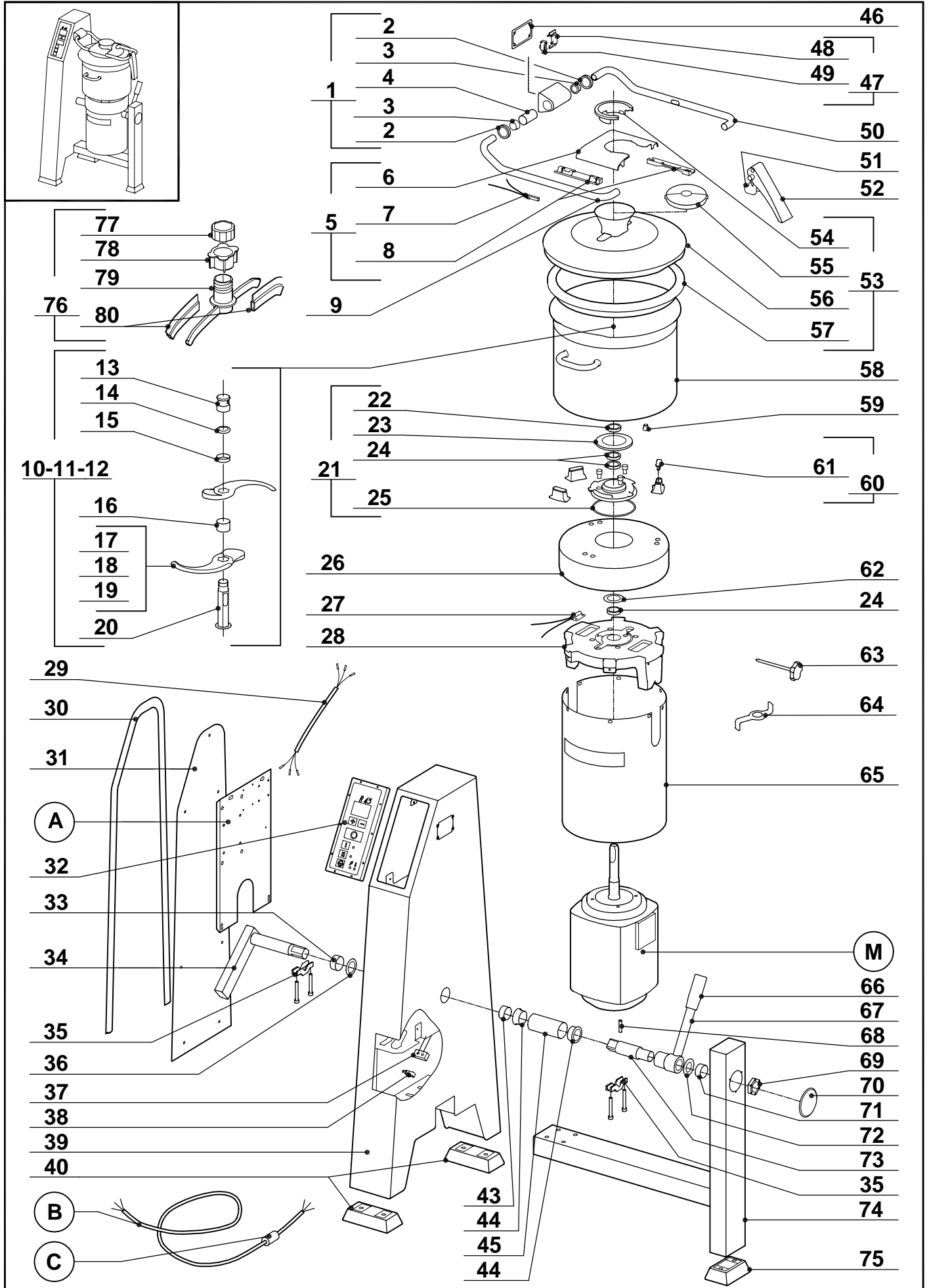


- (A)** POWER CIRCUIT BOARD
- (B)** PRIMARY FUSE 8A
- (C)** BREAK FUSE
- (D)** THERMAL RELAY
- (E)** (DA) Contactor, R30T
- (F)** (DA) Contactor, R30T
- (G)** (DA) Contactor, R30T
- (H)** (DA) Contactor, R30T
- (I)** (DA) Contactor, R30T

INDEX	REF.	DESIGNATION	Pricelist in : EUR
1	503971	TRANSFORMER 48V	155,45
2	500537	PRIMARY FUSE 9/24V	3,00
3	503970	TRANSFORMER 9/24V	51,55
4	511620	TRANSFORMER	29,30
5	504253	SECONDARY FUSE 9V	3,75
6	507121	SECONDARY FUSE 24 V	3,20
7	117980	R30 CONNECTION CARD	50,25
8	117999	TIMER CIRCUIT BOARD	79,20
9	117981	R30 PCB	137,60
10	59145	Control Panel Assembly	194,10
11	117982	R30 PCB CONNECTION CABLE	18,50

N°	M	Voltage	A	B	C	D	E	F	G	
53034	303063 1 350,05	400 / 50 / 3	117991 730,65	503106 3,20	503356 3,20	503960 51,10	503363 27,25	503363 27,25	503364 44,60	
53035	303069 1 350,05	220 / 60 / 3	117993 1 044,90	504257 3,40	502495 3,70	503376 51,55	503362 66,75	503362 66,75	503362 66,75	
53041	303069 1 350,05	380 / 60 / 3	117993 1 044,90	503106 3,20	503356 3,20	503960 51,10	503363 27,25	503363 27,25	503364 44,60	

N°	M	Voltage	H	I	
53034	303063 1 350,05	400 / 50 / 3	503364 44,60	507174 34,85	
53035	303069 1 350,05	220 / 60 / 3	503362 66,75	503362 66,75	
53041	303069 1 350,05	380 / 60 / 3	503364 44,60	507174 34,85	



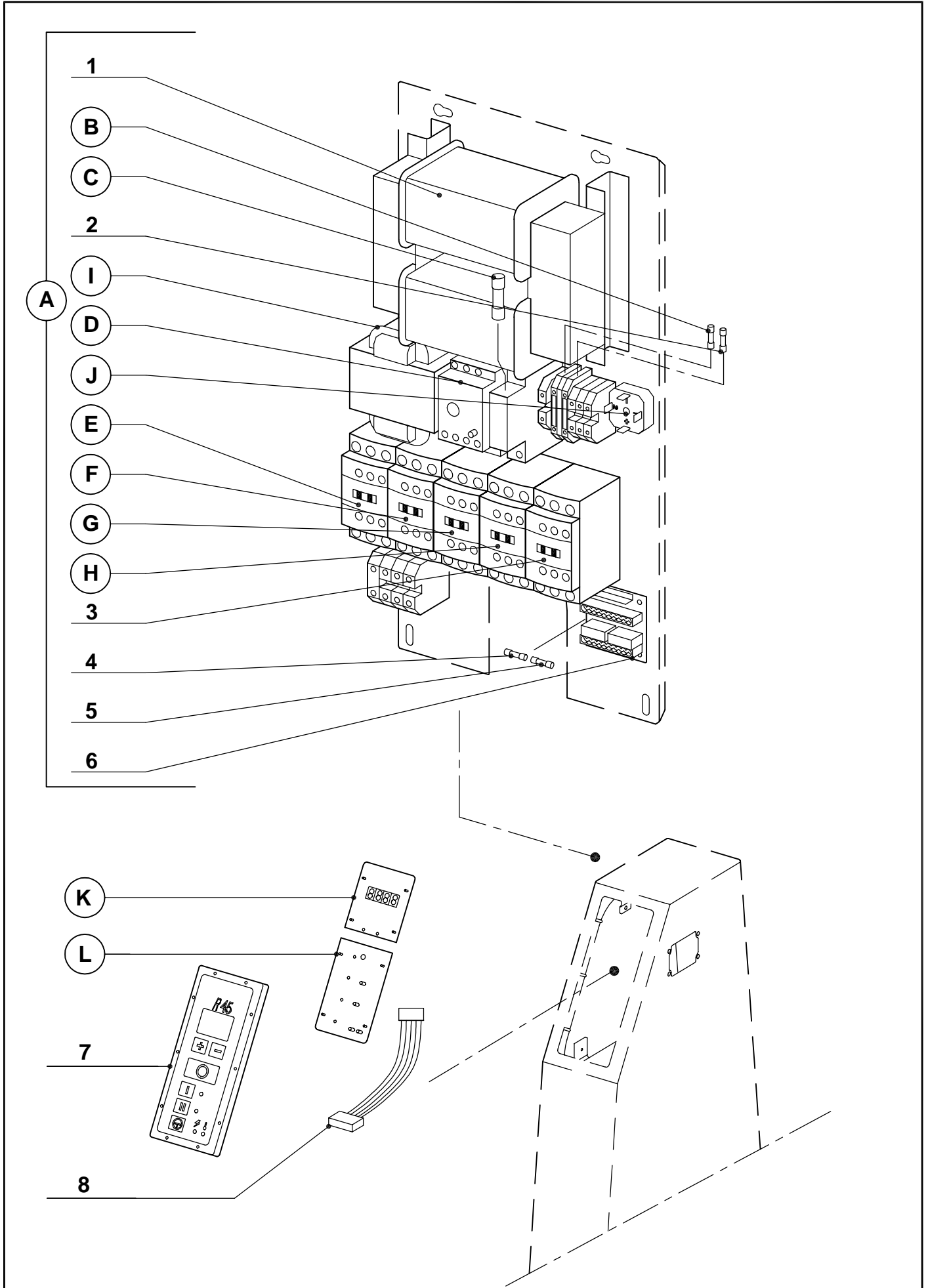
- (A)** PLATINE R60 220/60
- (B)** POWER CORD
- (C)** POWER CORD PROTECTOR
- (M)** R45 UL 10/7 220/60 MOTOR

INDEX	REF.	DESIGNATION	Pricelist in : EUR
1	59128	HINGE ASSEMBLY	146,25
2	501424	SEALING RING 20X30	2,55
3	118126	BUSH	0,75
4	118253	R45 LID SWITCH CAM	3,15
5	59130	LID SUPPORT ASSEMBLY	176,65
6	118101	R23-R60 LID SUPPORT	152,80
7	118132	R30 LID REED SWITCH	10,95
8	59131	ARM CLIP ASSEMBLY	13,10
9	119209	R45 LEFT LID TUBE	57,70
10	57081	R45 (3) FLAT BLADE ASSEMBLY	See Price list
11	57082	R45 (3) COARSE SERRATED BLADE ASSEMBLY	See Price list
12	57084	R45 (3) FINE SERRATED BLADE ASSEMBLY	See Price list
13	118206	R45 BLADE CAP	93,70
14	118207	R45 PLASTIC WASHER	6,75
15	118204	R45 BLADE SPACER 14MM	18,15
16	118205	R45 BLADE SPACER 43MM	28,55
17	117952	R45 (1) FLAT BLADE	See Price list
18	118287	R45 (1) COARSE SERRATED BLADE	See Price list
19	118243	R45 (1) FINE SERRATED BLADE	See Price list
20	117932	R45 BLADE SUPPORT	144,20
21	59143	R45 MOTOR SEAL SOCKET ASSEMBLY	191,40
22	59168	SHAFT SEAL RING ASSY	41,05
23	118153	BOWL SEAL	8,70
24	507054	R45 MOTOR SHAFT SEAL 40X52X7	2,80
25	507050	O RING	3,15
26	118175	R45 UPPER MOTOR COVER	87,90
27	118157	R30 BOWL REED SWITCH	9,75
28	59198	R45 MOTOR SUPPORT ASSY	284,95
29	118127	SAFETY WIRING	5,40
30	118257	(FA) Casing Access Door Seal, R45\T\R60T	25,20
31	117940	R45/R60 CASING ACCESS DOOR	198,05
32	59145	Control Panel Assembly	194,10
33	118146	BACK TILTING PIVOT SPACER	22,10
34	59135	BACK TILTING PIVOT ASSEMBLY	116,50
35	119214	TILTING PIVOT STAPLE	13,95
36	118147	BACK THRUST WASHER	18,40
37	117959	TILTING THRUST	19,10
38	507007	MP450/550 MICROSWITCH	2,40
39	117939	R45/R60 CASING	836,70
40	118186	CASING FOOT	21,80
43	118148	BACK BEARING BUSH	2,45
44	118150	SLEEVE BUSH	2,65
45	118149	SLEEVE 107mm	23,00
46	118255	HINGE FLAT SEAL	2,45
47	59127	SAFETY SWITCH ASSEMBLY	18,60
48	118254	SWITCH SUPPORT	4,00
49	501258	SAFETY SWITCH	14,65
50	119208	R45 RIGHT LID TUBE	57,70
51	119212	R45 LID LATCH HOOK	49,65
52	59196	R45 LID LATCH ASSEMBLY	183,45
53	59141	R45 LID ASSEMBLY	206,40
54	118100	R30 LID CENTRE SUPPORT SEAL	9,60
55	118573	R23-R60 LID CAP	27,75
56	118179	R45 LID PLASTIC ONLY	126,05
57	119185	R45 LID SEAL N/S FLAT	70,85

INDEX	REF.	DESIGNATION	Pricelist in : EUR
58	59142	R45 BOWL	719,05
59	118171	SAFETY PLUG	7,85
60	59165	BOWL THRUST ASSEMBLY	92,00
61	118595	PLASTIC BOWL THRUST	1,30
62	118174	R45 MOTOR DEFLECTOR	22,15
63	59950	PIN ASSEMBLY	9,45
64	118268	R45 KNIFE DISMOUNTING TOOL	15,75
65	118297	R45 BOTTOM MOTOR COVER	257,05
66	118142	R30 TILT ARM END COVER	5,65
67	59138	R30 TILT ARM	116,50
68	208582	R172 STAR WASHER N/A	6,65
69	118166	R30 HEX ADJUSTING NUT	14,40
70	117956	PLUG	14,90
71	118144	FRONT BEARING BUSH	2,45
72	118143	FRONT THRUST WASHER	2,45
73	59137	FRONT TILTING PIVOT ASSEMBLY	70,25
74	117941	R45 STAND	325,30
75	117958	STAND FOOT	21,80
76	59207	R45 LID WIPER ASSY	52,00
77	118227	LID WIPER NUT	3,80
78	118228	LID WIPER GUIDE	3,85
79	118222	R45 LID WIPER	18,45
80	118225	R45 LID SCRAPER	6,55

N°	M	Voltage	A	B	C	
53037	303064 1 755,25	400 / 50 / 3	117995 932,00	504272 Contact us	59160 15,70	
53067	303122 1 841,90	220 / 60 / 3	117997 1 029,35	101043 103,40	59167 20,15	
53068	303132 2 079,70	380 / 60 / 3	117995 932,00	504272 Contact us	59160 15,70	
53069	303111 2 079,70	230 / 50 / 3	117997 1 029,35	101043 103,40	59167 20,15	





- (A)** PLATINE R60 220/60
- (B)** PRIMARY FUSE 10A
- (C)** BREAK FUSE
- (D)** THERMAL RELAY
- (E)** (DA) Contactor, R30T
- (F)** (DA) Contactor, R30T
- (G)** (DA) Contactor, R30T
- (H)** (DA) Contactor, R30T
- (I)** (GA) Transformer, R23T\R30T\R45\
- (J)** TRANSFORMER
- (K)** BLX45/60 TIGHTENING PLATE
- (L)** 12V CONTROL CIRCUIT BOARD

INDEX	REF.	DESIGNATION	Pricelist in : EUR
1	503973	TRANSFORMER 48V	260,00
2	500537	PRIMARY FUSE 9/24V	3,00
3	503362	(DA) Contactor, R30T	66,75
4	504253	SECONDARY FUSE 9V	3,75
5	507121	SECONDARY FUSE 24 V	3,20
6	117980	R30 CONNECTION CARD	50,25
7	59145	Control Panel Assembly	194,10
8	117982	R30 PCB CONNECTION CABLE	18,50

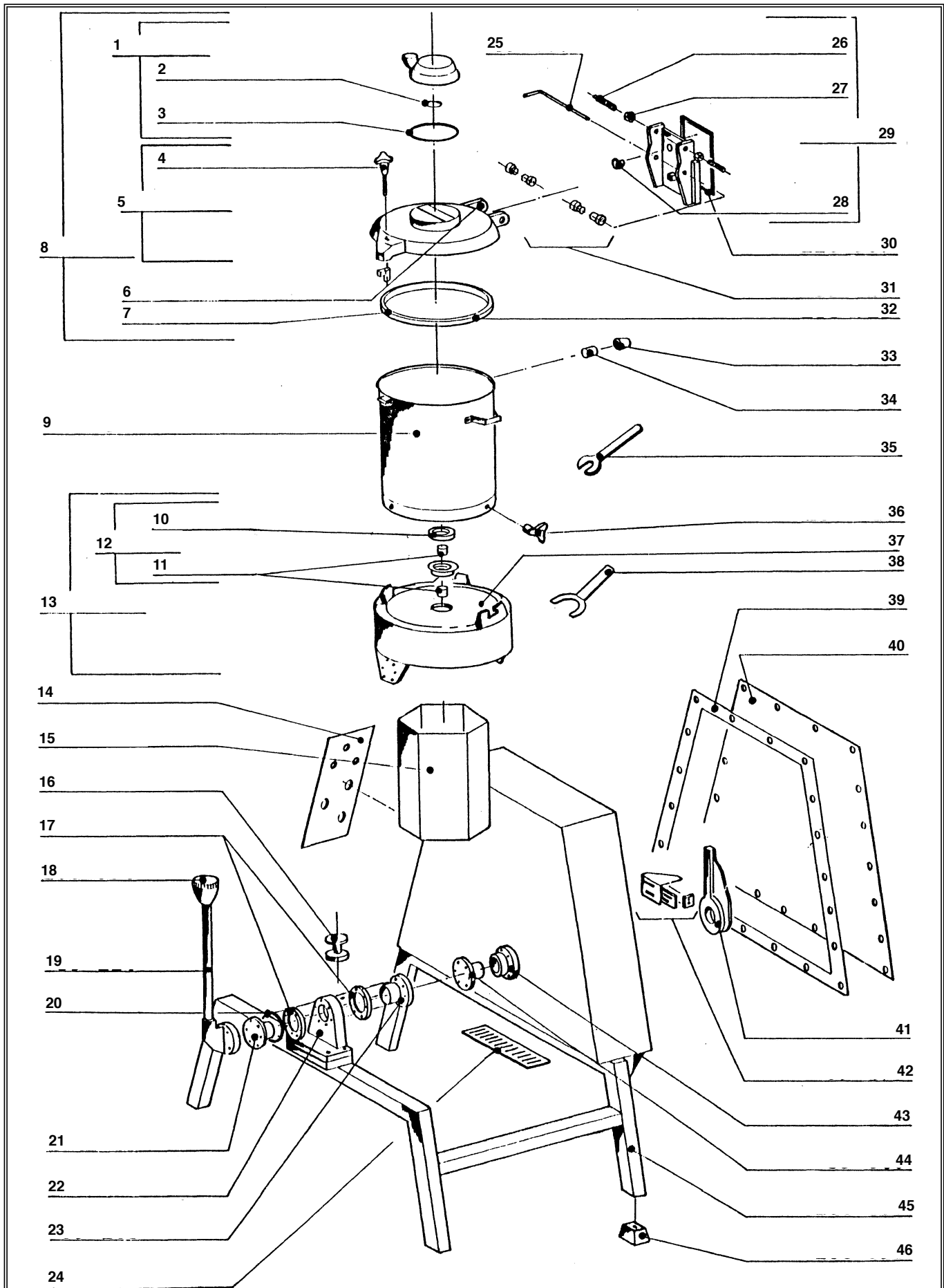


## R45 - 10000 W

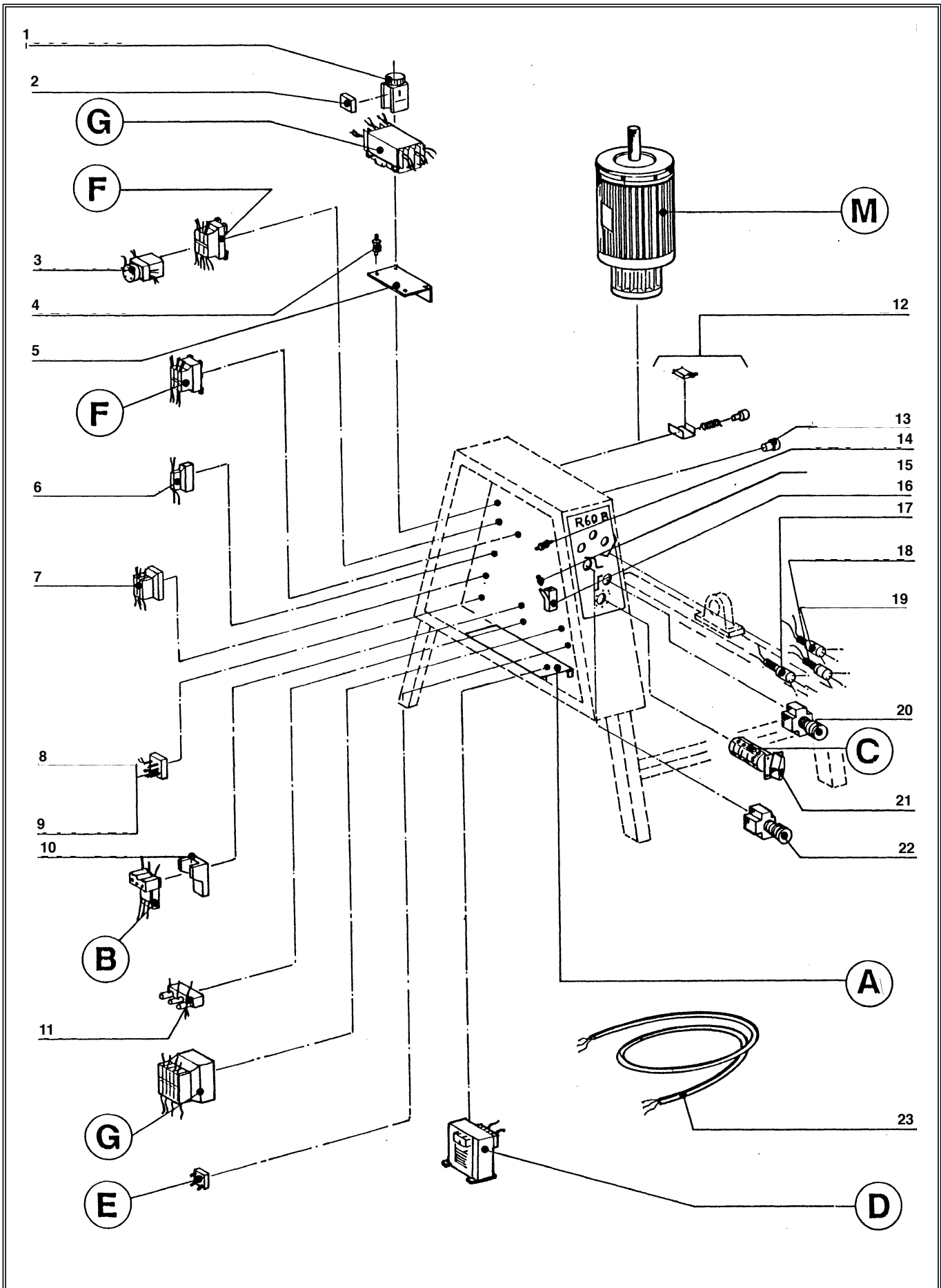
Pricelist in : EUR

N°	M	Voltage	A	B	C	D	E	F	G	
53037	303064 1 755,25	400 / 50 / 3	117995 932,00	504272 Contact us	59160 15,70	503376 51,55	503362 66,75	503362 66,75	503362 66,75	
53067	303122 1 841,90	220 / 60 / 3	117997 1 029,35	101043 103,40	59167 20,15	503961 67,90	503969 92,25	503969 92,25	503688 96,15	
53068	303132 2 079,70	380 / 60 / 3	117995 932,00	504272 Contact us	59160 15,70	503376 51,55	503362 66,75	503362 66,75	503362 66,75	
53069	303111 2 079,70	230 / 50 / 3	117997 1 029,35	101043 103,40	59167 20,15	503961 67,90	503969 92,25	503969 92,25	503688 96,15	

N°	M	Voltage	H	I	J	K	L	
53037	303064 1 755,25	400 / 50 / 3	503362 66,75	503972 71,15	511620 29,30	117999 79,20	117981 137,60	
53067	303122 1 841,90	220 / 60 / 3	503688 96,15	507200 87,80	511622 30,05	119218 79,15	119217 137,60	
53068	303132 2 079,70	380 / 60 / 3	503362 66,75	503972 71,15	511620 29,30	117999 79,20	117981 137,60	
53069	303111 2 079,70	230 / 50 / 3	503688 96,15	503972 71,15	511622 30,05	117999 79,20	117981 137,60	



INDEX	REF.	DESIGNATION	Pricelist in : EUR
1	29108	R10 LID COVER	41,05
2	502639	R10 LID CENTRE SEAL	1,85
3	514767	SEAL	28,55
4	100913	CLAMP KNOB	43,15
5	59631	R25B LID LOCK KNOB ASSEMBLY	94,75
6	59961	R60B LID SWITCH ACTUATOR	6,35
7	100974	R60B LID SEAL-20MM SQUARE	87,50
8	59042	R60B LID ASSEMBLY-SCREW FIX	1 166,25
9	59049	BOWL ASS (ROUND HEDGE)	1 368,10
10	505164	R60B BOWL SEAL	5,55
11	505219	R60B MOTOR SEAL 38X55X10	31,65
12	59118	SEALING SOCKET ASS	293,00
13	59060	R60B MOTOR SUPPORT	939,40
14	400187	CONTROL PANNEL PLATE	74,10
15	100234	MOTOR COVER	435,85
16	116787	BOWL THRUST	10,70
17	110418	R60B BRONZE COLLAR	64,95
18	100384	R60 TILT ARM KNOB	37,75
19	59114	R60B TILT ARM	270,00
20	101770	LOCKING NUT FLANGE	19,15
21	110495	R25B TILT ARM COLLAR	100,85
22	69124	R25B TILT ARM BRACKET	353,10
23	59103	TILTING FRONT AXE	178,15
24	101098	VENT COVER	3,55
25	59037	R25B HINGE PIN	17,15
26	505220	BALL DRIVER	20,55
27	206448	BALL DRIVER NUT	10,60
28	127710	R25B S.10 SWITCH SEAL	8,25
29	59041	R60B HINGE BRACKET	196,90
30	116567	R60B HINGE BRACKET SEAL	2,70
31	59021	SHOULDERED RING ASS	6,25
32	100715	LID SEAL 12 mm	51,40
33	127700	R25 S.10 BOWL MAGNET BLOCK	11,55
34	500526	R301 LID MAGNET-SQUARE	2,05
35	116688	R60B SPANNER	219,95
36	100914	R25B BOWL LOCK KNOB-METAL	41,05
37	101762	SPACER	939,30
38	101823	SOCKET KEY	50,00
39	100392	ACCESS FLAP DOOR SEAL	71,90
40	100233	ACCESS FLAP DOOR	399,95
41	116413	THRUST ARM	84,75
42	59170	NYLON THRUST BLOCK	44,20
43	69147	R60BA VERTICAL BEARING BLOCK	101,40
44	59040	TILTING BLOCK AXE	769,75
45	100235	FRAME	3 729,10
46	100395	FOOT	36,00



- (A)** TRANSFORMER SUPPORT
- (B)** THERMAL RELAY
- (C)** R60I ROTARY SWITCH
- (D)** R60I TRANSFORMER
- (E)** R25B RECTIFIER
- (F)** CONTACTOR
- (G)** R60BA CONTACTOR 40 AMP
- (M)** MOTOR

INDEX	REF.	DESIGNATION	Pricelist in : EUR
1	508860	R60BA TIMER DIAL	111,80
2	511533	ADDITIONAL CONTACT	20,15
3	508860	R60BA TIMER DIAL	111,80
4	510554	ABSORBER	10,90
5	100984	DISCONNECTOR SUPPORT	26,75
6	500976	TIMER DIAL	209,90
7	508850	CONTACTOR 9 AMP	59,10
8	504010	SWITCH GEAR	41,00
9	504823	SWITCH GEAR	41,00
10	500967	RELAY SUPPORT	33,80
11	508486	THERMINAL ELECTRIC	29,30
12	59010	R25B S.10 LID SWITCH ASSEMBLY	61,60
13	69817	R40B REED SWITCH ASSEMBLY	37,00
14	514778	R10 SHOCK ABSORBER	9,30
15	511643	FUSE	2,95
16	511632	FUSE SUPPORT	12,75
17	500496	R60B INDICATOR-RED	7,25
18	500495	ORANGE LAMP	7,25
19	500494	R60B INDICATOR-GREEN	7,25
20	500322	GREEN KNOB	32,90
21	500556	R10 ROTARY SWITCH HANDLE	14,80
22	500300	CL50 RED SWITCH ASSEMBLY	31,85
23	101043	POWER CORD	103,40



**robot coupe®**

**R60B 9/11 CV**

Pricelist in : EUR

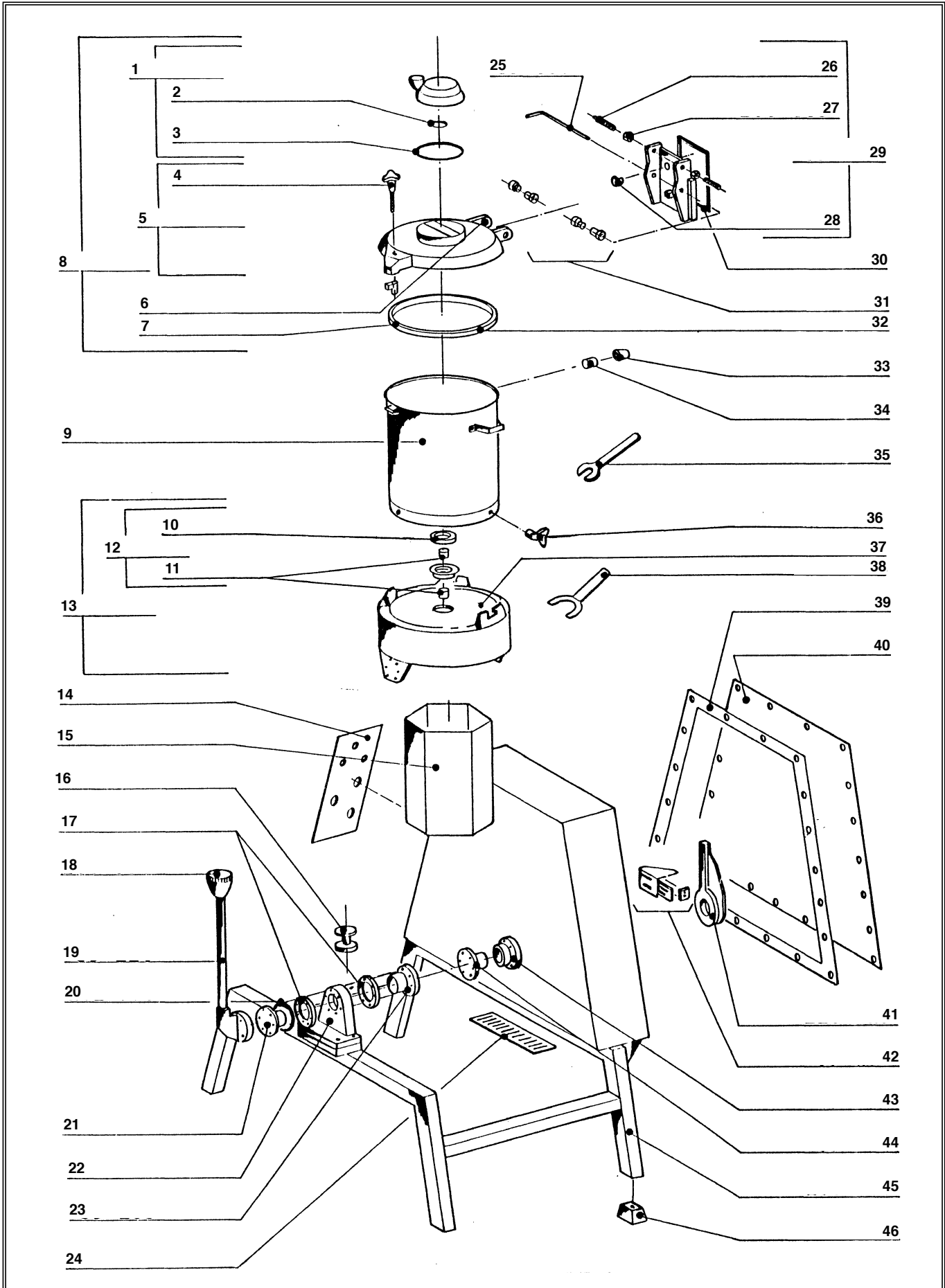
N°	M	Voltage	A	B	C	D	E	F	G	
54070	302654 2 801,45	220/380 / 50 / 3	100679 13,75	501029 249,15	500975 329,25	511665 255,15	511621 28,65	509223 62,40	511566 214,95	
54074	302676 2 900,45	220 / 60 / 3	100679 13,75	501029 249,15	501030 426,65	511665 255,15	511621 28,65	501605 37,75	511566 214,95	

**robot coupe®**

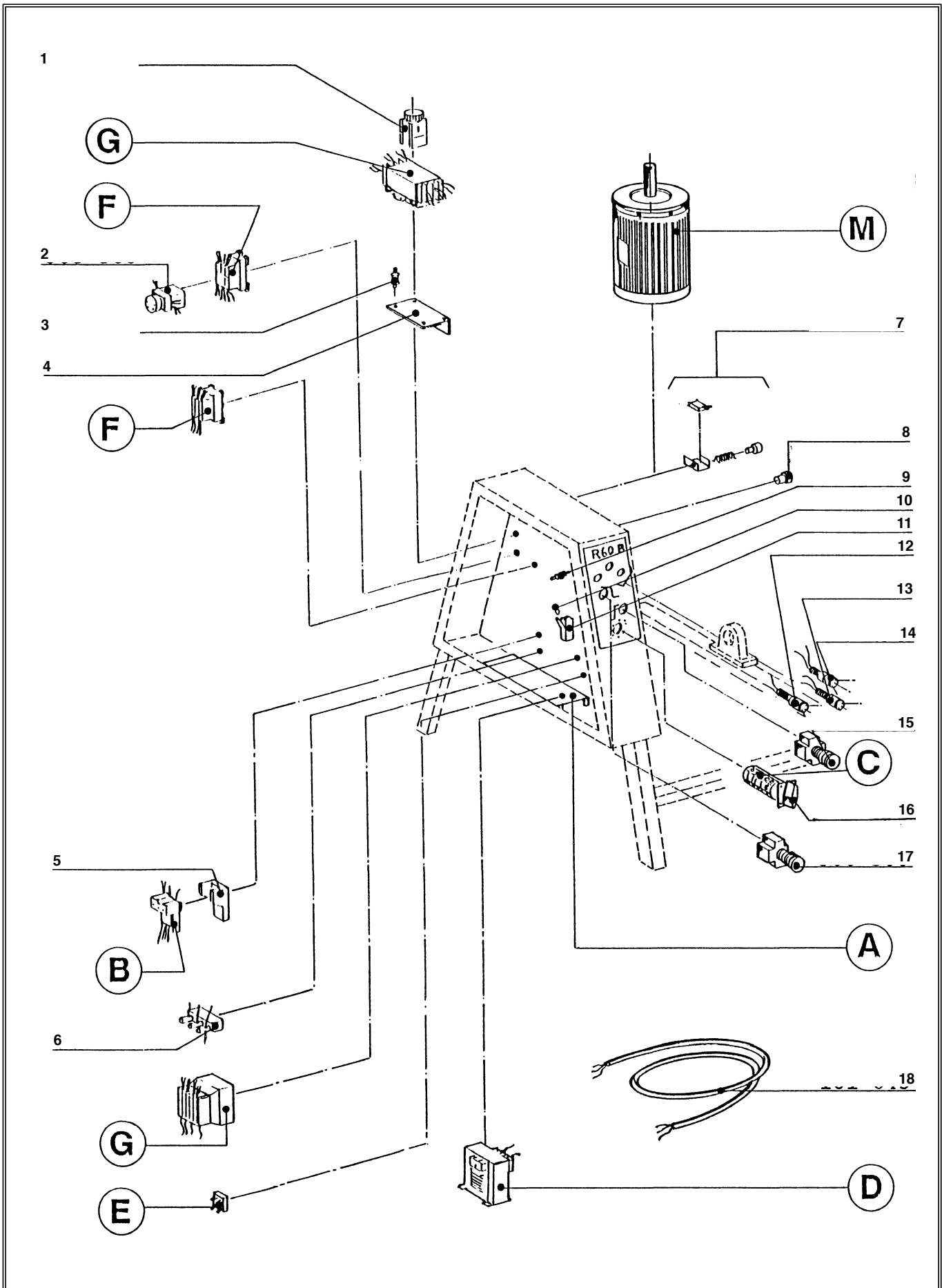
**R60B 9/11 CV**

**Pricelist in : EUR**

N°	M	Voltage	
54070	302654 2 801,45	220/380 / 50 / 3	
54074	302676 2 900,45	220 / 60 / 3	



INDEX	REF.	DESIGNATION	Pricelist in : EUR
1	29108	R10 LID COVER	41,05
2	502639	R10 LID CENTRE SEAL	1,85
3	514767	SEAL	28,55
4	100913	CLAMP KNOB	43,15
5	59631	R25B LID LOCK KNOB ASSEMBLY	94,75
6	59961	R60B LID SWITCH ACTUATOR	6,35
7	100974	R60B LID SEAL-20MM SQUARE	87,50
8	59042	R60B LID ASSEMBLY-SCREW FIX	1 166,25
9	59049	BOWL ASS (ROUND HEDGE)	1 368,10
10	505164	R60B BOWL SEAL	5,55
11	505219	R60B MOTOR SEAL 38X55X10	31,65
12	59118	SEALING SOCKET ASS	293,00
13	59060	R60B MOTOR SUPPORT	939,40
14	400187	CONTROL PANNEL PLATE	74,10
15	100234	MOTOR COVER	435,85
16	116787	BOWL THRUST	10,70
17	110418	R60B BRONZE COLLAR	64,95
18	100384	R60 TILT ARM KNOB	37,75
19	59114	R60B TILT ARM	270,00
20	101770	LOCKING NUT FLANGE	19,15
21	110495	R25B TILT ARM COLLAR	100,85
22	69124	R25B TILT ARM BRACKET	353,10
23	59103	TILTING FRONT AXE	178,15
24	101098	VENT COVER	3,55
25	59037	R25B HINGE PIN	17,15
26	505220	BALL DRIVER	20,55
27	206448	BALL DRIVER NUT	10,60
28	127710	R25B S.10 SWITCH SEAL	8,25
29	59041	R60B HINGE BRACKET	196,90
30	116567	R60B HINGE BRACKET SEAL	2,70
31	59021	SHOULDERED RING ASS	6,25
32	100715	LID SEAL 12 mm	51,40
33	127700	R25 S.10 BOWL MAGNET BLOCK	11,55
34	500526	R301 LID MAGNET-SQUARE	2,05
35	116688	R60B SPANNER	219,95
36	100914	R25B BOWL LOCK KNOB-METAL	41,05
37	101762	SPACER	939,30
38	101823	SOCKET KEY	50,00
39	100392	ACCESS FLAP DOOR SEAL	71,90
40	100233	ACCESS FLAP DOOR	399,95
41	116413	THRUST ARM	84,75
42	59170	NYLON THRUST BLOCK	44,20
43	69147	R60BA VERTICAL BEARING BLOCK	101,40
44	59040	TILTING BLOCK AXE	769,75
45	100235	FRAME	3 729,10
46	100395	FOOT	36,00



- (A)** TRANSFORMER SUPPORT
- (B)** THERMAL RELAY
- (C)** R60I ROTARY SWITCH
- (D)** R60I TRANSFORMER
- (E)** R25B RECTIFIER
- (F)** CONTACTOR
- (G)** CONTACTOR 40 A
- (M)** MOTOR

INDEX	REF.	DESIGNATION	Pricelist in : EUR
1	508860	R60BA TIMER DIAL	111,80
2	508860	R60BA TIMER DIAL	111,80
3	510554	ABSORBER	10,90
4	100984	DISCONNECTOR SUPPORT	26,75
5	500967	RELAY SUPPORT	33,80
6	508486	THERMINAL ELECTRIC	29,30
7	59010	R25B S.10 LID SWITCH ASSEMBLY	61,60
8	69817	R40B REED SWITCH ASSEMBLY	37,00
9	514778	R10 SHOCK ABSORBER	9,30
10	511643	FUSE	2,95
11	511632	FUSE SUPPORT	12,75
12	500496	R60B INDICATOR-RED	7,25
13	500495	ORANGE LAMP	7,25
14	500494	R60B INDICATOR-GREEN	7,25
15	500322	GREEN KNOB	32,90
16	500556	R10 ROTARY SWITCH HANDLE	14,80
17	500300	CL50 RED SWITCH ASSEMBLY	31,85
18	101043	POWER CORD	103,40

**robot coupe®**

**R60B 9/13 CV**

Pricelist in : EUR

N°	M	Voltage	A	B	C	D	E	F	G	
54071	302040 3 732,65	380 / 50 / 3	100679 13,75	501029 249,15	501030 426,65	511687 241,80	511621 28,65	509223 62,40	511566 214,95	
54075	302001 3 732,65	220 / 60 / 3	100678 17,15	501029 249,15	501032 426,50	502210 379,35	502209 107,65	501605 37,75	501623 136,75	

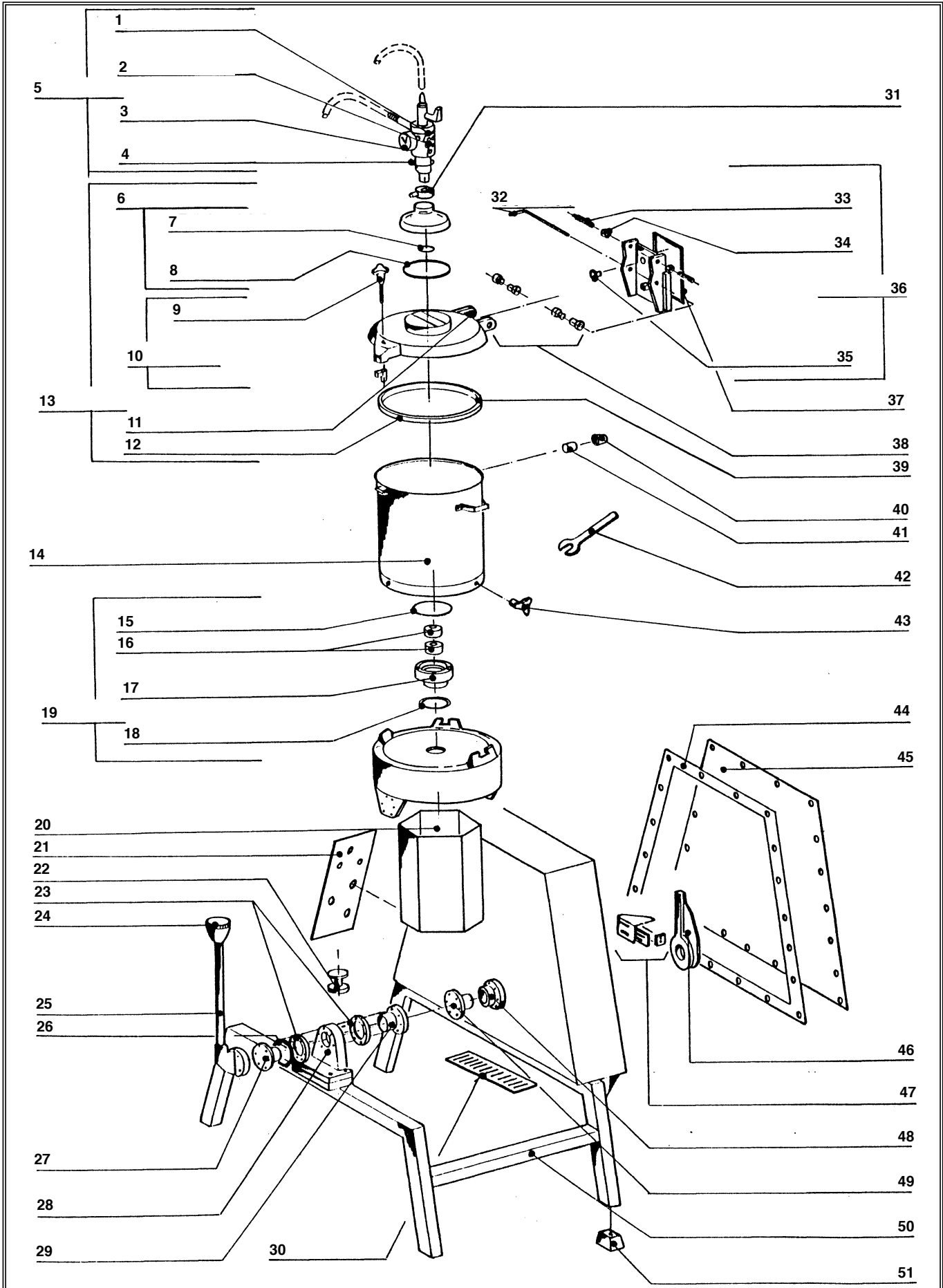
**robot coupe®**

**R60B 9/13 CV**

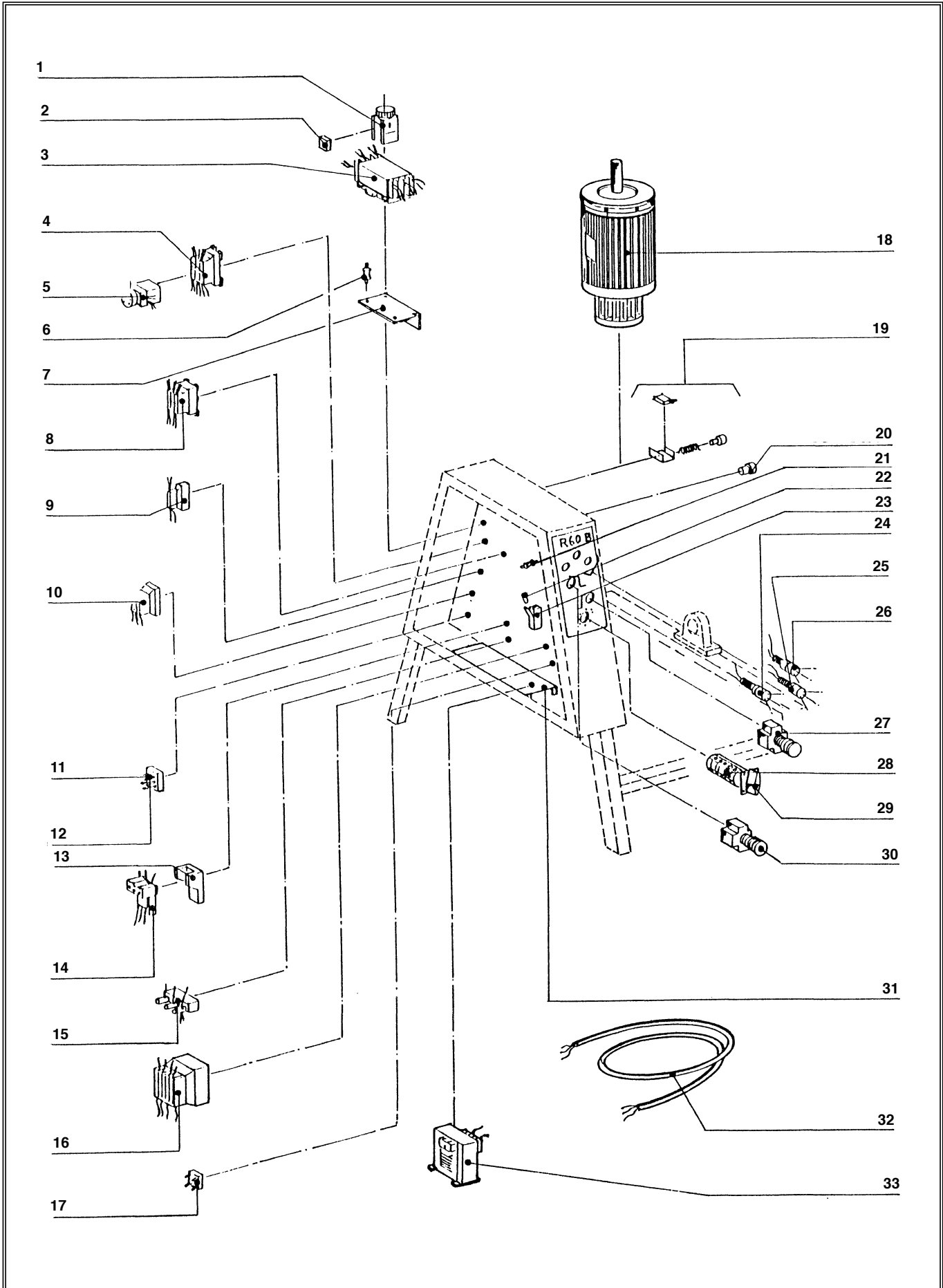
**Pricelist in : EUR**

N°	M	Voltage	
54071	302040 3 732,65	380 / 50 / 3	
54075	302001 3 732,65	220 / 60 / 3	

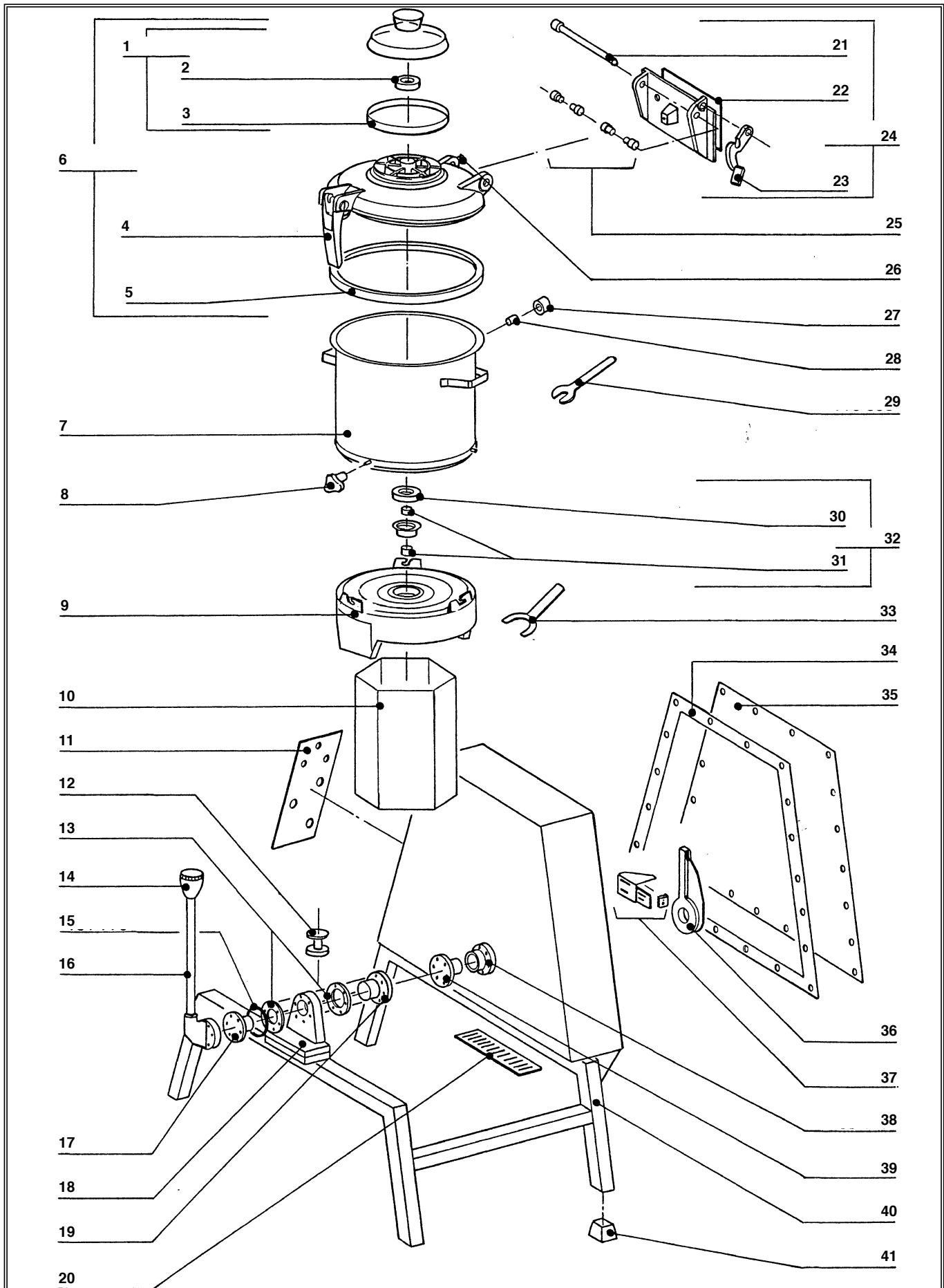




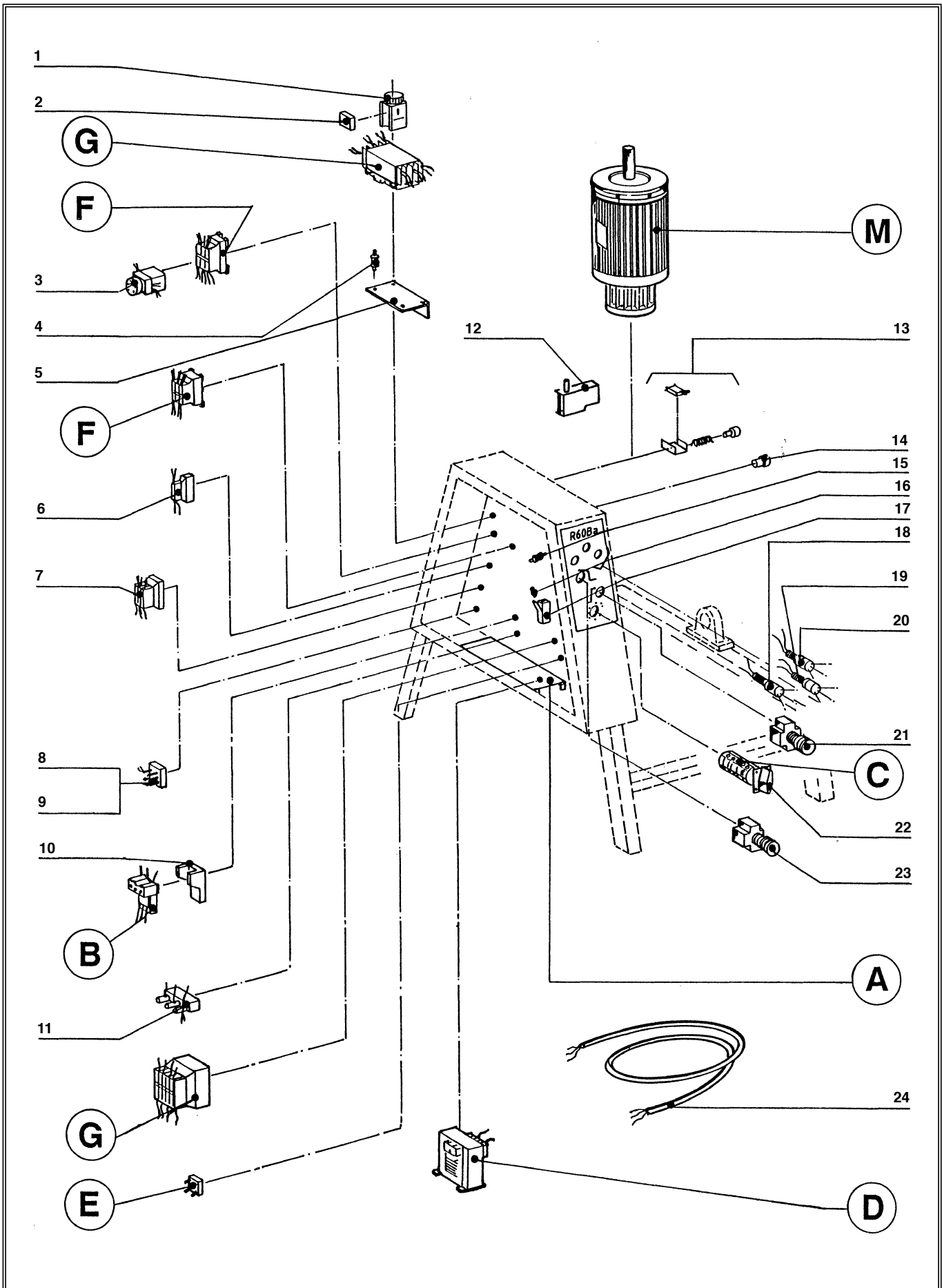
INDEX	REF.	DESIGNATION	Pricelist in : EUR
1	500546	VACUM SEAL	2,40
2	500547	FILTRE	93,25
3	500548	MANOMETER	180,80
4	500545	VACUM SEAL	1,80
5	29076	VCM VACUUM KIT	See Price list
6	29108	R10 LID COVER	41,05
7	502639	R10 LID CENTRE SEAL	1,85
8	500907	R10 LID COVER SEAL	7,55
9	100913	CLAMP KNOB	43,15
10	59631	R25B LID LOCK KNOB ASSEMBLY	94,75
11	59961	R60B LID SWITCH ACTUATOR	6,35
12	100974	R60B LID SEAL-20MM SQUARE	87,50
13	59042	R60B LID ASSEMBLY-SCREW FIX	1 166,25
14	100815	CUTTER BOWL ASS	1 684,30
15	502681	SEAL	12,85
16	505219	R60B MOTOR SEAL 38X55X10	31,65
17	100812	SEALING SOCKET	139,15
18	502682	SEAL	10,55
19	59043	SPACER ASS	2 352,65
20	100234	MOTOR COVER	435,85
21	400187	CONTROL PANNEL PLATE	74,10
22	116787	BOWL THRUST	10,70
23	110418	R60B BRONZE COLLAR	64,95
24	100384	R60 TILT ARM KNOB	37,75
25	59114	R60B TILT ARM	270,00
26	101770	LOCKING NUT FLANGE	19,15
27	110495	R25B TILT ARM COLLAR	100,85
28	69124	R25B TILT ARM BRACKET	353,10
29	59103	TILTING FRONT AXE	178,15
30	101098	VENT COVER	3,55
31	29174	ADAPTATOR NUT	107,45
32	59037	R25B HINGE PIN	17,15
33	505220	BALL DRIVER	20,55
34	206448	BALL DRIVER NUT	10,60
35	127710	R25B S.10 SWITCH SEAL	8,25
36	49041	E400 ABRASIVE	299,60
37	116567	R60B HINGE BRACKET SEAL	2,70
38	59021	SHOULDERED RING ASS	6,25
39	100715	LID SEAL 12 mm	51,40
40	127700	R25 S.10 BOWL MAGNET BLOCK	11,55
41	500526	R301 LID MAGNET-SQUARE	2,05
42	116688	R60B SPANNER	219,95
43	100914	R25B BOWL LOCK KNOB-METAL	41,05
44	100392	ACCESS FLAP DOOR SEAL	71,90
45	100233	ACCESS FLAP DOOR	399,95
46	116413	THRUST ARM	84,75
47	59170	NYLON THRUST BLOCK	44,20
48	69147	R60BA VERTICAL BEARING BLOCK	101,40
49	59040	TILTING BLOCK AXE	769,75
50	100235	FRAME	3 729,10
51	100395	FOOT	36,00



INDEX	REF.	DESIGNATION	Pricelist in : EUR
1	508860	R60BA TIMER DIAL	111,80
2	511533	ADDITIONAL CONTACT	20,15
3	511566	R60BA CONTACTOR 40 AMP	214,95
4	509223	R60BA CONTACTOR 48V CA2 DN22E7	62,40
5	508860	R60BA TIMER DIAL	111,80
6	510554	ABSORBER	10,90
7	100984	DISCONNECTOR SUPPORT	26,75
8	509223	R60BA CONTACTOR 48V CA2 DN22E7	62,40
9	500976	TIMER DIAL	209,90
10	508850	CONTACTOR 9 AMP	59,10
11	504010	SWITCH GEAR	41,00
12	504823	SWITCH GEAR	41,00
13	500967	RELAY SUPPORT	33,80
14	501029	THERMAL RELAY	249,15
15	508486	THERMINAL ELECTRIC	29,30
16	511566	R60BA CONTACTOR 40 AMP	214,95
17	511621	R25B RECTIFIER	28,65
18	302654	MOTOR	2 801,45
19	59010	R25B S.10 LID SWITCH ASSEMBLY	61,60
20	69817	R40B REED SWITCH ASSEMBLY	37,00
21	514778	R10 SHOCK ABSORBER	9,30
22	511643	FUSE	2,95
23	511632	FUSE SUPPORT	12,75
24	500496	R60B INDICATOR-RED	7,25
25	500495	ORANGE LAMP	7,25
26	500494	R60B INDICATOR-GREEN	7,25
27	500322	GREEN KNOB	32,90
28	500975	ROTARY SWITCH	329,25
29	500556	R10 ROTARY SWITCH HANDLE	14,80
30	500300	CL50 RED SWITCH ASSEMBLY	31,85
31	100679	TRANSFORMER SUPPORT	13,75
32	101043	POWER CORD	103,40
33	59068	TRANSFORMER	260,48



INDEX	REF.	DESIGNATION	Pricelist in : EUR
1	29108	R10 LID COVER	41,05
2	502639	R10 LID CENTRE SEAL	1,85
3	500907	R10 LID COVER SEAL	7,55
4	59099	R25BA LID LATCH ASSEMBLY	97,70
5	100974	R60B LID SEAL-20MM SQUARE	87,50
6	59113	R60BA LID ASSEMBLY	1 166,10
7	59115	R60BA S/S BOWL	1 368,10
8	100914	R25B BOWL LOCK KNOB-METAL	41,05
9	101762	SPACER	939,30
10	100234	MOTOR COVER	435,85
11	400187	CONTROL PANNEL PLATE	74,10
12	116787	BOWL THRUST	10,70
13	110418	R60B BRONZE COLLAR	64,95
14	100384	R60 TILT ARM KNOB	37,75
15	101770	LOCKING NUT FLANGE	19,15
16	59114	R60B TILT ARM	270,00
17	110495	R25B TILT ARM COLLAR	100,85
18	69124	R25B TILT ARM BRACKET	353,10
19	59103	TILTING FRONT AXE	178,15
20	101098	VENT COVER	3,55
21	59098	HINGE PIN ASS	31,70
22	116567	R60B HINGE BRACKET SEAL	2,70
23	59117	CLIP ASS	209,75
24	59116	R60BA LID HINGE ASSEMBLY	196,90
25	59021	SHOULDERED RING ASS	6,25
26	59961	R60B LID SWITCH ACTUATOR	6,35
27	101990	R25A/R40A MAGNET CAP	10,15
28	501000	R8 MAGNET	0,65
29	116688	R60B SPANNER	219,95
30	505164	R60B BOWL SEAL	5,55
31	505219	R60B MOTOR SEAL 38X55X10	31,65
32	59118	SEALING SOCKET ASS	293,00
33	101823	SOCKET KEY	50,00
34	100392	ACCESS FLAP DOOR SEAL	71,90
35	100233	ACCESS FLAP DOOR	399,95
36	116413	THRUST ARM	84,75
37	59170	NYLON THRUST BLOCK	44,20
38	69147	R60BA VERTICAL BEARING BLOCK	101,40
39	59040	TILTING BLOCK AXE	769,75
40	100235	FRAME	3 729,10
41	100395	FOOT	36,00



- (A)** TRANSFORMER SUPPORT
- (B)** THERMAL RELAY
- (C)** R60I ROTARY SWITCH
- (D)** R60I TRANSFORMER
- (E)** R25B RECTIFIER
- (F)** CONTACTOR
- (G)** CONTACTOR 40 A
- (M)** MOTOR

INDEX	REF.	DESIGNATION	Pricelist in : EUR
1	508860	R60BA TIMER DIAL	111,80
2	511533	ADDITIONAL CONTACT	20,15
3	508860	R60BA TIMER DIAL	111,80
4	510554	ABSORBER	10,90
5	100984	DISCONNECTOR SUPPORT	26,75
6	500976	TIMER DIAL	209,90
7	508850	CONTACTOR 9 AMP	59,10
8	504010	SWITCH GEAR	41,00
9	504823	SWITCH GEAR	41,00
10	500967	RELAY SUPPORT	33,80
11	508486	THERMINAL ELECTRIC	29,30
12	29262	R10a SAFTEY SWITCH ASSEMBLY	62,65
13	59010	R25B S.10 LID SWITCH ASSEMBLY	61,60
14	69817	R40B REED SWITCH ASSEMBLY	37,00
15	514778	R10 SHOCK ABSORBER	9,30
16	511643	FUSE	2,95
17	511632	FUSE SUPPORT	12,75
18	500496	R60B INDICATOR-RED	7,25
19	500495	ORANGE LAMP	7,25
20	500494	R60B INDICATOR-GREEN	7,25
21	500322	GREEN KNOB	32,90
22	500556	R10 ROTARY SWITCH HANDLE	14,80
23	500321	RED KNOB	32,90
24	101043	POWER CORD	103,40



**robot coupe®**

**R60B "A" 9/11 CV**

Pricelist in : EUR

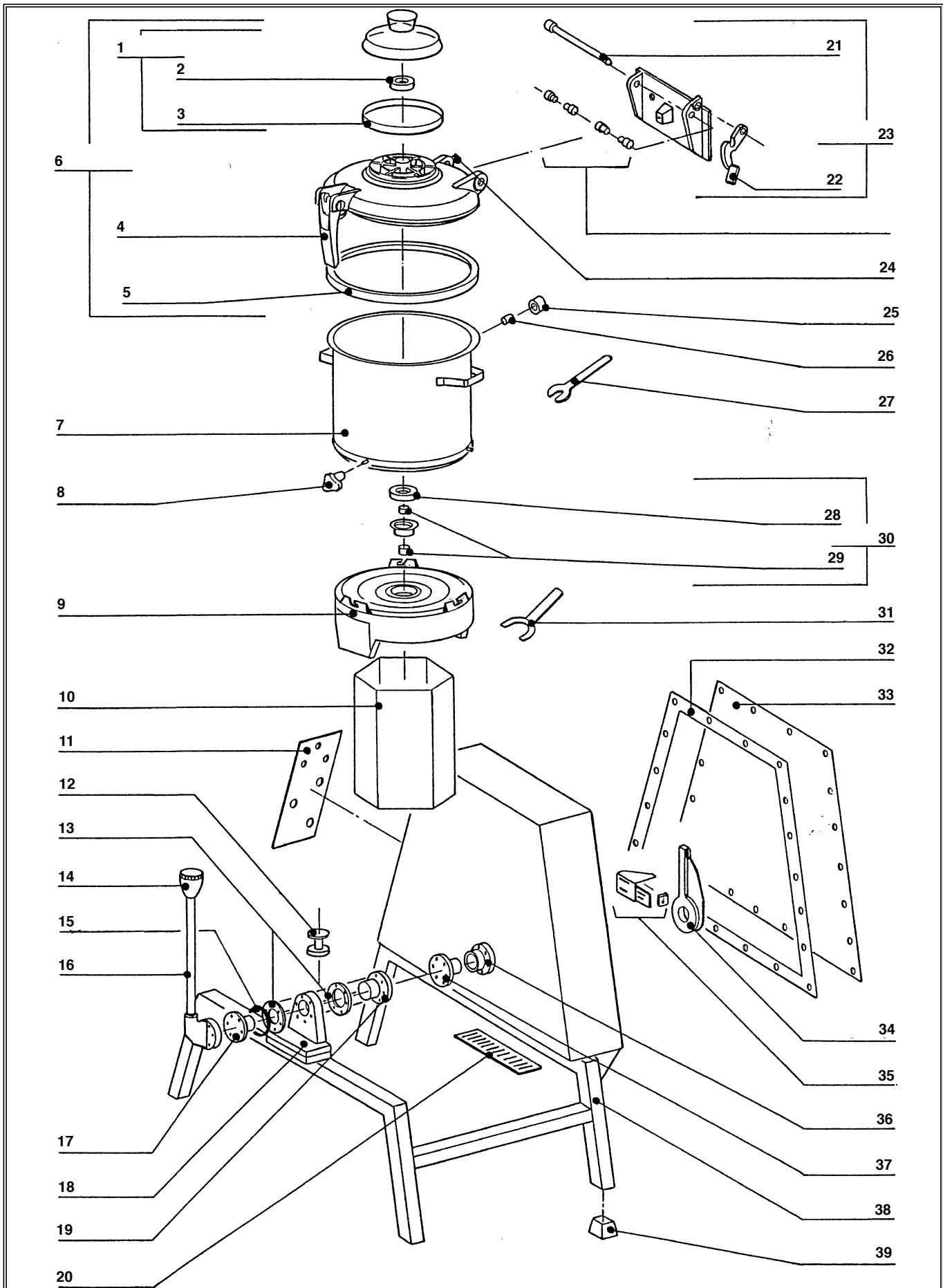
N°	M	Voltage	A	B	C	D	E	F	G	
54024	302654 2 801,45	220/380 / 50 / 3	100679 13,75	501029 249,15	500975 329,25	511665 255,15	511621 28,65	509223 62,40	511566 214,95	
54025	302676 2 900,45	220 / 60 / 3	100679 13,75	501029 249,15	501030 426,65	511665 255,15	511621 28,65	501605 37,75	501623 136,75	

**robot coupe®**

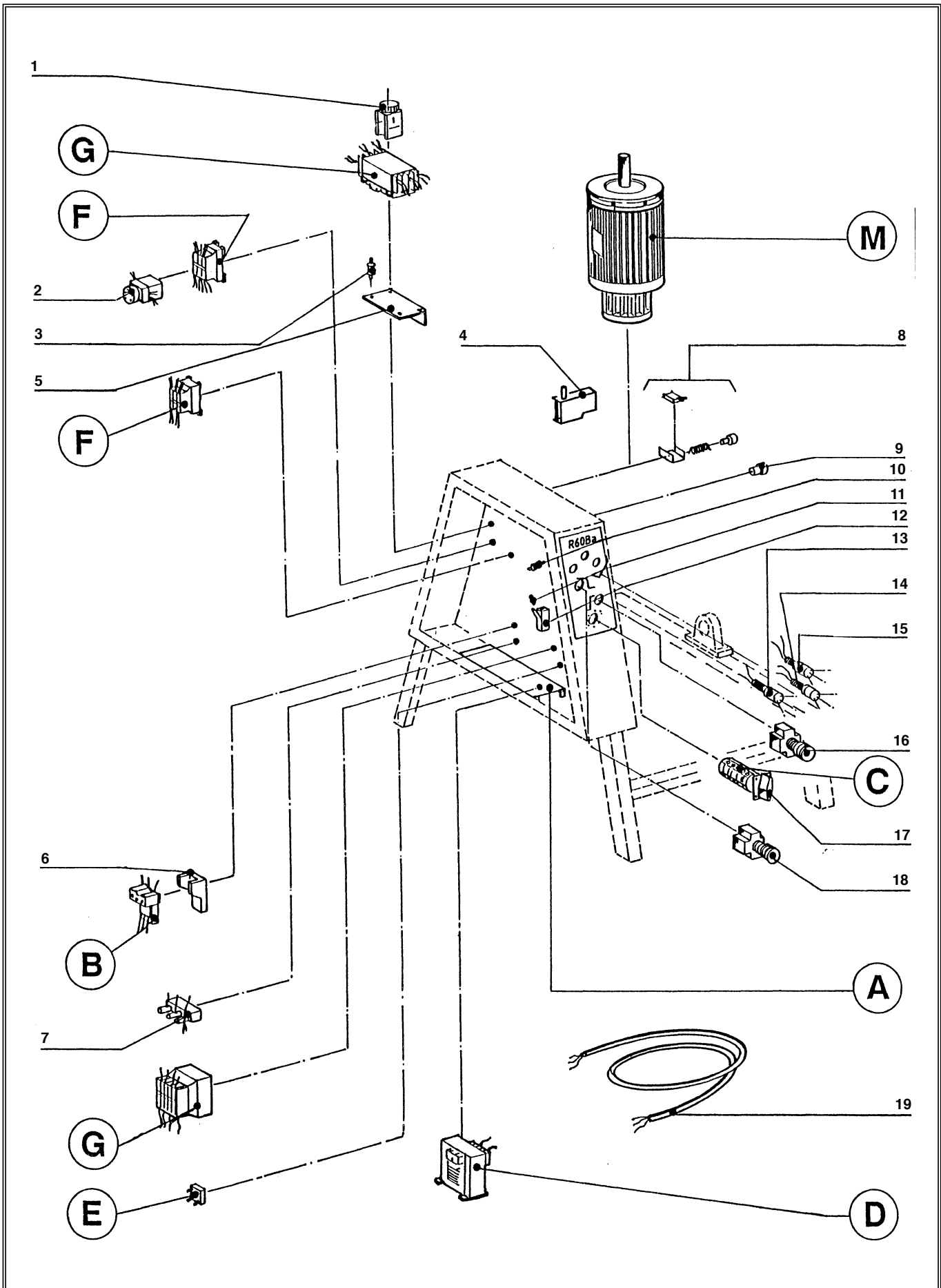
**R60B "A" 9/11 CV**

**Pricelist in : EUR**

N°	M	Voltage	
54024	302654 2 801,45	220/380 / 50 / 3	
54025	302676 2 900,45	220 / 60 / 3	



INDEX	REF.	DESIGNATION	Pricelist in : EUR
1	29108	R10 LID COVER	41,05
2	502639	R10 LID CENTRE SEAL	1,85
3	500907	R10 LID COVER SEAL	7,55
4	59099	R25BA LID LATCH ASSEMBLY	97,70
5	100974	R60B LID SEAL-20MM SQUARE	87,50
6	59113	R60BA LID ASSEMBLY	1 166,10
7	59115	R60BA S/S BOWL	1 368,10
8	100914	R25B BOWL LOCK KNOB-METAL	41,05
9	101762	SPACER	939,30
10	100234	MOTOR COVER	435,85
11	400187	CONTROL PANNEL PLATE	74,10
12	116787	BOWL THRUST	10,70
13	110418	R60B BRONZE COLLAR	64,95
14	100384	R60 TILT ARM KNOB	37,75
15	101770	LOCKING NUT FLANGE	19,15
16	59114	R60B TILT ARM	270,00
17	110495	R25B TILT ARM COLLAR	100,85
18	69124	R25B TILT ARM BRACKET	353,10
19	59103	TILTING FRONT AXE	178,15
20	101098	VENT COVER	3,55
21	59098	HINGE PIN ASS	31,70
22	59117	CLIP ASS	209,75
23	59116	R60BA LID HINGE ASSEMBLY	196,90
24	59961	R60B LID SWITCH ACTUATOR	6,35
25	101990	R25A/R40A MAGNET CAP	10,15
26	501000	R8 MAGNET	0,65
27	116688	R60B SPANNER	219,95
28	505164	R60B BOWL SEAL	5,55
29	505219	R60B MOTOR SEAL 38X55X10	31,65
30	59118	SEALING SOCKET ASS	293,00
31	101823	SOCKET KEY	50,00
32	100392	ACCESS FLAP DOOR SEAL	71,90
33	100233	ACCESS FLAP DOOR	399,95
34	116413	THRUST ARM	84,75
35	59170	NYLON THRUST BLOCK	44,20
36	69147	R60BA VERTICAL BEARING BLOCK	101,40
37	59040	TILTING BLOCK AXE	769,75
38	100235	FRAME	3 729,10
39	100395	FOOT	36,00



- (A)** TRANSFORMER SUPPORT
- (B)** THERMAL RELAY
- (C)** R60I ROTARY SWITCH
- (D)** R60I TRANSFORMER
- (E)** R25B RECTIFIER
- (F)** CONTACTOR
- (G)** CONTACTOR 40 A
- (M)** MOTOR

INDEX	REF.	DESIGNATION	Pricelist in : EUR
1	508860	R60BA TIMER DIAL	111,80
2	508860	R60BA TIMER DIAL	111,80
3	510554	ABSORBER	10,90
4	29262	R10a SAFTEY SWITCH ASSEMBLY	62,65
5	100984	DISCONNECTOR SUPPORT	26,75
6	500967	RELAY SUPPORT	33,80
7	508486	THERMINAL ELECTRIC	29,30
8	59010	R25B S.10 LID SWITCH ASSEMBLY	61,60
9	69817	R40B REED SWITCH ASSEMBLY	37,00
10	514778	R10 SHOCK ABSORBER	9,30
11	511643	FUSE	2,95
12	511632	FUSE SUPPORT	12,75
13	500496	R60B INDICATOR-RED	7,25
14	500495	ORANGE LAMP	7,25
15	500494	R60B INDICATOR-GREEN	7,25
16	500322	GREEN KNOB	32,90
17	500556	R10 ROTARY SWITCH HANDLE	14,80
18	500321	RED KNOB	32,90
19	101043	POWER CORD	103,40

**robot coupe®**

**R60B "A" 9/13 CV**

Pricelist in : EUR

N°	M	Voltage	A	B	C	D	E	F	G	
54028	302040 3 732,65	380 / 50 / 3	100679 13,75	501029 249,15	501030 426,65	511687 241,80	511621 28,65	509223 62,40	511566 214,95	
54029	302001 3 732,65	220 / 60 / 3	100679 13,75	500974 171,80	501032 426,50	502210 379,35	511621 28,65	501605 37,75	501623 136,75	

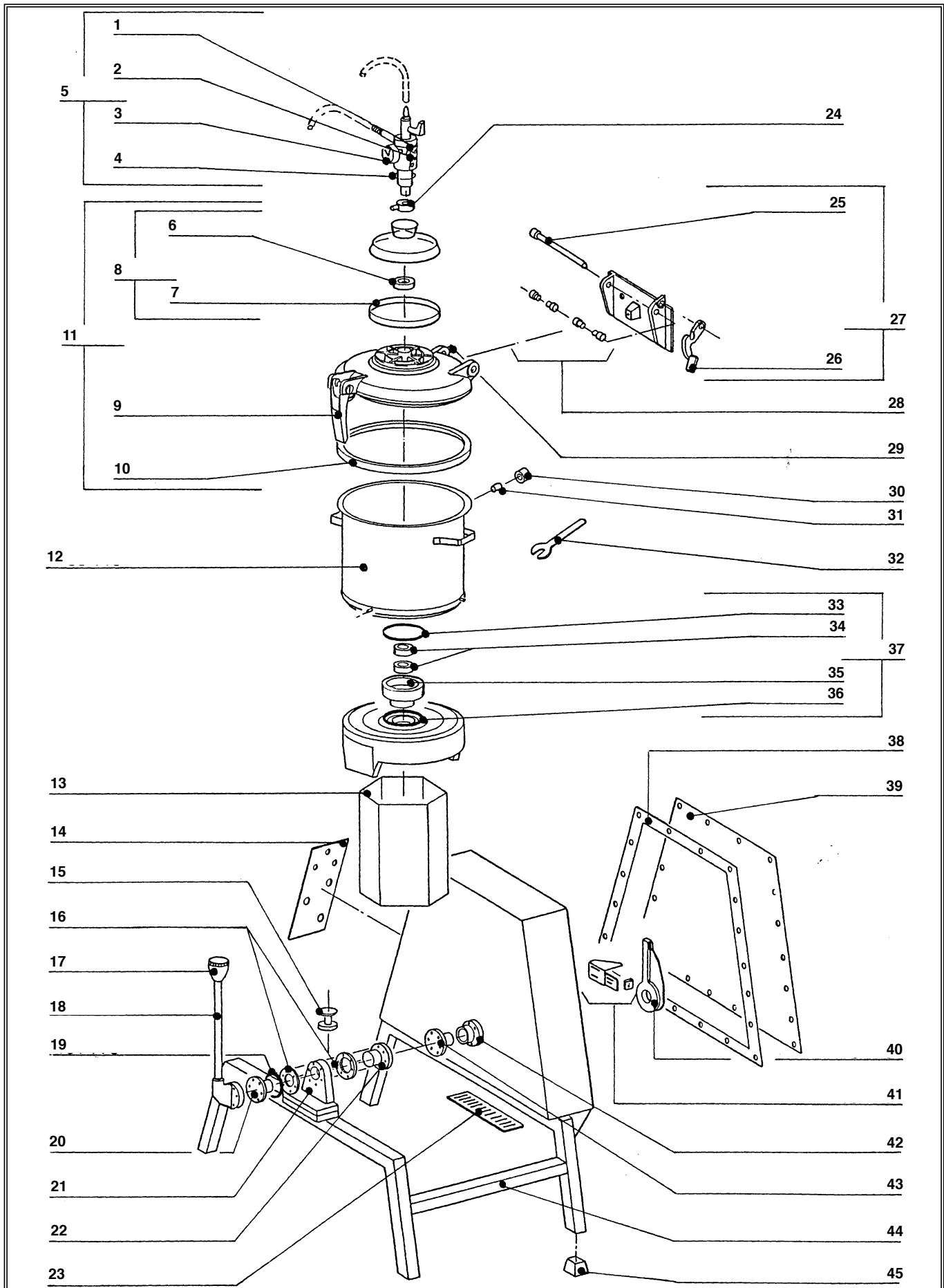
**robot coupe®**

**R60B "A" 9/13 CV**

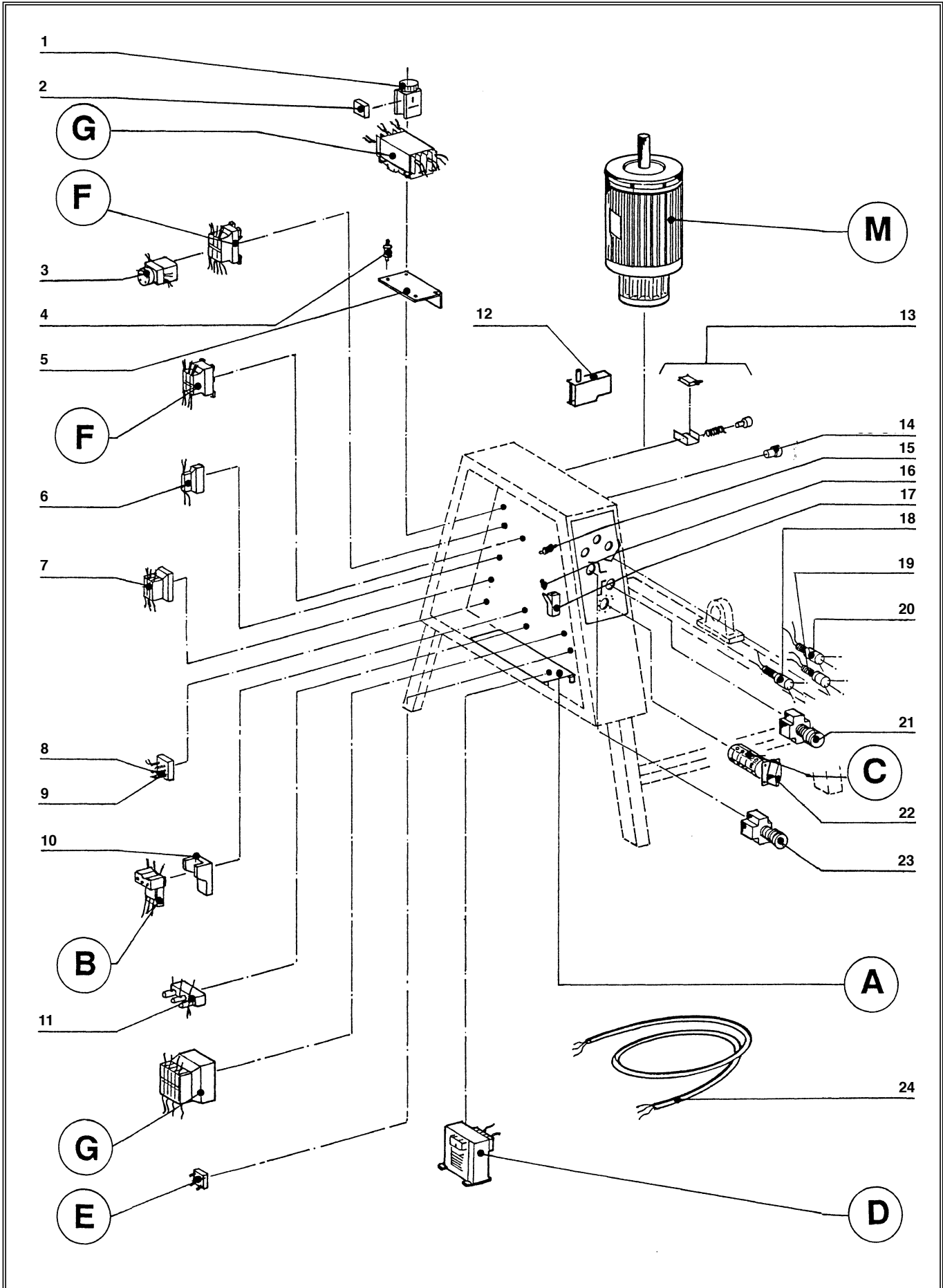
**Pricelist in : EUR**

N°	M	Voltage	
54028	302040 3 732,65	380 / 50 / 3	
54029	302001 3 732,65	220 / 60 / 3	





INDEX	REF.	DESIGNATION	Pricelist in : EUR
1	500546	VACUM SEAL	2,40
2	500547	FILTRE	93,25
3	500548	MANOMETER	180,80
4	500545	VACUM SEAL	1,80
5	29076	VCM VACUUM KIT	See Price list
6	502639	R10 LID CENTRE SEAL	1,85
7	500907	R10 LID COVER SEAL	7,55
8	29108	R10 LID COVER	41,05
9	59099	R25BA LID LATCH ASSEMBLY	97,70
10	100974	R60B LID SEAL-20MM SQUARE	87,50
11	59113	R60BA LID ASSEMBLY	1 166,10
12	59119	BOWL ASS (FAT HEDGE)	1 684,10
13	100234	MOTOR COVER	435,85
14	400187	CONTROL PANNEL PLATE	74,10
15	116787	BOWL THRUST	10,70
16	110418	R60B BRONZE COLLAR	64,95
17	100384	R60 TILT ARM KNOB	37,75
18	59114	R60B TILT ARM	270,00
19	101770	LOCKING NUT FLANGE	19,15
20	110495	R25B TILT ARM COLLAR	100,85
21	69124	R25B TILT ARM BRACKET	353,10
22	59103	TILTING FRONT AXE	178,15
23	101098	VENT COVER	3,55
24	29174	ADAPTATOR NUT	107,45
25	59098	HINGE PIN ASS	31,70
26	59117	CLIP ASS	209,75
27	59116	R60BA LID HINGE ASSEMBLY	196,90
28	59021	SHOULDERED RING ASS	6,25
29	59961	R60B LID SWITCH ACTUATOR	6,35
30	101990	R25A/R40A MAGNET CAP	10,15
31	501000	R8 MAGNET	0,65
32	116688	R60B SPANNER	219,95
33	502681	SEAL	12,85
34	505219	R60B MOTOR SEAL 38X55X10	31,65
35	100812	SEALING SOCKET	139,15
36	502682	SEAL	10,55
37	59043	SPACER ASS	2 352,65
38	100392	ACCESS FLAP DOOR SEAL	71,90
39	100233	ACCESS FLAP DOOR	399,95
40	116413	THRUST ARM	84,75
41	59170	NYLON THRUST BLOCK	44,20
42	69147	R60BA VERTICAL BEARING BLOCK	101,40
43	59040	TILTING BLOCK AXE	769,75
44	100235	FRAME	3 729,10
45	100395	FOOT	36,00



- (A)** TRANSFORMER SUPPORT
- (B)** THERMAL RELAY
- (C)** R60I ROTARY SWITCH
- (D)** R60I TRANSFORMER
- (E)** R25B RECTIFIER
- (F)** CONTACTOR
- (G)** CONTACTOR 40 A
- (M)** MOTOR

INDEX	REF.	DESIGNATION	Pricelist in : EUR
1	508860	R60BA TIMER DIAL	111,80
2	511533	ADDITIONAL CONTACT	20,15
3	508860	R60BA TIMER DIAL	111,80
4	510554	ABSORBER	10,90
5	100984	DISCONNECTOR SUPPORT	26,75
6	500976	TIMER DIAL	209,90
7	508850	CONTACTOR 9 AMP	59,10
8	504010	SWITCH GEAR	41,00
9	504823	SWITCH GEAR	41,00
10	500967	RELAY SUPPORT	33,80
11	508486	THERMINAL ELECTRIC	29,30
12	29262	R10a SAFTEY SWITCH ASSEMBLY	62,65
13	59010	R25B S.10 LID SWITCH ASSEMBLY	61,60
14	69817	R40B REED SWITCH ASSEMBLY	37,00
15	514778	R10 SHOCK ABSORBER	9,30
16	511643	FUSE	2,95
17	511632	FUSE SUPPORT	12,75
18	500496	R60B INDICATOR-RED	7,25
19	500495	ORANGE LAMP	7,25
20	500494	R60B INDICATOR-GREEN	7,25
21	500322	GREEN KNOB	32,90
22	500556	R10 ROTARY SWITCH HANDLE	14,80
23	500321	RED KNOB	32,90
24	101043	POWER CORD	103,40

**robot coupe®**

**R60B "A" Sous-Vide**

**Pricelist in : EUR**

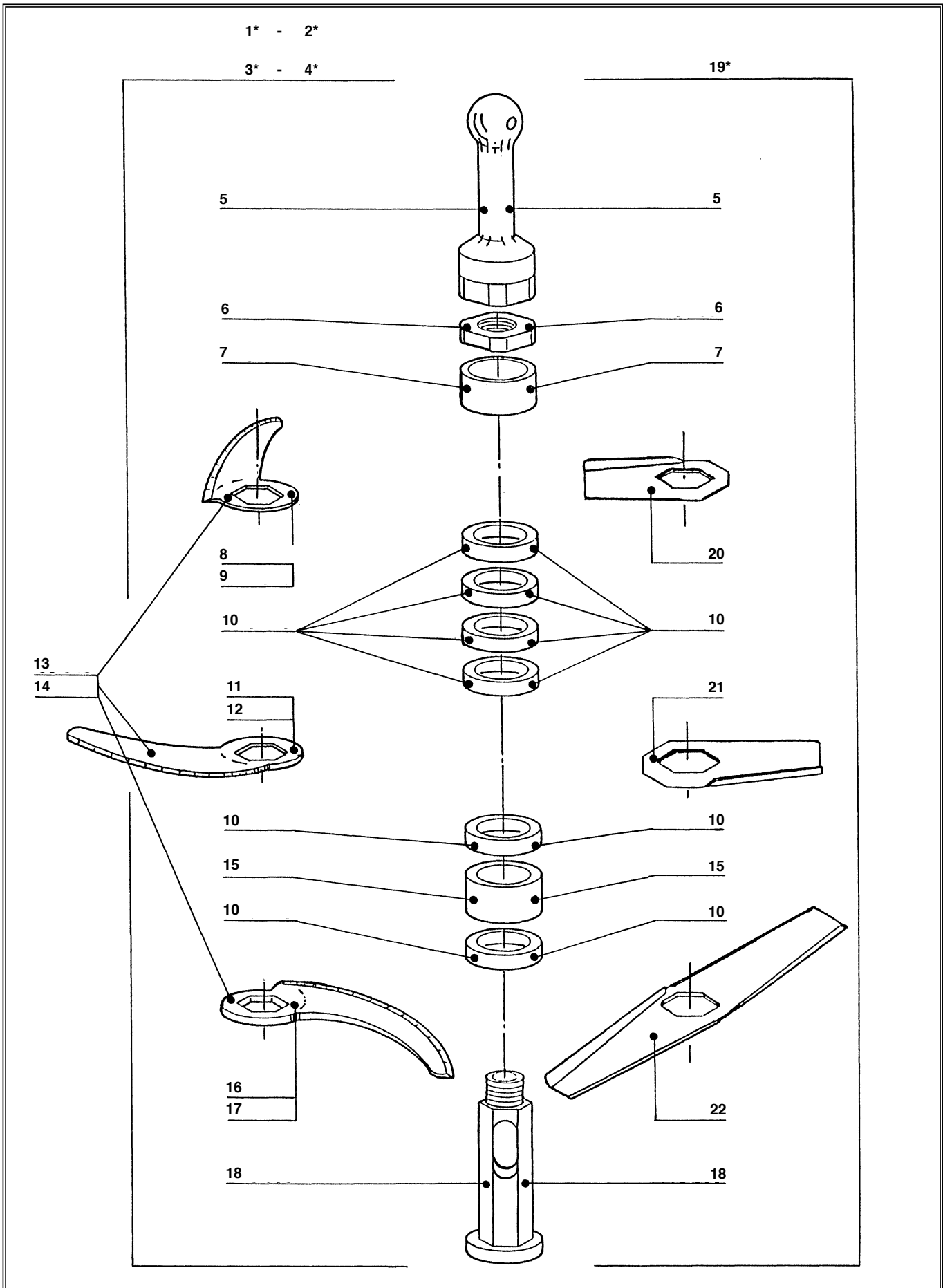
N°	M	Voltage	A	B	C	D	E	F	G	
54034	302654 2 801,45	220/380 / 50 / 3	100679 13,75	501029 249,15	500975 329,25	511665 255,15	502209 107,65	509223 62,40	511566 214,95	
54035	302001 3 732,65	220 / 60 / 3	100679 13,75	500974 171,80	501032 426,50	502210 379,35	502209 107,65	501605 37,75	501623 136,75	

**robot coupe®**

**R60B "A" Sous-Vide**

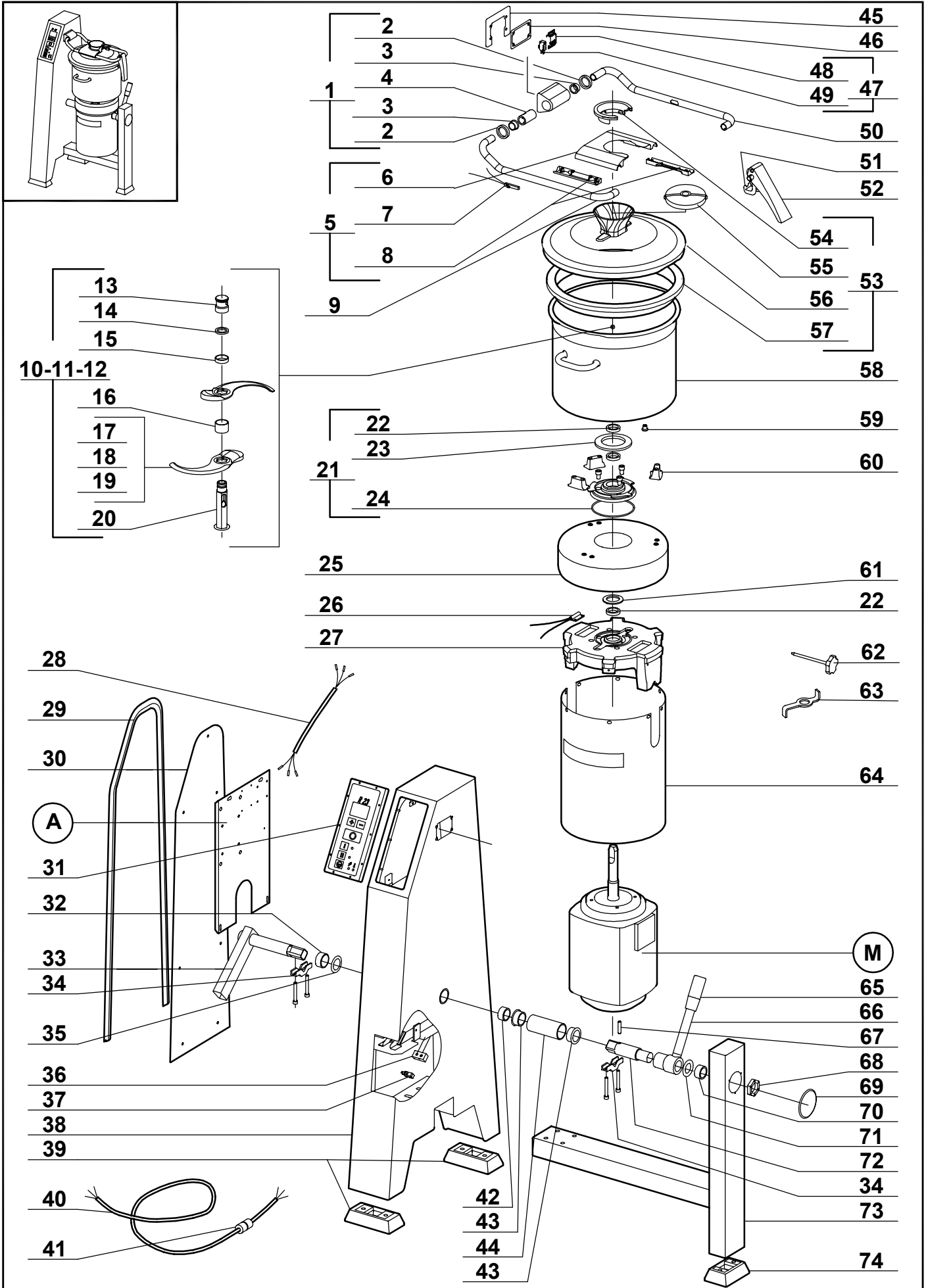
**Pricelist in : EUR**

N°	M	Voltage	
54034	302654 2 801,45	220/380 / 50 / 3	
54035	302001 3 732,65	220 / 60 / 3	



INDEX	REF.	DESIGNATION	Pricelist in : EUR
1	57002	R60B BLADE ASSEMBLY-FLAT	1 003,25
2	57002	R60B BLADE ASSEMBLY-FLAT	1 003,25
3	57013	R60B BLADE ASSEMBLY-SERRATED	967,20
4	57013	R60B BLADE ASSEMBLY-SERRATED	967,20
5	116699	R60B BLADE SHAFT CAP	64,15
6	116700	R60B BLADE SHAFT LOCK NUT	92,60
7	116721	R60B BLADE SPACER 26MM	30,30
8	101384	R60 IND 3.5MM FLAT BLADE TOP	117,45
9	101385	R60 IND 3MM SERR BLADE TOP	129,80
10	116710	R60B BLADE SPACER 12MM	24,95
11	101246	R60 IND 3MM FLAT BLADE CENTRE	117,45
12	101258	R60 IND 3.5MM SERR BLADE MIDDLE	129,80
13	59045	3 SERRATED BLADE ASS	360,35
14	59048	3 STRAIGHT BLADE ASS	320,85
15	116721	R60B BLADE SPACER 26MM	30,30
16	101254	R60 IND 5MM FLAT BLADE BOTTOM	117,45
17	101261	R60 IND 5MM SERR BLADE BOTTOM	129,80
18	116655	R60B BLADE SHAFT	434,15
19	57011	DOUGHT BLADE ARM	961,00
20	100045	BLADE PADDLE 152	107,50
21	100044	BLADE PADDLE 225	136,95
22	100046	R60B BOTTOM BLADE	200,20





**(A)**

PCB R60 COMMUTABLE

**(M)**

6/9KW 220/60 R60 MOTOR

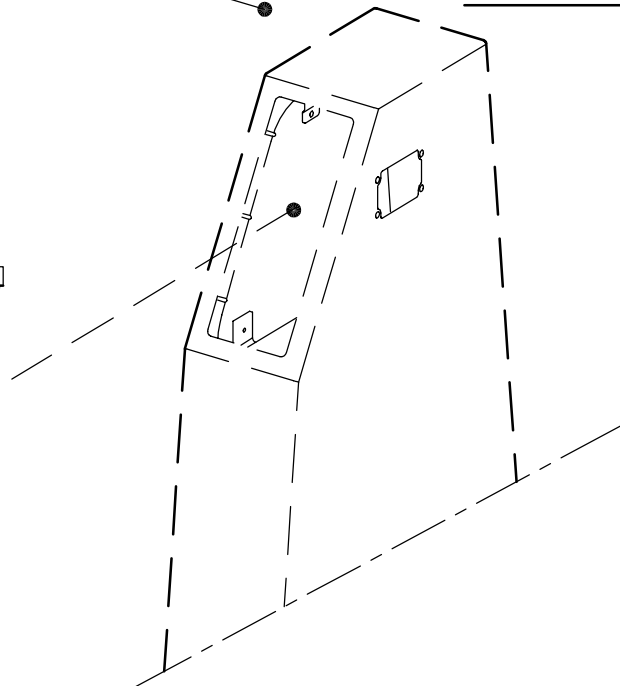
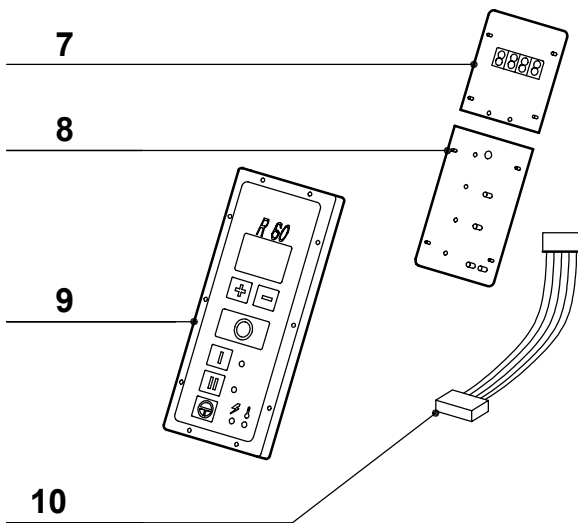
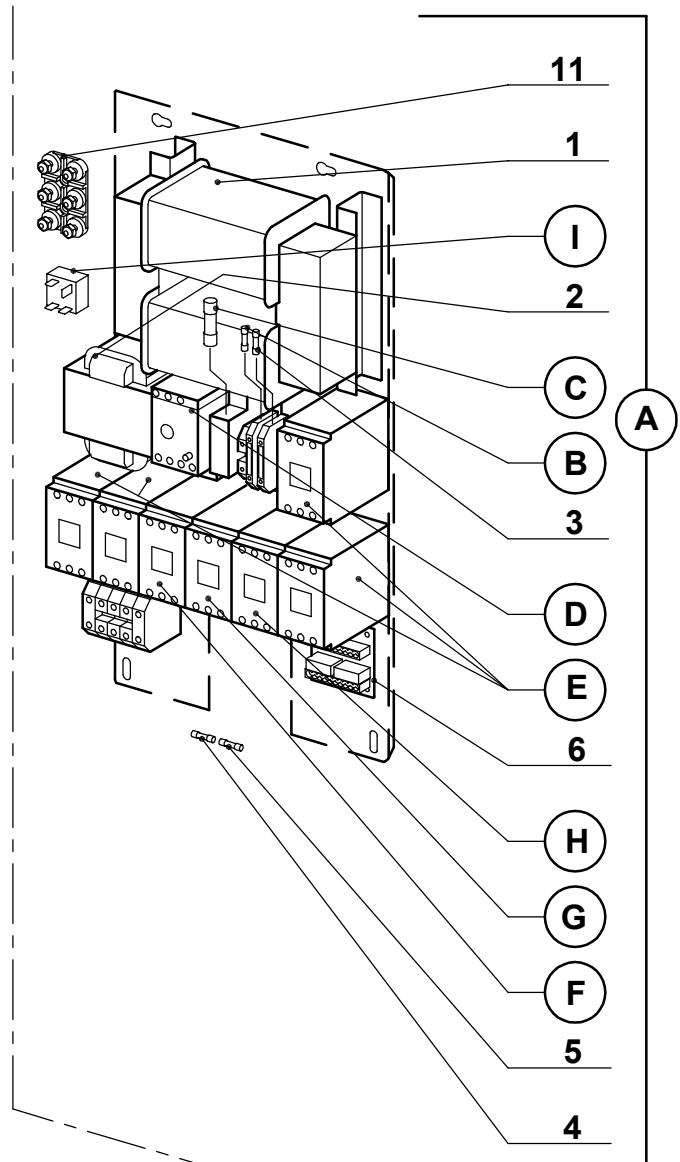
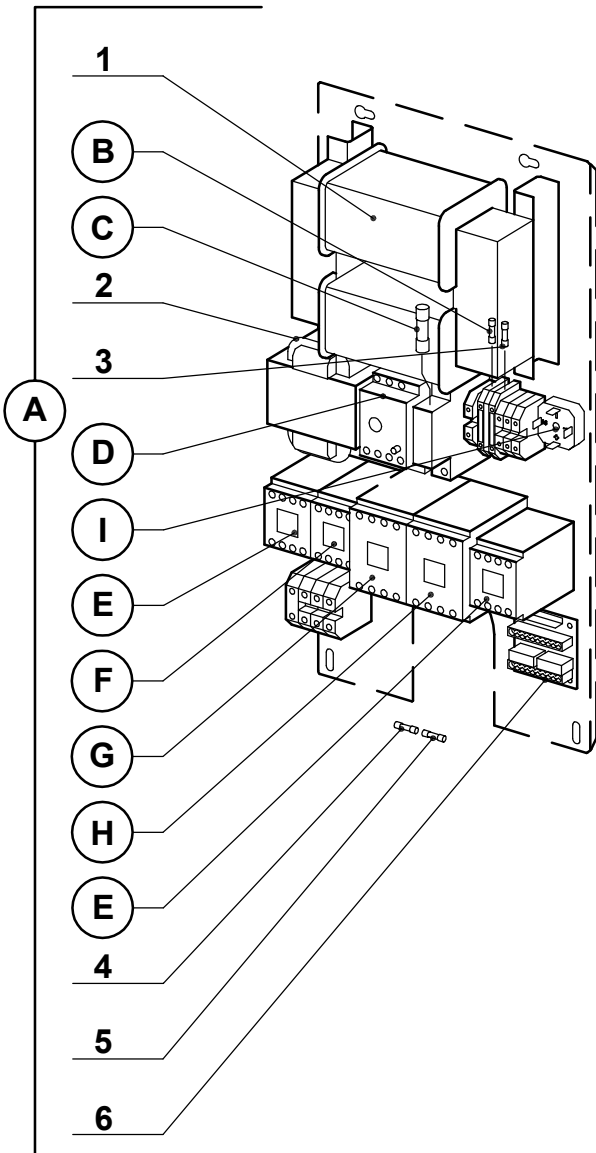
INDEX	REF.	DESIGNATION	Pricelist in : EUR
1	59128	HINGE ASSEMBLY	146,25
2	501424	SEALING RING 20X30	2,55
3	118126	BUSH	0,75
4	118253	R45 LID SWITCH CAM	3,15
5	59130	LID SUPPORT ASSEMBLY	176,65
6	118101	R23-R60 LID SUPPORT	152,80
7	118132	R30 LID REED SWITCH	10,95
8	59131	ARM CLIP ASSEMBLY	13,10
9	118111	LEFT LID TUBE R60	77,00
10	57091	R60 S/S FLAT BLADE ASSEMBLY	See Price list
11	57092	R60 S/S (3) SERRATED BLADE ASS	See Price list
12	57095	R23 BLIXER BOWL PADDLE ASS	See Price list
13	118206	R45 BLADE CAP	93,70
14	118207	R45 PLASTIC WASHER	6,75
15	118204	R45 BLADE SPACER 14MM	18,15
16	118205	R45 BLADE SPACER 43MM	28,55
17	117954	R60 S/S (1) FLAT BLADE	See Price list
18	118290	R60 S/S (1) COARSE SERRATED BLADE	See Price list
19	118245	R60 S/S (1) FINE SERRATED BLADE	See Price list
20	117932	R45 BLADE SUPPORT	144,20
21	59143	R45 MOTOR SEAL SOCKET ASSEMBLY	191,40
22	507054	R45 MOTOR SHAFT SEAL 40X52X7	2,80
23	118153	BOWL SEAL	8,70
24	507050	O RING	3,15
25	118251	Upper Motor Cover	123,00
26	118157	R30 BOWL REED SWITCH	9,75
27	59144	SPACER ASS	365,05
28	118127	SAFETY WIRING	5,40
29	118257	(FA) Casing Access Door Seal, R45T\R60T	25,20
30	117940	R45/R60 CASING ACCESS DOOR	198,05
31	59151	Control Panel Assembly	252,35
32	118146	BACK TILTING PIVOT SPACER	22,10
33	59162	R60 BACK TILTING PIVOT ASSY	163,05
34	118218	TILTING AXE STAPLE	13,30
35	118147	BACK THRUST WASHER	18,40
36	117959	TILTING THRUST	19,10
37	507007	MP450/550 MICROSWITCH	2,40
38	117939	R45/R60 CASING	836,70
39	118186	CASING FOOT	21,80
40	101043	POWER CORD	103,40
41	59167	POWER CORD PROTECTOR	20,15
42	118148	BACK BEARING BUSH	2,45
43	118150	SLEEVE BUSH	2,65
44	118168	R60 132mm SLEEVE	22,15
45	118128	PLAQUE RENFORT CHARNIERE	11,20
46	118255	HINGE FLAT SEAL	2,45
47	59127	SAFETY SWITCH ASSEMBLY	18,60
48	118254	SWITCH SUPPORT	4,00
49	501258	SAFETY SWITCH	14,65
50	118110	RIGHT LID TUBE R60	77,00
51	118172	LID HOOK	47,30
52	59129	LID HANDLE ASSEMBLY	183,45
53	59149	R60 COMPLETE LID ASSY	288,95
54	118100	R30 LID CENTRE SUPPORT SEAL	9,60
55	118573	R23-R60 LID CAP	27,75
56	118180	R60 COMPLETE LID ASSY	170,10
57	118184	R60 LID SEAL ASS R60	92,20
58	59148	R60 S/S BOWL	970,90
59	118171	SAFETY PLUG	7,85

INDEX	REF.	DESIGNATION	Pricelist in : EUR
60	59165	BOWL THRUST ASSEMBLY	92,00
61	118174	R45 MOTOR DEFLECTOR	22,15
62	59950	PIN ASSEMBLY	9,45
63	118268	R45 KNIFE DISMOUNTING TOOL	15,75
64	118298	R60 BOTTOM MOTOR COVER	464,80
65	118142	R30 TILT ARM END COVER	5,65
66	59161	R60 LOCKING LEVER ASSY	163,05
67	208582	R172 STAR WASHER N/A	6,65
68	118166	R30 HEX ADJUSTING NUT	14,40
69	117956	PLUG	14,90
70	118144	FRONT BEARING BUSH	2,45
71	118143	FRONT THRUST WASHER	2,45
72	59163	R60 FRONT TILTING PIVOT ASSY	98,30
73	118191	R60 STAND	455,40
74	117958	STAND FOOT	21,80

N°	M	Voltage	A	
54133	303067 2 281,90	230-400 / 50 / 3	117998 1 362,55	
54134	303064 1 755,25	400 / 50 / 3	117995 932,00	
54135	303070 1 755,25	220 / 60 / 3	117997 1 029,35	

Monotension

Bitension



- (A)** PCB R60 COMMUTABLE
- (B)** PRIMARY FUSE 10A
- (C)** BREAK FUSE
- (D)** THERMAL RELAY
- (E)** CONTACTOR RT1036
- (F)** (FA) Low Speed/Contactor, R45T
- (G)** (FA) High Speed Contactor, R45T
- (H)** (FA) High Speed Contactor, R45T
- (I)** TRANSFORMER

INDEX	REF.	DESIGNATION	Pricelist in : EUR
1	503971	TRANSFORMER 48V	155,45
2	503970	TRANSFORMER 9/24V	51,55
3	511620	TRANSFORMER	29,30
4	500537	PRIMARY FUSE 9/24V	3,00
5	504253	SECONDARY FUSE 9V	3,75
6	507121	SECONDARY FUSE 24 V	3,20
7	117980	R30 CONNECTION CARD	50,25
8	117999	TIMER CIRCUIT BOARD	79,20
9	117981	R30 PCB	137,60
10	59145	Control Panel Assembly	194,10
11	117982	R30 PCB CONNECTION CABLE	18,50
12	507167	COMMUTATION SUPPORT	68,57

N°	M	Voltage	A	B	C	D	E	F	G	
54133	303067 2 281,90	230-400 / 50 / 3	117998 1 362,55	504258 3,40	502098 4,65	503961 67,90	503962 Contact us	503969 92,25	503688 96,15	
54134	303064 1 755,25	400 / 50 / 3	117995 932,00	503108 3,20	503356 3,20	503376 51,55	503364 44,60	503364 44,60	503969 92,25	
54135	303070 1 755,25	220 / 60 / 3	117997 1 029,35	504258 3,40	502098 4,65	503961 67,90	503962 Contact us	503969 92,25	503688 96,15	

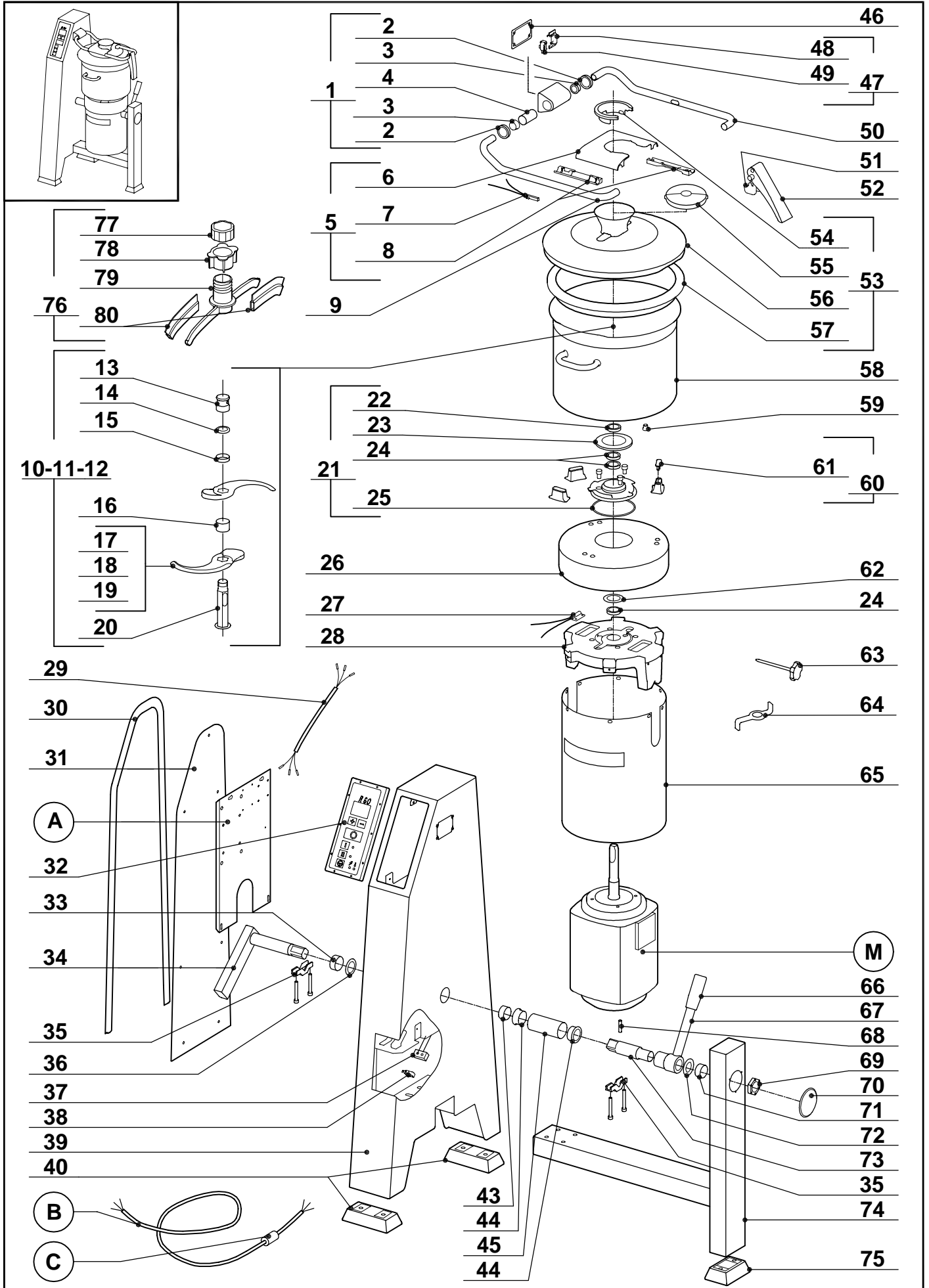
robot coupe®

R60

Pricelist in : EUR

N°	M	Voltage	H	I	
54133	303067 2 281,90	230-400 / 50 / 3	503688 96,15	511622 30,05	
54134	303064 1 755,25	400 / 50 / 3	503969 92,25	511620 29,30	
54135	303070 1 755,25	220 / 60 / 3	503688 96,15	511622 30,05	



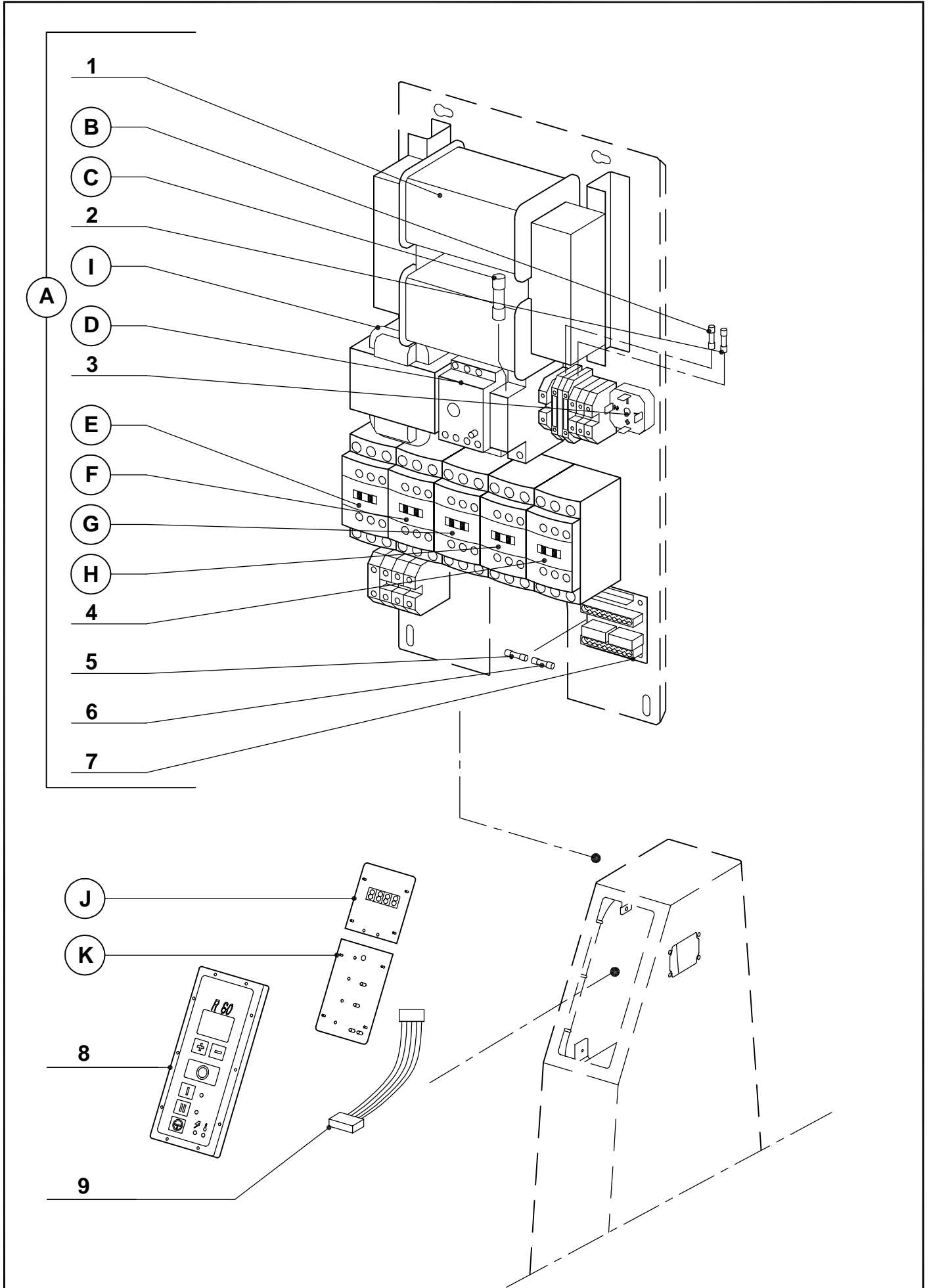


- (A)** PCB R60 PLUS 220/60
- (B)** POWER CORD
- (C)** POWER CORD PROTECTOR
- (M)** R60 11000W 230/50/3 MOTOR

INDEX	REF.	DESIGNATION	Pricelist in : EUR
1	59128	HINGE ASSEMBLY	146,25
2	501424	SEALING RING 20X30	2,55
3	118126	BUSH	0,75
4	118253	R45 LID SWITCH CAM	3,15
5	59130	LID SUPPORT ASSEMBLY	176,65
6	118101	R23-R60 LID SUPPORT	152,80
7	118132	R30 LID REED SWITCH	10,95
8	59131	ARM CLIP ASSEMBLY	13,10
9	119211	R60 RIGHT LID TUBE	80,80
10	57091	R60 S/S FLAT BLADE ASSEMBLY	See Price list
11	57092	R60 S/S (3) SERRATED BLADE ASS	See Price list
12	57095	R23 BLIXER BOWL PADDLE ASS	See Price list
13	118206	R45 BLADE CAP	93,70
14	118207	R45 PLASTIC WASHER	6,75
15	118204	R45 BLADE SPACER 14MM	18,15
16	118205	R45 BLADE SPACER 43MM	28,55
17	117954	R60 S/S (1) FLAT BLADE	See Price list
18	118290	R60 S/S (1) COARSE SERRATED BLADE	See Price list
19	118245	R60 S/S (1) FINE SERRATED BLADE	See Price list
20	117932	R45 BLADE SUPPORT	144,20
21	59143	R45 MOTOR SEAL SOCKET ASSEMBLY	191,40
22	59168	SHAFT SEAL RING ASSY	41,05
23	118153	BOWL SEAL	8,70
24	507054	R45 MOTOR SHAFT SEAL 40X52X7	2,80
25	507050	O RING	3,15
26	118251	Upper Motor Cover	123,00
27	118157	R30 BOWL REED SWITCH	9,75
28	59198	R45 MOTOR SUPPORT ASSY	284,95
29	118127	SAFETY WIRING	5,40
30	118257	(FA) Casing Access Door Seal, R45\T\R60T	25,20
31	117940	R45/R60 CASING ACCESS DOOR	198,05
32	59151	Control Panel Assembly	252,35
33	118146	BACK TILTING PIVOT SPACER	22,10
34	59162	R60 BACK TILTING PIVOT ASSY	163,05
35	119214	TILTING PIVOT STAPLE	13,95
36	118147	BACK THRUST WASHER	18,40
37	117959	TILTING THRUST	19,10
38	507007	MP450/550 MICROSWITCH	2,40
39	117939	R45/R60 CASING	836,70
40	118186	CASING FOOT	21,80
43	118148	BACK BEARING BUSH	2,45
44	118150	SLEEVE BUSH	2,65
45	118168	R60 132mm SLEEVE	22,15
46	118255	HINGE FLAT SEAL	2,45
47	59127	SAFETY SWITCH ASSEMBLY	18,60
48	118254	SWITCH SUPPORT	4,00
49	501258	SAFETY SWITCH	14,65
50	119210	R60 RIGHT LID TUBE	80,80
51	119212	R45 LID LATCH HOOK	49,65
52	59196	R45 LID LATCH ASSEMBLY	183,45
53	59149	R60 COMPLETE LID ASSY	288,95
54	118100	R30 LID CENTRE SUPPORT SEAL	9,60
55	118573	R23-R60 LID CAP	27,75
56	118180	R60 COMPLETE LID ASSY	170,10
57	119186	R60 LID SEAL N/S FLAT	92,15

INDEX	REF.	DESIGNATION	Pricelist in : EUR
58	59148	R60 S/S BOWL	970,90
59	118171	SAFETY PLUG	7,85
60	59165	BOWL THRUST ASSEMBLY	92,00
61	118595	PLASTIC BOWL THRUST	1,30
62	118174	R45 MOTOR DEFLECTOR	22,15
63	59950	PIN ASSEMBLY	9,45
64	118268	R45 KNIFE DISMOUNTING TOOL	15,75
65	118298	R60 BOTTOM MOTOR COVER	464,80
66	118142	R30 TILT ARM END COVER	5,65
67	59161	R60 LOCKING LEVER ASSY	163,05
68	208582	R172 STAR WASHER N/A	6,65
69	118166	R30 HEX ADJUSTING NUT	14,40
70	117956	PLUG	14,90
71	118144	FRONT BEARING BUSH	2,45
72	118143	FRONT THRUST WASHER	2,45
73	59163	R60 FRONT TILTING PIVOT ASSY	98,30
74	118191	R60 STAND	455,40
75	117958	STAND FOOT	21,80
76	59208	R60 LID WIPER ASSY	57,10
77	118227	LID WIPER NUT	3,80
78	118228	LID WIPER GUIDE	3,85
79	118223	R60 LID WIPER	22,30
80	118226	R60 LID SCRAPER	7,20

N°	M	Voltage	A	B	C	
54166	303103 1 912,90	400 / 50 / 3	119180 1 157,55	504272 Contact us	59160 15,70	
54167	303123 2 109,10	220 / 60 / 3	119181 1 265,45	101043 103,40	59167 20,15	
54168	303137 1 912,90	380 / 60 / 3	119180 1 157,55	504272 Contact us	59160 15,70	
54169	303139 1 226,25	230 / 50 / 3	119181 1 265,45	101043 103,40	59167 20,15	



- (A)** PCB R60 PLUS 220/60
- (B)** PRIMARY FUSE 10A
- (C)** BREAK FUSE
- (D)** (HA) High Spd Thermal Relay, R60T
- (E)** (DA) Contactor, R30T
- (F)** (DA) Contactor, R30T
- (G)** (FA) High Speed Contactor, R45T
- (H)** (FA) High Speed Contactor, R45T
- (I)** (GA) Transformer, R23T\R30T\R45\
- (J)** BLX45/60 TIGHTENING PLATE
- (K)** 12V CONTROL CIRCUIT BOARD

INDEX	REF.	DESIGNATION	Pricelist in : EUR
1	503973	TRANSFORMER 48V	260,00
2	500537	PRIMARY FUSE 9/24V	3,00
3	511622	TRANSFORMER 35A	30,05
4	503362	(DA) Contactor, R30T	66,75
5	504253	SECONDARY FUSE 9V	3,75
6	507121	SECONDARY FUSE 24 V	3,20
7	117980	R30 CONNECTION CARD	50,25
8	59151	Control Panel Assembly	252,35
9	117982	R30 PCB CONNECTION CABLE	18,50



## R60 - 11000 W

Pricelist in : EUR

N°	M	Voltage	A	B	C	D	E	F	G	
54166	303103 1 912,90	400 / 50 / 3	119180 1 157,55	504272 Contact us	59160 15,70	503376 51,55	503362 66,75	503362 66,75	503969 92,25	
54167	303123 2 109,10	220 / 60 / 3	119181 1 265,45	101043 103,40	59167 20,15	507178 105,95	503969 92,25	503969 92,25	503688 96,15	
54168	303137 1 912,90	380 / 60 / 3	119180 1 157,55	504272 Contact us	59160 15,70	503376 51,55	503362 66,75	503362 66,75	503969 92,25	
54169	303139 1 226,25	230 / 50 / 3	119181 1 265,45	101043 103,40	59167 20,15	507178 105,95	503969 92,25	503969 92,25	503688 96,15	

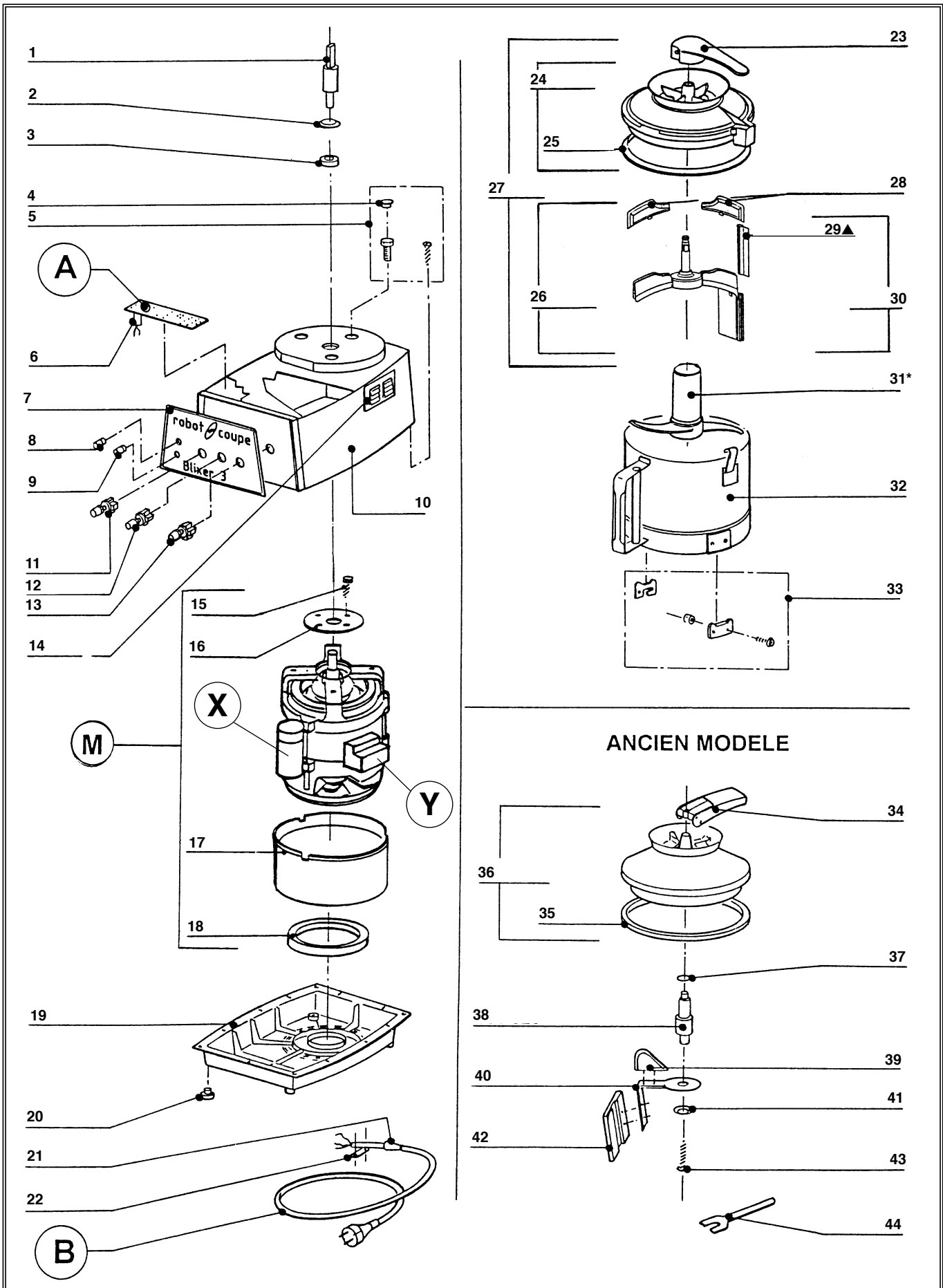
**robot coupe®**

**R60 - 11000 W**

**Pricelist in : EUR**

N°	M	Voltage	H	I	J	K	
54166	303103 1 912,90	400 / 50 / 3	503969 92,25	503972 71,15	117999 79,20	117981 137,60	
54167	303123 2 109,10	220 / 60 / 3	503688 96,15	507200 87,80	119218 79,15	119217 137,60	
54168	303137 1 912,90	380 / 60 / 3	503969 92,25	503972 71,15	117999 79,20	117981 137,60	
54169	303139 1 226,25	230 / 50 / 3	503688 96,15	503972 71,15	117999 79,20	117981 137,60	

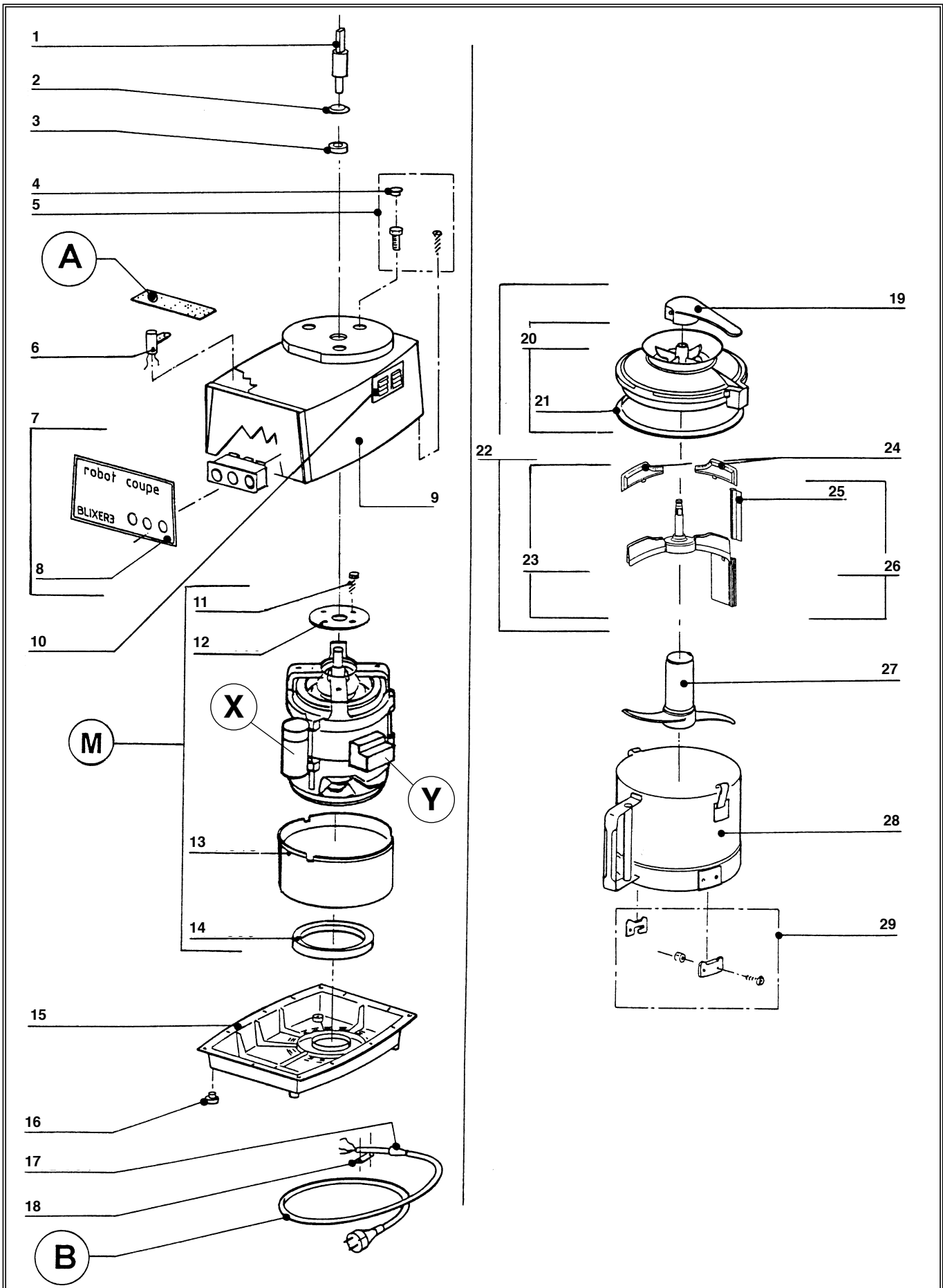




- (A)** CIRCUIT BOARD
- (B)** POWER CORD
- (M)** MOTOR
- (X-new)** CAPACITOR
- (X-old)** CAPACITOR
- (Y-new)** (M)Capacitor Relay
- (Y-old)** (M)Capacitor Relay

INDEX	REF.	DESIGNATION	Pricelist in : EUR
1	101677	BLIXER 3 DRIVE SHAFT	20,90
2	100084	R301U DRIVE SHAFT COLLAR	1,65
3	500467	R301 MOTOR SEAL 12x22x4.5	1,30
4	101754	BLIXER 3 BOLT COVER	0,60
5	29298	MOT SUP SCREWS ASS B	5,75
6	39358	R301U REED SW/SOCKET ASSEMBLY	4,55
7	401165	BLIXER 3 NAME PLATE	7,60
8	500323	R301U INDICATOR-CLEAR	6,45
9	500324	R301U INDICATOR-GREEN	7,10
10	29253	BLIXER 3 TOP CASE ASSEMBLY	76,30
11	500322	GREEN KNOB	32,90
12	500321	RED KNOB	32,90
13	500301	BLACK KNOB	31,85
14	125290	R301 VENT COVER	2,55
15	125279	SCREW M6/M8	7,00
16	117693	LS D25 MOTOR SPACER	5,75
17	118340	BAFFLE	17,13
18	101099	R201 SHOCK ABSORBER	8,90
19	29278	BLIXER 3 BOTTOM CASE ASSEMBLY	17,15
20	102031	FOOT	1,05
21	502354	BUSHING RELIEF	1,80
22	108515	POWER CORD CLIP	0,15
23	29387	BLIXER 3 LID HANDLE N/S	22,20
24	29283	BLIXER 3 LID & SEAL	55,75
25	101163	BLIXER 3 LID SEAL	27,15
26	29388	BLIXER 3 SCRAPER ARM ASS N/S	42,85
27	29312	BLIXER 3 LID COMPLETE	208,40
28	102138	BLIXER 3 LID SCRAPER N/S	2,60
29	102382	BLIXER 3 BOWL SCRAPER N/S	2,10
30	29479	SCRAPER ARM ASS	16,20
31	27074	BLIXER 3 FINE SERRATED BLADE	See Price list
32	101650	BLIXER 3 BOWL S/S	271,30
33	29081	R301U LOCK PLATE & SCREWS	12,40
34	39028	HANDLE ASS	68,20
35	101163	BLIXER 3 LID SEAL	27,15
36	29283	BLIXER 3 LID & SEAL	55,75
37	501196	DIAM.12X2 TORIC SEAL	0,70
38	101625	SCRAPER SHAFT	12,85
39	101667	BLIXER 3 LID SCRAPER	5,25
40	101651	SCRAPER ARM	45,25
41	207427	BLIXER 4 WASHER S/S	0,10
42	101666	BLIXER 3 BOWL SCRAPER	5,25
43	101774	BLIXER 3 SCRAPER ARM SCREW	1,35
44	501967	DISMOUNTING KEY	11,75

N°	M	Voltage	A	B	X-new	X-old	Y-new	Y-old	
33006	302041 395,45	230 / 50 / 1	39022 75,85	507322 10,00	502474 30,05	600018 12,30	503092 23,50	514030 48,45	
33007	302043 431,35	115 / 60 / 1	39023 83,65	507329 10,00	502732 12,35	505450 33,05	508277 50,50	508277 50,50	
33146 AUST	301076 431,35	220 / 60 / 1	102305 75,75	507322 10,00	502474 30,05	600018 12,30	514030 48,45	514030 48,45	



- (A)** CIRCUIT BOARD
- (B)** POWER CORD
- (M)** MOTOR
- (X-new)** CAPACITOR
- (X-old)** CAPACITOR
- (Y-new)** (M)Capacitor Relay
- (Y-old)** (M)Capacitor Relay

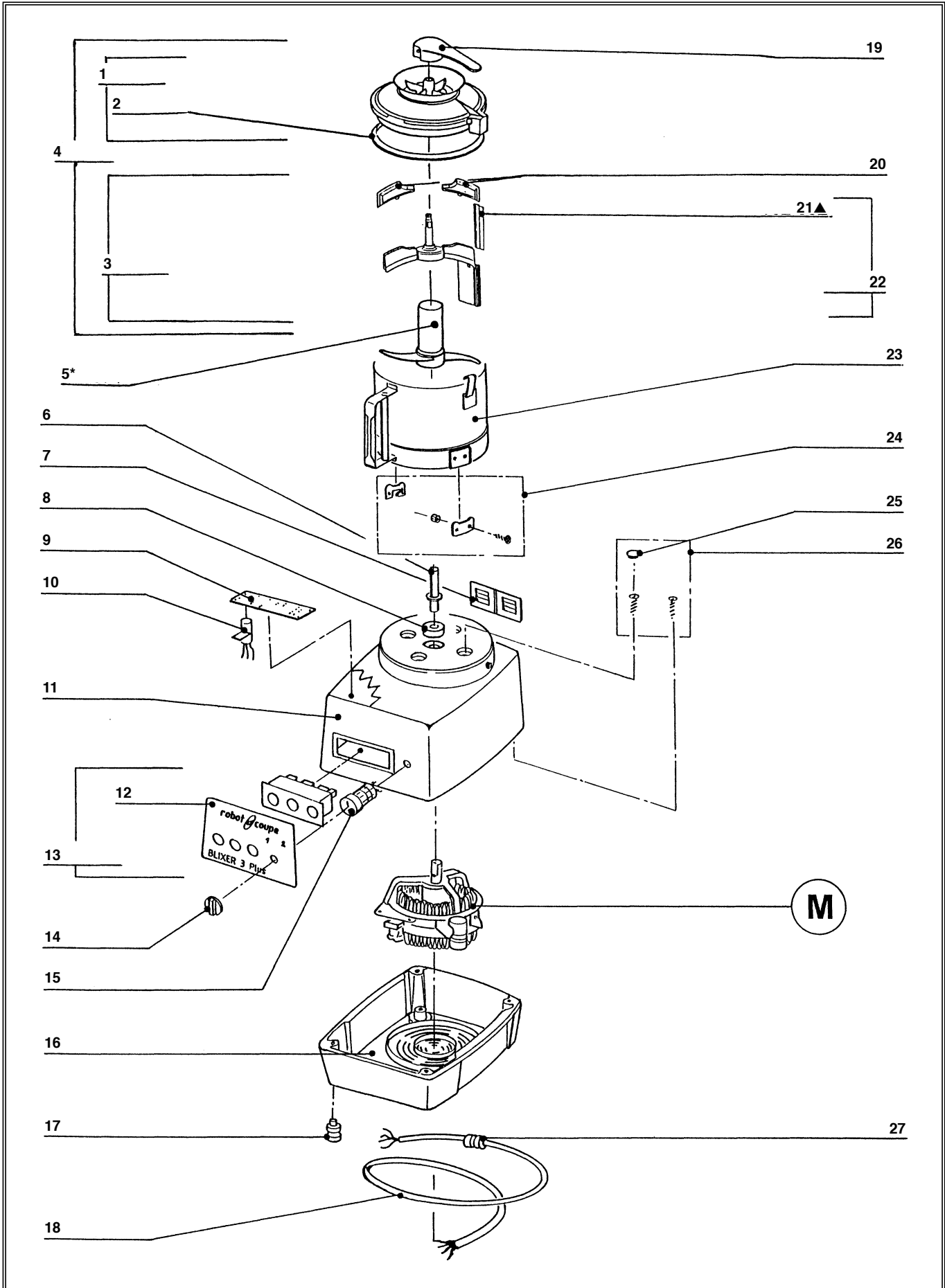
INDEX	REF.	DESIGNATION	Pricelist in : EUR
1	101677	BLIXER 3 DRIVE SHAFT	20,90
2	100084	R301U DRIVE SHAFT COLLAR	1,65
3	500467	R301 MOTOR SEAL 12x22x4.5	1,30
4	101754	BLIXER 3 BOLT COVER	0,60
5	29298	MOT SUP SCREWS ASS B	5,75
6	29441	R301 ULTRA B REED SWITCH ASS	10,45
7	29448	SWITCH PANNEL ASS	74,55
8	405864	BLIXER 3B NAME PLATE	7,60
9	29446	BLIXER 3B TOP CASE	76,30
10	125290	R301 VENT COVER	2,55
11	125279	SCREW M6/M8	7,00
12	117693	LS D25 MOTOR SPACER	5,75
13	118340	BAFFLE	17,13
14	101099	R201 SHOCK ABSORBER	8,90
15	29378	R301B BOTTOM CASE	17,15
16	101082	R201 RUBBER FOOT	1,05
17	502354	BUSHING RELIEF	1,80
18	108515	POWER CORD CLIP	0,15
19	29387	BLIXER 3 LID HANDLE N/S	22,20
20	29283	BLIXER 3 LID & SEAL	55,75
21	101163	BLIXER 3 LID SEAL	27,15
22	29312	BLIXER 3 LID COMPLETE	208,40
23	29388	BLIXER 3 SCRAPER ARM ASS N/S	42,85
24	102138	BLIXER 3 LID SCRAPER N/S	2,60
25	102382	BLIXER 3 BOWL SCRAPER N/S	2,10
26	29479	SCRAPER ARM ASS	16,20
27	27074	BLIXER 3 FINE SERRATED BLADE	See Price list
28	101650	BLIXER 3 BOWL S/S	271,30
29	29081	R301U LOCK PLATE & SCREWS	12,40

**robot coupe®**

**Blixer 3 "B"**

Pricelist in : EUR

N°	M	Voltage	A	B	X-new	X-old	Y-new	Y-old	
33141	302041 395,45	230 / 50 / 1	102305 75,75	507322 10,00	502474 30,05	600018 12,30	503092 23,50	514030 48,45	
33142	302043 431,35	115 / 60 / 1	102304 83,55	507329 10,00	502732 12,35	505450 33,05	508277 50,50	508277 50,50	
33148	301076 431,35	220 / 60 / 1	102305 75,75	507322 10,00	502474 30,05	600018 12,30	514030 48,45	514030 48,45	

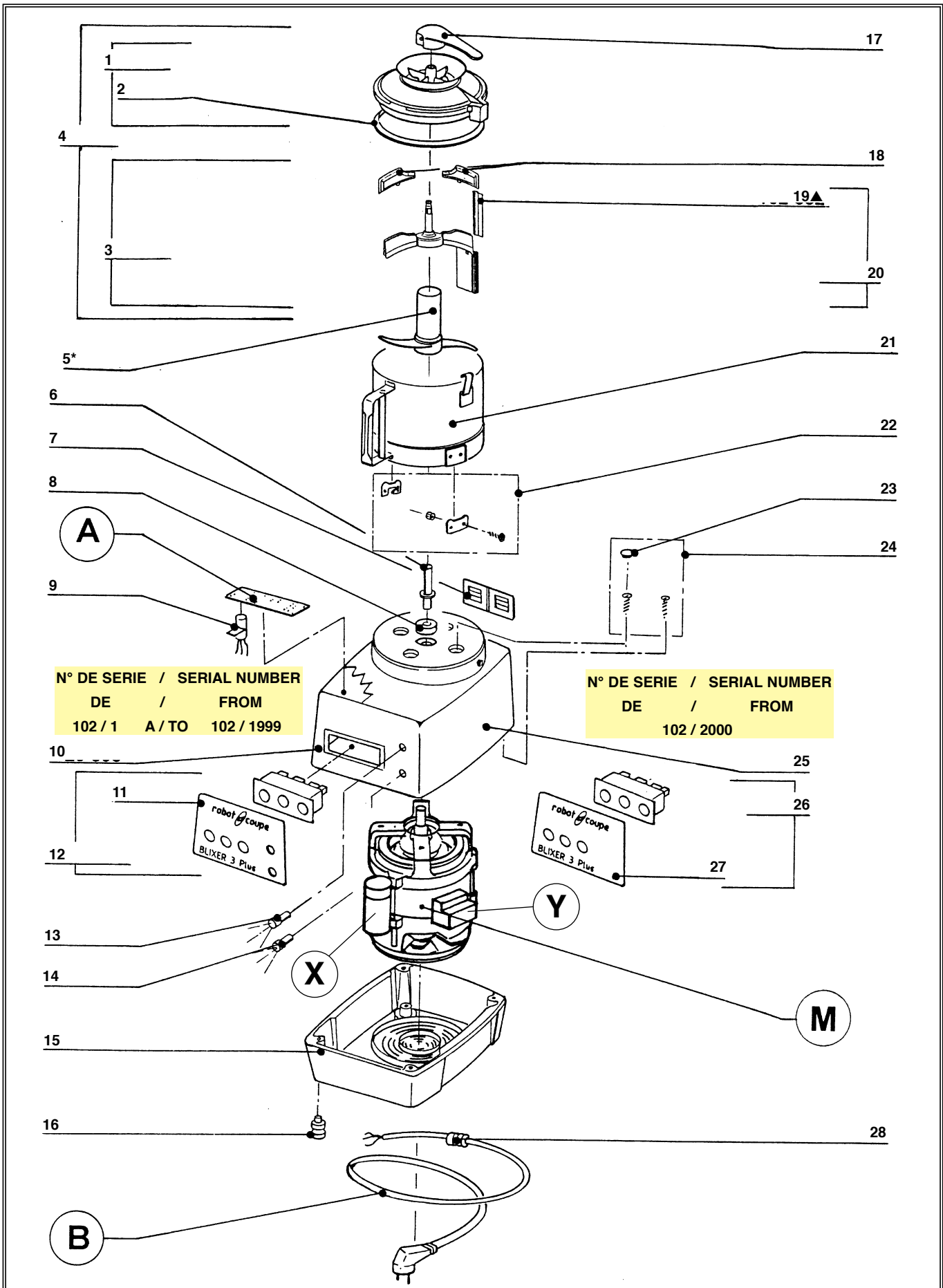



**MOTOR**

INDEX	REF.	DESIGNATION	Pricelist in : EUR
1	29283	BLIXER 3 LID & SEAL	55,75
2	101163	BLIXER 3 LID SEAL	27,15
3	29388	BLIXER 3 SCRAPER ARM ASS N/S	42,85
4	29312	BLIXER 3 LID COMPLETE	208,40
5	27074	BLIXER 3 FINE SERRATED BLADE	See Price list
6	102180	DISMOUNTABLE SHAFT	25,10
7	101098	VENT COVER	3,55
8	501010	BLIXER 4 COUPLING SEAL 15X35X6	7,40
9	102099	R602/502 PCB 415V	130,25
10	29516	REED SWITCH BLIX/R3+	13,75
11	29389	MOTOR SUPPORT ASS	184,55
12	401802	FRONT PLATE	7,60
13	29390	SWITCH ASS	74,55
14	117072	R302 PLUS/502 SPEED SWITCH HANDLE	7,70
15	501840	R501Ua SPEED SWITCH ASSEMBLY	56,45
16	29335	R302 BOTTOM CASE	79,00
17	102031	FOOT	1,05
18	502067	POWER CORD	29,95
19	29387	BLIXER 3 LID HANDLE N/S	22,20
20	102138	BLIXER 3 LID SCRAPER N/S	2,60
21	102382	BLIXER 3 BOWL SCRAPER N/S	2,10
22	29479	SCRAPER ARM ASS	16,20
23	101650	BLIXER 3 BOWL S/S	271,30
24	29081	R301U LOCK PLATE & SCREWS	12,40
25	102037	SCREW CAP	0,60
26	29321	SCREW ASS	5,75
27	515515	CL60 CABLE GROMMET	3,45



N°	M	Voltage	
33123	301074 305,10	380 / 50 / 3	
33125	301067 305,10	220 / 60 / 3	
33126	301072 305,10	380 / 60 / 3	
33129	302033 305,10	220 / 50 / 3	



- (A)** CIRCUIT BOARD
- (B)** POWER CORD
- (M)** BLIXER 3 PLUS MOTOR 240V 50HZ
- (X-new)** CAPACITOR
- (X-old)** CAPACITOR
- (Y-new)** BLIXER 4 RELAY 2CR3 228
- (Y-old)** BLIXER 4 RELAY 2CR3 228

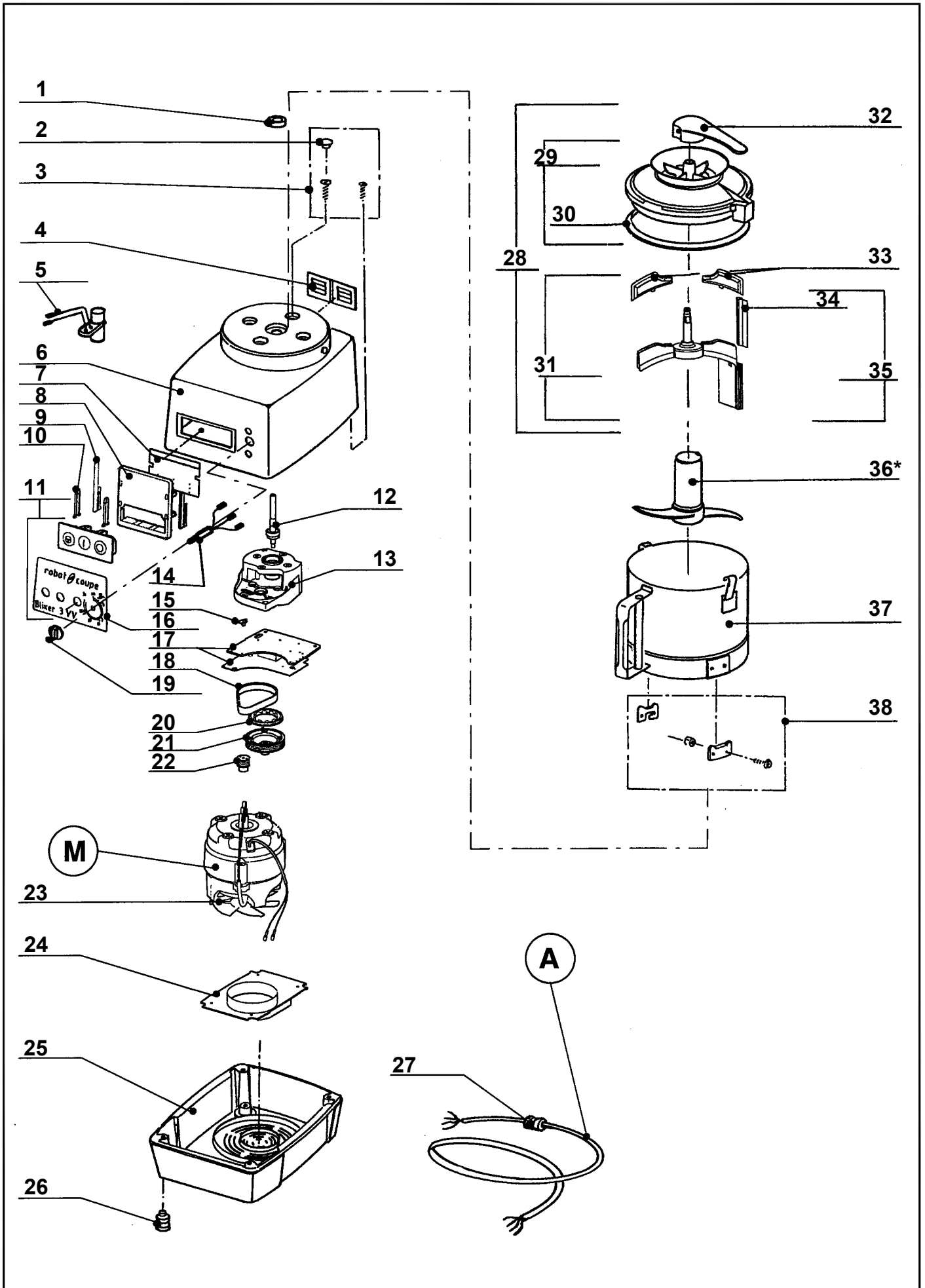
INDEX	REF.	DESIGNATION	Pricelist in : EUR
1	29283	BLIXER 3 LID & SEAL	55,75
2	101163	BLIXER 3 LID SEAL	27,15
3	29388	BLIXER 3 SCRAPER ARM ASS N/S	42,85
4	29312	BLIXER 3 LID COMPLETE	208,40
5	27074	BLIXER 3 FINE SERRATED BLADE	See Price list
6	117766	BLIXER 3+ DRIVE SHAFT	25,10
7	101098	VENT COVER	3,55
8	501010	BLIXER 4 COUPLING SEAL 15X35X6	7,40
9	29379	R3 PLUS REED SWITCH ASSEMBLY	13,75
10	29393	MOTOR SUPPORT ASS	184,55
11	405723	BLIXER 3 PLUS NAME PLATE	7,60
12	29394	SWITCH ASS	74,55
13	500323	R301U INDICATOR-CLEAR	6,45
14	500324	R301U INDICATOR-GREEN	7,10
15	29335	R302 BOTTOM CASE	79,00
16	102031	FOOT	1,05
17	29387	BLIXER 3 LID HANDLE N/S	22,20
18	102138	BLIXER 3 LID SCRAPER N/S	2,60
19	102382	BLIXER 3 BOWL SCRAPER N/S	2,10
20	29479	SCRAPER ARM ASS	16,20
21	101650	BLIXER 3 BOWL S/S	271,30
22	29081	R301U LOCK PLATE & SCREWS	12,40
23	102037	SCREW CAP	0,60
24	29321	SCREW ASS	5,75
25	29576	BLIXER 3+TOP CASING 240V	184,55
26	29455	SWITCH ASS	74,55
27	405925	BLIXER 3 PLUS NAME PLATE (NO NEONS)	7,60
28	515515	CL60 CABLE GROMMET	3,45

**robot coupe®**

**Blixer 3 Plus mono**

**Pricelist in : EUR**

N°	M	Voltage	A	B	X-new	X-old	Y-new	Y-old	
33119	302045 395,45	230 / 50 / 1	102305 75,75	507322 10,00	502474 30,05	600018 12,30	503092 23,50	514030 48,45	
33121	302046 395,45	115 / 60 / 1	102304 83,55	507329 10,00	502732 12,35	505450 33,05	508277 50,50	508277 50,50	
33122	302047 395,45	220 / 60 / 1	102305 75,75	507322 10,00	502474 30,05	600018 12,30	514030 48,45	514030 48,45	



(A)

(M)

MOTOR

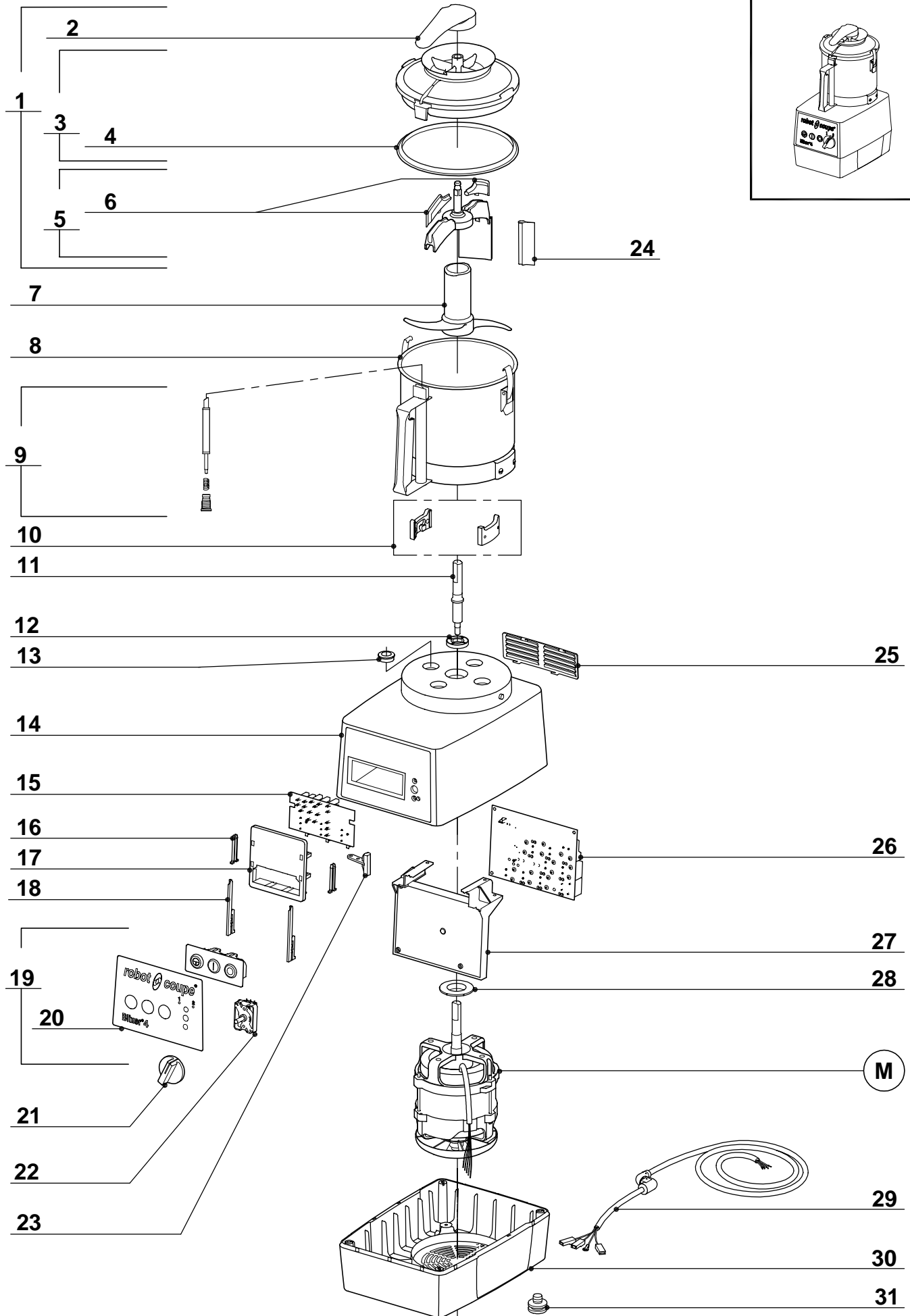
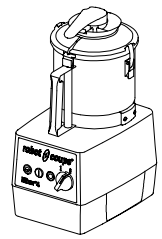
INDEX	REF.	DESIGNATION	Pricelist in : EUR
1	501010	BLIXER 4 COUPLING SEAL 15X35X6	7,40
2	102037	SCREW CAP	0,60
3	29321	SCREW ASS	5,75
4	101098	VENT COVER	3,55
5	29451	CL50D REED SWITCH	13,75
6	29610	MOTOR SUPPORT ASS	184,50
7	102921	R302VV SWITCH CONTROL PCB	13,70
8	102911	R301U (C) PCB SUPPORT	3,30
9	117703	R301U (C) PCB KEY	0,55
10	102913	R401 PANEL KEY	0,80
11	29608	SWITCH ASS	74,50
12	29605	BLIXER 4VV DRIVE SHAFT ASSEMBLY	80,25
13	102910	TRANSMISSION SUPPORT HOLDER	21,00
14	29644	R302VV SPEED/REED SWITCH ASS	45,90
15	102920	R402VV PCB SENSOR	17,90
16	406757	CMP COMBI PACKAGING	7,60
17	102935	CL60 MAGNET ARM SUPPORT	463,90
18	503940	R402VV DRIVE BELT	37,35
19	117073	R602VV SWITCH HANDLE	7,70
20	102922	R402VV TOOTHED WHEEL	14,60
21	102923	R402VV LARGE PULLEY	44,05
22	102924	R402VV SMALL PULLEY	38,30
23	102934	R302VV MOTOR FAN	5,25
24	103157	R302 V.V. DEFLECTOR	8,60
25	29335	R302 BOTTOM CASE	79,00
26	102031	FOOT	1,05
27	515515	CL60 CABLE GROMMET	3,45
28	29312	BLIXER 3 LID COMPLETE	208,40
29	29283	BLIXER 3 LID & SEAL	55,75
30	101163	BLIXER 3 LID SEAL	27,15
31	29388	BLIXER 3 SCRAPER ARM ASS N/S	42,85
32	29387	BLIXER 3 LID HANDLE N/S	22,20
33	102138	BLIXER 3 LID SCRAPER N/S	2,60
34	102382	BLIXER 3 BOWL SCRAPER N/S	2,10
35	29479	SCRAPER ARM ASS	16,20
36	27074	BLIXER 3 FINE SERRATED BLADE	See Price list
37	101650	BLIXER 3 BOWL S/S	271,30
38	29081	R301U LOCK PLATE & SCREWS	12,40

**robot coupe®**

**Blixer 3 V.V.**

**Pricelist in : EUR**

N°	M	Voltage	A	
33175	303076 375,75	200-230 / 50-60 / 1	503978 10,00	



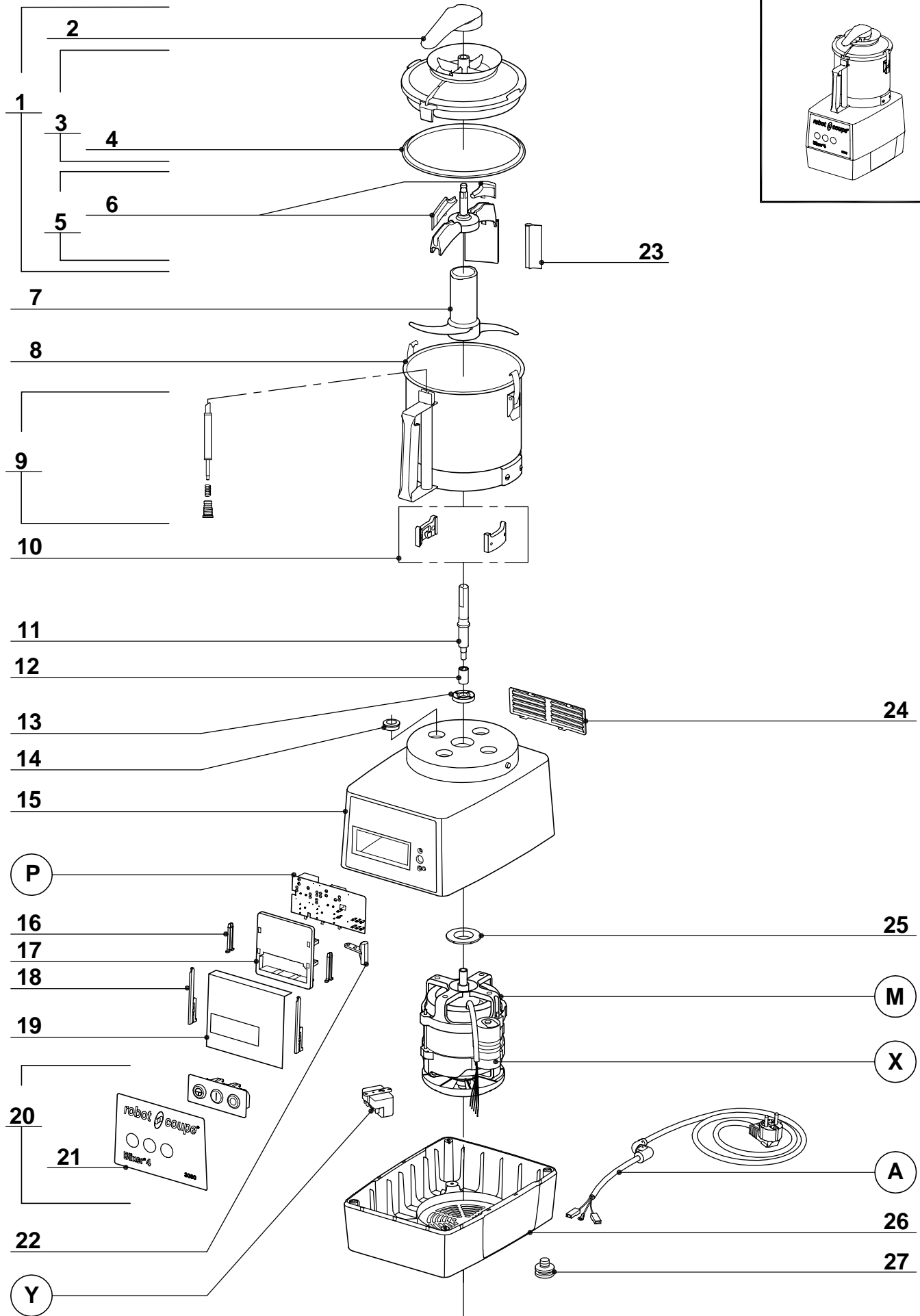
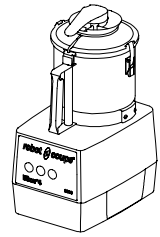




BLIXER 4 MOTOR 220/60/3

INDEX	REF.	DESIGNATION	Pricelist in : EUR
1	29488	COMPLETE LID ASS BLIXER3	134,60
2	29387	BLIXER 3 LID HANDLE N/S	22,20
3	29487	LID ASS BLIXER 3	66,55
4	101163	BLIXER 3 LID SEAL	27,15
5	29388	BLIXER 3 SCRAPER ARM ASS N/S	42,85
6	102138	BLIXER 3 LID SCRAPER N/S	2,60
7	27074	BLIXER 3 FINE SERRATED BLADE	See Price list
8	101555	BLIXER 4 BOWL STAINLESS STEEL	294,50
9	39225	R401 SAFETY ROD ASSY	Contact us
10	29081	R301U LOCK PLATE & SCREWS	12,40
11	102180	DISMOUNTABLE SHAFT	25,10
12	501010	BLIXER 4 COUPLING SEAL 15X35X6	7,40
13	104070	R401 BOLT COVER	0,60
14	39125	BLIXER 4 TOP CASE	192,25
15	101921	R402 SWITCH CONTROL PCB	136,40
16	102913	R401 PANEL KEY	0,80
17	102911	R301U (C) PCB SUPPORT	3,30
18	117703	R301U (C) PCB KEY	0,55
19	39126	BLIXER 4 3 PHASE SWITCH ASS + NAME PLATE	78,00
20	407842	BLIXER4 TRI FRONT PLATE	7,90
21	117805	R502A/602A SPEED SWITCH HANDLE	7,70
22	117792	R502A/602A SPEED SWITCH	7,70
23	29441	R301 ULTRA B REED SWITCH ASS	10,45
24	102382	BLIXER 3 BOWL SCRAPER N/S	2,10
25	104122	R401 VENT COVER	3,75
26	102600	R502A/R602A PCB	130,25
27	117809	R502 PCB MOUNTING	5,10
28	104079	R402 MOTOR SHAFT WASHER	0,85
29	504282	R402 POWER CORD	31,35
30	39112	R402 BOTTOM CASE	41,40
31	101082	R201 RUBBER FOOT	1,05

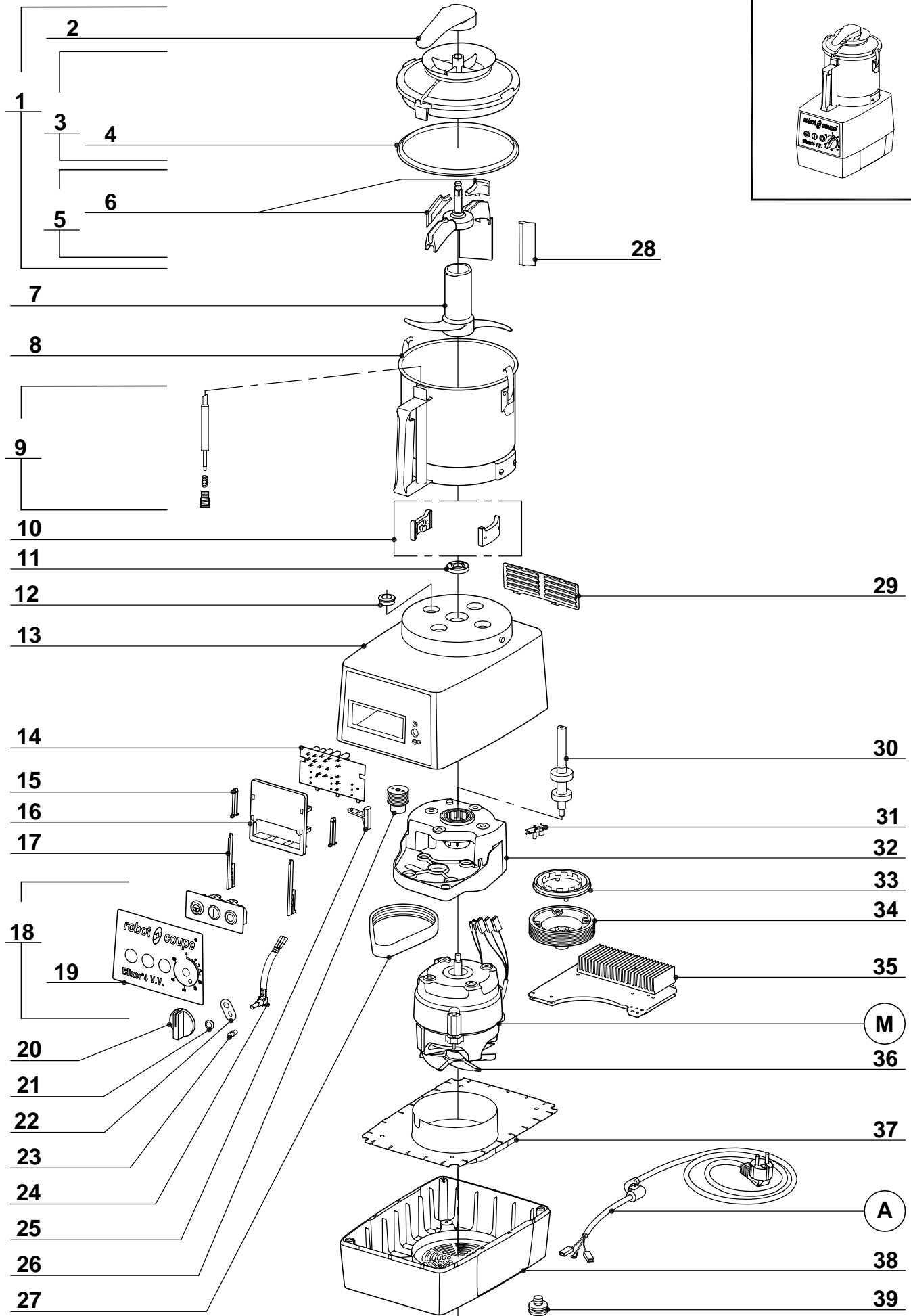
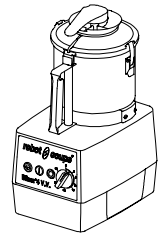
N°	M	Voltage	
33185	303149 305,10	400 / 50 / 3	
33187	303150 305,10	220 / 60 / 3	
33188	303151 305,10	380 / 60 / 3	
33189	303148 305,10	230 / 50 / 3	



- (A)** POWER CORD 2P+T AUST
- (M)** BLIXER 4 3000 MOTOR 240V 50HZ
- (P)** BLIXER 4 3000 SWITCH CONTROL PCB
- (X)** CAPACITOR
- (Y)** BLIXER 4 RELAY 2CR3 228

INDEX	REF.	DESIGNATION	Pricelist in : EUR
1	29488	COMPLETE LID ASS BLIXER3	134,60
2	29387	BLIXER 3 LID HANDLE N/S	22,20
3	29487	LID ASS BLIXER 3	66,55
4	101163	BLIXER 3 LID SEAL	27,15
5	29388	BLIXER 3 SCRAPER ARM ASS N/S	42,85
6	102138	BLIXER 3 LID SCRAPER N/S	2,60
7	27074	BLIXER 3 FINE SERRATED BLADE	See Price list
8	101555	BLIXER 4 BOWL STAINLESS STEEL	294,50
9	39225	R401 SAFETY ROD ASSY	Contact us
10	29081	R301U LOCK PLATE & SCREWS	12,40
11	117766	BLIXER 3+ DRIVE SHAFT	25,10
12	117623	BLIXER 4 DRIVE SHAFT COUPLING	9,55
13	501010	BLIXER 4 COUPLING SEAL 15X35X6	7,40
14	104070	R401 BOLT COVER	0,60
15	39191	BLIXER 4 TOP CASE	193,20
16	102913	R401 PANEL KEY	0,80
17	102911	R301U (C) PCB SUPPORT	3,30
18	117703	R301U (C) PCB KEY	0,55
19	104131	R401 PCB PROTECTOR	1,50
20	39192	BLIXER 4 3000 SWITCH ASS + NAME PLATE	78,00
21	407841	BLIXER 4 3000 NAME PLATE	7,90
22	29441	R301 ULTRA B REED SWITCH ASS	10,45
23	102382	BLIXER 3 BOWL SCRAPER N/S	2,10
24	104122	R401 VENT COVER	3,75
25	104080	BLIXER 4 3000 DRIVE SHAFT WASHER	0,85
26	39201	R401 BOTTOM CASE	41,40
27	101082	R201 RUBBER FOOT	1,05

N°	M	Voltage	A	P	X	Y	
33190	302034 414,05	230 / 50 / 1	504274 10,50	103695 79,30	502474 30,05	503092 23,50	
33192	302036 414,05	120 / 60 / 1	504277 10,50	103694 79,30	502732 12,35	508277 50,50	
33193	302035 414,05	220 / 60 / 1	504274 10,50	103695 79,30	502474 30,05	514030 48,45	



**(A)** POWER CORD 1,5 DK

**(M)** MOTOR

INDEX	REF.	DESIGNATION	Pricelist in : EUR
1	29488	COMPLETE LID ASS BLIXER3	134,60
2	29387	BLIXER 3 LID HANDLE N/S	22,20
3	29487	LID ASS BLIXER 3	66,55
4	101163	BLIXER 3 LID SEAL	27,15
5	29388	BLIXER 3 SCRAPER ARM ASS N/S	42,85
6	102138	BLIXER 3 LID SCRAPER N/S	2,60
7	27074	BLIXER 3 FINE SERRATED BLADE	See Price list
8	101555	BLIXER 4 BOWL STAINLESS STEEL	294,50
9	39225	R401 SAFETY ROD ASSY	Contact us
10	29081	R301U LOCK PLATE & SCREWS	12,40
11	501010	BLIXER 4 COUPLING SEAL 15X35X6	7,40
12	104070	R401 BOLT COVER	0,60
13	39122	BLIXER 4VV TOP CASE	193,20
14	102921	R302VV SWITCH CONTROL PCB	13,70
15	102913	R401 PANEL KEY	0,80
16	102911	R301U (C) PCB SUPPORT	3,30
17	117703	R301U (C) PCB KEY	0,55
18	39205	BLIXER 4VV SWITCH ASS + NAME PLATE	78,00
19	407843	BLIXER 4VV NAME PLATE	7,90
20	117073	R602VV SWITCH HANDLE	7,70
21	103308	R402VV NUT	0,80
22	101551	R402VV SPACER	2,45
23	102106	BUTEE POTENTIOMETRE	1,52
24	39202	R402VV POTENTIOMETER ASS	48,05
25	29441	R301 ULTRA B REED SWITCH ASS	10,45
26	102924	R402VV SMALL PULLEY	38,30
27	503940	R402VV DRIVE BELT	37,35
28	102382	BLIXER 3 BOWL SCRAPER N/S	2,10
29	104122	R401 VENT COVER	3,75
30	29605	BLIXER 4VV DRIVE SHAFT ASSEMBLY	80,25
31	102920	R402VV PCB SENSOR	17,90
32	104125	R402VV MOTOR COVER	35,55
33	102922	R402VV TOOTHED WHEEL	14,60
34	102923	R402VV LARGE PULLEY	44,05
35	102934	R302VV MOTOR FAN	5,25
36	102935	CL60 MAGNET ARM SUPPORT	463,90
37	104109	R402VV DEFLECTOR PLATE	9,00
38	39112	R402 BOTTOM CASE	41,40
39	101082	R201 RUBBER FOOT	1,05

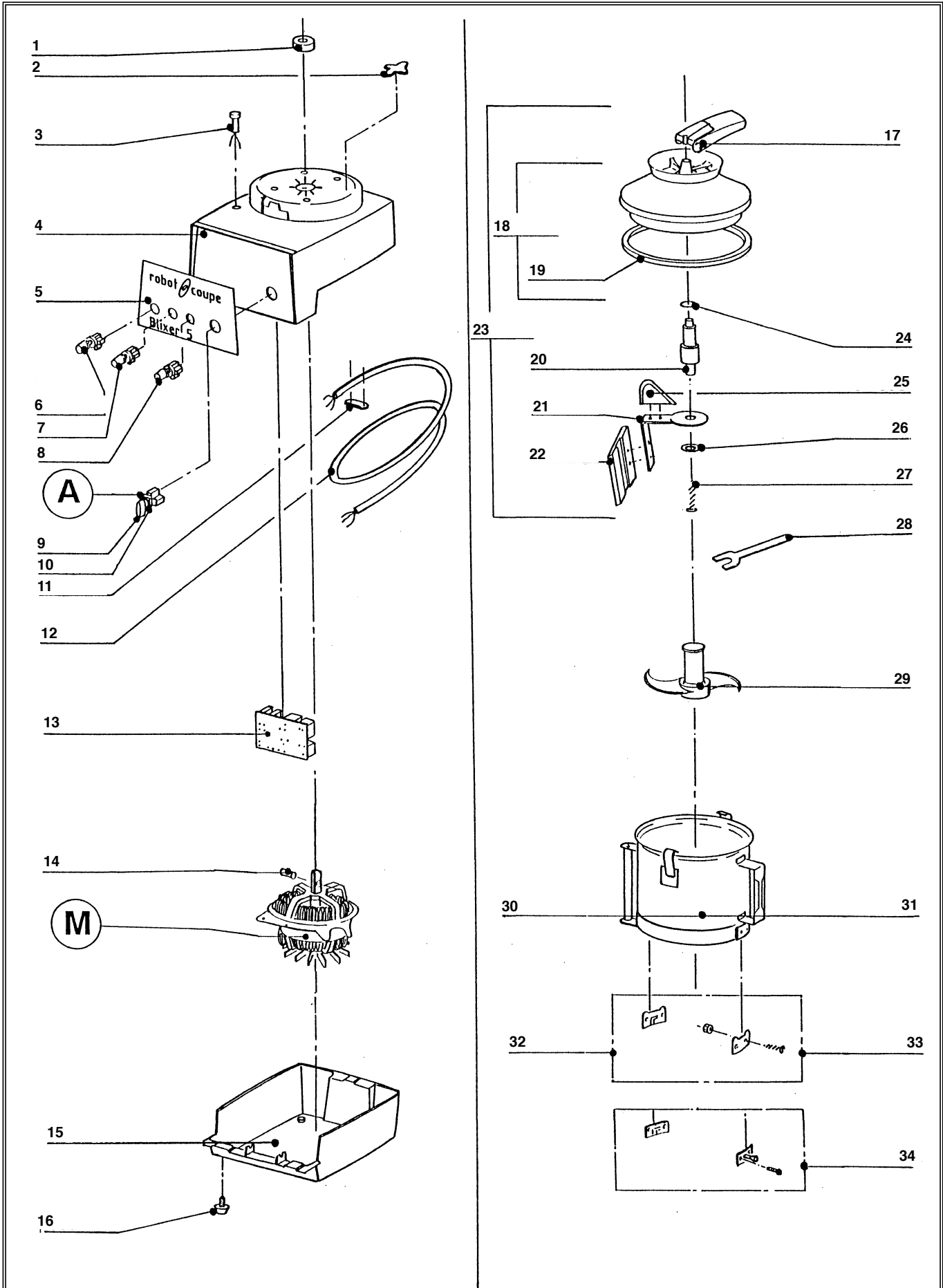
**robot coupe®**

**Blixer 4 V.V.**

**Pricelist in : EUR**

N°	M	Voltage	A	M	
33181	303076 375,75	200-230 / 50-60 / 1	504279 10,50	303076 375,75	





**(A)** COMMUTATOR ASS

**(M)** BLIXER 5 MOTOR 415V

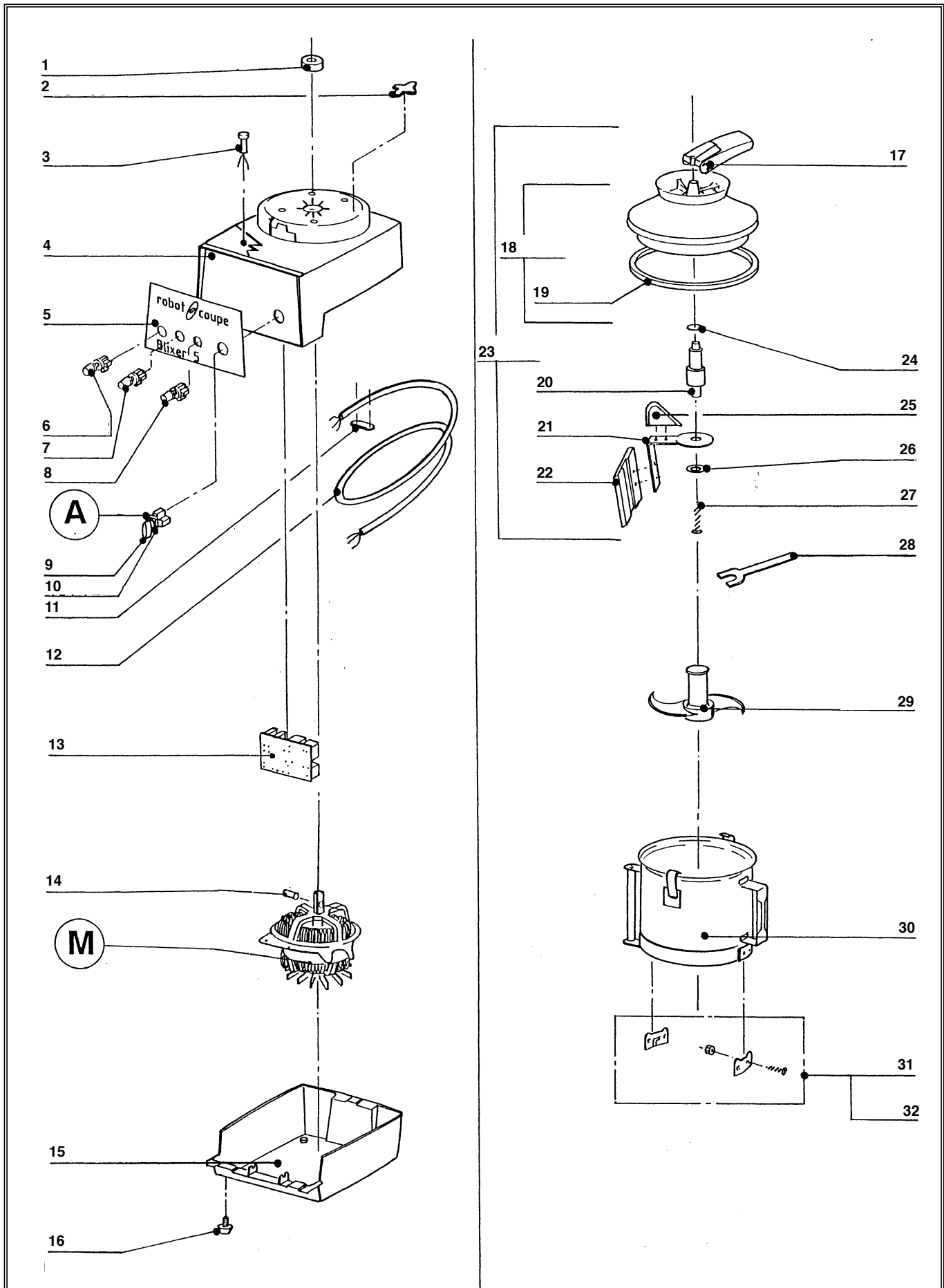
INDEX	REF.	DESIGNATION	Pricelist in : EUR
1	501624	R502/602 MOTOR SEAL	3,15
2	29238	R501U BOWL SHIM	6,20
3	29292	BLIXER 5 REED SWITCH ASSEMBLY	9,75
4	29259	MOTOR SUPPORT ASS	314,75
5	401166	BLIXER 5 NAME PLATE	9,50
6	500322	GREEN KNOB	32,90
7	500321	RED KNOB	32,90
8	500301	BLACK KNOB	31,85
9	501842	R8 SWITCH HANDLE	11,75
10	101722	BLIXER 5 COMMUTATOR SPACER	4,40
11	108515	POWER CORD CLIP	0,15
12	515570	POWER CORD	29,95
13	39013	R501Ua PCB	179,15
14	110308	R501U SHAFT PIN MOTOR	2,00
15	29280	BASE ASS	160,55
16	500247	R4 RUBBER FOOT	1,35
17	39028	HANDLE ASS	68,20
18	29281	BLIXER 5 LID & SEAL	60,80
19	101643	LID SEAL	27,40
20	101625	SCRAPER SHAFT	12,85
21	101652	SCRAPER ARM	48,20
22	101699	BLIXER 5 BOWL SCAPER	6,60
23	29311	BLIXER 5 LID COMPLETE	219,25
24	501196	DIAM.12X2 TORIC SEAL	0,70
25	101668	BLIXER 5 LID SCRAPER	6,15
26	207427	BLIXER 4 WASHER S/S	0,10
27	101775	BLIXER 5 SCRAPER ARM SCREW	1,70
28	501967	DISMOUNTING KEY	11,75
29	27075	BLIXER 5 BLADE	119,05
30	101608	CUTTER BOWL ASS	431,95
31	29320	BLIXER 5 BOWL STAINLESS STEEL	431,95
32	29101	R501Ua LOCK PLATE SMALL	12,40
33	29101	R501Ua LOCK PLATE SMALL	12,40
34	29315	R501Ua S/S BOWL LOCK PLATE LARGE	12,45

*robot coupe*

**Blixer 5**

Pricelist in : EUR

N°	M	Voltage	A	
33103	301019 900,45	220 / 60 / 1	501840 56,45	



**(A)** COMMUTATOR ASS

**(M)** MOTOR

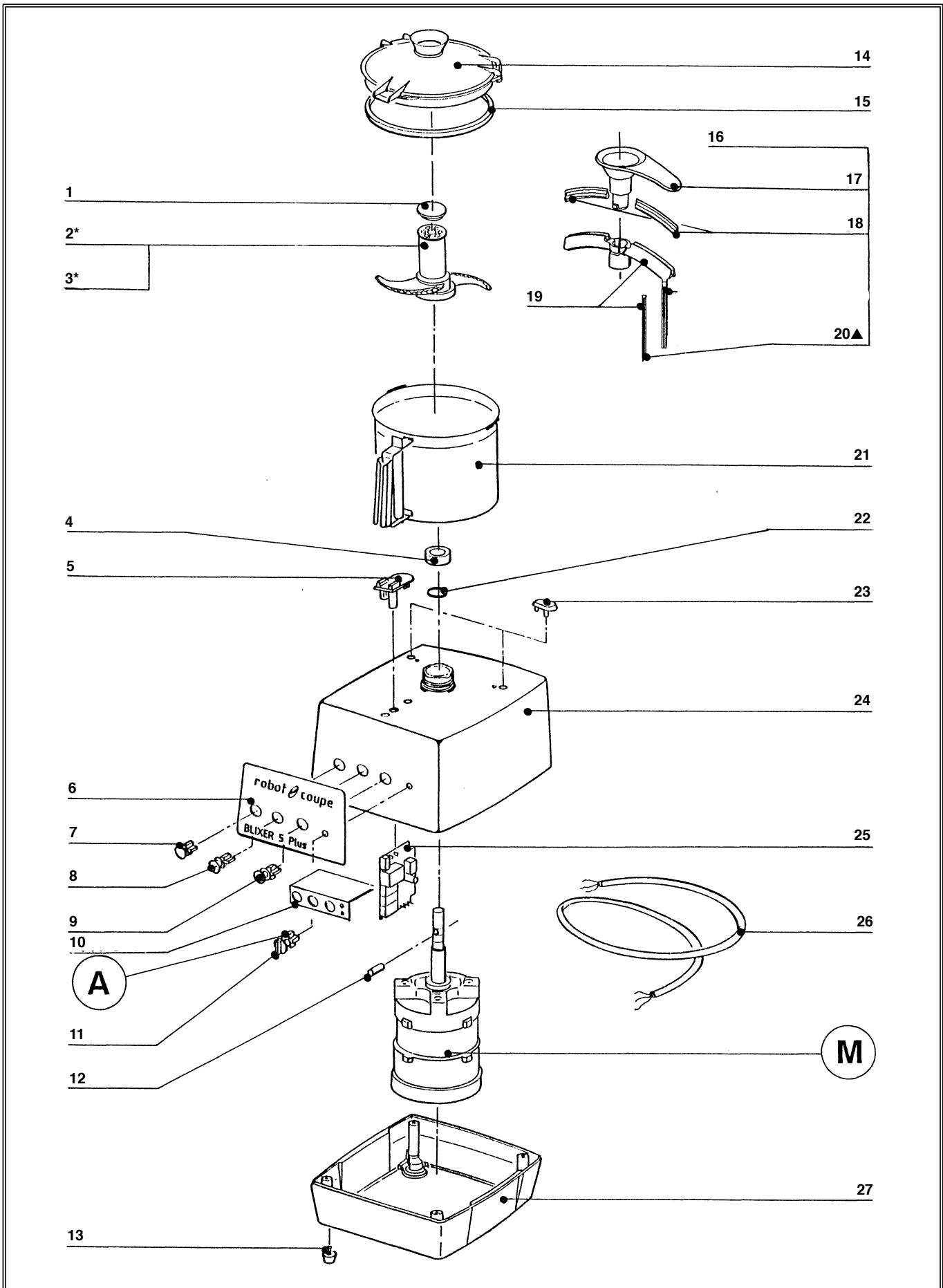
INDEX	REF.	DESIGNATION	Pricelist in : EUR
1	501624	R502/602 MOTOR SEAL	3,15
2	29238	R501U BOWL SHIM	6,20
3	29292	BLIXER 5 REED SWITCH ASSEMBLY	9,75
4	29297	MOTOR SUPPORT ASS	314,75
5	401166	BLIXER 5 NAME PLATE	9,50
6	500322	GREEN KNOB	32,90
7	500321	RED KNOB	32,90
8	500301	BLACK KNOB	31,85
9	501842	R8 SWITCH HANDLE	11,75
10	101722	BLIXER 5 COMMUTATOR SPACER	4,40
11	108515	POWER CORD CLIP	0,15
12	515570	POWER CORD	29,95
13	39013	R501Ua PCB	179,15
14	110308	R501U SHAFT PIN MOTOR	2,00
15	29280	BASE ASS	160,55
16	500247	R4 RUBBER FOOT	1,35
17	39028	HANDLE ASS	68,20
18	29281	BLIXER 5 LID & SEAL	60,80
19	101643	LID SEAL	27,40
20	101625	SCRAPER SHAFT	12,85
21	101652	SCRAPER ARM	48,20
22	101699	BLIXER 5 BOWL SCAPER	6,60
23	29311	BLIXER 5 LID COMPLETE	219,25
24	501196	DIAM.12X2 TORIC SEAL	0,70
25	101668	BLIXER 5 LID SCRAPER	6,15
26	207427	BLIXER 4 WASHER S/S	0,10
27	101775	BLIXER 5 SCRAPER ARM SCREW	1,70
28	501967	DISMOUNTING KEY	11,75
29	27075	BLIXER 5 BLADE	119,05
30	29320	BLIXER 5 BOWL STAINLESS STEEL	431,95
31	29101	R501Ua LOCK PLATE SMALL	12,40
32	29315	R501Ua S/S BOWL LOCK PLATE LARGE	12,45

**robot coupe®**

**Blixer 5 "A"**

Pricelist in : EUR

N°	M	Voltage	A	
33104	301016 1 006,05	220-380 / 50 / 1	501841 56,45	
33105	301047 900,45	220 / 60 / 1	501840 56,45	
33106	301043 900,60	380 / 50 / 1	501840 56,45	



**(A)**

COMMUTATOR ASS

**(M)**

BLIXER 5 PLUS MOTOR 415V

INDEX	REF.	DESIGNATION	Pricelist in : EUR
1	117186	BLIXER 5 BLADE CAP	0,65
2	27155	BLIXER 5 PLUS BLADE	See Price list
3	27180	SERRATED BLADE BLIXER 5+	See Price list
4	501624	R502/602 MOTOR SEAL	3,15
5	29870	R2+/BX5+ CUT SWITCH ASSY	25,05
6	405590	FRONT PLATE	9,05
7	502175	R502/602 BLACK SWITCH	31,85
8	502174	R502/602 GREEN SWITCH TOP	31,85
9	502173	R502/R602 RED SWITCH	31,85
10	117528	MYLAR PROTEC.	1,50
11	117072	R302 PLUS/502 SPEED SWITCH HANDLE	7,70
12	110308	R501U SHAFT PIN MOTOR	2,00
13	101418	CL55 RUBBER FOOT	1,15
14	29341	R602VV LID CUTTING	74,80
15	117100	R502/602 LID SEAL	19,15
16	29373	BLIXER 5 PLUS PADDLE ASS N/S	63,75
17	117187	BLIXER 6VV SCRAPER HANDLE	22,20
18	117192	BLIXER 6VV LID SCRAPER	2,60
19	29468	BLIXER 5 PLUS SCRAPER ARM	16,20
20	117651	BLIXER 5 PLUS BOWL SCRAPER	2,60
21	117196	BLIXER 5 PLUS BOWL S/S	414,50
22	502670	SEAL	0,50
23	29336	R502/602 BOWL SUPPORT	16,35
24	29371	MOTOR SUPPORT ASS	309,35
25	102099	R602/502 PCB 415V	130,25
26	502067	POWER CORD	29,95
27	29340	R502/602 BOTTOM CASE	180,15

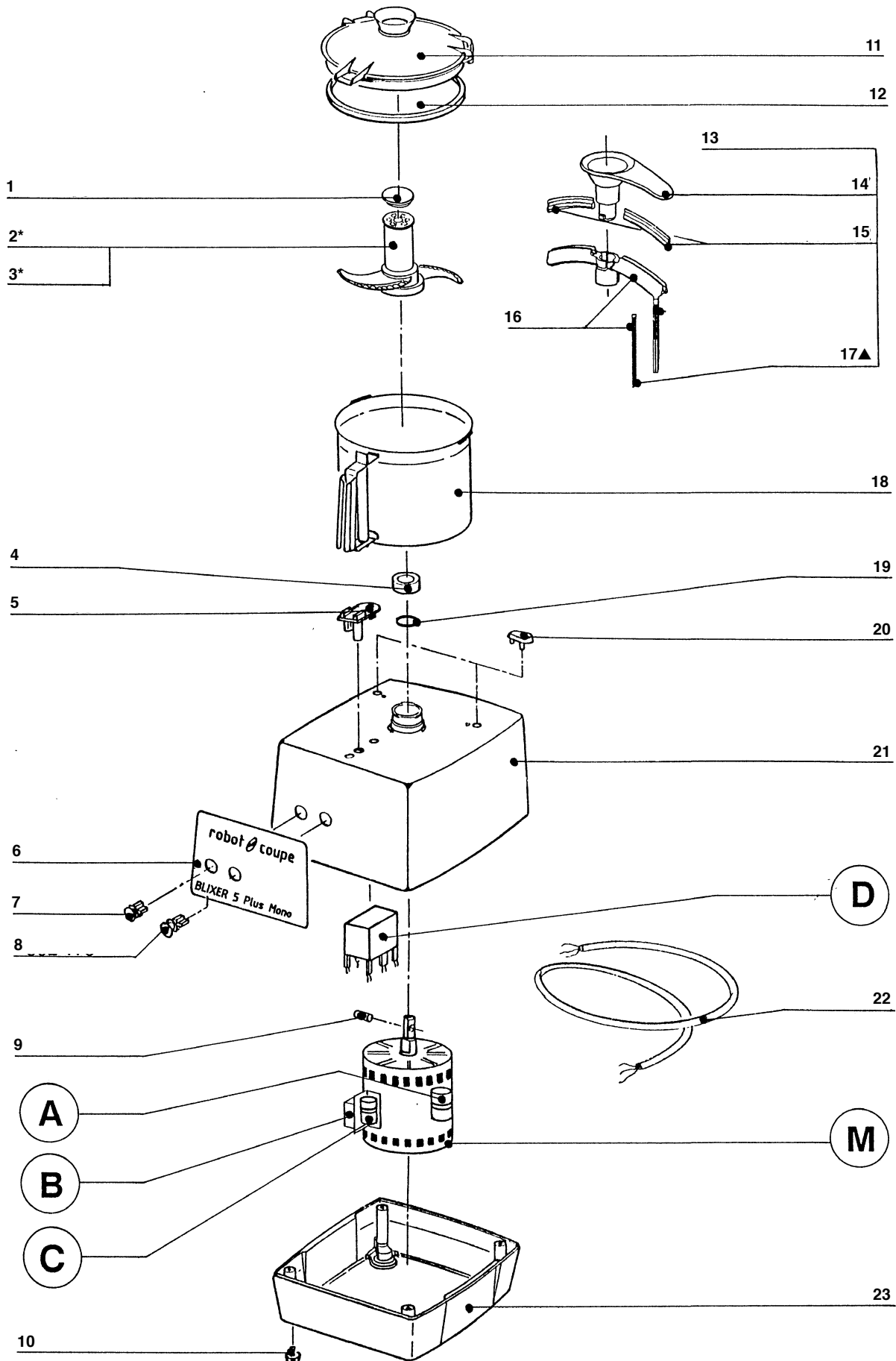


**robot coupe®**

## Blixer 5 Plus tri

Pricelist in : EUR

N°	M	Voltage	A	
33110	303013 900,60	380 / 50 / 3	501840 56,45	
33112	303012 1 006,05	230/400 / 50 / 3	501841 56,45	
33113	303011 900,60	220 / 60 / 3	501840 56,45	
33116	301063 1 153,40	380 / 60 / 3	501840 56,45	



- (A)** CONTINUOUS CAPACITOR
- (B)** 230V RELAY
- (C)** R501 CAPACITOR 80mF
- (D)** 220V / 60 RELAY
- (M)** MOTOR

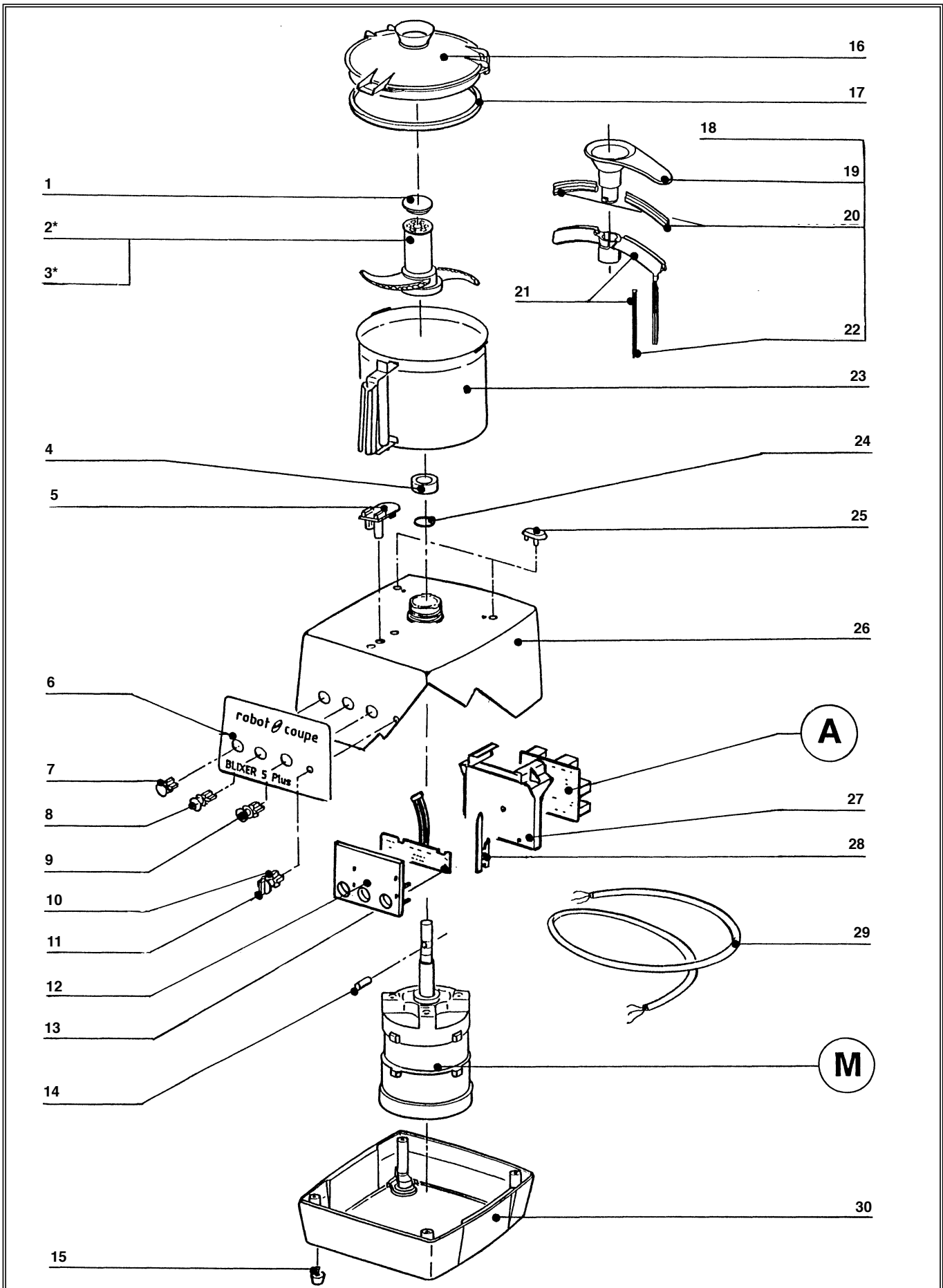
INDEX	REF.	DESIGNATION	Pricelist in : EUR
1	117186	BLIXER 5 BLADE CAP	0,65
2	27155	BLIXER 5 PLUS BLADE	See Price list
3	27180	SERRATED BLADE BLIXER 5+	See Price list
4	501624	R502/602 MOTOR SEAL	3,15
5	117136	SAFETY SWITCH ASSY	25,05
6	405645	FRONT PLATE BLIXER 5+/1	9,05
7	502174	R502/602 GREEN SWITCH TOP	31,85
8	502173	R502/R602 RED SWITCH	31,85
9	110308	R501U SHAFT PIN MOTOR	2,00
10	101418	CL55 RUBBER FOOT	1,15
11	29341	R602VV LID CUTTING	74,80
12	117100	R502/602 LID SEAL	19,15
13	29373	BLIXER 5 PLUS PADDLE ASS N/S	63,75
14	117187	BLIXER 6VV SCRAPER HANDLE	22,20
15	117192	BLIXER 6VV LID SCRAPER	2,60
16	29468	BLIXER 5 PLUS SCRAPER ARM	16,20
17	117651	BLIXER 5 PLUS BOWL SCRAPER	2,60
18	117196	BLIXER 5 PLUS BOWL S/S	414,50
19	502670	SEAL	0,50
20	29336	R502/602 BOWL SUPPORT	16,35
21	29385	MOTOR SUPPORT ASS	309,35
22	507321	2P+EARTH EUR POWER CORD	10,00
23	29340	R502/602 BOTTOM CASE	180,15

**robot coupe**

**Blixer 5 Plus mono**

**Pricelist in : EUR**

N°	M	Voltage	A	B	C	D	
33117	301068 874,25	220/240 / 50 / 1	501914 28,75	504127 24,05	502474 30,05	509124 42,75	
33118	301069 874,25	220 / 60 / 1	501915 28,75	504127 24,05	601140 8,45	500560 55,85	



**(A)** R502A/R602A PCB

**(M)** MOT R5A+/R6A 220/60

INDEX	REF.	DESIGNATION	Pricelist in : EUR
1	117186	BLIXER 5 BLADE CAP	0,65
2	27155	BLIXER 5 PLUS BLADE	See Price list
3	27180	SERRATED BLADE BLIXER 5+	See Price list
4	501624	R502/602 MOTOR SEAL	3,15
5	29586	R502D/R602D REED SWITCH HOLDER	25,05
6	405590	FRONT PLATE	9,05
7	502171	BLACK KNOB	12,45
8	502170	CL60 (D) GREEN LOW SPEED SWITCH TOP	12,45
9	502169	CL60 (D) RED SWITCH TOP	12,45
10	117792	R502A/602A SPEED SWITCH	7,70
11	117805	R502A/602A SPEED SWITCH HANDLE	7,70
12	29533	MOUNT SPACER FOR PCB	11,95
13	117813	BLIXER 5 PLUS SWITCH CONTROL PCB 415V	21,65
14	110308	R501U SHAFT PIN MOTOR	2,00
15	101418	CL55 RUBBER FOOT	1,15
16	29341	R602VV LID CUTTING	74,80
17	117100	R502/602 LID SEAL	19,15
18	29373	BLIXER 5 PLUS PADDLE ASS N/S	63,75
19	117187	BLIXER 6VV SCRAPER HANDLE	22,20
20	117192	BLIXER 6VV LID SCRAPER	2,60
21	29468	BLIXER 5 PLUS SCRAPER ARM	16,20
22	117651	BLIXER 5 PLUS BOWL SCRAPER	2,60
23	117196	BLIXER 5 PLUS BOWL S/S	414,50
24	502670	SEAL	0,50
25	29336	R502/602 BOWL SUPPORT	16,35
26	29371	MOTOR SUPPORT ASS	309,35
27	117809	R502 PCB MOUNTING	5,10
28	117703	R301U (C) PCB KEY	0,55
29	515570	POWER CORD	29,95
30	29620	R502A/R602A BOTTOM CASE PLASTIC	91,90

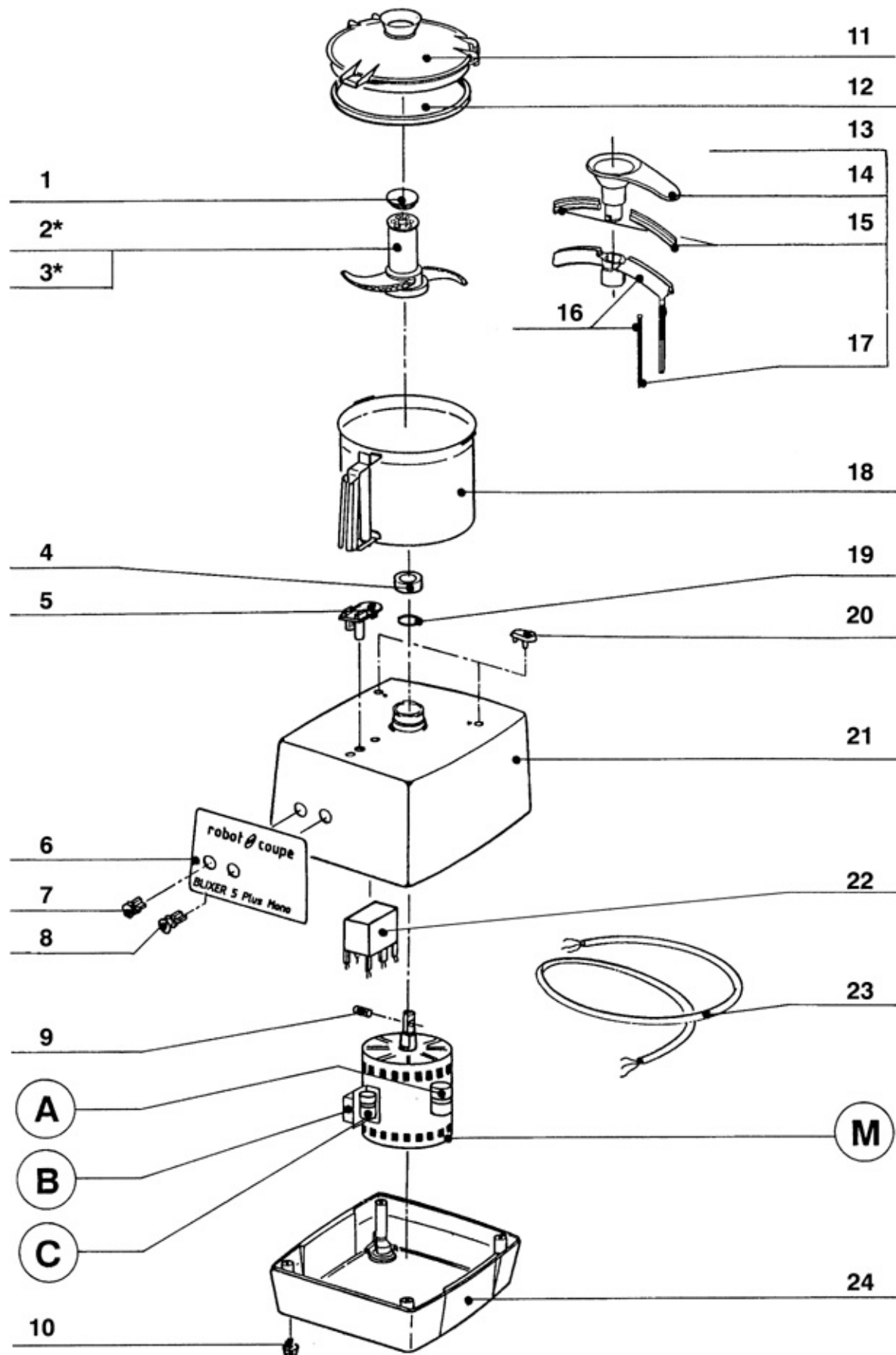
**robot coupe®**

**Blixer 5 "A" Plus tri**

**Pricelist in : EUR**

N°	M	Voltage	A	
33162	303058 900,60	220 / 60 / 3	102600 130,25	
33163	303060 900,60	380 / 60 / 3	102600 130,25	
33164	303048 900,60	380 / 50 / 3	102600 130,25	
33166	303114 943,00	230/400 / 50 / 3	112600 133,15	

# BLIXER 5 A Plus Monophasé





- (A)** CONTINUOUS CAPACITOR
- (B)** 230V RELAY
- (C)** R501 CAPACITOR 80mF
- (M)** 220V / 60 RELAY

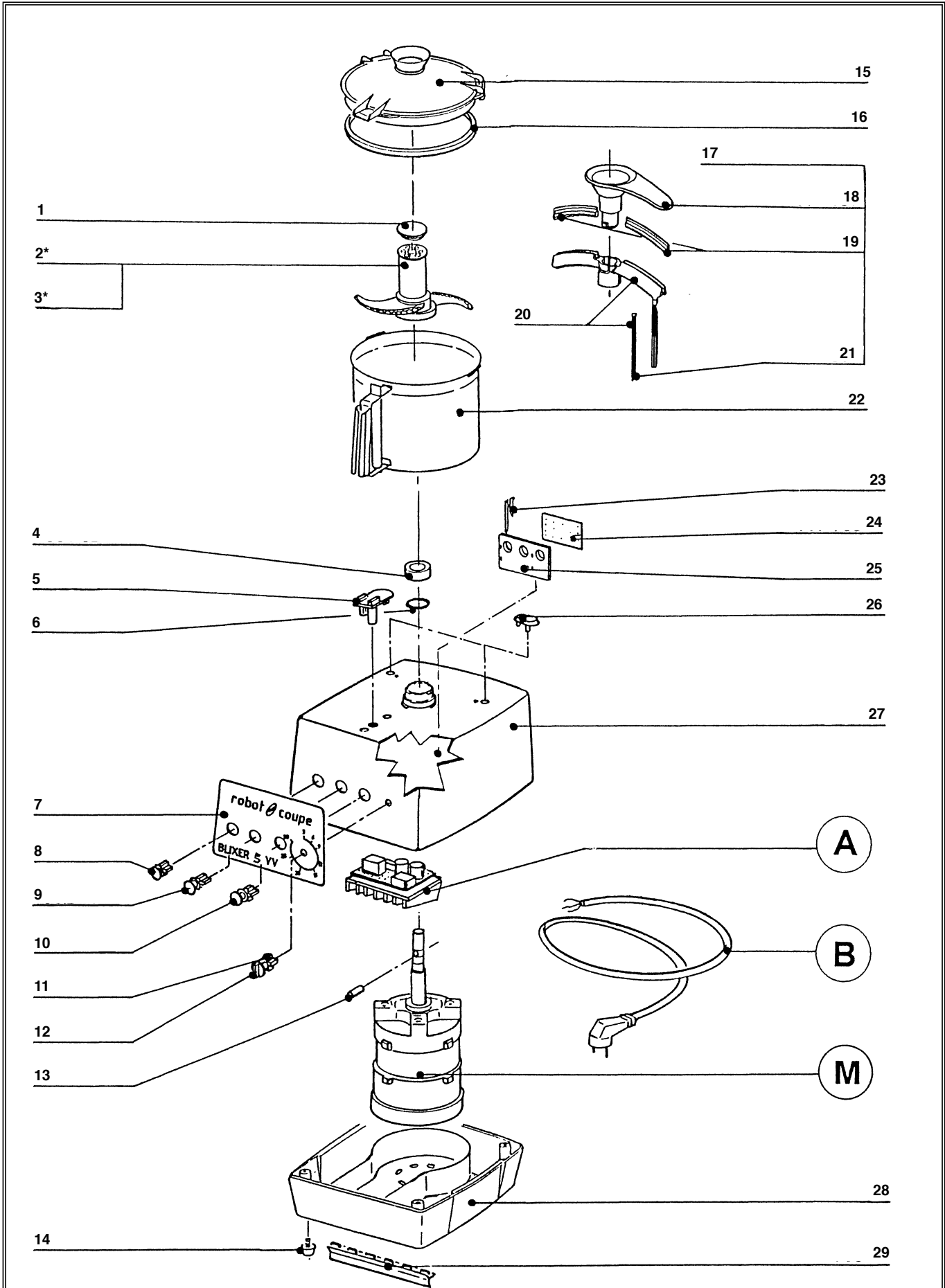
INDEX	REF.	DESIGNATION	Pricelist in : EUR
1	117186	BLIXER 5 BLADE CAP	0,65
2	27155	BLIXER 5 PLUS BLADE	See Price list
3	27180	SERRATED BLADE BLIXER 5+	See Price list
4	501624	R502/602 MOTOR SEAL	3,15
5	117136	SAFETY SWITCH ASSY	25,05
6	405645	FRONT PLATE BLIXER 5+/1	9,05
7	502174	R502/602 GREEN SWITCH TOP	31,85
8	502173	R502/R602 RED SWITCH	31,85
9	110308	R501U SHAFT PIN MOTOR	2,00
10	101418	CL55 RUBBER FOOT	1,15
11	29341	R602VV LID CUTTING	74,80
12	117100	R502/602 LID SEAL	19,15
13	29373	BLIXER 5 PLUS PADDLE ASS N/S	63,75
14	117187	BLIXER 6VV SCRAPER HANDLE	22,20
15	117192	BLIXER 6VV LID SCRAPER	2,60
16	29468	BLIXER 5 PLUS SCRAPER ARM	16,20
17	117651	BLIXER 5 PLUS BOWL SCRAPER	2,60
18	117196	BLIXER 5 PLUS BOWL S/S	414,50
19	502670	SEAL	0,50
20	29336	R502/602 BOWL SUPPORT	16,35
21	29385	MOTOR SUPPORT ASS	309,35
22	509124	CL401 MULTI-TERM. RELAY	42,75
23	507321	2P+EARTH EUR POWER CORD	10,00
24	29620	R502A/R602A BOTTOM CASE PLASTIC	91,90

**robot coupe®**

**Blixer 5 "A" Plus mono**

**Pricelist in : EUR**

N°	M	Voltage	A	B	C	
33160	301068 874,25	220/240 / 50 / 1	501914 28,75	504127 24,05	502474 30,05	
33161	500560 55,85	220 / 60 / 1	501915 28,75	504127 24,05	601140 8,45	



- (A)** 230/50-60/1 VARIATOR WITH FILTER
- (B)** POWER CORD
- (M)** R602VV MOTOR 240V 50HZ

INDEX	REF.	DESIGNATION	Pricelist in : EUR
1	117186	BLIXER 5 BLADE CAP	0,65
2	27155	BLIXER 5 PLUS BLADE	See Price list
3	27180	SERRATED BLADE BLIXER 5+	See Price list
4	501624	R502/602 MOTOR SEAL	3,15
5	29586	R502D/R602D REED SWITCH HOLDER	25,05
6	502670	SEAL	0,50
7	406280	BLIXER 5 VVA FRONT PLATE	9,05
8	502171	BLACK KNOB	12,45
9	502170	CL60 (D) GREEN LOW SPEED SWITCH TOP	12,45
10	502169	CL60 (D) RED SWITCH TOP	12,45
11	501947	R602VV SPEED SWITCH BLOCK	55,45
12	117073	R602VV SWITCH HANDLE	7,70
13	110308	R501U SHAFT PIN MOTOR	2,00
14	101418	CL55 RUBBER FOOT	1,15
15	29341	R602VV LID CUTTING	74,80
16	117100	R502/602 LID SEAL	19,15
17	29373	BLIXER 5 PLUS PADDLE ASS N/S	63,75
18	117187	BLIXER 6VV SCRAPER HANDLE	22,20
19	117192	BLIXER 6VV LID SCRAPER	2,60
20	29468	BLIXER 5 PLUS SCRAPER ARM	16,20
21	117651	BLIXER 5 PLUS BOWL SCRAPER	2,60
22	117196	BLIXER 5 PLUS BOWL S/S	414,50
23	117703	R301U (C) PCB KEY	0,55
24	117706	R602 V.V. SWITCHES BOARD	12,10
25	29533	MOUNT SPACER FOR PCB	11,95
26	29336	R502/602 BOWL SUPPORT	16,35
27	29596	MOTOR SUPPORT ASS	423,25
28	29581	R602VVA BOTTOM CASE PLASTIC	101,90
29	117705	R602VV AIR FLOW SEPERATOR	10,65

**robot coupe**

**Blixer 5 V.V. "A"**

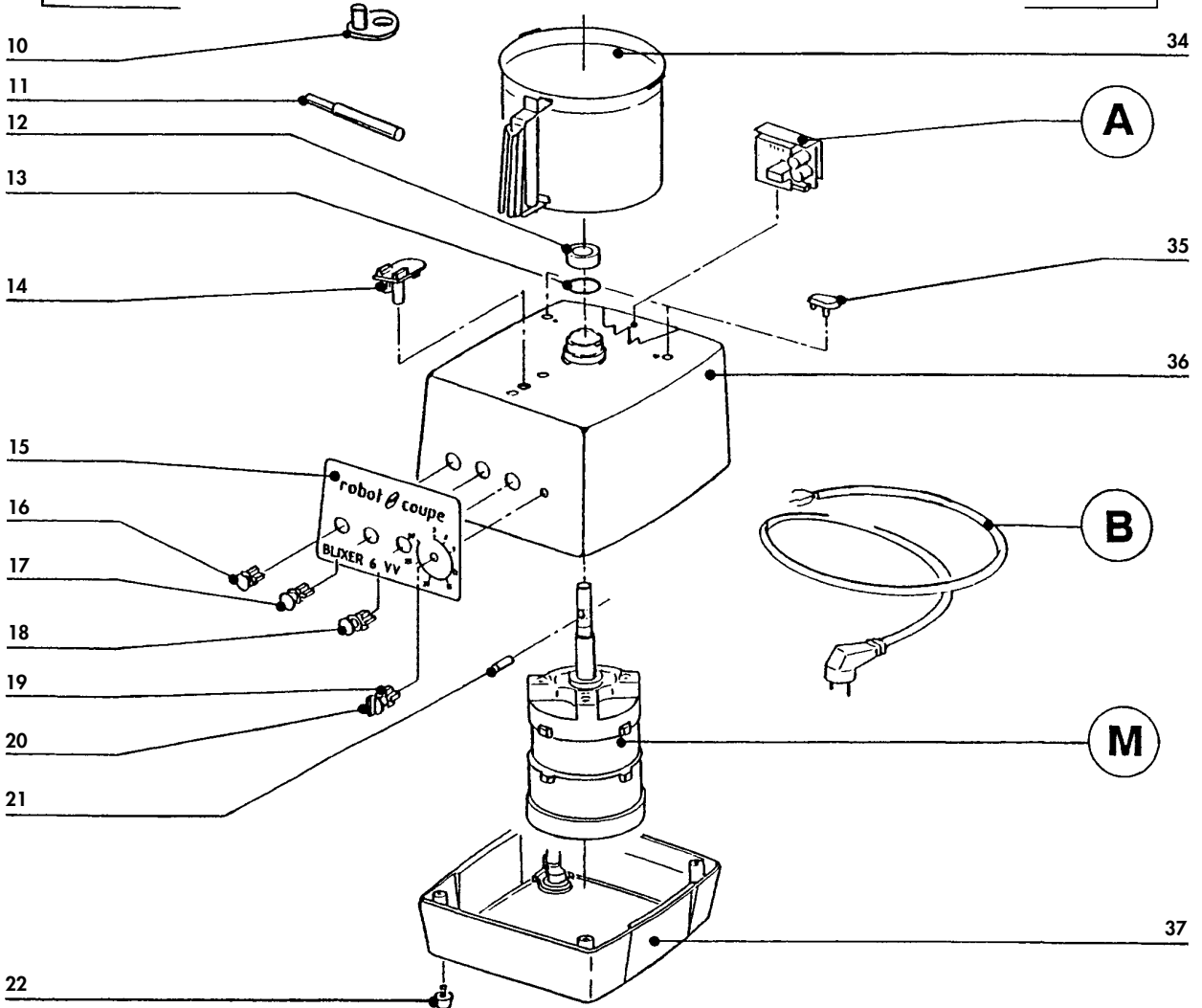
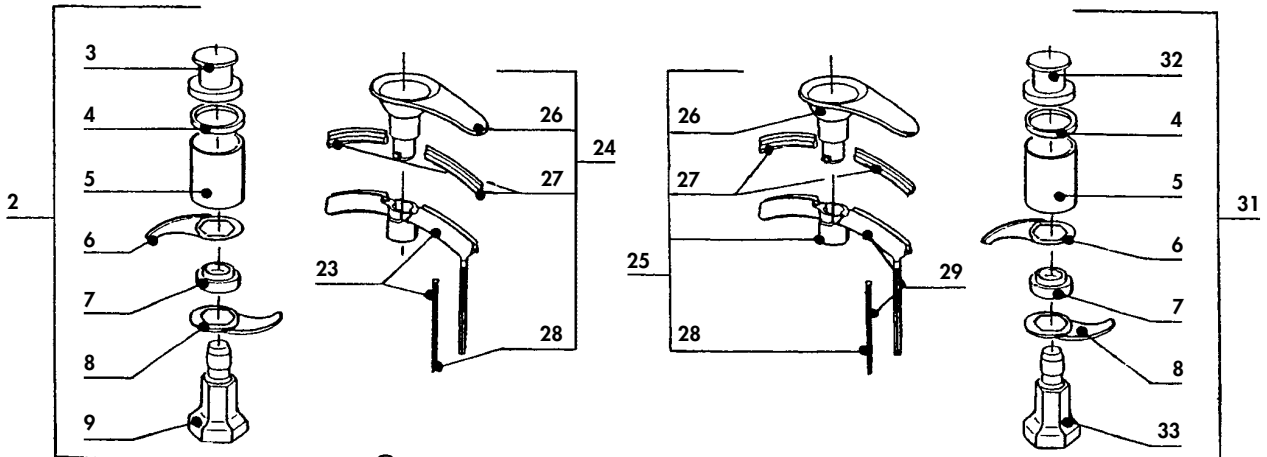
**Pricelist in : EUR**

N°	M	Voltage	A	B	
33171	303009 798,55	230 / 50 / 1	117710 694,35	503125 15,80	

1 30

N° DE SERIE / SERIAL NUMBER  
DE / FROM  
101/1/1 A/TO 101/1/199

N° DE SERIE / SERIAL NUMBER  
DE / FROM  
101/1/200...



- (A)** R602VV VARIATOR N/S
- (B)** 3X1,5<sup>2</sup> UK POWER CORD
- (M)** R602VV MOTOR 240V 50HZ

INDEX	REF.	DESIGNATION	Pricelist in : EUR
1	29341	R602VV LID CUTTING	74,80
2	27156	BLIXER 6VV BLADE ASSEMBLY	Contact us
3	117179	BLADE LOCKING NUT	52,15
4	117177	BLIXER 6VV 5mm BLADE SPACER	9,20
5	117176	ST.ST.RING 77 mm	19,70
6	117193	BLIXER 6 VV UPPER BLADE	See Price list
7	117178	LOWER SPACER	32,60
8	117194	BLIXER 6 VV LOWER BLADE	See Price list
9	117174	BLIXER 6VV BLADE SHAFT	125,45
10	117320	BLADE DISMANTLING TOOL	2,60
11	101845	R602/VV BLADE TOOL	6,15
12	501624	R502/602 MOTOR SEAL	3,15
13	502670	SEAL	0,50
14	29870	R2+/BX5+ CUT SWITCH ASSY	25,05
15	405591	FRONT PLATE	9,05
16	502175	R502/602 BLACK SWITCH	31,85
17	502174	R502/602 GREEN SWITCH TOP	31,85
18	502173	R502/R602 RED SWITCH	31,85
19	501947	R602VV SPEED SWITCH BLOCK	55,45
20	117073	R602VV SWITCH HANDLE	7,70
21	110308	R501U SHAFT PIN MOTOR	2,00
22	101418	CL55 RUBBER FOOT	1,15
23	29485	SCRAPPER	16,20
24	29374	SCRAPPER ASS AM	63,75
25	29415	BLIXER 6VV PADDLE ASS	63,75
26	117187	BLIXER 6VV SCRAPER HANDLE	22,20
27	117192	BLIXER 6VV LID SCRAPER	2,60
28	117652	BLIXER 6VV BOWL SCRAPER	2,60
29	29486	BLIXER 6VV SCRAPER ARM	16,20
30	117100	R502/602 LID SEAL	19,15
31	27169	BLADE KNIFE BLIXER 6VV	See Price list
32	117536	BLIXER 6 V,V, NM BLADE BOLT	52,15
33	117538	BLIXER 6 V,V, NM BLADE SUPPORT	125,45
34	117197	BLIXER 6VV BOWL S/S	526,80
35	29336	R502/602 BOWL SUPPORT	16,35
36	29372	MOTOR SUPPORT ASS	423,25
37	29352	BASE ASS	243,15

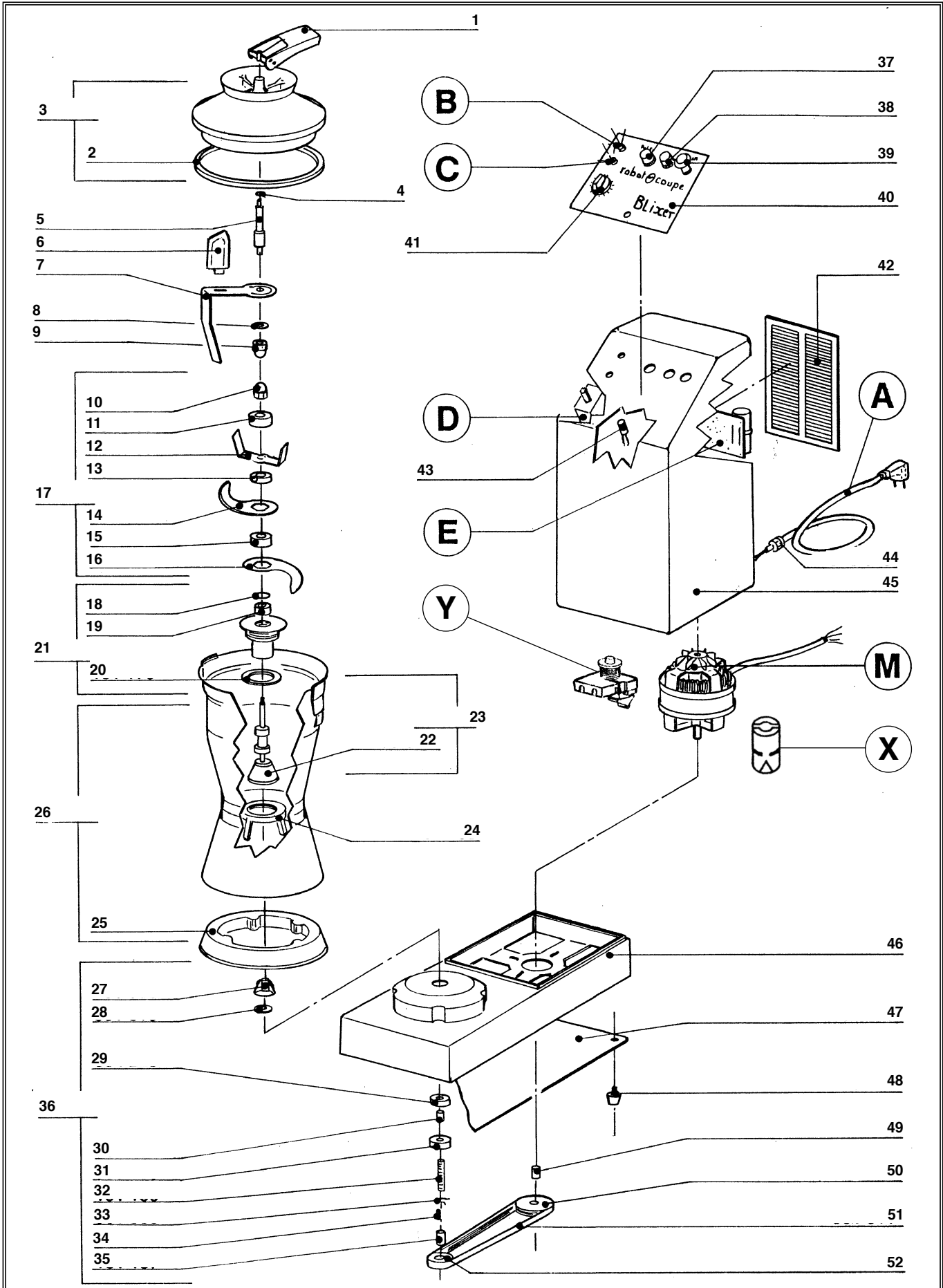
**robot coupe®**

**Blixer 6 V.V.**

**Pricelist in : EUR**

N°	M	Voltage	A	B	
33115	303009 798,55	220-240 / 50-60 / 1	117590 694,35	502688 12,10	





- (A)** POWER CORD
- (B)** BLIXER 4 RED INDICATOR
- (C)** BLIXER 4 GREEN INDICATOR
- (D)** BLIXER 4 TIMER
- (E)** BLIXER 4 P.C.B. 240V
- (M)** BLIXER 4 MOTOR 240V 50HZ
- (X)** BLIXER 250MF CAPACITOR
- (Y)** (M)Capacitor Relay

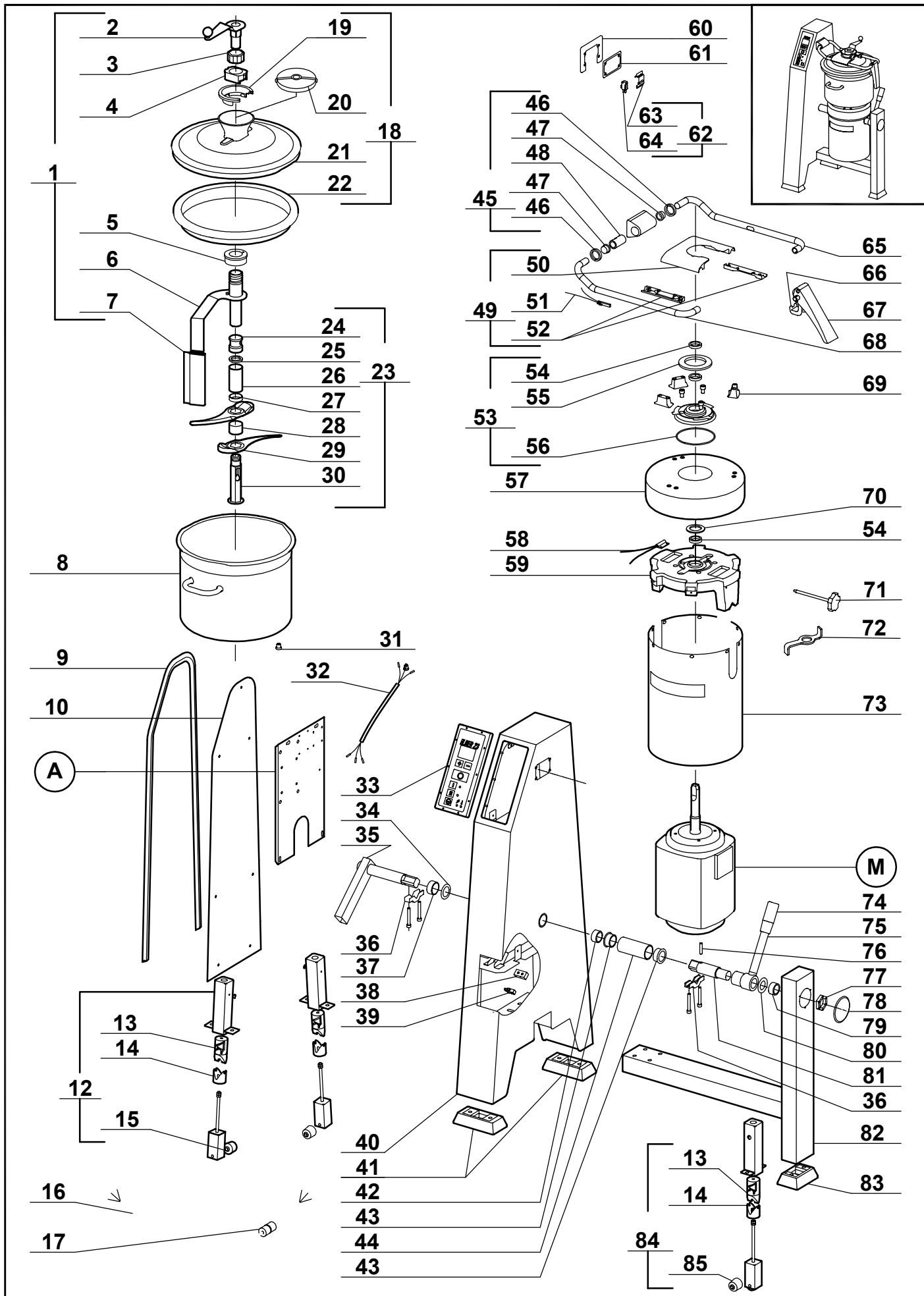
INDEX	REF.	DESIGNATION	Pricelist in : EUR
1	39028	HANDLE ASS	68,20
2	101163	BLIXER 3 LID SEAL	27,15
3	39033	BLIXER 4 LID & SEAL	55,75
4	501196	DIAM.12X2 TORIC SEAL	0,70
5	101164	BLIXER 4 SCRAPER SHAFT	35,45
6	101186	BLIXER 4 LID SCRAPER	16,65
7	101175	BLIXER 4 SCRAPER ARM	45,25
8	207427	BLIXER 4 WASHER S/S	0,10
9	206371	BLIXER 4 CAP NUT	1,40
10	206371	BLIXER 4 CAP NUT	1,40
11	101185	BLIXER 4 BLADE SPACER 12MM	8,90
12	101183	BLIXER 4 ANGLED BLADE	68,20
13	101184	BLIXER 4 BLADE SPACER 5MM	5,70
14	101182	BLIXER 4 BLADE CURVED	44,00
15	101185	BLIXER 4 BLADE SPACER 12MM	8,90
16	101182	BLIXER 4 BLADE CURVED	44,00
17	39030	BLIXER 4 BLADE ASSEMBLY	133,10
18	501004	BLIXER 4 PLASTIC SEAL	4,70
19	501005	SEAL RING	8,90
20	101170	BLIXER 4 SOCKET SEAL	5,70
21	39031	BLIXER 4 BEARING ASSEMBLY	131,90
22	100671	BLIXER 4 JUG COUPLING	34,30
23	39032	BLIXER 4 BLADE SHAFT ASSEMBLY	151,40
24	101159	BLIXER 4 BLADE LOCK NUT	36,75
25	101155	BLIXER 4 JUG STABILISER RING	23,75
26	39029	BOWL	363,75
27	100589	BLIXER 4 DRIVE COUPLING	24,85
28	501010	BLIXER 4 COUPLING SEAL 15X35X6	7,40
29	504229	R2 BEARING 6002	8,05
30	101151	BRACE 15*34	11,55
31	500709	BEARING 6202	29,05
32	101150	SHAFT	89,75
33	501009	BLIXER 4 CIRCLIP	0,85
34	501180	PIN	0,90
35	101187	BLIXER 4 SPACER 15X10	5,70
36	39027	TRANSMISSION SHAFT ASS	128,20
37	500301	BLACK KNOB	31,85
38	500322	GREEN KNOB	32,90
39	500300	CL50 RED SWITCH ASSEMBLY	31,85
40	400443	FRONT PLATE	16,65
41	501006	BLIXER 4 TIMER KNOB	1,50
42	101169	VENT COVER	29,90
43	29053	C80A 60/1 REED SWITCH	5,30
44	515515	CL60 CABLE GROMMET	3,45
45	101154	CASE	444,25
46	101148	BASE	249,00
47	101149	BASE PROTECTION	36,15
48	500247	R4 RUBBER FOOT	1,35
49	101188	BLIXER 4 SPACER 15X14	5,70
50	101153	PULLEY D70	78,15
51	501011	BLIXER 4 DRIVE BELT	42,80

**robot coupe®**

## Blixer

Pricelist in : EUR

N°	M	Voltage	A	B	C	D	E	X	Y	
33005	301022 383,30	115 / 60 / 1	500897 11,80	501261 6,75	501260 Contact us	500928 29,30	39026 36,95	501263 34,95	506176 32,85	



**(A)** PCB R23/R30 COMMUTABLE

**(M)** MOTOR

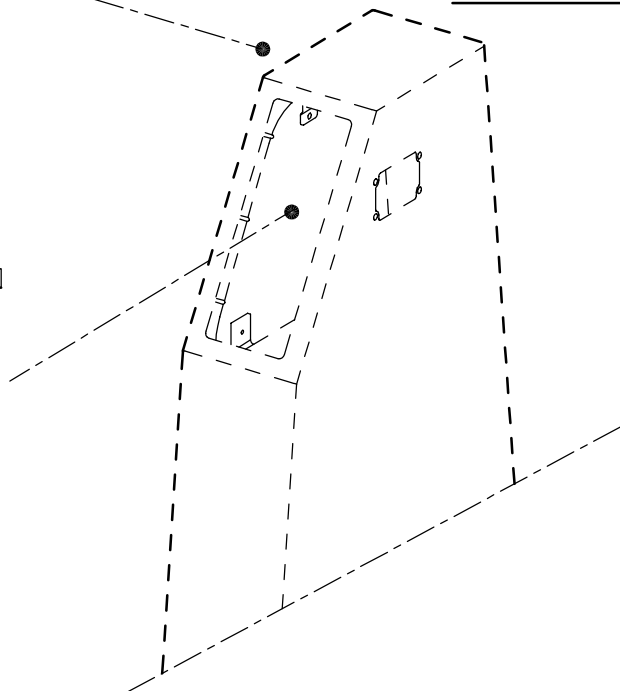
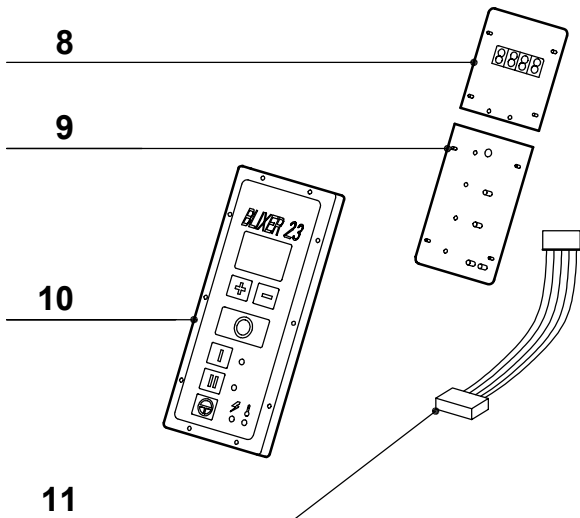
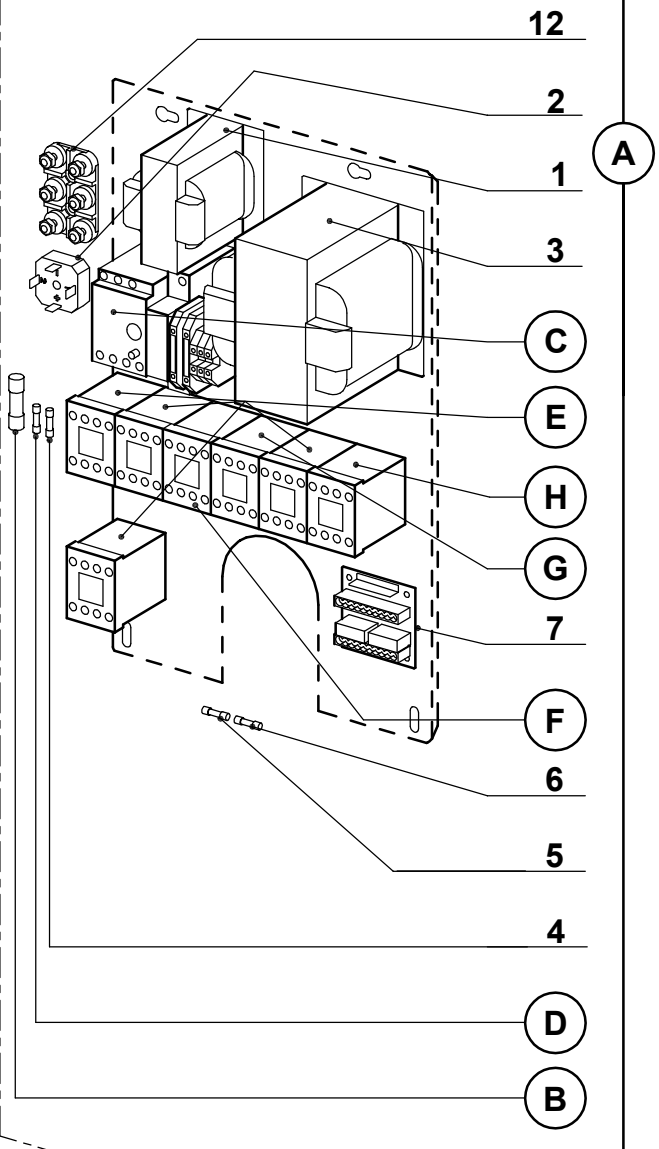
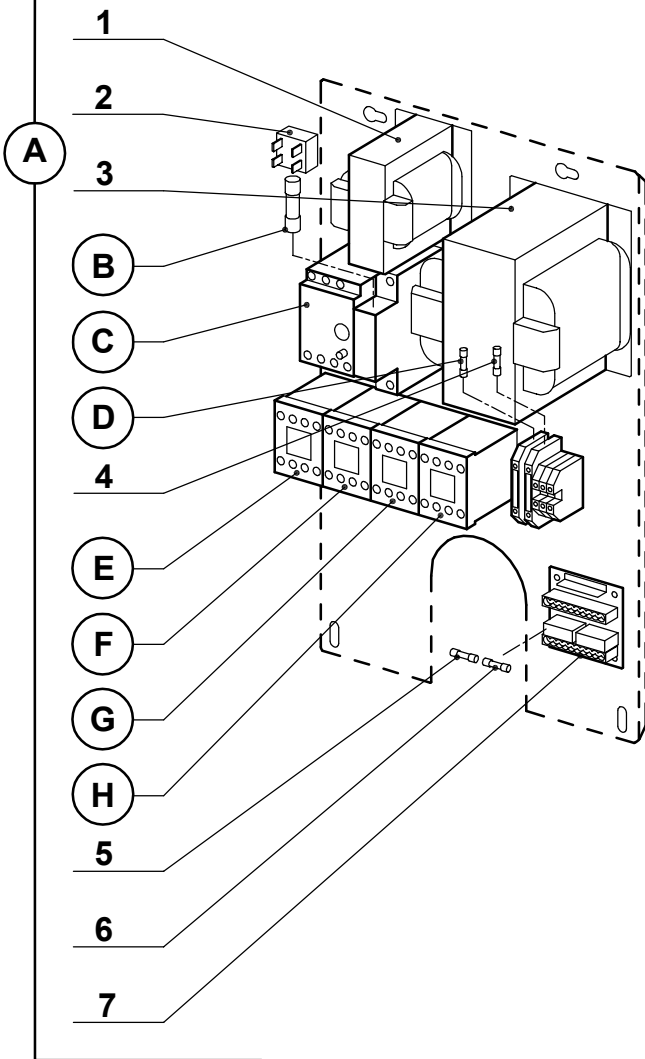
INDEX	REF.	DESIGNATION	Pricelist in : EUR
1	59171	BLIXER BOWL SCRAPER ASSY	668,95
2	59166	R45 BLIXER HANDLE ASSEMBLY	167,00
3	118227	LID WIPER NUT	3,80
4	118498	BLIXER HANDLE/PADDLE SUPPORT GUIDE	79,25
5	118453	BLIXER 45 SPACER	30,85
6	118576	BLIXER 23 ARM	377,25
7	118487	BLIXER 23/30 BOWL SCRAPER	13,05
8	59155	R23 BOWL	459,10
9	118256	CASING ACCESS DOOR SEAL	22,90
10	117935	CASING ACCESS DOOR	168,15
12	57052	R23-R60 RETRACTABLE WHEELS	200,35
13	118232	CASTOR UPPER CAM	24,55
14	118233	CASTOR LOWER CAM	17,95
15	118237	ROULETTE INCLINEE	12,55
16	502686	POWER CORD	85,60
17	515515	CL60 CABLE GROMMET	3,45
18	59153	R23 LID ASSEMBLY	149,00
19	118100	R30 LID CENTRE SUPPORT SEAL	9,60
20	118573	R23-R60 LID CAP	27,75
21	118177	R23 LID PLASTIC	102,60
22	118239	R23 LID SEAL	54,10
23	57071	BLIXER 23 SERRATED (2) BLADE ASSEMBLY	See Price list
24	118202	R30 SHAFT CAP	78,15
25	118203	PLASTIC WASHER	6,50
26	119131	81 MM BLADE SPACER	50,75
27	118201	10mm BLADE SPACER	15,95
28	118200	32mm BLADE SPACER	25,40
29	118291	BLIXER 23 FINE SERRATED (1) BLADE	See Price list
30	117930	R30 BLADE SHAFT	107,65
31	118171	SAFETY PLUG	7,85
32	118127	SAFETY WIRING	5,40
33	59157	Switch Panel 6 Touch Pads	176,50
34	118147	BACK THRUST WASHER	18,40
35	59156	R23 BACK TILTING PIVOT ASSY	96,70
36	118218	TILTING AXE STAPLE	13,30
37	118146	BACK TILTING PIVOT SPACER	22,10
38	117959	TILTING THRUST	19,10
39	507007	MP450/550 MICROSWITCH	2,40
40	117934	CASING	727,50
41	118186	CASING FOOT	21,80
42	118148	BACK BEARING BUSH	2,45
43	118150	SLEEVE BUSH	2,65
44	118156	R23 87mm SLEEVE	19,10
45	59128	HINGE ASSEMBLY	146,25
46	501424	SEALING RING 20X30	2,55
47	118126	BUSH	0,75
48	118253	R45 LID SWITCH CAM	3,15
49	59130	LID SUPPORT ASSEMBLY	176,65
50	118101	R23-R60 LID SUPPORT	152,80
51	118132	R30 LID REED SWITCH	10,95
52	59131	ARM CLIP ASSEMBLY	13,10
53	59133	R23/R30 MOTOR SEAL SOCKET ASSEMBLY	174,00
54	501105	R30 SEAL 30X40X7	2,45
55	118153	BOWL SEAL	8,70
56	507050	O RING	3,15
56	118178	R30 LID PLASTIC ONLY	111,20
57	118151	UPPER MOTOR COVER	79,85
58	118157	R30 BOWL REED SWITCH	9,75
59	59134	R30 MOTOR SUPPORT	317,45

INDEX	REF.	DESIGNATION	Pricelist in : EUR
60	118128	PLAQUE RENFORT CHARNIERE	11,20
61	118255	HINGE FLAT SEAL	2,45
62	59127	SAFETY SWITCH ASSEMBLY	18,60
63	118254	SWITCH SUPPORT	4,00
64	501258	SAFETY SWITCH	14,65
65	118104	RIGHT LID TUBE R20	41,55
66	118172	LID HOOK	47,30
67	59129	LID HANDLE ASSEMBLY	183,45
68	118105	LEFT LID TUBE R20	41,55
69	59165	BOWL THRUST ASSEMBLY	92,00
70	118155	R30 MOTOR DEFLECTOR	22,15
71	59950	PIN ASSEMBLY	9,45
72	118267	KNIFE TOOL	15,05
73	118296	BOTTOM MOTOR COVER	220,45
74	118142	R30 TILT ARM END COVER	5,65
75	59138	R30 TILT ARM	116,50
76	208582	R172 STAR WASHER N/A	6,65
77	118166	R30 HEX ADJUSTING NUT	14,40
78	117956	PLUG	14,90
79	118144	FRONT BEARING BUSH	2,45
80	118143	FRONT THRUST WASHER	2,45
81	59137	FRONT TILTING PIVOT ASSEMBLY	70,25
82	118189	R23 STAND	245,25
83	117958	STAND FOOT	21,80
84	57051	ENS ROULETTE AV VCM	200,35
85	118235	RIGHT CASTOR	12,55

N°	M	Voltage	A	
51052	303065 1 303,85	230-400 / 50 / 3	117990 756,55	
51053	303062 1 000,05	400 / 50 / 3	117987 582,20	
51054	303068 1 000,05	220 / 60 / 3	117989 773,15	

Monotension

Bitension



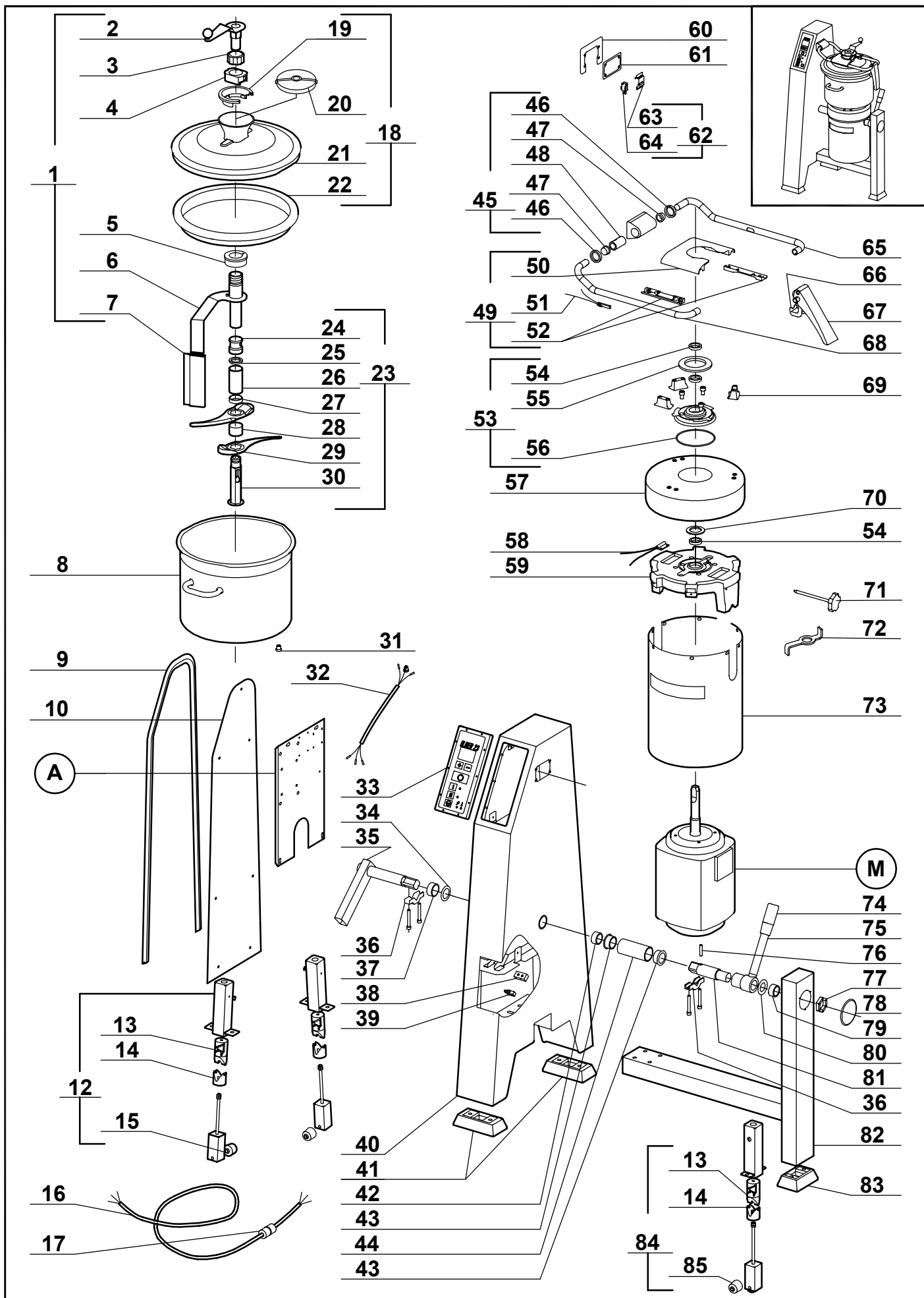


- (A)** PCB R23/R30 COMMUTABLE
- (B)** BREAK FUSE
- (C)** R30 THERMAL RELAY
- (D)** PRIMARY FUSE 48V
- (E)** COMMUTATION CONTACTOR
- (F)** HIGHT SPEED CONTACTOR
- (G)** (DA) Contactor, R30T
- (H)** (DA) Contactor, R30T

INDEX	REF.	DESIGNATION	Pricelist in : EUR
1	503352	TRANSFORMER 9/24V	41,15
2	511620	TRANSFORMER	29,30
3	503353	R30 TRANSFORMER 48V	95,60
4	500537	PRIMARY FUSE 9/24V	3,00
5	504253	SECONDARY FUSE 9V	3,75
6	503106	SECONDARY FUSE 24V	3,20
7	117980	R30 CONNECTION CARD	50,25
8	117999	TIMER CIRCUIT BOARD	79,20
9	117981	R30 PCB	137,60
10	59154	BLIXER 23 CONTROL PANEL ASSY	87,15
11	117982	R30 PCB CONNECTION CABLE	18,50
12	507167	COMMUTATION SUPPORT	68,57

N°	M	Voltage	A	B	C	D	E	F	G	
51052	303065 1 303,85	230-400 / 50 / 3	117990 756,55	503356 3,20	503376 51,55	503108 3,20	503364 44,60	503364 44,60	503362 66,75	
51053	303062 1 000,05	400 / 50 / 3	117987 582,20	503355 3,20	503354 35,65	500537 3,00	503361 24,35	503363 27,25	503363 27,25	
51054	303068 1 000,05	220 / 60 / 3	117989 773,15	503356 3,20	503376 51,55	503108 3,20	503364 44,60	503364 44,60	503364 44,60	

N°	M	Voltage	H	
51052	303065 1 303,85	230-400 / 50 / 3	503362 66,75	
51053	303062 1 000,05	400 / 50 / 3	503363 27,25	
51054	303068 1 000,05	220 / 60 / 3	503364 44,60	



**(A)** PCB R23/R30 COMMUTABLE

**(M)** MOTOR

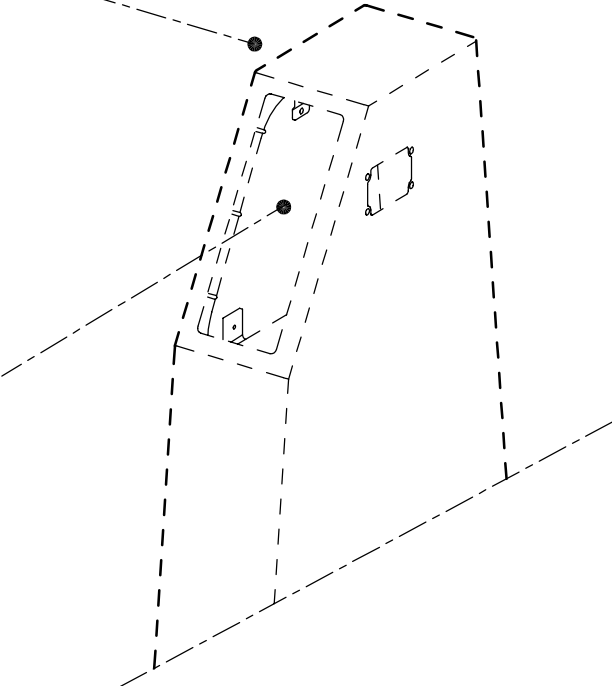
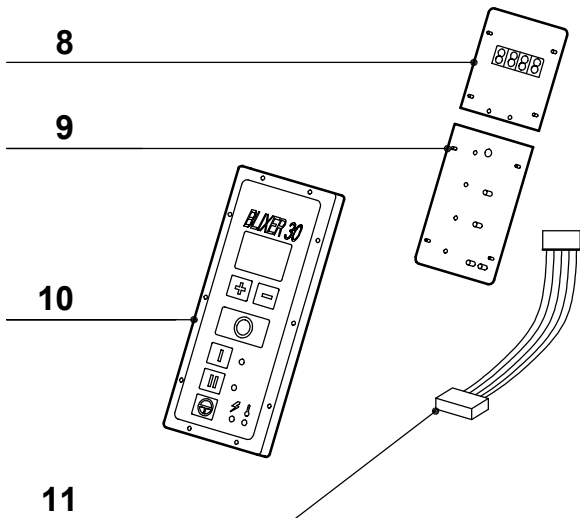
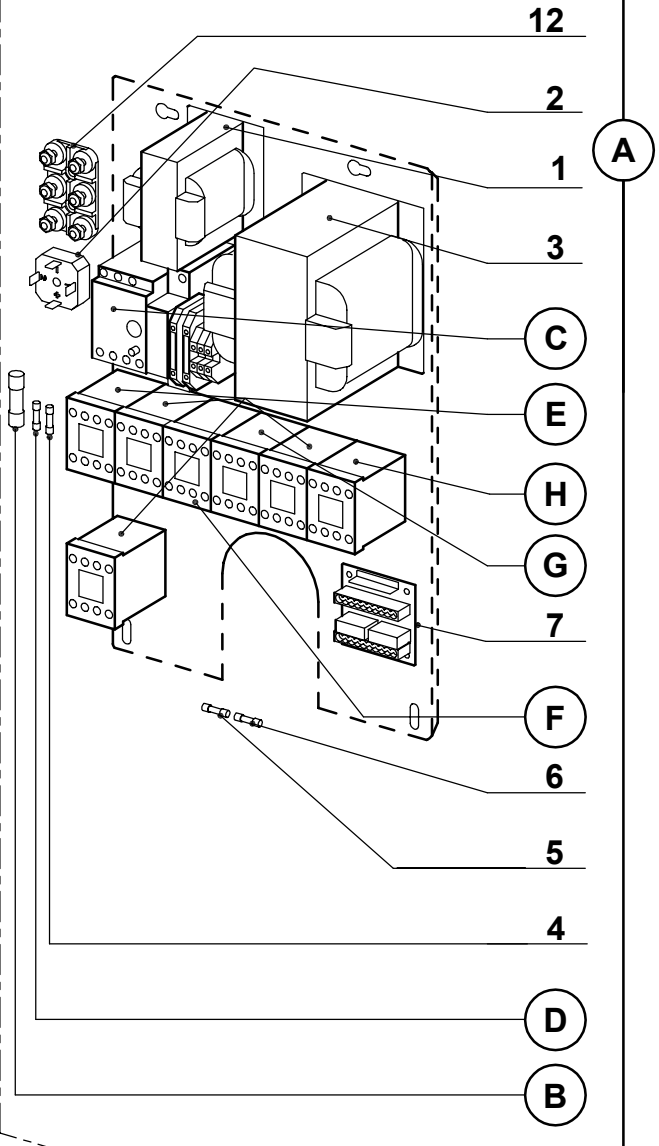
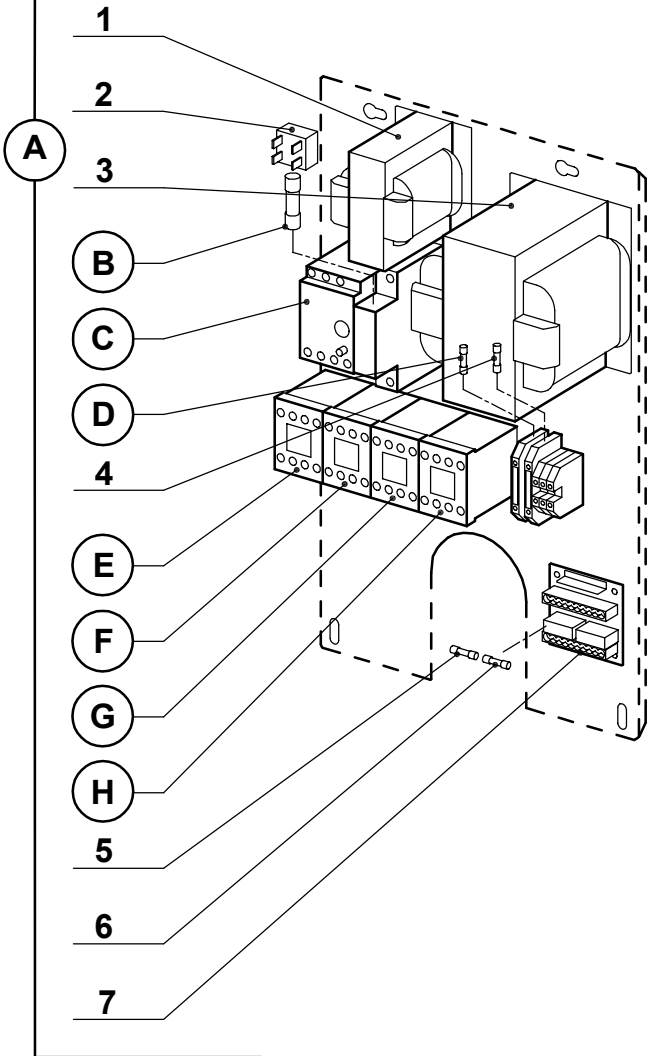
INDEX	REF.	DESIGNATION	Pricelist in : EUR
1	59172	R30 BLIXER BOWL PADDLE ASSEMBLY	702,40
2	59166	R45 BLIXER HANDLE ASSEMBLY	167,00
3	118227	LID WIPER NUT	3,80
4	118498	BLIXER HANDLE/PADDLE SUPPORT GUIDE	79,25
5	118453	BLIXER 45 SPACER	30,85
6	118577	BLIXER 30 ARM	396,15
7	118487	BLIXER 23/30 BOWL SCRAPPER	13,05
8	59132	R30 BOWL	553,15
9	118256	CASING ACCESS DOOR SEAL	22,90
10	117935	CASING ACCESS DOOR	168,15
12	57052	R23-R60 RETRACTABLE WHEELS	200,35
13	118232	CASTOR UPPER CAM	24,55
14	118233	CASTOR LOWER CAM	17,95
15	118237	ROULETTE INCLINEE	12,55
16	502686	POWER CORD	85,60
17	515515	CL60 CABLE GROMMET	3,45
18	59126	R30 LID ASSEMBLY	179,50
19	118100	R30 LID CENTRE SUPPORT SEAL	9,60
20	118573	R23-R60 LID CAP	27,75
21	118178	R30 LID PLASTIC ONLY	111,20
22	118133	R30 LID SEAL	58,85
23	57076	BLIXER 30 SERRATED (2) BLADE ASSEMBLY	See Price list
24	118202	R30 SHAFT CAP	78,15
25	118203	PLASTIC WASHER	6,50
26	119131	81 MM BLADE SPACER	50,75
27	118201	10mm BLADE SPACER	15,95
28	118200	32mm BLADE SPACER	25,40
29	118240	BLIXER 30 FINE SERRATED (1) BLADE	See Price list
30	117930	R30 BLADE SHAFT	107,65
31	118171	SAFETY PLUG	7,85
32	118127	SAFETY WIRING	5,40
33	59139	SWITCH PANEL 6 TOUCH PADS	176,50
34	118147	BACK THRUST WASHER	18,40
35	59135	BACK TILTING PIVOT ASSEMBLY	116,50
36	118218	TILTING AXE STAPLE	13,30
37	118146	BACK TILTING PIVOT SPACER	22,10
38	117959	TILTING THRUST	19,10
39	507007	MP450/550 MICROSWITCH	2,40
40	117934	CASING	727,50
41	118186	CASING FOOT	21,80
42	118148	BACK BEARING BUSH	2,45
43	118150	SLEEVE BUSH	2,65
44	118149	SLEEVE 107mm	23,00
45	59128	HINGE ASSEMBLY	146,25
46	118253	R45 LID SWITCH CAM	3,15
47	118126	BUSH	0,75
48	501424	SEALING RING 20X30	2,55
49	59130	LID SUPPORT ASSEMBLY	176,65
50	118101	R23-R60 LID SUPPORT	152,80
51	118132	R30 LID REED SWITCH	10,95
52	59131	ARM CLIP ASSEMBLY	13,10
53	59133	R23/R30 MOTOR SEAL SOCKET ASSEMBLY	174,00
54	501105	R30 SEAL 30X40X7	2,45
55	118153	BOWL SEAL	8,70
56	507050	O RING	3,15
57	118151	UPPER MOTOR COVER	79,85
58	118157	R30 BOWL REED SWITCH	9,75
59	59134	R30 MOTOR SUPPORT	317,45
60	118128	PLAQUE RENFORT CHARNIERE	11,20

INDEX	REF.	DESIGNATION	Pricelist in : EUR
61	118255	HINGE FLAT SEAL	2,45
62	59127	SAFETY SWITCH ASSEMBLY	18,60
63	118254	SWITCH SUPPORT	4,00
64	501258	SAFETY SWITCH	14,65
65	118106	RIGHT LID TUBE	50,05
66	118172	LID HOOK	47,30
67	59129	LID HANDLE ASSEMBLY	183,45
68	118107	LEFT LID TUBE	50,05
69	59165	BOWL THRUST ASSEMBLY	92,00
70	118155	R30 MOTOR DEFLECTOR	22,15
71	59950	PIN ASSEMBLY	9,45
72	118267	KNIFE TOOL	15,05
73	118296	BOTTOM MOTOR COVER	220,45
74	118142	R30 TILT ARM END COVER	5,65
75	59138	R30 TILT ARM	116,50
76	208582	R172 STAR WASHER N/A	6,65
77	118166	R30 HEX ADJUSTING NUT	14,40
78	117956	PLUG	14,90
79	118144	FRONT BEARING BUSH	2,45
80	118143	FRONT THRUST WASHER	2,45
81	59137	FRONT TILTING PIVOT ASSEMBLY	70,25
82	117936	STAND	295,40
83	117958	STAND FOOT	21,80
84	57051	ENS ROULETTE AV VCM	200,35
85	118235	RIGHT CASTOR	12,55

N°	M	Voltage	A	
52042	303065 1 303,85	230-400 / 50 / 3	117990 756,55	
52043	303062 1 000,05	400 / 50 / 3	117987 582,20	
52044	303068 1 000,05	220 / 60 / 3	117989 773,15	

Monotension

Bitension





- (A)** PCB R23/R30 COMMUTABLE
- (B)** BREAK FUSE
- (C)** R30 THERMAL RELAY
- (D)** PRIMARY FUSE 48V
- (E)** COMMUTATION CONTACTOR
- (F)** HIGHT SPEED CONTACTOR
- (G)** (DA) Contactor, R30T
- (H)** (DA) Contactor, R30T

INDEX	REF.	DESIGNATION	Pricelist in : EUR
1	503352	TRANSFORMER 9/24V	41,15
2	511620	TRANSFORMER	29,30
3	503353	R30 TRANSFORMER 48V	95,60
4	500537	PRIMARY FUSE 9/24V	3,00
5	504253	SECONDARY FUSE 9V	3,75
6	503106	SECONDARY FUSE 24V	3,20
7	117980	R30 CONNECTION CARD	50,25
8	117999	TIMER CIRCUIT BOARD	79,20
9	117981	R30 PCB	137,60
10	59154	BLIXER 23 CONTROL PANEL ASSY	87,15
11	117982	R30 PCB CONNECTION CABLE	18,50
12	507167	COMMUTATION SUPPORT	68,57

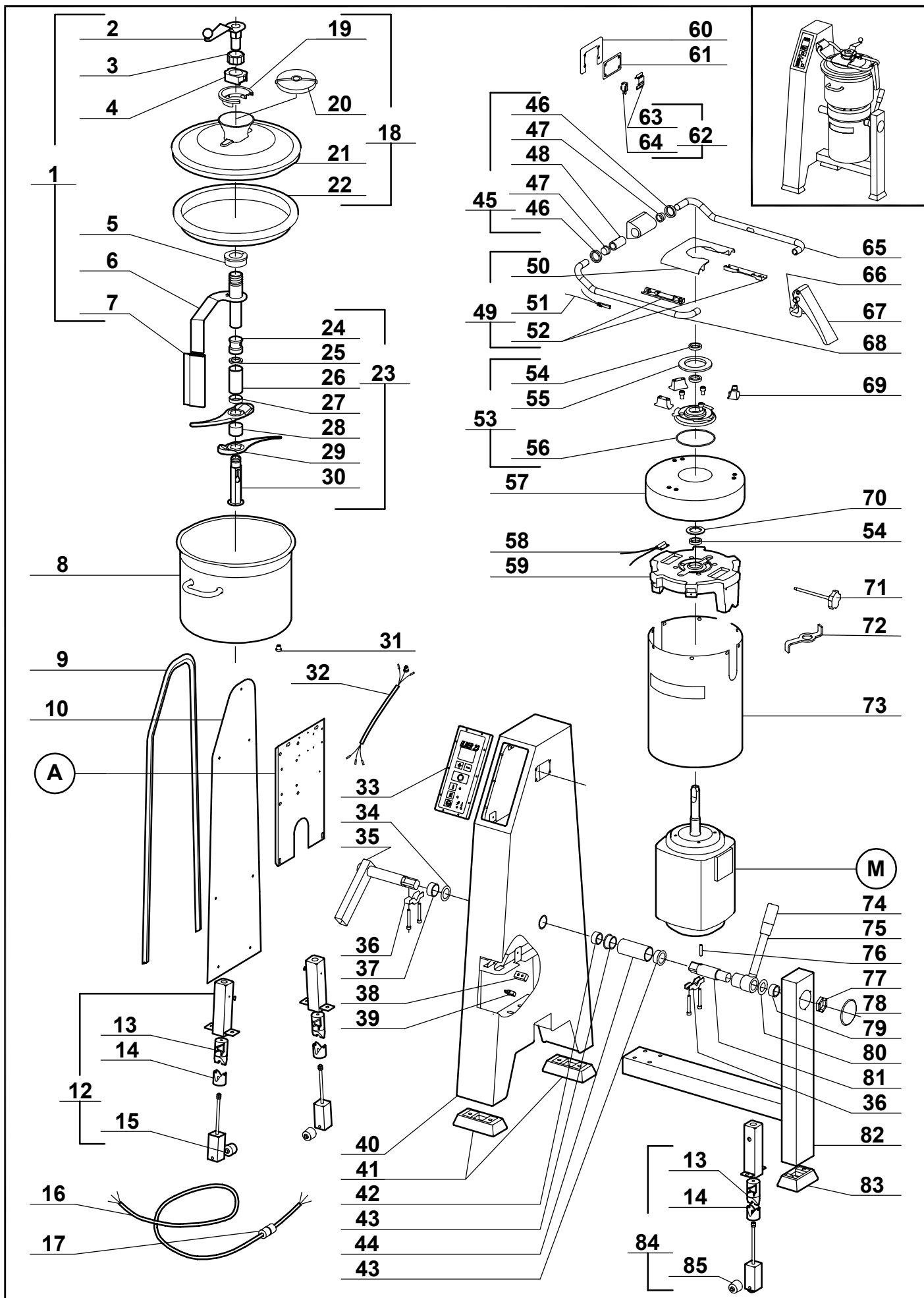
N°	M	Voltage	A	B	C	D	E	F	G	
52042	303065 1 303,85	230-400 / 50 / 3	117990 756,55	503356 3,20	503376 51,55	503108 3,20	503364 44,60	503364 44,60	503362 66,75	
52043	303062 1 000,05	400 / 50 / 3	117987 582,20	503355 3,20	503354 35,65	500537 3,00	503361 24,35	503363 27,25	503363 27,25	
52044	303068 1 000,05	220 / 60 / 3	117989 773,15	503356 3,20	503376 51,55	503108 3,20	503364 44,60	503364 44,60	503364 44,60	

**robot coupe**

**Blixer 30**

Pricelist in : EUR

N°	M	Voltage	H	
52042	303065 1 303,85	230-400 / 50 / 3	503362 66,75	
52043	303062 1 000,05	400 / 50 / 3	503363 27,25	
52044	303068 1 000,05	220 / 60 / 3	503364 44,60	



**(A)** PCB R45 CMMUTABLE

**(M)** 4.5/6/220/60 R45 MOTOR

INDEX	REF.	DESIGNATION	Pricelist in : EUR
1	59173	BX45 BOWL SCRAPER ASSY	751,50
2	59166	R45 BLIXER HANDLE ASSEMBLY	167,00
3	118227	LID WIPER NUT	3,80
4	118498	BLIXER HANDLE/PADDLE SUPPORT GUIDE	79,25
5	118453	BLIXER 45 SPACER	30,85
6	118578	BLIXER 45 SCRAPER ARM	423,85
7	118488	BLIXER 45 BOWL SCRAPER	20,30
8	59142	R45 BOWL	719,05
9	118257	(FA) Casing Access Door Seal, R45TR60T	25,20
10	117940	R45/R60 CASING ACCESS DOOR	198,05
12	57052	R23-R60 RETRACTABLE WHEELS	200,35
13	118232	CASTOR UPPER CAM	24,55
14	118233	CASTOR LOWER CAM	17,95
15	118237	ROULETTE INCLINEE	12,55
16	502687	POWER CORD	89,90
17	501773	WIRE DUCT	4,40
18	59141	R45 LID ASSEMBLY	206,40
19	118100	R30 LID CENTRE SUPPORT SEAL	9,60
20	118573	R23-R60 LID CAP	27,75
21	118179	R45 LID PLASTIC ONLY	126,05
22	118134	R45 LID SEAL	71,10
23	57083	BLIXER 45 SERRATED BLADE (2) ASSEMBLY	See Price list
24	118206	R45 BLADE CAP	93,70
25	118207	R45 PLASTIC WASHER	6,75
26	119132	ST ST VCM SEAL BOWL	Contact us
27	118204	R45 BLADE SPACER 14MM	18,15
28	118205	R45 BLADE SPACER 43MM	28,55
29	118242	BLIXER 45 FINE SERRATED (1) BLADE	See Price list
30	117932	R45 BLADE SUPPORT	144,20
31	118171	SAFETY PLUG	7,85
32	118127	SAFETY WIRING	5,40
33	59145	Control Panel Assembly	194,10
34	118147	BACK THRUST WASHER	18,40
35	59135	BACK TILITING PIVOT ASSEMBLY	116,50
36	118218	TILTING AXE STAPLE	13,30
37	118146	BACK TILITING PIVOT SPACER	22,10
38	117959	TILTING THRUST	19,10
39	507007	MP450/550 MICROSWITCH	2,40
40	117939	R45/R60 CASING	836,70
41	118186	CASING FOOT	21,80
42	118148	BACK BEARING BUSH	2,45
43	118150	SLEEVE BUSH	2,65
44	118149	SLEEVE 107mm	23,00
45	59128	HINGE ASSEMBLY	146,25
46	501424	SEALING RING 20X30	2,55
47	118126	BUSH	0,75
48	118253	R45 LID SWITCH CAM	3,15
49	59130	LID SUPPORT ASSEMBLY	176,65
50	118101	R23-R60 LID SUPPORT	152,80
51	118132	R30 LID REED SWITCH	10,95
52	59131	ARM CLIP ASSEMBLY	13,10
53	59143	R45 MOTOR SEAL SOCKET ASSEMBLY	191,40
54	507054	R45 MOTOR SHAFT SEAL 40X52X7	2,80
55	118153	BOWL SEAL	8,70
56	507050	O RING	3,15
57	118175	R45 UPPER MOTOR COVER	87,90
58	118157	R30 BOWL REED SWITCH	9,75
59	59144	SPACER ASS	365,05
60	118128	PLAQUE RENFORT CHARNIERE	11,20

INDEX	REF.	DESIGNATION	Pricelist in : EUR
61	118255	HINGE FLAT SEAL	2,45
62	59127	SAFETY SWITCH ASSEMBLY	18,60
63	118254	SWITCH SUPPORT	4,00
64	501258	SAFETY SWITCH	14,65
65	118108	RIGHT LID TUBE	55,00
66	118172	LID HOOK	47,30
67	59129	LID HANDLE ASSEMBLY	183,45
68	118109	LEFT LID TUBE	55,00
69	59165	BOWL THRUST ASSEMBLY	92,00
70	118174	R45 MOTOR DEFLECTOR	22,15
71	59950	PIN ASSEMBLY	9,45
72	118268	R45 KNIFE DISMOUNTING TOOL	15,75
73	118297	R45 BOTTOM MOTOR COVER	257,05
74	118142	R30 TILT ARM END COVER	5,65
75	59138	R30 TILT ARM	116,50
76	208582	R172 STAR WASHER N/A	6,65
77	118166	R30 HEX ADJUSTING NUT	14,40
78	117956	PLUG	14,90
79	118144	FRONT BEARING BUSH	2,45
80	118143	FRONT THRUST WASHER	2,45
81	59137	FRONT TILTING PIVOT ASSEMBLY	70,25
82	117941	R45 STAND	325,30
83	117958	STAND FOOT	21,80
84	57051	ENS ROULETTE AV VCM	200,35
85	118235	RIGHT CASTOR	12,55

**robot coupe**

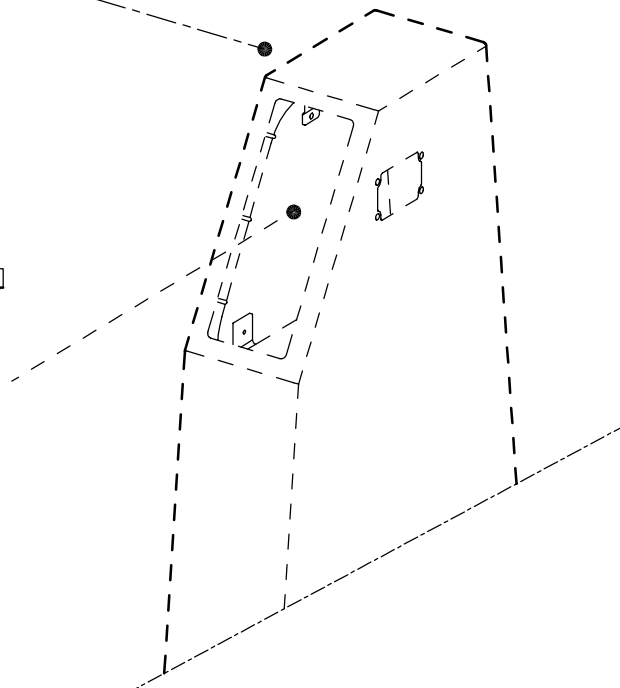
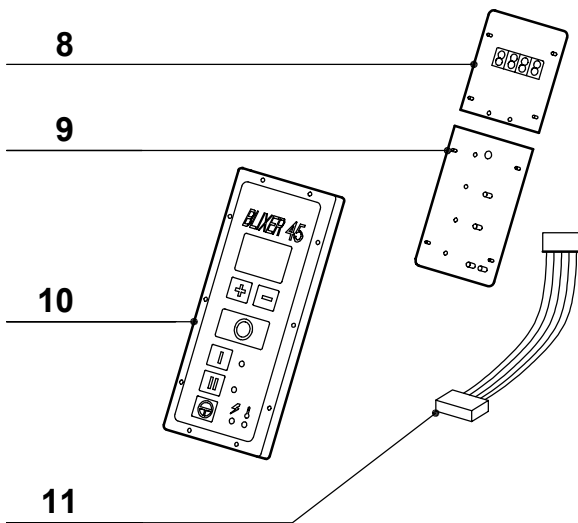
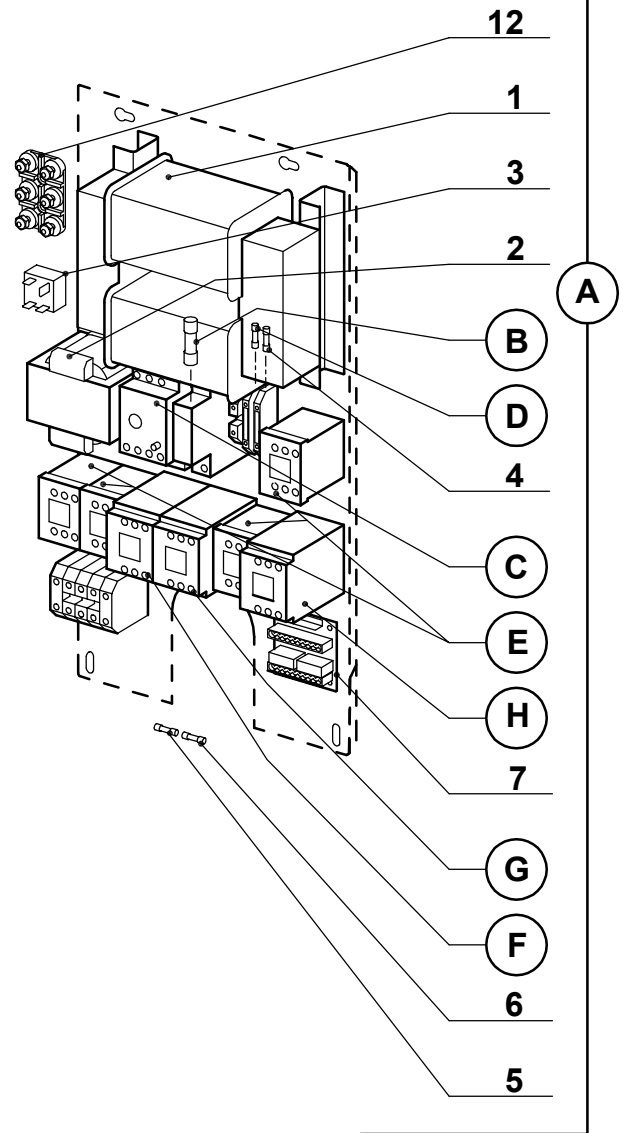
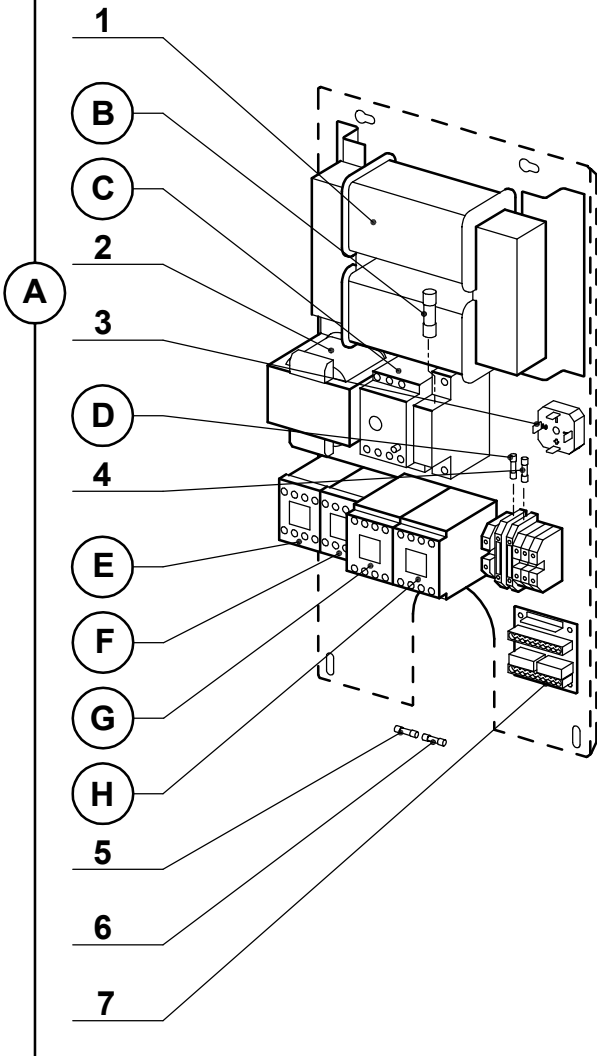
**Blixer 45**

Pricelist in : EUR

N°	M	Voltage	A	
53043	303066 1 725,35	230-400 / 50 / 3	117994 950,30	
53044	303063 1 350,05	400 / 50 / 3	117991 730,65	
53045	303069 1 350,05	220 / 60 / 3	117993 1 044,90	

Monotension

Bitension



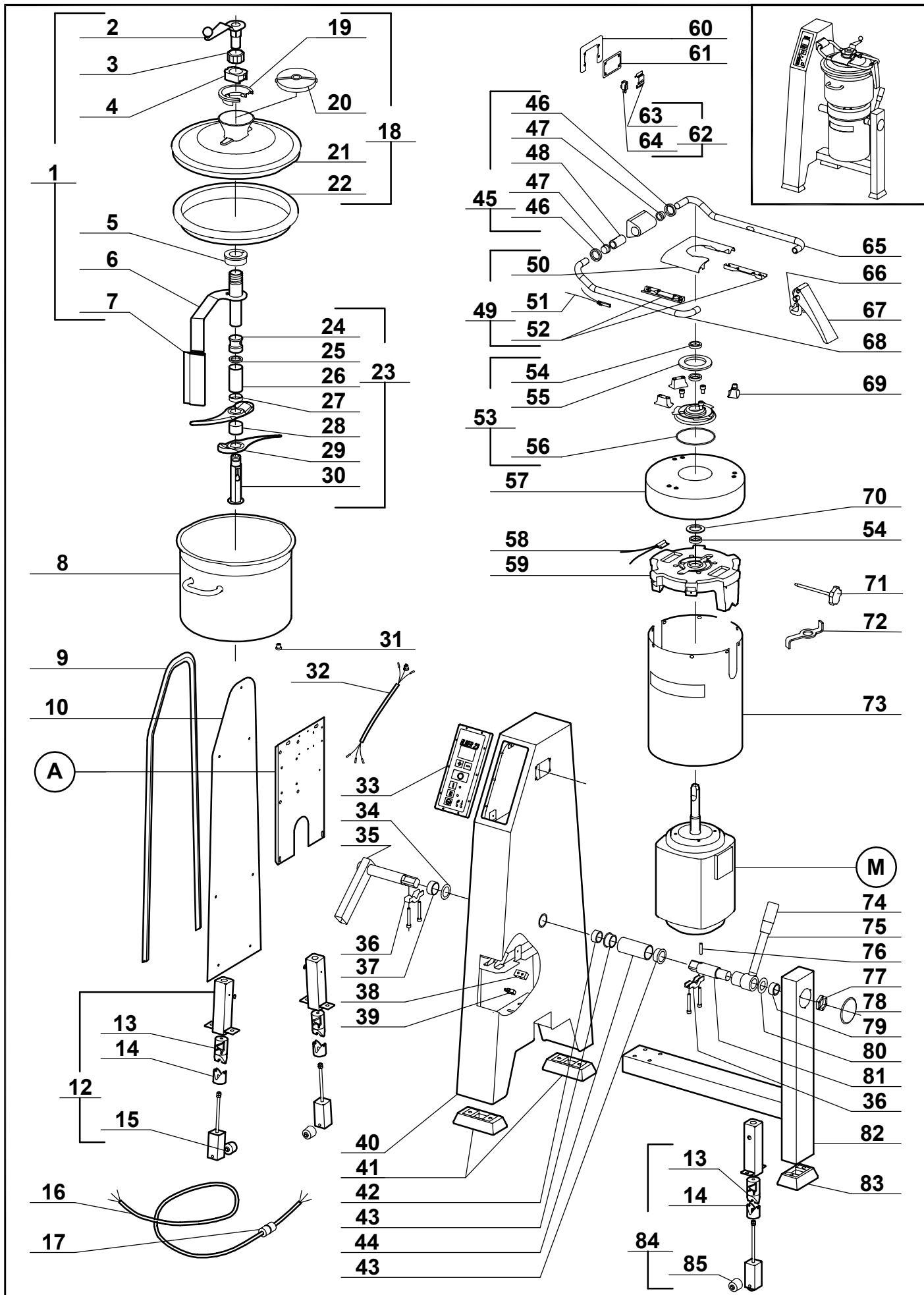


- (A)** PCB R45 CMMUTABLE
- (B)** BREAK FUSE
- (C)** THERMAL RELAY
- (D)** PRIMARY FUSE 8A
- (E)** HIGHT SPEED CONTACTOR
- (F)** (DA) Contactor, R30T
- (G)** (DA) Contactor, R30T
- (H)** (DA) Contactor, R30T
- (I)** R30 PCB

INDEX	REF.	DESIGNATION	Pricelist in : EUR
1	503971	TRANSFORMER 48V	155,45
2	503970	TRANSFORMER 9/24V	51,55
3	511620	TRANSFORMER	29,30
4	500537	PRIMARY FUSE 9/24V	3,00
5	504253	SECONDARY FUSE 9V	3,75
6	507121	SECONDARY FUSE 24 V	3,20
7	117980	R30 CONNECTION CARD	50,25
8	117999	TIMER CIRCUIT BOARD	79,20
10	59146	BLIXER 45 CONTROL PANEL ASSY	185,25
11	117982	R30 PCB CONNECTION CABLE	18,50
12	507167	COMMUTATION SUPPORT	68,57

N°	M	Voltage	A	B	C	D	E	F	G	
53043	303066 1 725,35	230-400 / 50 / 3	117994 950,30	502495 3,70	503376 51,55	504257 3,40	503364 44,60	503362 66,75	503362 66,75	
53044	303063 1 350,05	400 / 50 / 3	117991 730,65	503356 3,20	503960 51,10	503106 3,20	503363 27,25	503363 27,25	503364 44,60	
53045	303069 1 350,05	220 / 60 / 3	117993 1 044,90	502495 3,70	503376 51,55	504257 3,40	503364 44,60	503362 66,75	503362 66,75	

N°	M	Voltage	H	I	
53043	303066 1 725,35	230-400 / 50 / 3	503362 66,75	117981 137,60	
53044	303063 1 350,05	400 / 50 / 3	503364 44,60	117981 137,60	
53045	303069 1 350,05	220 / 60 / 3	503362 66,75	117981 137,60	



**(A)** PCB R60 COMMUTABLE

**(M)** 6/9KW 220/60 R60 MOTOR

INDEX	REF.	DESIGNATION	Pricelist in : EUR
1	59174	BX60 BOWL SCRAPER ASSY	1 052,15
2	59166	R45 BLIXER HANDLE ASSEMBLY	167,00
3	118227	LID WIPER NUT	3,80
4	118498	BLIXER HANDLE/PADDLE SUPPORT GUIDE	79,25
5	118453	BLIXER 45 SPACER	30,85
6	118579	BLIXER 60 ARM	593,35
7	118488	BLIXER 45 BOWL SCRAPER	20,30
8	59148	R60 S/S BOWL	970,90
9	118257	(FA) Casing Access Door Seal, R45TR60T	25,20
10	117940	R45/R60 CASING ACCESS DOOR	198,05
12	57052	R23-R60 RETRACTABLE WHEELS	200,35
13	118232	CASTOR UPPER CAM	24,55
14	118233	CASTOR LOWER CAM	17,95
15	118237	ROULETTE INCLINEE	12,55
16	101043	POWER CORD	103,40
17	59167	POWER CORD PROTECTOR	20,15
18	59149	R60 COMPLETE LID ASSY	288,95
19	118100	R30 LID CENTRE SUPPORT SEAL	9,60
20	118573	R23-R60 LID CAP	27,75
21	118180	R60 COMPLETE LID ASSY	170,10
22	118184	R60 LID SEAL ASS R60	92,20
23	57093	BLIXER 60 SERRATED (2) BLADE ASSEMBLY	See Price list
24	118206	R45 BLADE CAP	93,70
25	118207	R45 PLASTIC WASHER	6,75
26	119132	ST ST VCM SEAL BOWL	Contact us
27	118204	R45 BLADE SPACER 14MM	18,15
28	118205	R45 BLADE SPACER 43MM	28,55
29	118244	BLIXER 60 FINE SERRATED (1) BLADE	See Price list
30	117932	R45 BLADE SUPPORT	144,20
31	118171	SAFETY PLUG	7,85
32	118127	SAFETY WIRING	5,40
33	59151	Control Panel Assembly	252,35
34	118147	BACK THRUST WASHER	18,40
35	59162	R60 BACK TILTING PIVOT ASSY	163,05
36	118218	TILTING AXE STAPLE	13,30
37	118146	BACK TILTING PIVOT SPACER	22,10
38	117959	TILTING THRUST	19,10
39	507007	MP450/550 MICROSWITCH	2,40
40	117939	R45/R60 CASING	836,70
41	118186	CASING FOOT	21,80
42	118148	BACK BEARING BUSH	2,45
43	118150	SLEEVE BUSH	2,65
44	118168	R60 132mm SLEEVE	22,15
45	59128	HINGE ASSEMBLY	146,25
46	118253	R45 LID SWITCH CAM	3,15
47	118126	BUSH	0,75
48	501424	SEALING RING 20X30	2,55
49	59130	LID SUPPORT ASSEMBLY	176,65
50	118101	R23-R60 LID SUPPORT	152,80
51	118132	R30 LID REED SWITCH	10,95
52	59131	ARM CLIP ASSEMBLY	13,10
53	59143	R45 MOTOR SEAL SOCKET ASSEMBLY	191,40
54	507054	R45 MOTOR SHAFT SEAL 40X52X7	2,80
55	118153	BOWL SEAL	8,70
56	507050	O RING	3,15
57	118251	Upper Motor Cover	123,00
58	118157	R30 BOWL REED SWITCH	9,75
59	59144	SPACER ASS	365,05
60	118128	PLAQUE RENFORT CHARNIERE	11,20

INDEX	REF.	DESIGNATION	Pricelist in : EUR
61	118255	HINGE FLAT SEAL	2,45
62	59127	SAFETY SWITCH ASSEMBLY	18,60
63	118254	SWITCH SUPPORT	4,00
64	501258	SAFETY SWITCH	14,65
65	118110	RIGHT LID TUBE R60	77,00
66	118172	LID HOOK	47,30
67	59129	LID HANDLE ASSEMBLY	183,45
68	118111	LEFT LID TUBE R60	77,00
69	59165	BOWL THRUST ASSEMBLY	92,00
70	118174	R45 MOTOR DEFLECTOR	22,15
71	59950	PIN ASSEMBLY	9,45
72	118268	R45 KNIFE DISMOUNTING TOOL	15,75
73	118298	R60 BOTTOM MOTOR COVER	464,80
74	118142	R30 TILT ARM END COVER	5,65
75	59161	R60 LOCKING LEVER ASSY	163,05
76	208582	R172 STAR WASHER N/A	6,65
77	118166	R30 HEX ADJUSTING NUT	14,40
78	117956	PLUG	14,90
79	118144	FRONT BEARING BUSH	2,45
80	118143	FRONT THRUST WASHER	2,45
81	59163	R60 FRONT TILTING PIVOT ASSY	98,30
82	118191	R60 STAND	455,40
83	117958	STAND FOOT	21,80
84	57051	ENS ROULETTE AV VCM	200,35
85	118235	RIGHT CASTOR	12,55

**robot coupe®**

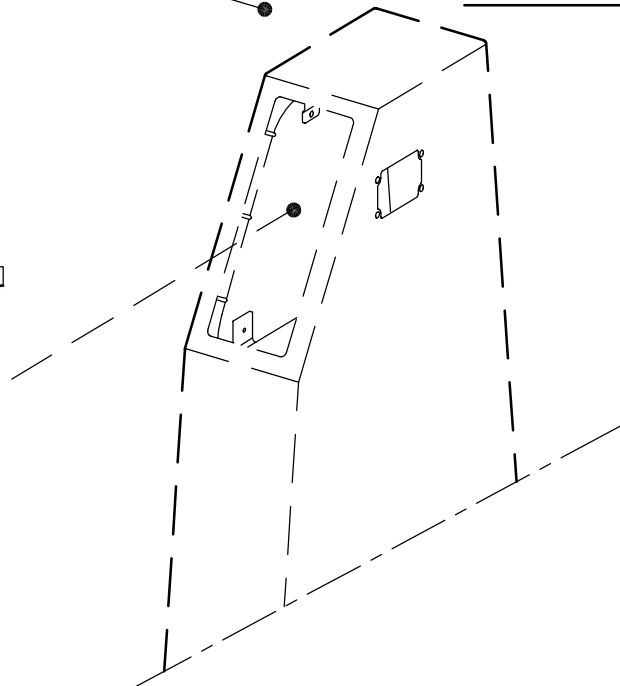
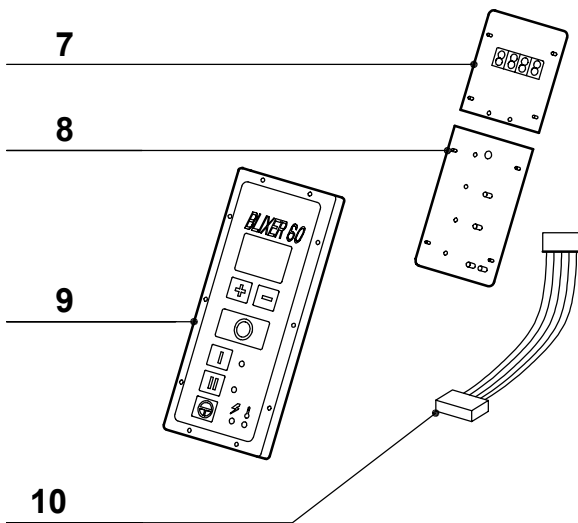
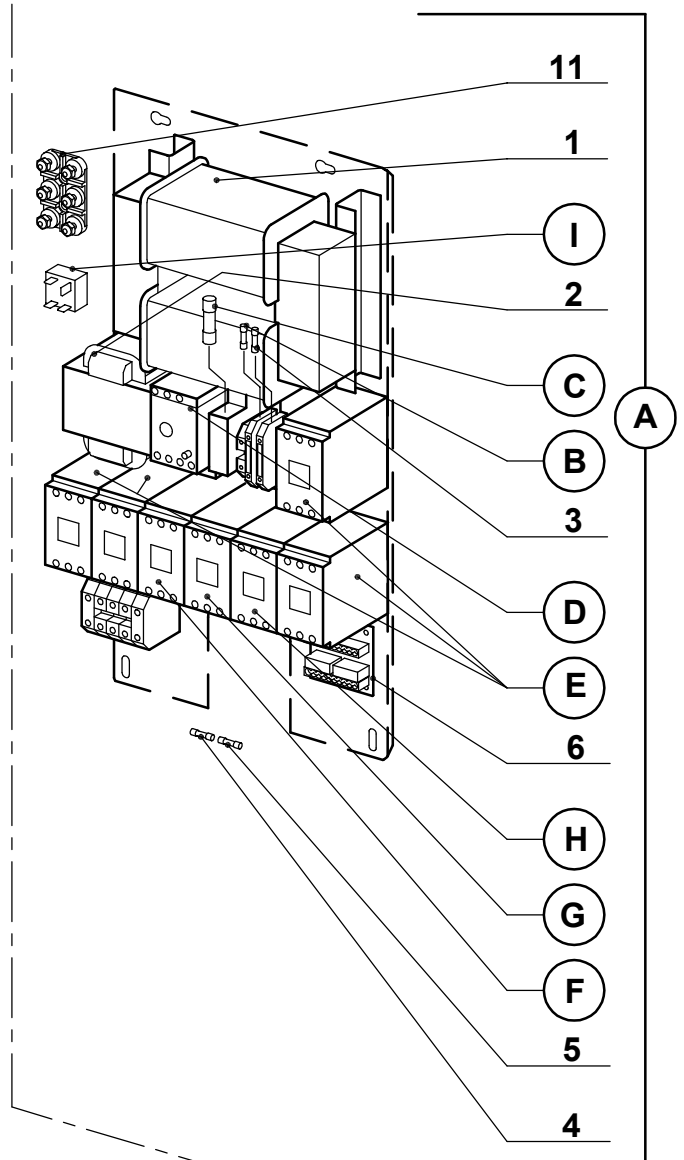
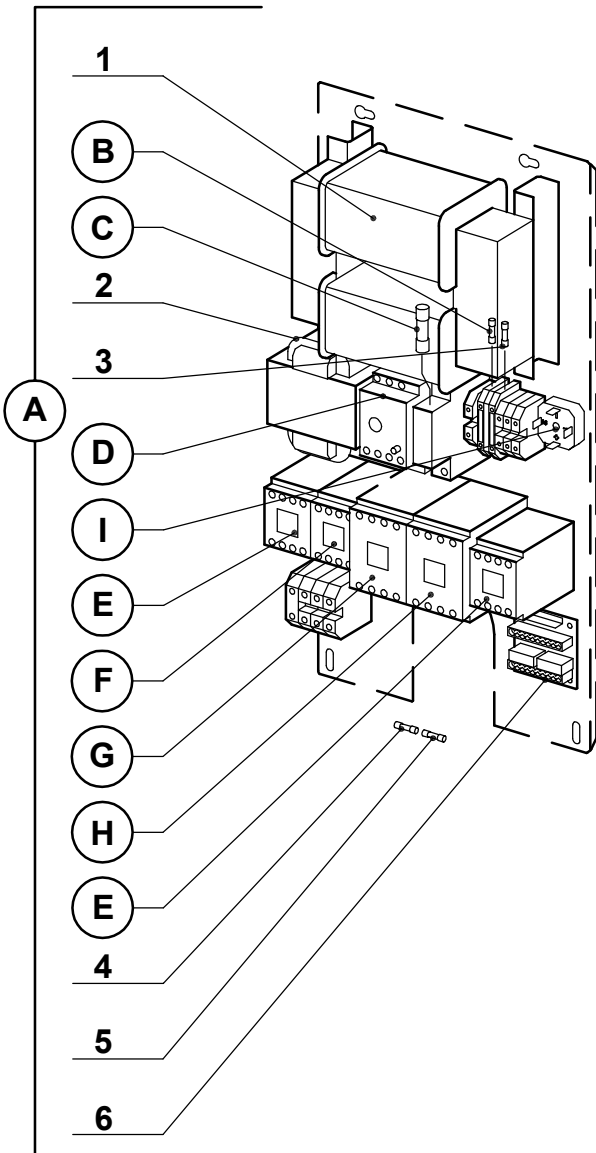
**Blixer 60**

Pricelist in : EUR

N°	M	Voltage	A	
54143	303067 2 281,90	230-400 / 50 / 3	117998 1 362,55	
54144	303064 1 755,25	400 / 50 / 3	117995 932,00	
54145	303070 1 755,25	220 / 60 / 3	117997 1 029,35	
54148	303132 2 079,70	380 / 60 / 3	117995 932,00	

Monotension

Bitension





- (A)** PCB R60 COMMUTABLE
- (B)** PRIMARY FUSE 10A
- (C)** BREAK FUSE
- (D)** THERMAL RELAY
- (E)** (DA) Contactor, R30T
- (F)** (FA) Low Speed/Contactor, R45T
- (G)** (FA) High Speed Contactor, R45T
- (H)** (FA) High Speed Contactor, R45T
- (I)** TRANSFORMER

INDEX	REF.	DESIGNATION	Pricelist in : EUR
1	503973	TRANSFORMER 48V	260,00
2	503972	TRANSFORMER 9/24V	71,15
3	500537	PRIMARY FUSE 9/24V	3,00
4	504253	SECONDARY FUSE 9V	3,75
5	507121	SECONDARY FUSE 24 V	3,20
6	117980	R30 CONNECTION CARD	50,25
7	117999	TIMER CIRCUIT BOARD	79,20
8	117981	R30 PCB	137,60
9	59152	BLIXER 60 CONTROL PANEL ASSY	185,25
10	117982	R30 PCB CONNECTION CABLE	18,50
11	507167	COMMUTATION SUPPORT	68,57

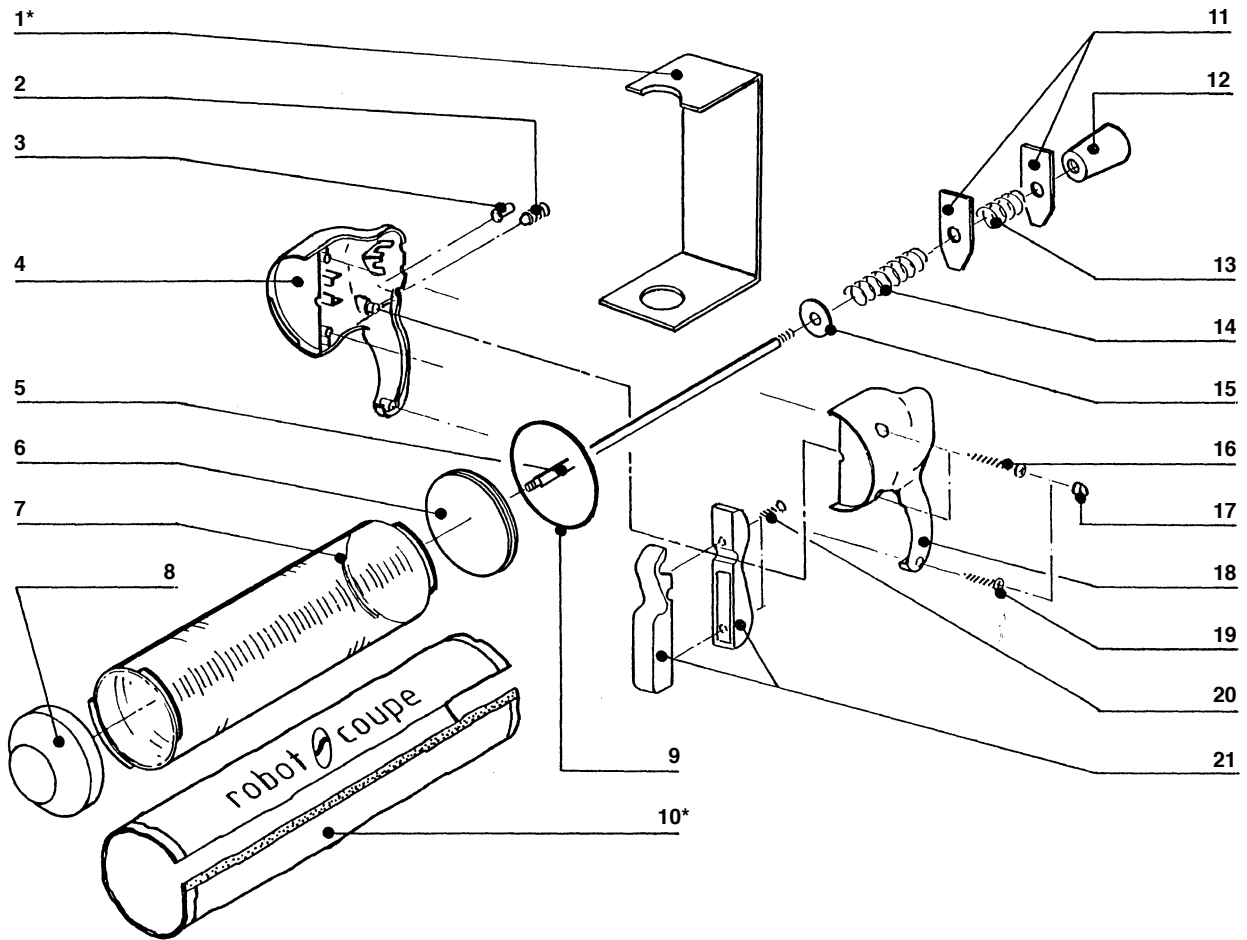
N°	M	Voltage	A	B	C	D	E	F	G	
54143	303067 2 281,90	230-400 / 50 / 3	117998 1 362,55	504258 3,40	502098 4,65	503961 67,90	503362 66,75	503969 92,25	503688 96,15	
54144	303064 1 755,25	400 / 50 / 3	117995 932,00	503108 3,20	503356 3,20	503376 51,55	503364 44,60	503964 Contact us	503969 92,25	
54145	303070 1 755,25	220 / 60 / 3	117997 1 029,35	504258 3,40	502098 4,65	503961 67,90	503362 66,75	503969 92,25	503688 96,15	
54148	303132 2 079,70	380 / 60 / 3	117995 932,00	503108 3,20	503356 3,20	503376 51,55	503364 44,60	503964 Contact us	503969 92,25	

**robot coupe®**

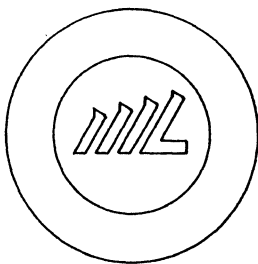
## Blixer 60

Pricelist in : EUR

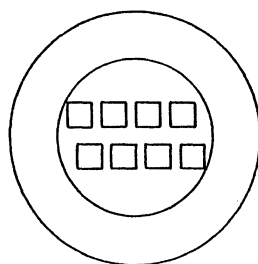
N°	M	Voltage	H	I	
54143	303067 2 281,90	230-400 / 50 / 3	503688 96,15	511622 30,05	
54144	303064 1 755,25	400 / 50 / 3	503969 92,25	511620 29,30	
54145	303070 1 755,25	220 / 60 / 3	503688 96,15	511622 30,05	
54148	303132 2 079,70	380 / 60 / 3	503969 92,25	511620 29,30	



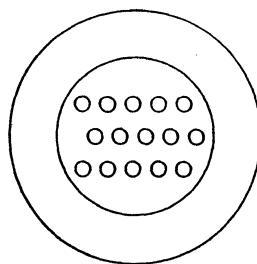
22\* Grille " Rangees "



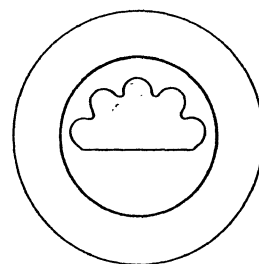
23\* Grille " Julienne "



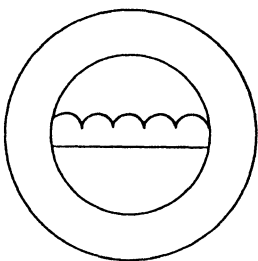
24\* Grille " Spaghetti "



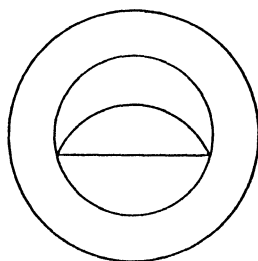
25\* Grille " Fleur "



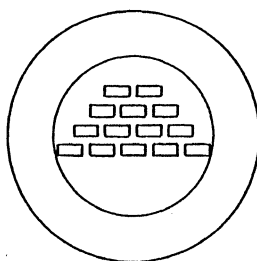
26\* Grille " Ondulé "



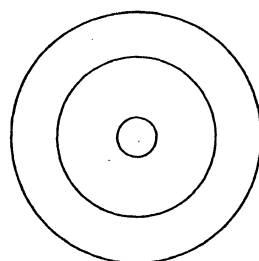
27\* Grille " Demi-lune "



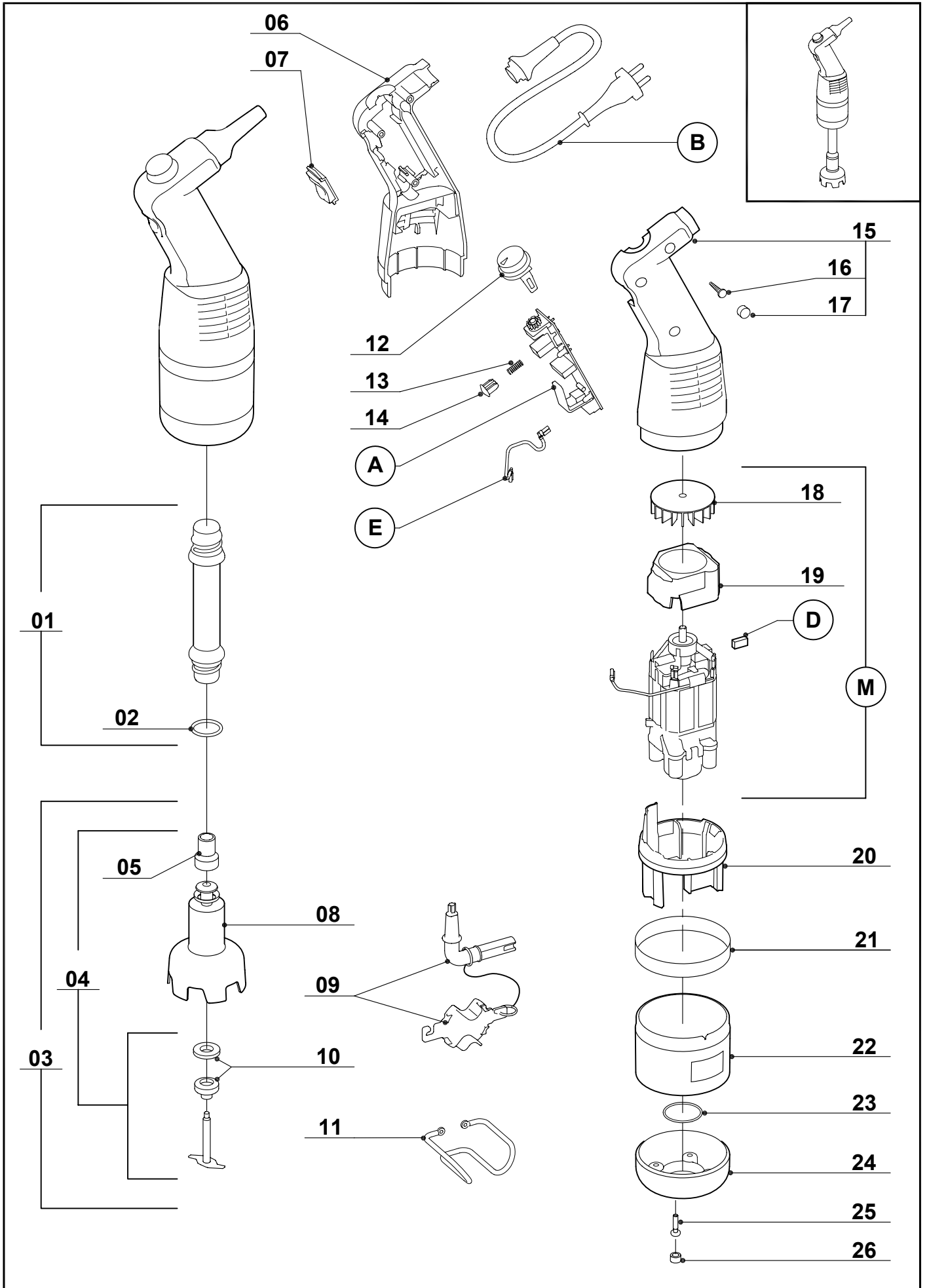
28\* Grille " Jilienne fine "



29\* Grille " Macaroni "



INDEX	REF.	DESIGNATION	Pricelist in : EUR
1	502158	ACRYLIC HOLDER	28,97
2	502149	ADJUSTING SCREW	0,45
3	501154	BASE EXPRESSO	Contact us
4	502153	LEFT HANDLE	28,30
5	502144	PLUNGER ROD	9,85
6	502142	PLUNGER	12,15
7	502141	PLASTIC TUBE	52,15
8	502159	LID	22,90
9	502143	PLUNGER SEAL	3,10
10	502187	ISOLATED SLEEVE	21,34
11	502147	STAINLESS STEEL PLATE	3,55
12	502150	ROD HANDLE	3,65
13	502148	BRAKE SPRING	1,05
14	502146	SPRING FOR TRIGGER	1,35
15	502145	WASHER	0,45
16	502156	HANDLE LONG SCREW	0,55
17	502168	SCREW PROTECTOR	0,50
18	502152	RIGHT HANDLE	28,30
19	502157	HANDLE SMALL SCREW	0,50
20	502155	TRIGGER SCREW	0,45
21	502151	TRIGGER	6,80
22	502160	LAYERED TIP	18,29
23	502161	LARGE JULIENNE TIP	18,29
24	502162	SPAGHETTI TIP	18,29
25	502163	BALLOON TIP	18,29
26	502164	WAVE/STRAIGHT TIP	18,29
27	502165	OVAL/PATTY TIP	18,29
28	502166	SMALL JULIENNE TIP	18,29
29	502167	HOT DOG TIP	18,29



robot coupe®

Mini MP 170 V.V.

- (A)** MMP PCB
- (B)** MMP MAINS CABLE
- (D)** MMP BRUSH 120V ASSEMBLY
- (E)** MMP ELECT WIRING 120V ASS
- (M)** MMP170 MOTOR 120V ASSY

INDEX	REF.	DESIGNATION	Pricelist in : EUR
1	104207	MMP170 FOOT	17,70
2	507075	MMP FOOT SEAL	1,60
3	39053	MMP BELL COMPLETE	69,65
4	39054	MMP BLADE ASSEMBLY	28,45
5	104312	MMP COUPLING	8,95
6	39055	MMP HANDLE CASE RIGHT SIDE	11,95
7	39056	MMP SWITCH COVER ASSEMBLY	3,95
8	39057	MMP BELL ASSEMBLY	47,10
9	39058	MMP BLADE TOOL	13,05
10	507198	MMP SEAL ASSEMBLY	5,70
11	104231	MMP WALL BRACKET	11,60
12	39059	MMP SPEED SWITCH ASSEMBLY	4,65
13	39060	MMP KNOB SPRING & SCREW ASSEMBLY	3,95
14	39061	MMP SCREW CAP & KNOB ASSEMBLY	3,35
15	39062	MMP HANLDE CASE LEFT SIDE	11,95
16	39063	MMP SCREW CAP ASSEMBLY	3,95
17	39064	MMP SCREW COVER	3,15
18	39067	MMP MOTOR FAN	3,45
19	39066	MMP MOTOR VENTILATOR	5,20
20	39065	MMP MOTOR RING CAP	5,60
21	39068	MMP170VV LEGAND BAND	7,50
22	39070	MMP CENTRE MOTOR CASING	5,50
23	39158	MMP CASING SEAL	3,65
24	39159	MMP BOTTOM MOTOR CASING	17,80
25	39161	MMP BOTTOM CASING SCREW	4,45
26	39162	MMP BOTTOM CASE SCREW CAP	3,15

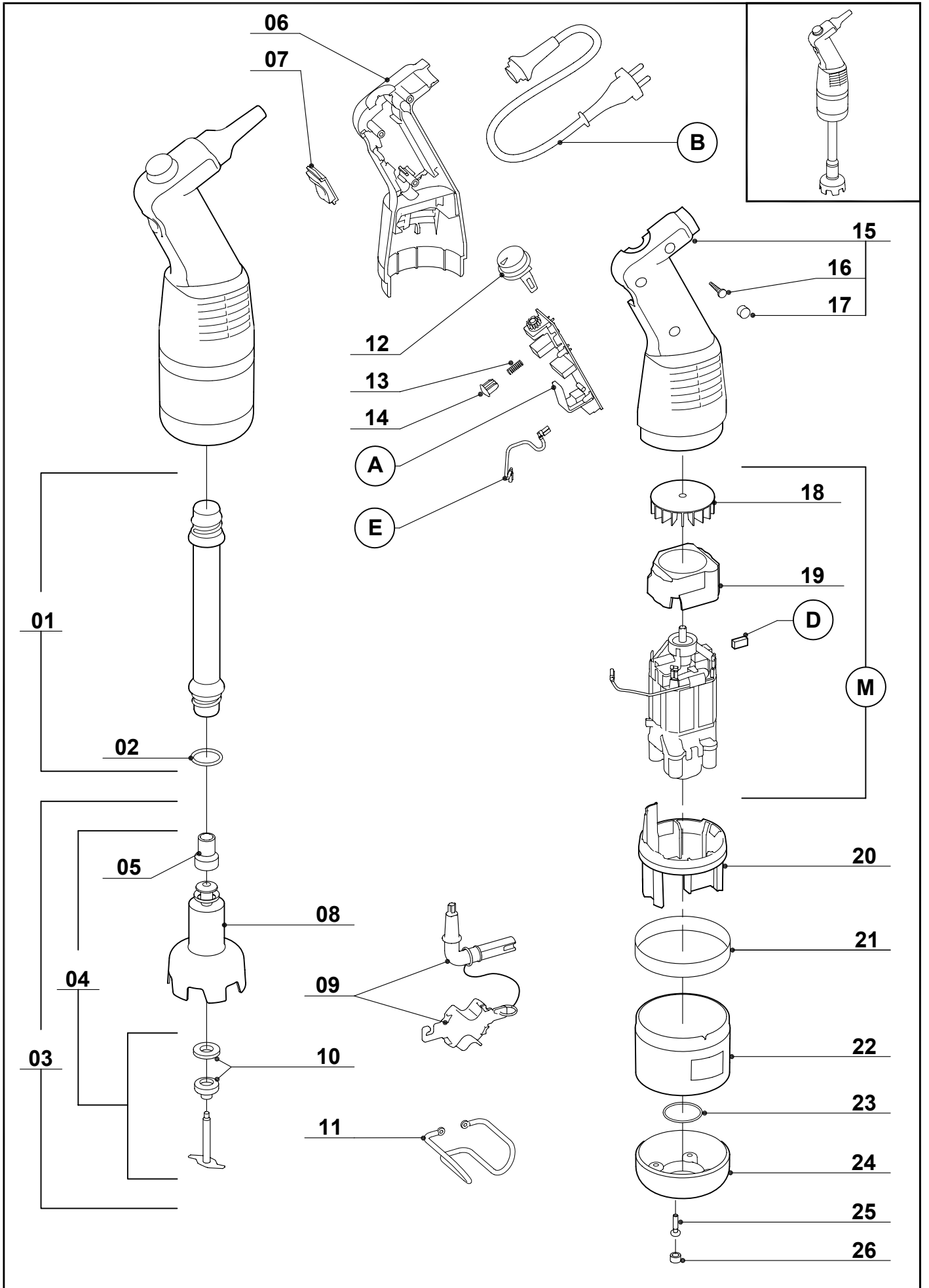
**robot coupe®**

**Mini MP 170 V.V.**

**Pricelist in : EUR**

N°	M	Voltage	A	B	D	E	
34400	39175 36,15	230 / 50 / 1	39168 34,05	39163 11,00	39173 7,40	39171 5,00	
34404	39175 36,15	220 / 60 / 1	39169 34,05	39163 11,00	39173 7,40	39171 5,00	
34405	39176 36,15	120 / 60 / 1	39170 34,05	39167 11,00	39174 7,40	39172 5,00	
34406 SUISS	39175 36,15	230 / 50 / 1	39168 34,05	39164 11,00	39173 7,40	39171 5,00	





- (A)** MMP PCB
- (B)** MMP MAINS CABLE
- (D)** MMP BRUSH 120V ASSEMBLY
- (E)** MMP ELECT WIRING 120V ASS
- (M)** CASING MMP CAP SCREW ASSY

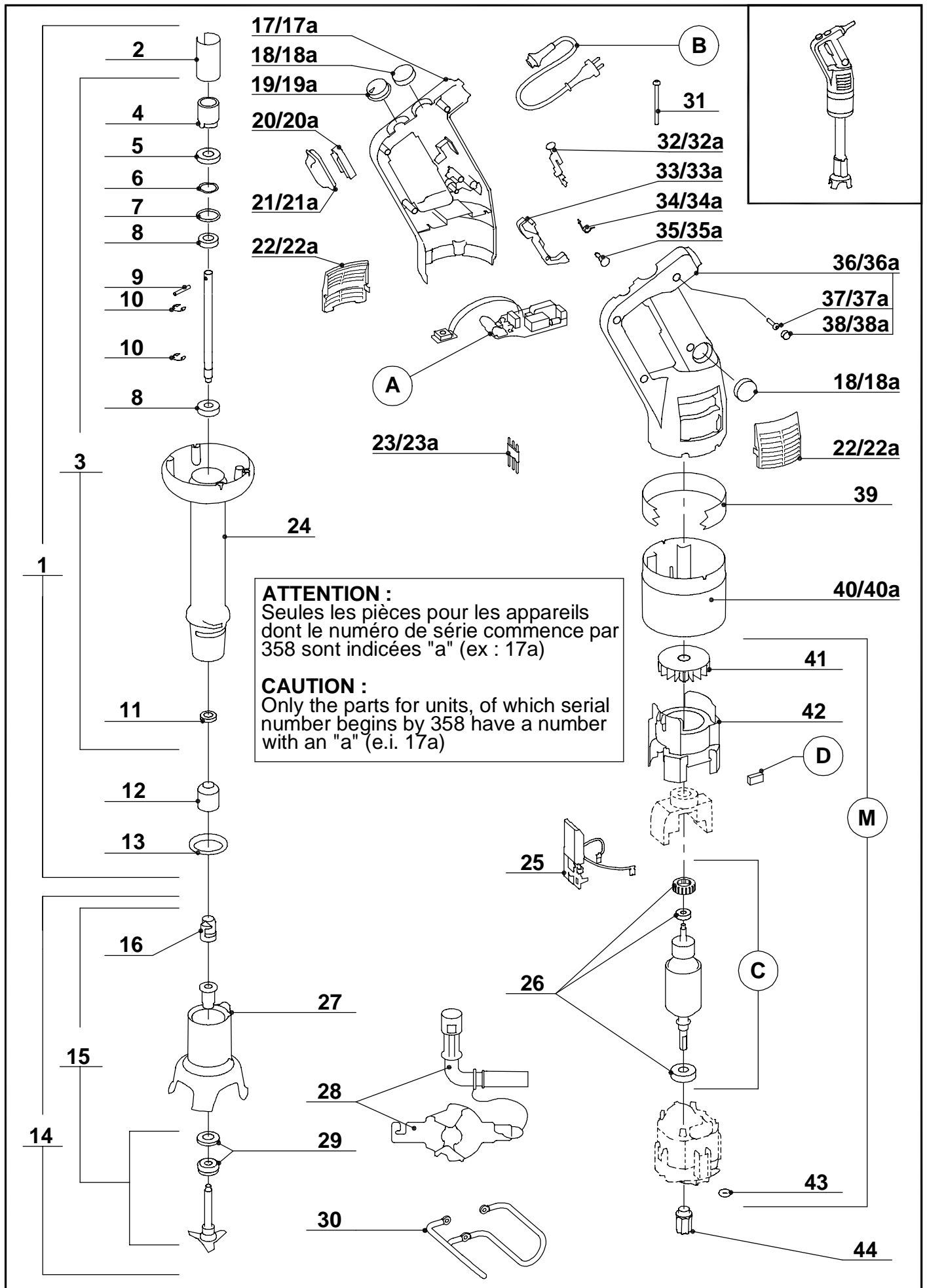
INDEX	REF.	DESIGNATION	Pricelist in : EUR
1	104211	MMP220VV FOOT	19,65
2	507075	MMP FOOT SEAL	1,60
3	39053	MMP BELL COMPLETE	69,65
4	39054	MMP BLADE ASSEMBLY	28,45
5	104312	MMP COUPLING	8,95
6	39055	MMP HANDLE CASE RIGHT SIDE	11,95
7	39056	MMP SWITCH COVER ASSEMBLY	3,95
8	39057	MMP BELL ASSEMBLY	47,10
9	39058	MMP BLADE TOOL	13,05
10	507198	MMP SEAL ASSEMBLY	5,70
11	104231	MMP WALL BRACKET	11,60
12	39059	MMP SPEED SWITCH ASSEMBLY	4,65
13	39060	MMP KNOB SPRING & SCREW ASSEMBLY	3,95
14	39061	MMP SCREW CAP & KNOB ASSEMBLY	3,35
15	39062	MMP HANLDE CASE LEFT SIDE	11,95
16	39063	MMP SCREW CAP ASSEMBLY	3,95
17	39064	MMP SCREW COVER	3,15
18	39067	MMP MOTOR FAN	3,45
19	39066	MMP MOTOR VENTILATOR	5,20
20	39065	MMP MOTOR RING CAP	5,60
21	39069	MMP220VV LEGAND BAND	7,50
22	39070	MMP CENTRE MOTOR CASING	5,50
23	39158	MMP CASING SEAL	3,65
24	39159	MMP BOTTOM MOTOR CASING	17,80
25	39161	MMP BOTTOM CASING SCREW	4,45
26	39162	MMP BOTTOM CASE SCREW CAP	3,15

**robot coupe®**

**Mini MP 220 V.V.**

**Pricelist in : EUR**

N°	M	Voltage	A	B	D	E	
34410	39133 40,60	230 / 50 / 1	39168 34,05	39163 11,00	39173 7,40	39171 5,00	
34414	39133 40,60	220 / 60 / 1	39169 34,05	39163 11,00	39173 7,40	39171 5,00	
34415	39134 40,60	120 / 60 / 1	39170 34,05	39167 11,00	39174 7,40	39172 5,00	
34416 SUISS	39133 40,60	230 / 50 / 1	39168 34,05	39164 11,00	39173 7,40	39171 5,00	



- (A)** CIRCUIT BOARD
- (B)** CMP MAINS CABLE
- (C)** INDUCED CIRCUIT
- (D)** MOTOR BRUSH V120 CMP
- (M)** CMP250VV MOTOR

INDEX	REF.	DESIGNATION	Pricelist in : EUR
1	103185	CMP250VV FOOT	70,85
2	103138	Open tube	2,05
3	29685	CMP250VV DRIVE SHAFT	35,65
4	102832	MP350/450 COMBI DRIVE HUB COUPLING	2,85
5	102963	Stop bearing	1,25
6	203118	Elastic ring	1,65
7	507075	MMP FOOT SEAL	1,60
8	507005	MP450/550 BEARING 608RS	3,50
9	203080	MP35/450 COMBI DRIVE SHAFT PIN	0,50
10	203128	Ring "E"	0,10
11	507004	MP450/550 SEAL 18X8X15	3,50
12	102410	MP350/450 FEMALE DRIVE COUPLING	10,00
13	102417	MP450/550 FOOT SEAL GREY	2,40
14	29678	CMP BELL COVER COMPLETE	90,10
15	29676	CMP BLADE ASSEMBLY	36,80
16	102422	MP550 MALE DRIVE COUPLING	10,00
17	29684	Right handle assembly dark	13,40
17a	29939	RIGHT 1/2 HANDLE CMP ASSY	13,40
18	29688	Cap knob-cap screw assembly dark	3,75
18a	29940	CAP KNOB-CAP SCREW ASSY	3,75
19	29743	Varia switch equi-cap screw ass.dark	4,40
19a	29941	VARIA SWIT-CAP SCREW ASSY	4,40
20	29690	Seal ring-cap screw assembly dark	3,75
20a	29943	SEAL RING-CAP SCREW ASSY	3,75
21	29689	Cap arm-cap screw assembly dark	3,75
21a	29944	CAP ARM-CAP SCRAW ASSY	3,75
22	103128	Vent cover dark	1,55
22a	103811	VENT COVER CMP	1,55
23	29749	CMP SCREW ASSEMBLY FOR PCB	5,95
23a	29945	CONNECT - CAP SCREW ASSY	5,95
24	103146	Foot	39,55
25	29750	CMP WIRING REST	10,05
26	29679	Motor bearing ass	10,70
27	29677	Bell cover ass-ring CMP	61,55
28	29540	MP450/550 BLADE TOOL	14,65
29	507000	MP450/550 BELL COVER SEAL 2PCE	14,95
30	103171	Rack	14,20
31	203127	Screw	0,35
32	29681	CMP RELEASE SWITCH ACTUATOR	9,55
32a	29946	SECU KNOB-SPRING ASSY	9,55
33	29748	CMP SWITCH ACTUATOR	18,75
33a	29947	COMMAND ARM-CAP SCREW ASS	18,75
34	29745	CMP ACTUATOR SPRING	3,75
34a	29948	ADJ SPRING-CAP SCREW ASSY	3,75
35	29680	CMP LOCK SWITCH ACTUATOR	9,55
35a	29949	LOCK KNOB SPRING ASSY	9,55
36	29683	Left handle (cover) + screw + cap + ass dark	13,40
36a	29950	LEFT HANDLE+SCREW+CAP ASS	13,40
37	29747	Screw-cap screw assembly dark	3,75
37a	29951	SCREW-CAP SCREW ASSY	3,75
38	29682	Cap assembly dark	3,75
38a	29952	CAP SCREW CMP ASSY	3,75
39	103216	Ferrule	7,70

**robot coupe®**

**CMP 250 V.V.**

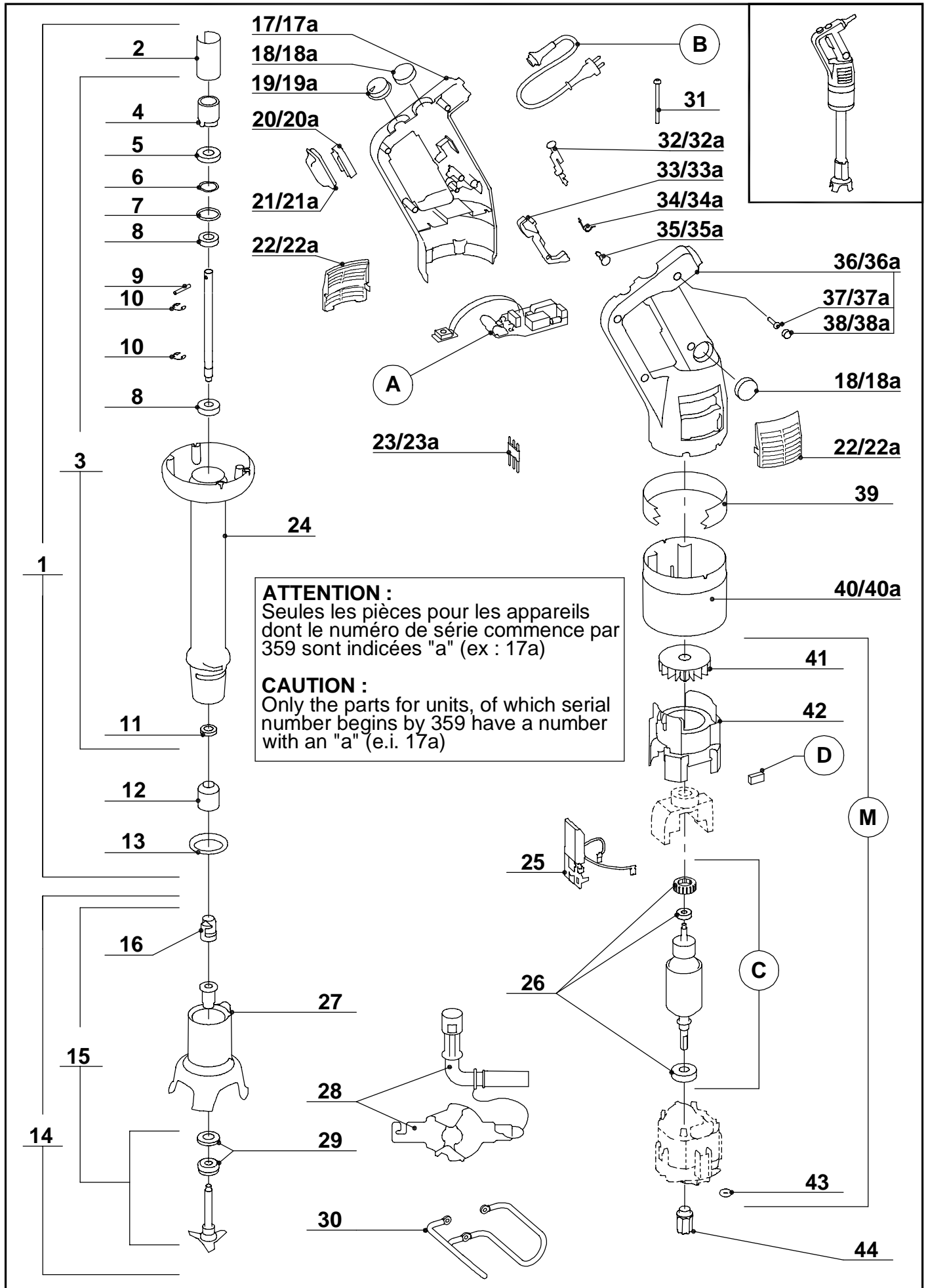
INDEX	REF.	DESIGNATION	Pricelist in : EUR
40	103123	Motor ferrule dark	6,10
40a	103812	MOTOR FERRULE CMP	6,10
41	103183	Ventilator	3,95
42	103125	Ventilator pipe	5,80
43	203125	Seal	0,30
44	102816	Driving hub	1,30

**robot coupe®**

**CMP 250 V.V.**

**Pricelist in : EUR**

N°	M	Voltage	A	B	C	D	
34240	29767 92,35	230 / 50 / 1	29751 40,55	29754 11,65	29759 37,30	504105 1,05	
34244	29767 92,35	220 / 60 / 1	29753 43,38	29754 11,65	29759 37,30	504105 1,05	
34245	29769 92,35	120 / 60 / 1	29752 40,55	29758 11,65	29760 37,30	504106 1,05	





- (A)** CIRCUIT BOARD
- (B)** CMP MAINS CABLE
- (C)** INDUCED CIRCUIT
- (D)** MOTOR BRUSH V120 CMP
- (M)** CMP300VV MOTOR

INDEX	REF.	DESIGNATION	Pricelist in : EUR
1	103184	Foot	74,55
2	103138	Open tube	2,05
3	29686	CMP300VV DRIVE SHAFT ASSEMBLY	37,50
4	102832	MP350/450 COMBI DRIVE HUB COUPLING	2,85
5	102963	Stop bearing	1,25
6	203118	Elastic ring	1,65
7	507075	MMP FOOT SEAL	1,60
8	507005	MP450/550 BEARING 608RS	3,50
9	203080	MP35/450 COMBI DRIVE SHAFT PIN	0,50
10	203128	Ring "E"	0,10
11	507004	MP450/550 SEAL 18X8X15	3,50
12	102410	MP350/450 FEMALE DRIVE COUPLING	10,00
13	102417	MP450/550 FOOT SEAL GREY	2,40
14	29678	CMP BELL COVER COMPLETE	90,10
15	29676	CMP BLADE ASSEMBLY	36,80
16	102422	MP550 MALE DRIVE COUPLING	10,00
17	29684	Right handle assembly dark	13,40
17a	29939	RIGHT 1/2 HANDLE CMP ASSY	13,40
18	29688	Cap knob-cap screw assembly dark	3,75
18a	29940	CAP KNOB-CAP SCREW ASSY	3,75
19	29743	Varia switch equi-cap screw ass.dark	4,40
19a	29941	VARIA SWIT-CAP SCREW ASSY	4,40
20	29690	Seal ring-cap screw assembly dark	3,75
20a	29943	SEAL RING-CAP SCREW ASSY	3,75
21	29689	Cap arm-cap screw assembly dark	3,75
21a	29944	CAP ARM-CAP SCRAW ASSY	3,75
22	103128	Vent cover dark	1,55
22a	103811	VENT COVER CMP	1,55
23	29749	CMP SCREW ASSEMBLY FOR PCB	5,95
23a	29945	CONNECT - CAP SCREW ASSY	5,95
24	103141	Foot	41,70
25	29750	CMP WIRING REST	10,05
26	29679	Motor bearing ass	10,70
27	29677	Bell cover ass-ring CMP	61,55
28	29540	MP450/550 BLADE TOOL	14,65
29	507000	MP450/550 BELL COVER SEAL 2PCE	14,95
30	103171	Rack	14,20
31	203127	Screw	0,35
32	29681	CMP RELEASE SWITCH ACTUATOR	9,55
32a	29946	SECU KNOB-SPRING ASSY	9,55
33	29748	CMP SWITCH ACTUATOR	18,75
33a	29947	COMMAND ARM-CAP SCREW ASS	18,75
34	29745	CMP ACTUATOR SPRING	3,75
34a	29948	ADJ SPRING-CAP SCREW ASSY	3,75
35	29680	CMP LOCK SWITCH ACTUATOR	9,55
35a	29949	LOCK KNOB SPRING ASSY	9,55
36	29683	Left handle (cover) + screw + cap + ass dark	13,40
36a	29950	LEFT HANDLE+SCREW+CAP ASS	13,40
37	29747	Screw-cap screw assembly dark	3,75
37a	29951	SCREW-CAP SCREW ASSY	3,75
38	29682	Cap assembly dark	3,75
38a	29952	CAP SCREW CMP ASSY	3,75
39	103217	Ferrule	7,70

**robot coupe®**

**CMP 300 V.V.**

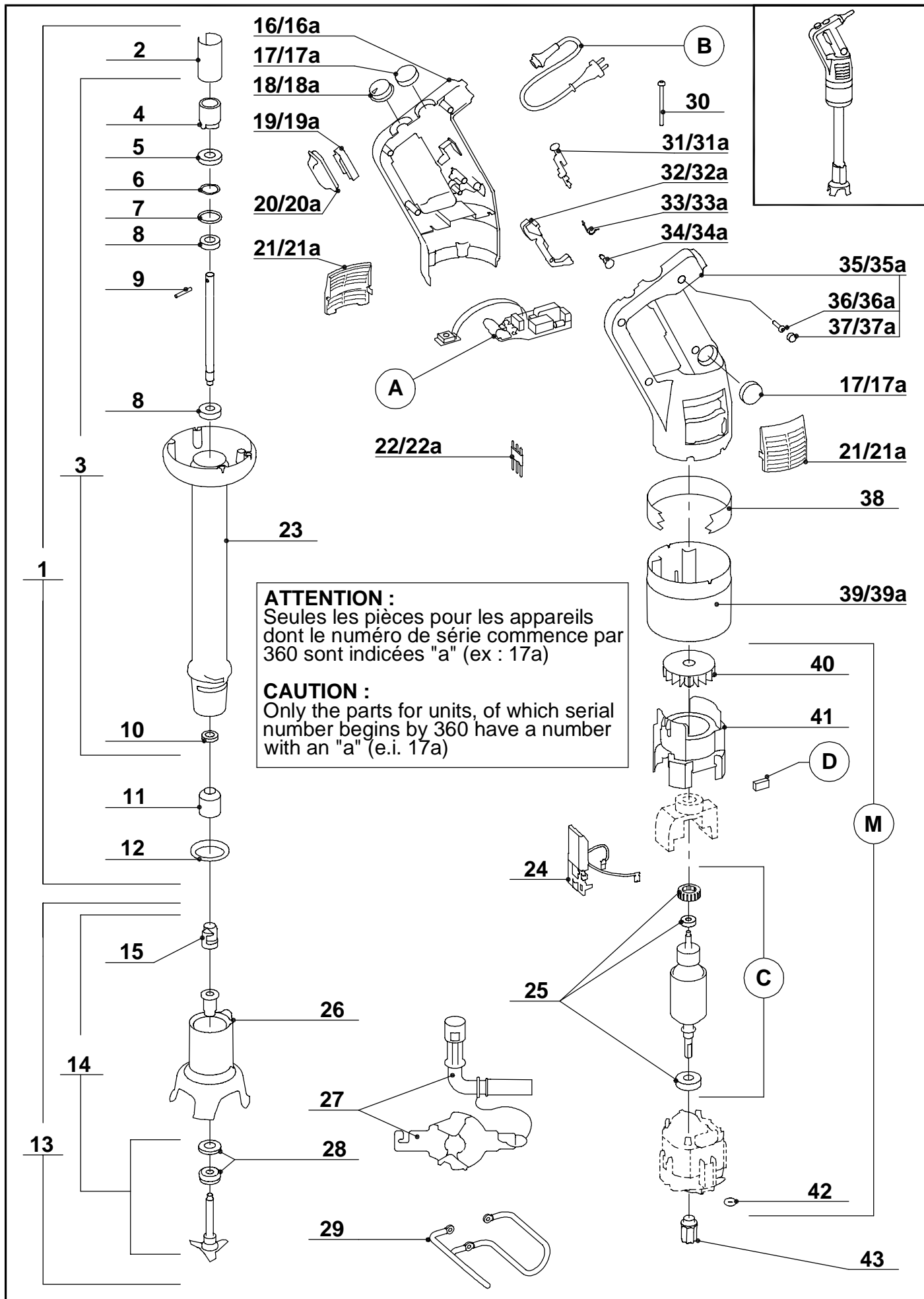
INDEX	REF.	DESIGNATION	Pricelist in : EUR
40	103123	Motor ferrule dark	6,10
40a	103812	MOTOR FERRULE CMP	6,10
41	103183	Ventilator	3,95
42	103125	Ventilator pipe	5,80
43	203125	Seal	0,30
44	102816	Driving hub	1,30

**robot coupe®**

**CMP 300 V.V.**

**Pricelist in : EUR**

N°	M	Voltage	A	B	C	D	
34230	29761 101,50	230 / 50 / 1	29751 40,55	29754 11,65	29759 37,30	504105 1,05	
34234	29761 101,50	220 / 60 / 1	29753 43,38	29754 11,65	29759 37,30	504105 1,05	
34235	29762 101,50	120 / 60 / 1	29752 40,55	29758 11,65	29760 37,30	504106 1,05	



- (A)** CIRCUIT BOARD
- (B)** CMP MAINS CABLE
- (C)** INDUCED CIRCUIT
- (D)** MOTOR BRUSH V120 CMP
- (M)** CMP350VV MOTOR

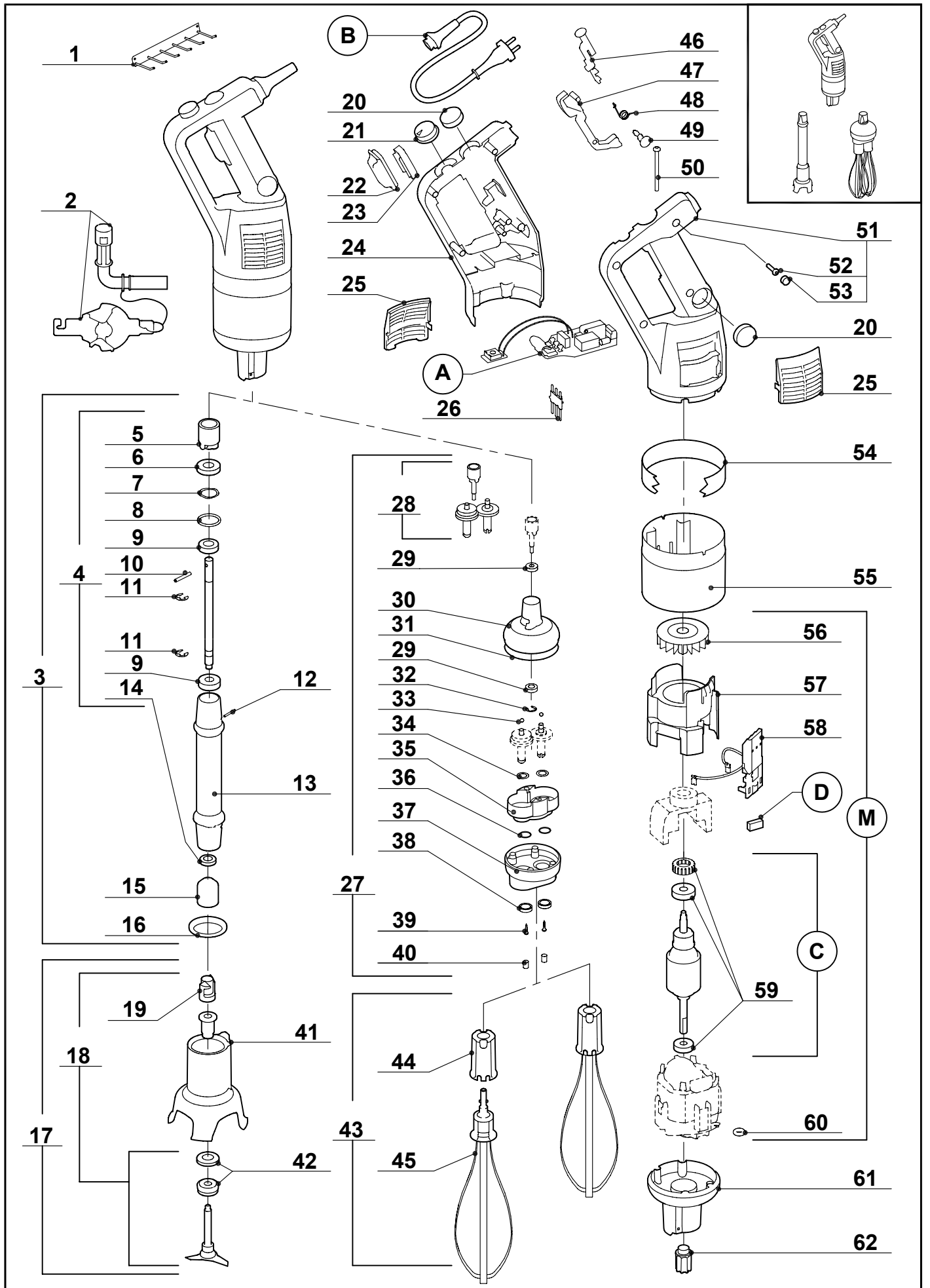
INDEX	REF.	DESIGNATION	Pricelist in : EUR
1	103231	Foot	81,90
2	103138	Open tube	2,05
3	29687	CMP350VV DRIVE SHAFT ASSEMBLY	41,25
4	102832	MP350/450 COMBI DRIVE HUB COUPLING	2,85
5	102963	Stop bearing	1,25
6	203118	Elastic ring	1,65
7	507075	MMP FOOT SEAL	1,60
8	507005	MP450/550 BEARING 608RS	3,50
9	203080	MP35/450 COMBI DRIVE SHAFT PIN	0,50
10	507004	MP450/550 SEAL 18X8X15	3,50
11	102410	MP350/450 FEMALE DRIVE COUPLING	10,00
12	102417	MP450/550 FOOT SEAL GREY	2,40
13	29678	CMP BELL COVER COMPLETE	90,10
14	29676	CMP BLADE ASSEMBLY	36,80
15	102422	MP550 MALE DRIVE COUPLING	10,00
16	29684	Right handle assembly dark	13,40
16a	29939	RIGHT 1/2 HANDLE CMP ASSY	13,40
17	29688	Cap knob-cap screw assembly dark	3,75
17a	29940	CAP KNOB-CAP SCREW ASSY	3,75
18	29743	Varia switch equi-cap screw ass.dark	4,40
18a	29941	VARIA SWIT-CAP SCREW ASSY	4,40
19	29690	Seal ring-cap screw assembly dark	3,75
19a	29943	SEAL RING-CAP SCREW ASSY	3,75
20	29689	Cap arm-cap screw assembly dark	3,75
20a	29944	CAP ARM-CAP SCRAW ASSY	3,75
21	103128	Vent cover dark	1,55
21a	103811	VENT COVER CMP	1,55
22	29749	CMP SCREW ASSEMBLY FOR PCB	5,95
22a	29945	CONNECT - CAP SCREW ASSY	5,95
23	103232	Foot	44,85
24	29750	CMP WIRING REST	10,05
25	29679	Motor bearing ass	10,70
26	29677	Bell cover ass-ring CMP	61,55
27	29540	MP450/550 BLADE TOOL	14,65
28	507000	MP450/550 BELL COVER SEAL 2PCE	14,95
29	103171	Rack	14,20
30	203127	Screw	0,35
31	29681	CMP RELEASE SWITCH ACTUATOR	9,55
31a	29946	SECU KNOB-SPRING ASSY	9,55
32	29748	CMP SWITCH ACTUATOR	18,75
32a	29947	COMMAND ARM-CAP SCREW ASS	18,75
33	29745	CMP ACTUATOR SPRING	3,75
33a	29948	ADJ SPRING-CAP SCREW ASSY	3,75
34	29680	CMP LOCK SWITCH ACTUATOR	9,55
34a	29949	LOCK KNOB SPRING ASSY	9,55
35	29683	Left handle (cover) + screw + cap + ass dark	13,40
35a	29950	LEFT HANDLE+SCREW+CAP ASS	13,40
36	29747	Screw-cap screw assembly dark	3,75
36a	29951	SCREW-CAP SCREW ASSY	3,75
37	29682	Cap assembly dark	3,75
37a	29952	CAP SCREW CMP ASSY	3,75
38	103238	Ferrule	7,70
39	103123	Motor ferrule dark	6,10
39a	103812	MOTOR FERRULE CMP	6,10
40	103183	Ventilator	3,95
41	103125	Ventilator pipe	5,80
42	203125	Seal	0,30

**robot coupe®**

**CMP 350 V.V.**

Pricelist in : EUR

N°	M	Voltage	A	B	C	D	
34250	29768 109,10	230 / 50 / 1	29751 40,55	29754 11,65	29759 37,30	504105 1,05	
34254	29768 109,10	220 / 60 / 1	29753 43,38	29754 11,65	29759 37,30	504105 1,05	
34255	29770 109,10	120 / 60 / 1	29752 40,55	29758 11,65	29760 37,30	504106 1,05	



- (A)** CIRCUIT BOARD
- (B)** CMP MAINS CABLE
- (C)** INDUCED CIRCUIT
- (D)** MOTOR BRUSH V120 CMP
- (M)** CMP250VV MOTOR

INDEX	REF.	DESIGNATION	Pricelist in : EUR
1	102897	Support mural MP combi	14,20
2	29540	MP450/550 BLADE TOOL	14,65
3	103457	CMP250VV FOOT	69,00
4	29811	DRIVING SHAFT CMP250C ASS	34,75
5	103448	DRIVING CAGE CMP COMBI	2,70
6	102963	Stop bearing	1,25
7	203118	Elastic ring	1,65
8	507075	MMP FOOT SEAL	1,60
9	507005	MP450/550 BEARING 608RS	3,50
10	203080	MP35/450 COMBI DRIVE SHAFT PIN	0,50
11	203128	Ring "E"	0,10
12	203083	MP350/450 COMBI FOOT PIN	0,50
13	103458	FOOT CMP250 COMBI	37,70
14	507004	MP450/550 SEAL 18X8X15	3,50
15	102410	MP350/450 FEMALE DRIVE COUPLING	10,00
16	102417	MP450/550 FOOT SEAL GREY	2,40
17	29678	CMP BELL COVER COMPLETE	90,10
18	29676	CMP BLADE ASSEMBLY	36,80
19	102422	MP550 MALE DRIVE COUPLING	10,00
20	29940	CAP KNOB-CAP SCREW ASSY	3,75
21	29941	VARIA SWIT-CAP SCREW ASSY	4,40
22	29944	CAP ARM-CAP SCREW ASSY	3,75
23	29943	SEAL RING-CAP SCREW ASSY	3,75
24	29939	RIGHT 1/2 HANDLE CMP ASSY	13,40
25	103811	VENT COVER CMP	1,55
26	29945	CONNECT - CAP SCREW ASSY	5,95
27	103544	CMP COMBI WHISK HUB COMPLETE	108,90
28	29801	GEARS WHIP ASSEMBLY	62,24
29	29726	Bearing-cap screw whip box ass	9,85
30	29981	ALU UPPER BODY ASSY	30,00
31	29727	Seal-cap screw ass	4,70
32	29728	Ring "E"-cap screw ass	3,20
33	29729	Ball-cap screw ass	3,55
34	29730	Wearing ring ass-cap screw ass	3,40
35	29982	LOWER PLATE WHIP BOX ALU	28,20
36	29962	SEAL WHIP BOX ALU ASSY	3,65
37	29746	CASING MMP CAP SCREW ASSY	14,05
38	29731	Seal-cap screw ass	3,55
39	29732	Screw 3*19-cap screw ass	3,40
40	29734	MP450 FW GEAR SCREW KIT	6,40
41	29677	Bell cover ass-ring CMP	61,55
42	507000	MP450/550 BELL COVER SEAL 2PCE	14,95
43	103545	CMP COMBI WHISK (ONE)	38,30
44	102740	MP450FW WHISK HUB	3,30
45	103546	FLAT STRANDS CMP	35,35
46	29946	SECU KNOB-SPRING ASSY	9,55
47	29947	COMMAND ARM-CAP SCREW ASS	18,75
48	29948	ADJ SPRING-CAP SCREW ASSY	3,75
49	29949	LOCK KNOB SPRING ASSY	9,55
50	203127	Screw	0,35
51	29950	LEFT HANDLE+SCREW+CAP ASS	13,40
52	29951	SCREW-CAP SCREW ASSY	3,75
53	29952	CAP SCREW CMP ASSY	3,75



**robot coupe®**

**CMP 250 Combi**

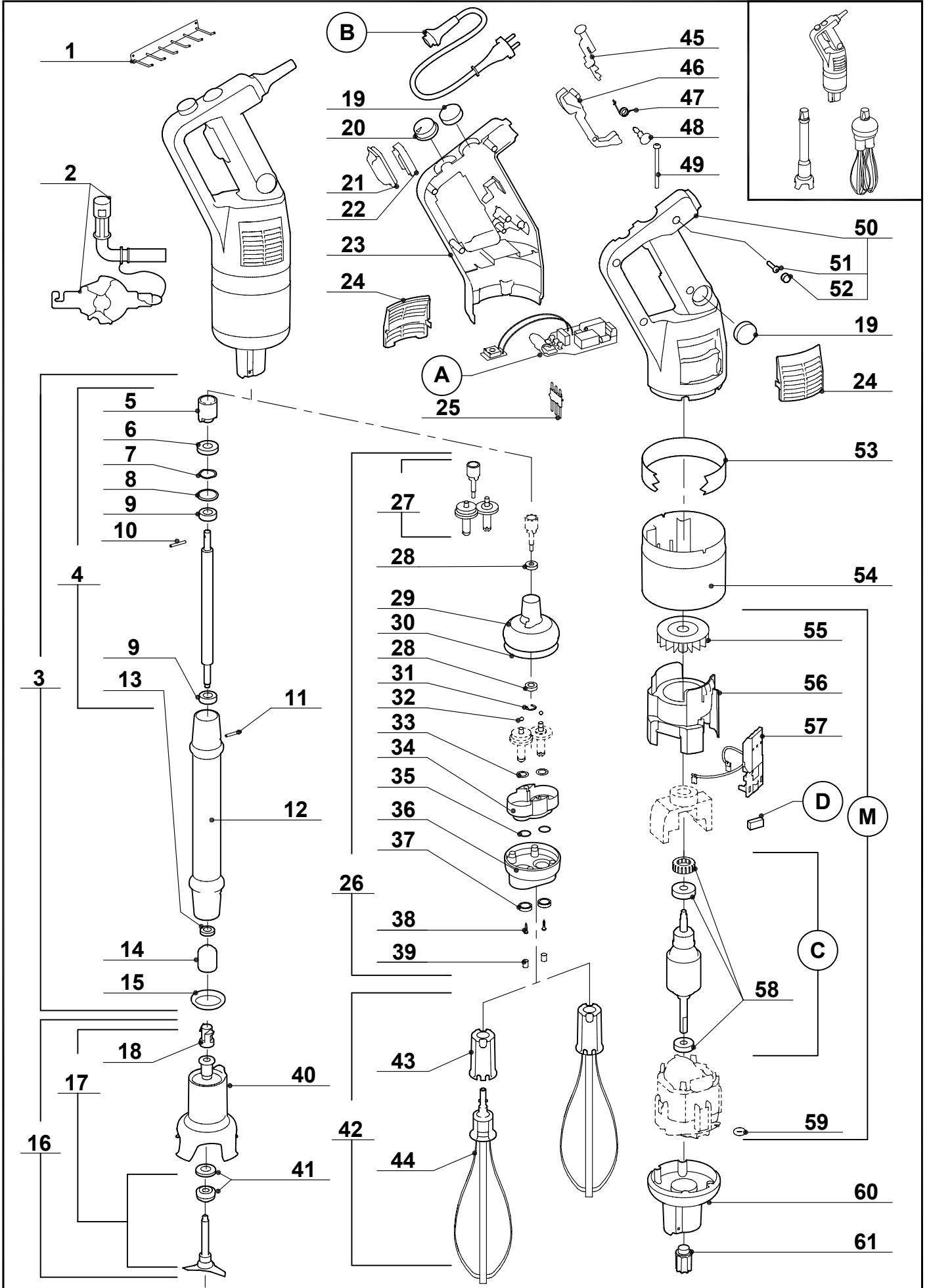
<b>INDEX</b>	<b>REF.</b>	<b>DESIGNATION</b>	<b>Pricelist in : EUR</b>
<b>54</b>	103441	FERRULE CMP250 COMBI	7,50
<b>55</b>	103812	MOTOR FERRULE CMP	6,10
<b>56</b>	103183	Ventilator	3,95
<b>57</b>	103125	Ventilator pipe	5,80
<b>58</b>	29750	CMP WIRING REST	10,05
<b>59</b>	29679	Motor bearing ass	10,70
<b>60</b>	203125	Seal	0,30
<b>61</b>	103438	ALU CASING CMP COMBI	22,25
<b>62</b>	103439	DRIVING HUB CMP COMBI	1,25

**robot coupe®**

## CMP 250 Combi

Pricelist in : EUR

N°	M	Voltage	A	B	C	D	
34300	29767 92,35	230 / 50 / 1	29751 40,55	29754 11,65	29759 37,30	504105 1,05	
34304	29767 92,35	220 / 60 / 1	29753 43,38	29754 11,65	29759 37,30	504105 1,05	
34305	29769 92,35	120 / 60 / 1	29752 40,55	29758 11,65	29760 37,30	504106 1,05	



- (A)** CIRCUIT BOARD
- (B)** CMP MAINS CABLE
- (C)** INDUCED CIRCUIT
- (D)** MOTOR BRUSH V120 CMP
- (M)** CMP300VV MOTOR

INDEX	REF.	DESIGNATION	Pricelist in : EUR
1	102897	Support mural MP combi	14,20
2	29540	MP450/550 BLADE TOOL	14,65
3	103453	COMPL FOOT CMP300 COMBI	72,60
4	29812	DRIVING SHAFT CMP300C ASS	36,55
5	103448	DRIVING CAGE CMP COMBI	2,70
6	102963	Stop bearing	1,25
7	203118	Elastic ring	1,65
8	507075	MMP FOOT SEAL	1,60
9	507005	MP450/550 BEARING 608RS	3,50
10	203080	MP35/450 COMBI DRIVE SHAFT PIN	0,50
11	203083	MP350/450 COMBI FOOT PIN	0,50
12	103454	FOOT CMP300 COMBI	39,65
13	507004	MP450/550 SEAL 18X8X15	3,50
14	102410	MP350/450 FEMALE DRIVE COUPLING	10,00
15	102417	MP450/550 FOOT SEAL GREY	2,40
16	29678	CMP BELL COVER COMPLETE	90,10
17	29676	CMP BLADE ASSEMBLY	36,80
18	102422	MP550 MALE DRIVE COUPLING	10,00
19	29940	CAP KNOB-CAP SCREW ASSY	3,75
20	29941	VARIA SWIT-CAP SCREW ASSY	4,40
21	29944	CAP ARM-CAP SCREW ASSY	3,75
22	29943	SEAL RING-CAP SCREW ASSY	3,75
23	29939	RIGHT 1/2 HANDLE CMP ASSY	13,40
24	103811	VENT COVER CMP	1,55
25	29945	CONNECT - CAP SCREW ASSY	5,95
26	103544	CMP COMBI WHISK HUB COMPLETE	108,90
27	29801	GEARS WHIP ASSEMBLY	62,24
28	29726	Bearing-cap screw whip box ass	9,85
29	29981	ALU UPPER BODY ASSY	30,00
30	29727	Seal-cap screw ass	4,70
31	29728	Ring "E"-cap screw ass	3,20
32	29729	Ball-cap screw ass	3,55
33	29730	Wearing ring ass-cap screw ass	3,40
34	29982	LOWER PLATE WHIP BOX ALU	28,20
35	29962	SEAL WHIP BOX ALU ASSY	3,65
36	29746	CASING MMP CAP SCREW ASSY	14,05
37	29731	Seal-cap screw ass	3,55
38	29732	Screw 3*19-cap screw ass	3,40
39	29734	MP450 FW GEAR SCREW KIT	6,40
40	29677	Bell cover ass-ring CMP	61,55
41	507000	MP450/550 BELL COVER SEAL 2PCE	14,95
42	103545	CMP COMBI WHISK (ONE)	38,30
43	102740	MP450FW WHISK HUB	3,30
44	103546	FLAT STRANDS CMP	35,35
45	29946	SECU KNOB-SPRING ASSY	9,55
46	29947	COMMAND ARM-CAP SCREW ASS	18,75
47	29948	ADJ SPRING-CAP SCREW ASSY	3,75
48	29949	LOCK KNOB SPRING ASSY	9,55
49	203127	Screw	0,35
50	29950	LEFT HANDLE+SCREW+CAP ASS	13,40
51	29951	SCREW-CAP SCREW ASSY	3,75
52	29952	CAP SCREW CMP ASSY	3,75
53	103442	FERRULE CMP300 COMBI	7,50

**robot coupe®**

**CMP 300 Combi**

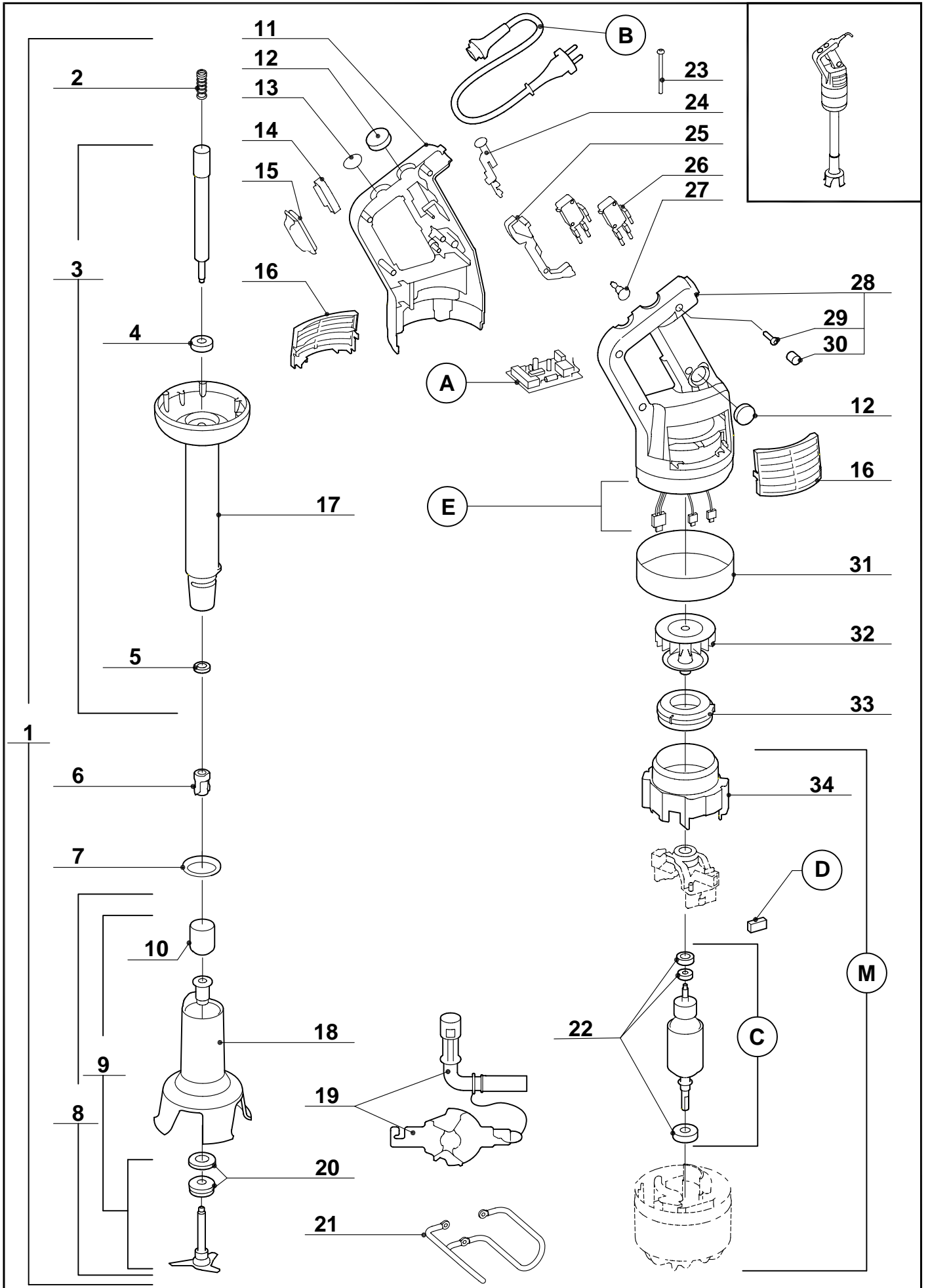
INDEX	REF.	DESIGNATION	Pricelist in : EUR
54	103812	MOTOR FERRULE CMP	6,10
55	103183	Ventilator	3,95
56	103125	Ventilator pipe	5,80
57	29750	CMP WIRING REST	10,05
58	29679	Motor bearing ass	10,70
59	203125	Seal	0,30
60	103438	ALU CASING CMP COMBI	22,25
61	103439	DRIVING HUB CMP COMBI	1,25

**robot coupe®**

## CMP 300 Combi

Pricelist in : EUR

N°	M	Voltage	A	B	C	D	
34310	29761 101,50	230 / 50 / 1	29751 40,55	29754 11,65	29759 37,30	504105 1,05	
34314	29761 101,50	220 / 60 / 1	29753 43,38	29754 11,65	29759 37,30	504105 1,05	
34315	29762 101,50	120 / 60 / 1	29752 40,55	29758 11,65	29760 37,30	504106 1,05	



- (A)** CIRCUIT BOARD
- (B)** POWER CORD
- (C)** INDUCED CIRCUIT
- (D)** 120 V MP BRUSHES
- (E)** ELECTRICAL WIRING
- (M)** MOTOR

INDEX	REF.	DESIGNATION	Pricelist in : EUR
1	39048	Foot 350 Assembly	133,05
2	102570	MP450/550 DRIVE SHAFT SPRING	0,70
3	29538	MP350 DRIVE SHAFT ASSEMBLY	39,20
4	507005	MP450/550 BEARING 608RS	3,50
5	507004	MP450/550 SEAL 18X8X15	3,50
6	102422	MP550 MALE DRIVE COUPLING	10,00
7	102417	MP450/550 FOOT SEAL GREY	2,40
8	29505	MP450 BELL COVER COMPLETE	100,15
9	29503	MP450 BLADE ASSEMBLY	36,85
10	102410	MP350/450 FEMALE DRIVE COUPLING	10,00
11	29547	MP450/550 R/HAND HANDLE CASE	17,55
12	29669	MP450 CAP COVER	3,40
13	29670	MP450 HANDLE CAP COVER	3,40
14	29718	MP450 SEAL SCREW CAP ASSEMBLY	3,40
15	29717	MP450 ARM CAP ASSEMBLY	3,40
16	102437	MP450/550 VENT COVER	1,80
17	102731	MP350 FOOT	62,85
18	29504	MP450 BELL COVER ASSEMBLY	68,35
19	29540	MP450/550 BLADE TOOL	14,65
20	507000	MP450/550 BELL COVER SEAL 2PCE	14,95
21	102439	MP WALL SUPPORT	13,50
22	29507	Motor bearing ass	12,75
23	203057	MP450/550 CASING SCREW	0,35
24	29543	MP450/550 RELEASE SWITCH ACTUATOR	8,70
25	29541	MP450/550 ON/OFF SWITCH ACTUATOR	17,05
26	29671	Microswitch-cap screw ass	4,65
27	29542	MP450/550 SWITCH LOCK ACTUATOR	8,70
28	29545	MP450/550 LEFT HAND HANDLE CASE	17,55
29	29733	MP450/550 SCREW & COVER	3,40
30	29544	Cap ass	3,70
31	102735	MP350 LEGEND BAND	7,75
32	102940	Deflector turbine	4,75
33	102728	Air duct	2,30
34	503058	MP450/550 MOTOR FAN GUARD	2,15

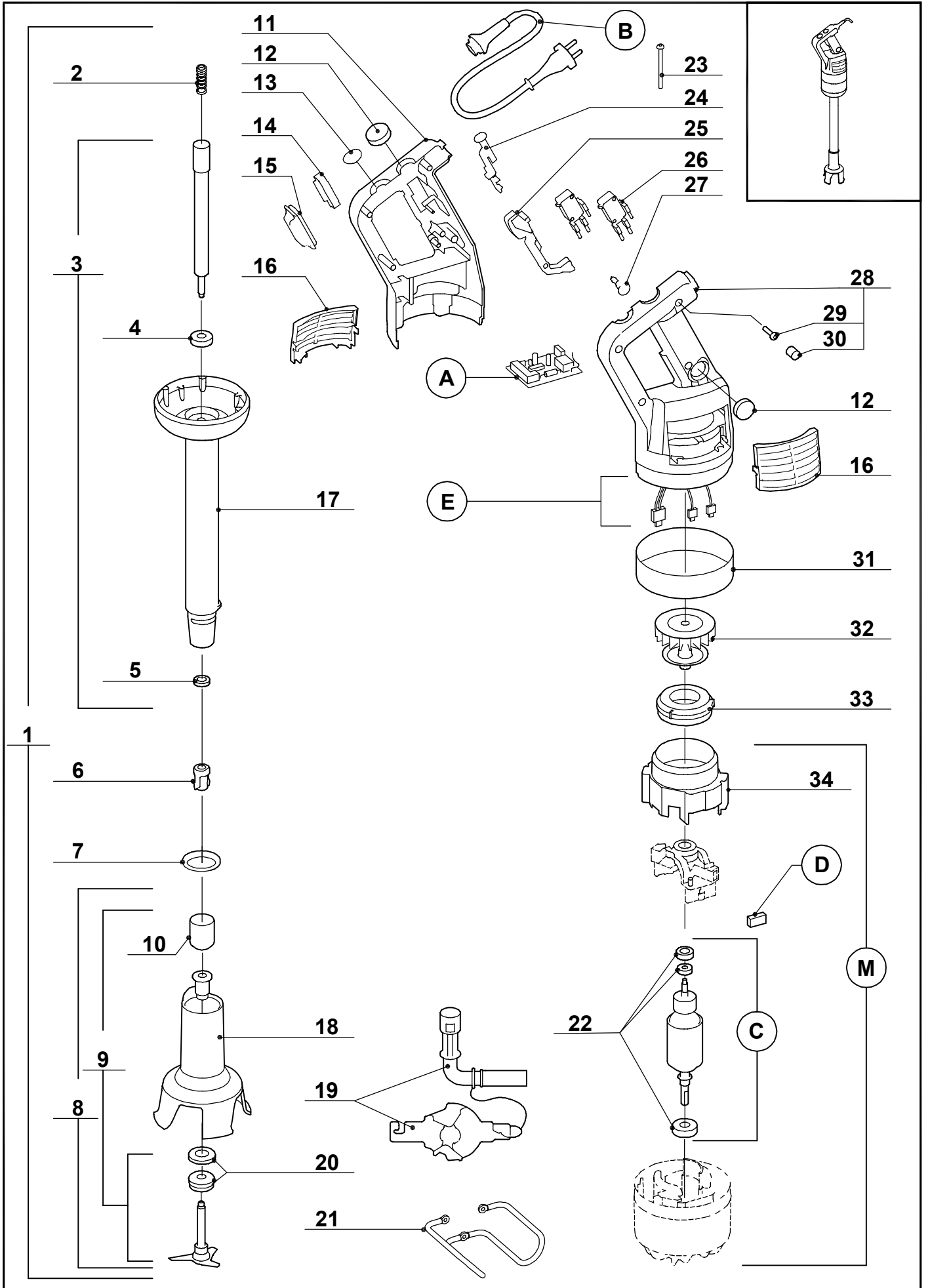


**robot coupe®**

**MP 350**

Pricelist in : EUR

N°	M	Voltage	A	B	C	D	E	
34014	303093 113,35	220 / 60 / 1	29673 30,20	29715 6,80	29508 51,50	503059 1,20	29512 9,30	
34015	303093 113,35	230 / 50 / 1	29673 30,20	29715 6,80	29508 51,50	503059 1,20	29512 9,30	
34016	303094 113,35	120 / 60 / 1	29674 30,20	29716 6,80	29509 51,50	503060 1,20	29513 9,30	



- (A)** CIRCUIT BOARD
- (B)** POWER CORD
- (C)** INDUCED CIRCUIT
- (D)** 120 V MP BRUSHES
- (E)** ELECTRICAL WIRING
- (M)** MOTOR

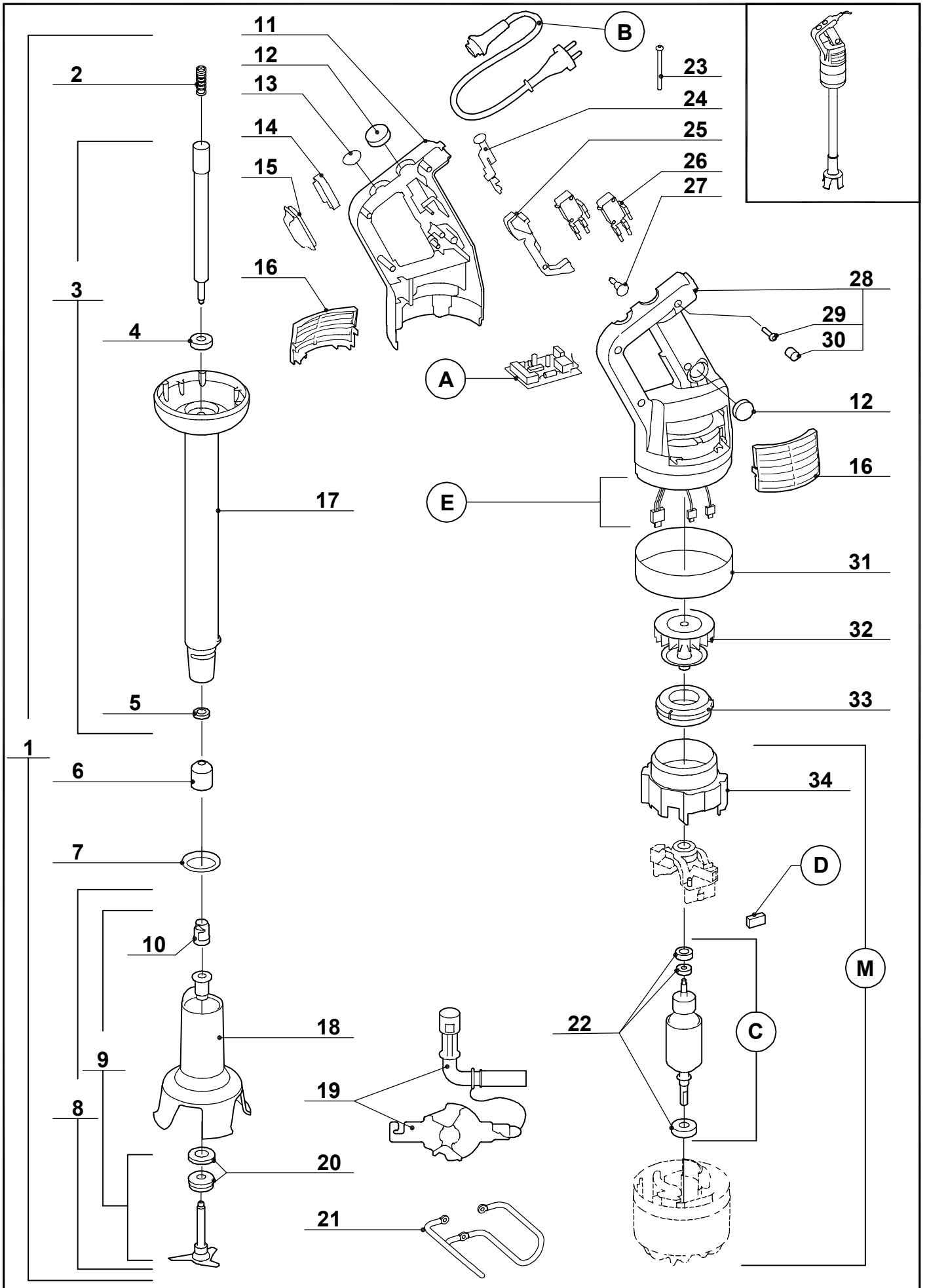
INDEX	REF.	DESIGNATION	Pricelist in : EUR
1	39049	Foot 450 Assembly	140,45
2	102570	MP450/550 DRIVE SHAFT SPRING	0,70
3	29506	MP450 DRIVE SHAFT ASSEMBLY	48,70
4	507005	MP450/550 BEARING 608RS	3,50
5	507004	MP450/550 SEAL 18X8X15	3,50
6	102422	MP550 MALE DRIVE COUPLING	10,00
7	102417	MP450/550 FOOT SEAL GREY	2,40
8	29505	MP450 BELL COVER COMPLETE	100,15
9	29503	MP450 BLADE ASSEMBLY	36,85
10	102410	MP350/450 FEMALE DRIVE COUPLING	10,00
11	29547	MP450/550 R/HAND HANDLE CASE	17,55
12	29669	MP450 CAP COVER	3,40
13	29670	MP450 HANDLE CAP COVER	3,40
14	29718	MP450 SEAL SCREW CAP ASSEMBLY	3,40
15	29717	MP450 ARM CAP ASSEMBLY	3,40
16	102437	MP450/550 VENT COVER	1,80
17	102411	MP450 FOOT	77,75
18	29504	MP450 BELL COVER ASSEMBLY	68,35
19	29540	MP450/550 BLADE TOOL	14,65
20	507000	MP450/550 BELL COVER SEAL 2PCE	14,95
21	102439	MP WALL SUPPORT	13,50
22	29507	Motor bearing ass	12,75
23	203057	MP450/550 CASING SCREW	0,35
24	29543	MP450/550 RELEASE SWITCH ACTUATOR	8,70
25	29541	MP450/550 ON/OFF SWITCH ACTUATOR	17,05
26	29671	Microswitch-cap screw ass	4,65
27	29542	MP450/550 SWITCH LOCK ACTUATOR	8,70
28	29545	MP450/550 LEFT HAND HANDLE CASE	17,55
29	29733	MP450/550 SCREW & COVER	3,40
30	29544	Cap ass	3,70
31	102572	MP450 LEGEND BAND	7,75
32	102940	Deflector turbine	4,75
33	102728	Air duct	2,30
34	503058	MP450/550 MOTOR FAN GUARD	2,15

**robot coupe®**

**MP 450**

Pricelist in : EUR

N°	M	Voltage	A	B	C	D	E	
34000	302006 113,35	230 / 50 / 1	29673 30,20	29715 6,80	29508 51,50	503059 1,20	29512 9,30	
34002	302022 113,35	120 / 60 / 1	29674 30,20	29716 6,80	29509 51,50	503060 1,20	29513 9,30	
34008	302006 113,35	220 / 60 / 1	29673 30,20	29715 6,80	29508 51,50	503059 1,20	29512 9,30	



- (A)** CIRCUIT BOARD
- (B)** POWER CORD
- (C)** INDUCED CIRCUIT
- (D)** 120 V MP BRUSHES
- (E)** ELECTRICAL WIRING
- (M)** MOTOR

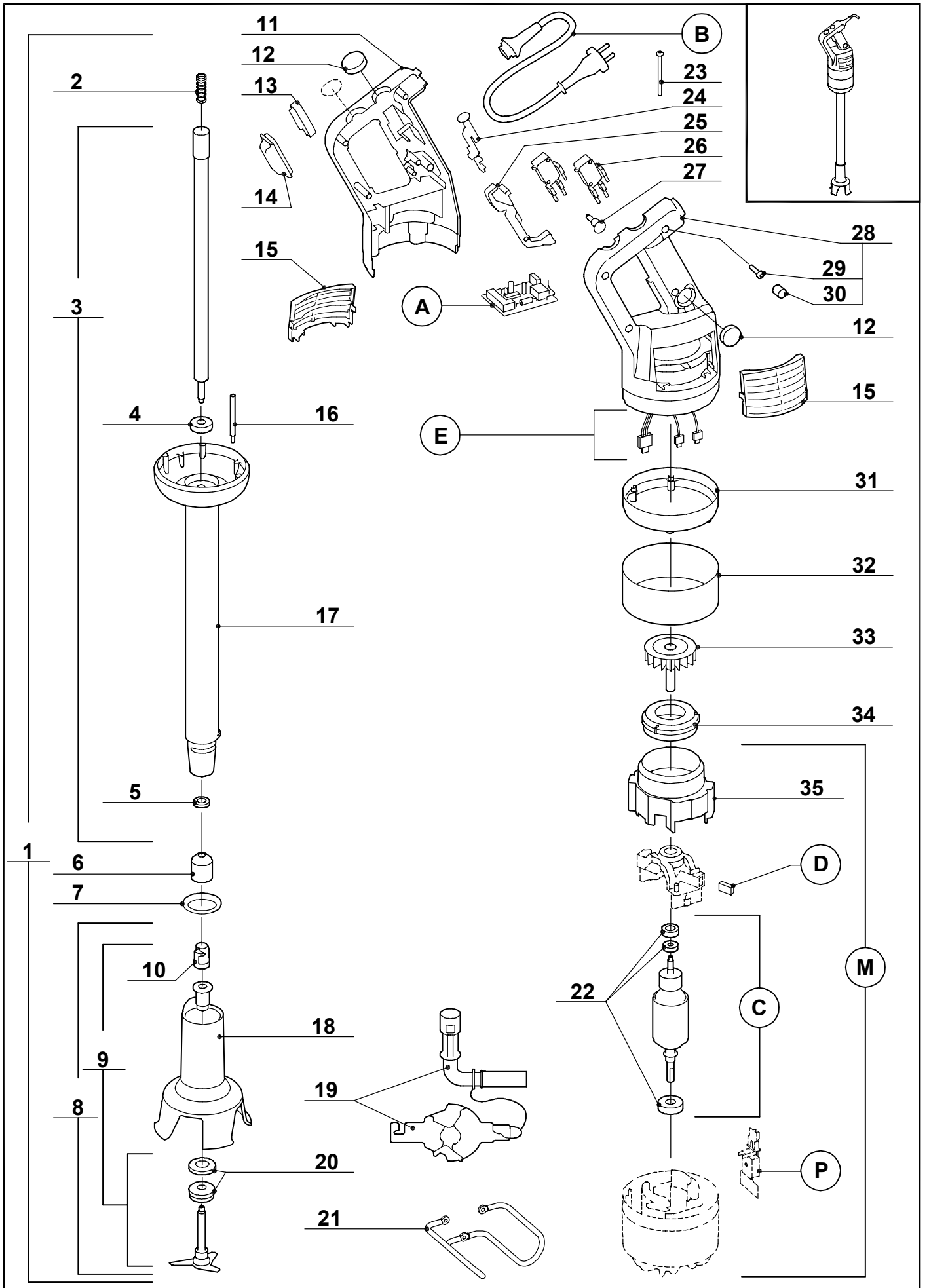
INDEX	REF.	DESIGNATION	Pricelist in : EUR
1	39050	Foot 550 Assembly	161,60
2	102570	MP450/550 DRIVE SHAFT SPRING	0,70
3	29559	MP550 DRIVE SHAFT ASSEMBLY	53,85
4	507005	MP450/550 BEARING 608RS	3,50
5	507004	MP450/550 SEAL 18X8X15	3,50
6	102410	MP350/450 FEMALE DRIVE COUPLING	10,00
7	102417	MP450/550 FOOT SEAL GREY	2,40
8	29558	MP550 BELL COVER COMPLETE	130,10
9	29555	MP550 BLADE ASSEMBLY	47,85
10	102422	MP550 MALE DRIVE COUPLING	10,00
11	29547	MP450/550 R/HAND HANDLE CASE	17,55
12	29669	MP450 CAP COVER	3,40
13	29670	MP450 HANDLE CAP COVER	3,40
14	29718	MP450 SEAL SCREW CAP ASSEMBLY	3,40
15	29717	MP450 ARM CAP ASSEMBLY	3,40
16	102437	MP450/550 VENT COVER	1,80
17	102446	MP550 FOOT	86,45
18	29556	MP550 BELL COVER ASSEMBLY	88,80
19	29540	MP450/550 BLADE TOOL	14,65
20	507000	MP450/550 BELL COVER SEAL 2PCE	14,95
21	102439	MP WALL SUPPORT	13,50
22	29507	Motor bearing ass	12,75
23	203057	MP450/550 CASING SCREW	0,35
24	29543	MP450/550 RELEASE SWITCH ACTUATOR	8,70
25	29541	MP450/550 ON/OFF SWITCH ACTUATOR	17,05
26	29671	Microswitch-cap screw ass	4,65
27	29542	MP450/550 SWITCH LOCK ACTUATOR	8,70
28	29545	MP450/550 LEFT HAND HANDLE CASE	17,55
29	29733	MP450/550 SCREW & COVER	3,40
30	29544	Cap ass	3,70
31	102573	MP550 LEGEND BAND	7,75
32	102940	Deflector turbine	4,75
33	102728	Air duct	2,30
34	503058	MP450/550 MOTOR FAN GUARD	2,15

**robot coupe®**

**MP 550**

Pricelist in : EUR

N°	M	Voltage	A	B	C	D	E	
34001	302007 142,15	230 / 50 / 1	29724 30,20	29715 6,80	29510 67,30	503059 1,20	29512 9,30	
34003	302023 142,15	120 / 60 / 1	29725 30,20	29716 6,80	29511 67,30	503060 1,20	29513 9,30	
34009	302007 142,15	220 / 60 / 1	29724 30,20	29715 6,80	29510 67,30	503059 1,20	29512 9,30	





- (A)** MP600 PCB
- (B)** POWER CORD
- (C)** MP450 FW BLENDER
- (D)** 230 V MP BRUSHES
- (E)** MP450/550 WIRING HARNESS
- (M)** MP600 120V MOTOR
- (P)** MP600 EQUIPPED RECTIFIER

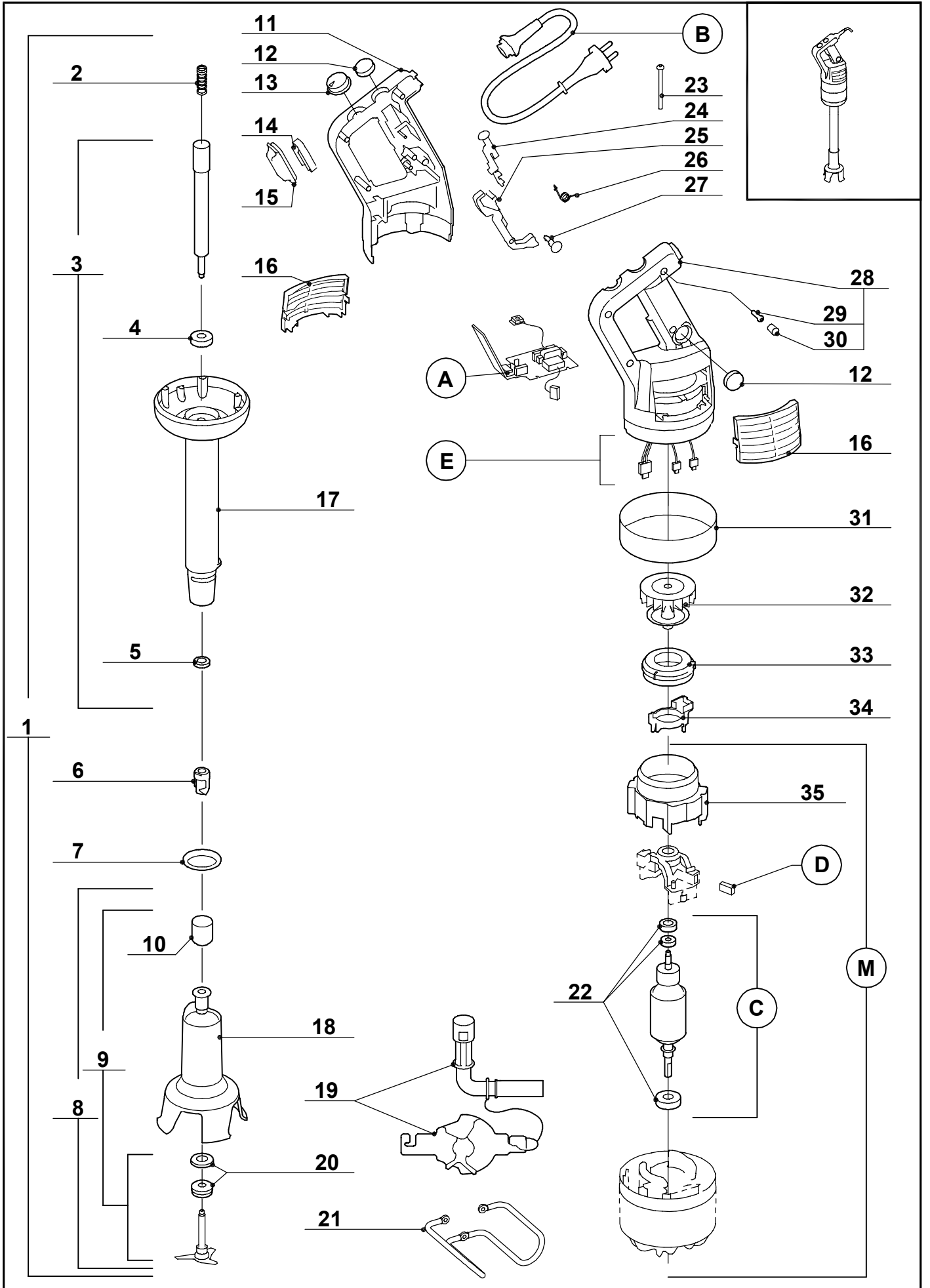
INDEX	REF.	DESIGNATION	Pricelist in : EUR
1	39051	Foot 600 Assembly	193,25
2	102570	MP450/550 DRIVE SHAFT SPRING	0,70
3	29968	MP600 DRIVE SHAFT	64,45
4	507005	MP450/550 BEARING 608RS	3,50
5	507004	MP450/550 SEAL 18X8X15	3,50
6	102410	MP350/450 FEMALE DRIVE COUPLING	10,00
7	102417	MP450/550 FOOT SEAL GREY	2,40
8	29558	MP550 BELL COVER COMPLETE	130,10
9	29555	MP550 BLADE ASSEMBLY	47,85
10	102422	MP550 MALE DRIVE COUPLING	10,00
11	29969	Right Handle assembly	22,20
12	29669	MP450 CAP COVER	3,40
13	29718	MP450 SEAL SCREW CAP ASSEMBLY	3,40
14	29717	MP450 ARM CAP ASSEMBLY	3,40
15	102437	MP450/550 VENT COVER	1,80
16	103831	MP600 SCREWED SPACER	0,95
17	103351	MP600 FOOT	94,05
18	29556	MP550 BELL COVER ASSEMBLY	88,80
19	29540	MP450/550 BLADE TOOL	14,65
20	507000	MP450/550 BELL COVER SEAL 2PCE	14,95
21	102439	MP WALL SUPPORT	13,50
22	29507	Motor bearing ass	12,75
23	203168	M4X60 SCREW	0,35
24	29543	MP450/550 RELEASE SWITCH ACTUATOR	8,70
25	29541	MP450/550 ON/OFF SWITCH ACTUATOR	17,05
26	29671	Microswitch-cap screw ass	4,65
27	29452	Switch ass	74,55
28	29970	L Handle(cover)+screw+cap ass	22,20
29	29733	MP450/550 SCREW & COVER	3,40
30	29544	Cap ass	3,70
31	103833	MP600 MOTOR FERRULE	4,40
32	103344	MP600 NAME FERRULE	9,25
33	103349	D69 VENTILATOR	4,75
34	103375	MP600 MOTOR PIPE	2,60
35	503058	MP450/550 MOTOR FAN GUARD	2,15

**robot coupe**

**MP 600**

Pricelist in : EUR

N°	M	Voltage	A	B	C	D	E	P	
34060	303117 170,20	230 / 50 / 1	29973 30,15	29715 6,80	29976 80,55	503059 1,20	29512 9,30	---	
34064	303117 170,20	220 / 60 / 1	29973 30,15	29715 6,80	29976 80,55	503059 1,20	29512 9,30	---	
34065	303118 170,20	120 / 60 / 1	29971 30,15	29716 6,80	29977 80,55	507180 1,20	29972 9,30	507186 13,05	



- (A)** CIRCUIT BOARD
- (B)** POWER CORD
- (C)** INDUCED CIRCUIT
- (D)** 120 V MP BRUSHES
- (E)** ELECTRICAL WIRING
- (M)** MOTOR

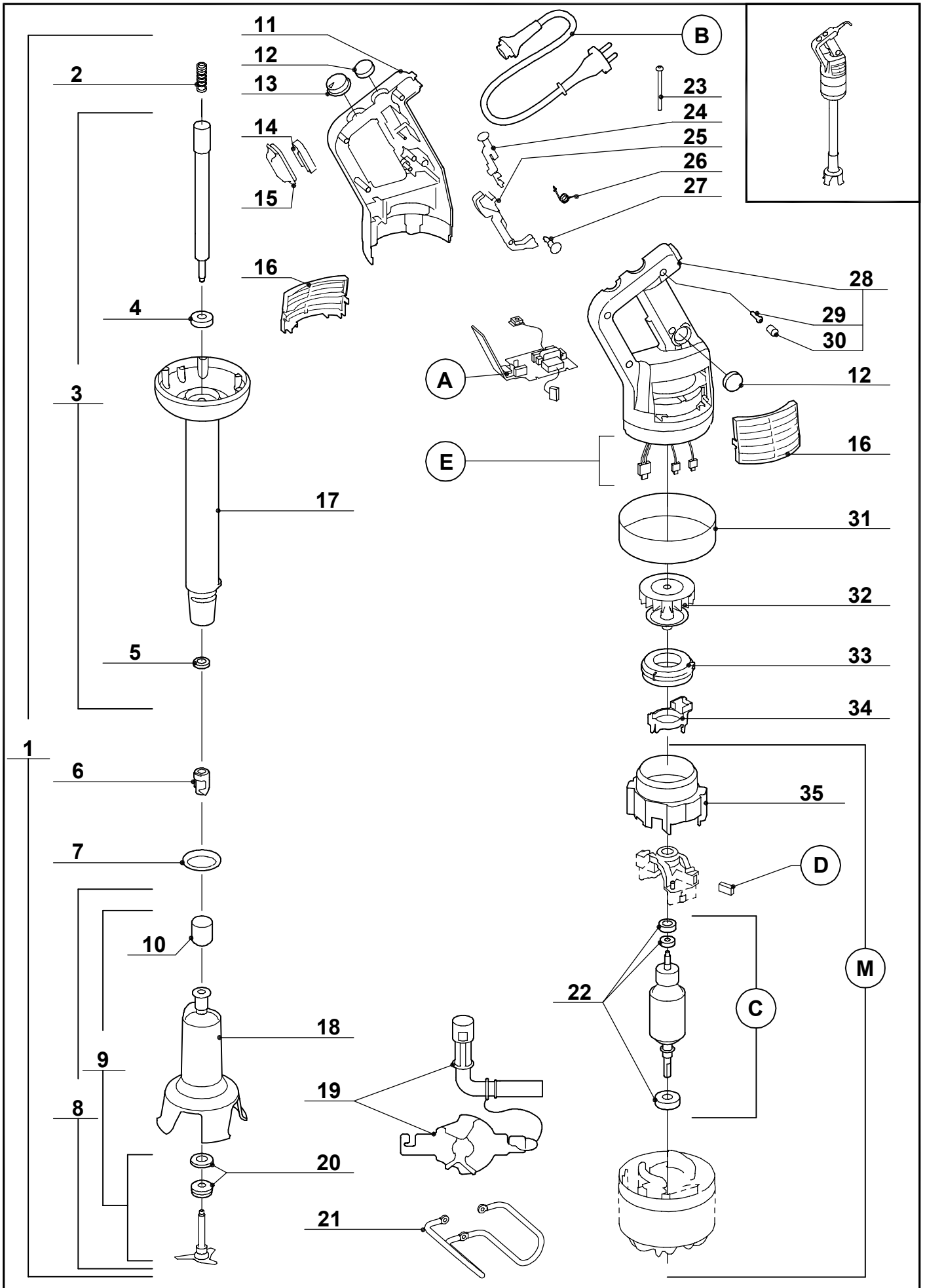
INDEX	REF.	DESIGNATION	Pricelist in : EUR
1	39048	Foot 350 Assembly	133,05
2	102570	MP450/550 DRIVE SHAFT SPRING	0,70
3	29538	MP350 DRIVE SHAFT ASSEMBLY	39,20
4	507005	MP450/550 BEARING 608RS	3,50
5	507004	MP450/550 SEAL 18X8X15	3,50
6	102422	MP550 MALE DRIVE COUPLING	10,00
7	102417	MP450/550 FOOT SEAL GREY	2,40
8	29505	MP450 BELL COVER COMPLETE	100,15
9	29503	MP450 BLADE ASSEMBLY	36,85
10	102410	MP350/450 FEMALE DRIVE COUPLING	10,00
11	29547	MP450/550 R/HAND HANDLE CASE	17,55
12	29669	MP450 CAP COVER	3,40
13	29719	MP350/450 COMBI/VV SWITCH COVER SET	4,05
14	29718	MP450 SEAL SCREW CAP ASSEMBLY	3,40
15	29717	MP450 ARM CAP ASSEMBLY	3,40
16	102437	MP450/550 VENT COVER	1,80
17	102731	MP350 FOOT	62,85
18	29504	MP450 BELL COVER ASSEMBLY	68,35
19	29540	MP450/550 BLADE TOOL	14,65
20	507000	MP450/550 BELL COVER SEAL 2PCE	14,95
21	102439	MP WALL SUPPORT	13,50
22	29507	Motor bearing ass	12,75
23	203057	MP450/550 CASING SCREW	0,35
24	29543	MP450/550 RELEASE SWITCH ACTUATOR	8,70
25	29721	Command arm-cap screw ass	17,05
26	29720	Adjusting spring-cap screw ass	3,40
27	29542	MP450/550 SWITCH LOCK ACTUATOR	8,70
28	29545	MP450/550 LEFT HAND HANDLE CASE	17,55
29	29733	MP450/550 SCREW & COVER	3,40
30	29544	Cap ass	3,70
31	102961	Ferrule MP 350 V.V.	7,75
32	102958	Ventilator-aimant	4,75
33	102728	Air duct	2,30
34	102741	Self rest	0,85
35	503058	MP450/550 MOTOR FAN GUARD	2,15

**robot coupe®**

**MP 350 V.V.**

Pricelist in : EUR

N°	M	Voltage	A	B	C	D	E	
34030	303093 113,35	230 / 50 / 1	29735 42,80	29675 10,60	29508 51,50	503059 1,20	29550 9,30	
34034	303093 113,35	220 / 60 / 1	29735 42,80	29675 10,60	29508 51,50	503059 1,20	29550 9,30	
34035	303094 113,35	120 / 60 / 1	29723 42,80	29713 10,60	29509 51,50	503060 1,20	29551 9,30	



- (A)** CIRCUIT BOARD
- (B)** POWER CORD
- (C)** INDUCED CIRCUIT
- (D)** 120 V MP BRUSHES
- (E)** ELECTRICAL WIRING
- (M)** MOTOR

INDEX	REF.	DESIGNATION	Pricelist in : EUR
1	39049	Foot 450 Assembly	140,45
2	102570	MP450/550 DRIVE SHAFT SPRING	0,70
3	29506	MP450 DRIVE SHAFT ASSEMBLY	48,70
4	507005	MP450/550 BEARING 608RS	3,50
5	507004	MP450/550 SEAL 18X8X15	3,50
6	102422	MP550 MALE DRIVE COUPLING	10,00
7	102417	MP450/550 FOOT SEAL GREY	2,40
8	29505	MP450 BELL COVER COMPLETE	100,15
9	29503	MP450 BLADE ASSEMBLY	36,85
10	102410	MP350/450 FEMALE DRIVE COUPLING	10,00
11	29547	MP450/550 R/HAND HANDLE CASE	17,55
12	29669	MP450 CAP COVER	3,40
13	29719	MP350/450 COMBI/VV SWITCH COVER SET	4,05
14	29718	MP450 SEAL SCREW CAP ASSEMBLY	3,40
15	29717	MP450 ARM CAP ASSEMBLY	3,40
16	102437	MP450/550 VENT COVER	1,80
17	102411	MP450 FOOT	77,75
18	29504	MP450 BELL COVER ASSEMBLY	68,35
19	29540	MP450/550 BLADE TOOL	14,65
20	507000	MP450/550 BELL COVER SEAL 2PCE	14,95
21	102439	MP WALL SUPPORT	13,50
22	29507	Motor bearing ass	12,75
23	203057	MP450/550 CASING SCREW	0,35
24	29543	MP450/550 RELEASE SWITCH ACTUATOR	8,70
25	29721	Command arm-cap screw ass	17,05
26	29720	Adjusting spring-cap screw ass	3,40
27	29542	MP450/550 SWITCH LOCK ACTUATOR	8,70
28	29545	MP450/550 LEFT HAND HANDLE CASE	17,55
29	29733	MP450/550 SCREW & COVER	3,40
30	29544	Cap ass	3,70
31	102962	Ferrule MP 450 V.V.	7,75
32	102958	Ventilator-aimant	4,75
33	102728	Air duct	2,30
34	102741	Self rest	0,85
35	503058	MP450/550 MOTOR FAN GUARD	2,15

**robot coupe®**

**MP 450 V.V.**

Pricelist in : EUR

N°	M	Voltage	A	B	C	D	E	
34040	302006 113,35	230 / 50 / 1	29735 42,80	29675 10,60	29508 51,50	503059 1,20	29550 9,30	
34044	302006 113,35	220 / 60 / 1	29735 42,80	29675 10,60	29508 51,50	503059 1,20	29550 9,30	
34045	302022 113,35	120 / 60 / 1	29723 42,80	29713 10,60	29509 51,50	503060 1,20	29551 9,30	





- (A)** CIRCUIT BOARD
- (B)** POWER CORD
- (C)** INDUCED CIRCUIT
- (D)** 120 V MP BRUSHES
- (E)** ELECTRICAL WIRING
- (M)** MOTOR

INDEX	REF.	DESIGNATION	Pricelist in : EUR
1	29540	MP450/550 BLADE TOOL	14,65
2	102897	Support mural MP combi	14,20
3	102885	MP350 DRIVE SHAFT COMPLETE	81,90
4	29548	Driving shaft MP 350 C ass	41,25
5	102832	MP350/450 COMBI DRIVE HUB COUPLING	2,85
6	102963	Stop bearing	1,25
7	203118	Elastic ring	1,65
8	507075	MMP FOOT SEAL	1,60
9	507005	MP450/550 BEARING 608RS	3,50
10	203080	MP35/450 COMBI DRIVE SHAFT PIN	0,50
11	203083	MP350/450 COMBI FOOT PIN	0,50
12	102884	MP350 COMBI FOOT	44,85
13	507004	MP450/550 SEAL 18X8X15	3,50
14	102422	MP550 MALE DRIVE COUPLING	10,00
15	102417	MP450/550 FOOT SEAL GREY	2,40
16	29505	MP450 BELL COVER COMPLETE	100,15
17	29503	MP450 BLADE ASSEMBLY	36,85
18	102410	MP350/450 FEMALE DRIVE COUPLING	10,00
19	29547	MP450/550 R/HAND HANDLE CASE	17,55
20	29669	MP450 CAP COVER	3,40
21	29719	MP350/450 COMBI/VV SWITCH COVER SET	4,05
22	29718	MP450 SEAL SCREW CAP ASSEMBLY	3,40
23	29717	MP450 ARM CAP ASSEMBLY	3,40
24	102437	MP450/550 VENT COVER	1,80
25	103957	MP450 DRIVE GEAR COMPLETE	115,50
26	29647	MP450FW GEAR ASSEMBLY	58,25
27	29726	Bearing-cap screw whip box ass	9,85
28	29553	Upper body ass FW	10,70
28a	29981	ALU UPPER BODY ASSY	30,00
29	29727	Seal-cap screw ass	4,70
30	29728	Ring "E"-cap screw ass	3,20
31	29729	Ball-cap screw ass	3,55
32	29730	Wearing ring ass-cap screw ass	3,40
33a	29982	LOWER PLATE WHIP BOX ALU	28,20
34a	29962	SEAL WHIP BOX ALU ASSY	3,65
35	29554	Lower body ass FW	14,05
35a	29963	ALU LOWER BODY WHIP BOX	21,65
36	29731	Seal-cap screw ass	3,55
37	29732	Screw 3*19-cap screw ass	3,40
38	29734	MP450 FW GEAR SCREW KIT	6,40
39	29504	MP450 BELL COVER ASSEMBLY	68,35
40	507000	MP450/550 BELL COVER SEAL 2PCE	14,95
41	102880	MP350/450 WHISK (ONE)	51,20
42	102740	MP450FW WHISK HUB	3,30
43	102813	Flat strands	47,90
44	29543	MP450/550 RELEASE SWITCH ACTUATOR	8,70
45	29721	Command arm-cap screw ass	17,05
46	29720	Adjusting spring-cap screw ass	3,40
47	29542	MP450/550 SWITCH LOCK ACTUATOR	8,70
48	203057	MP450/550 CASING SCREW	0,35
49	29545	MP450/550 LEFT HAND HANDLE CASE	17,55

robot coupe®

MP 350 Combi

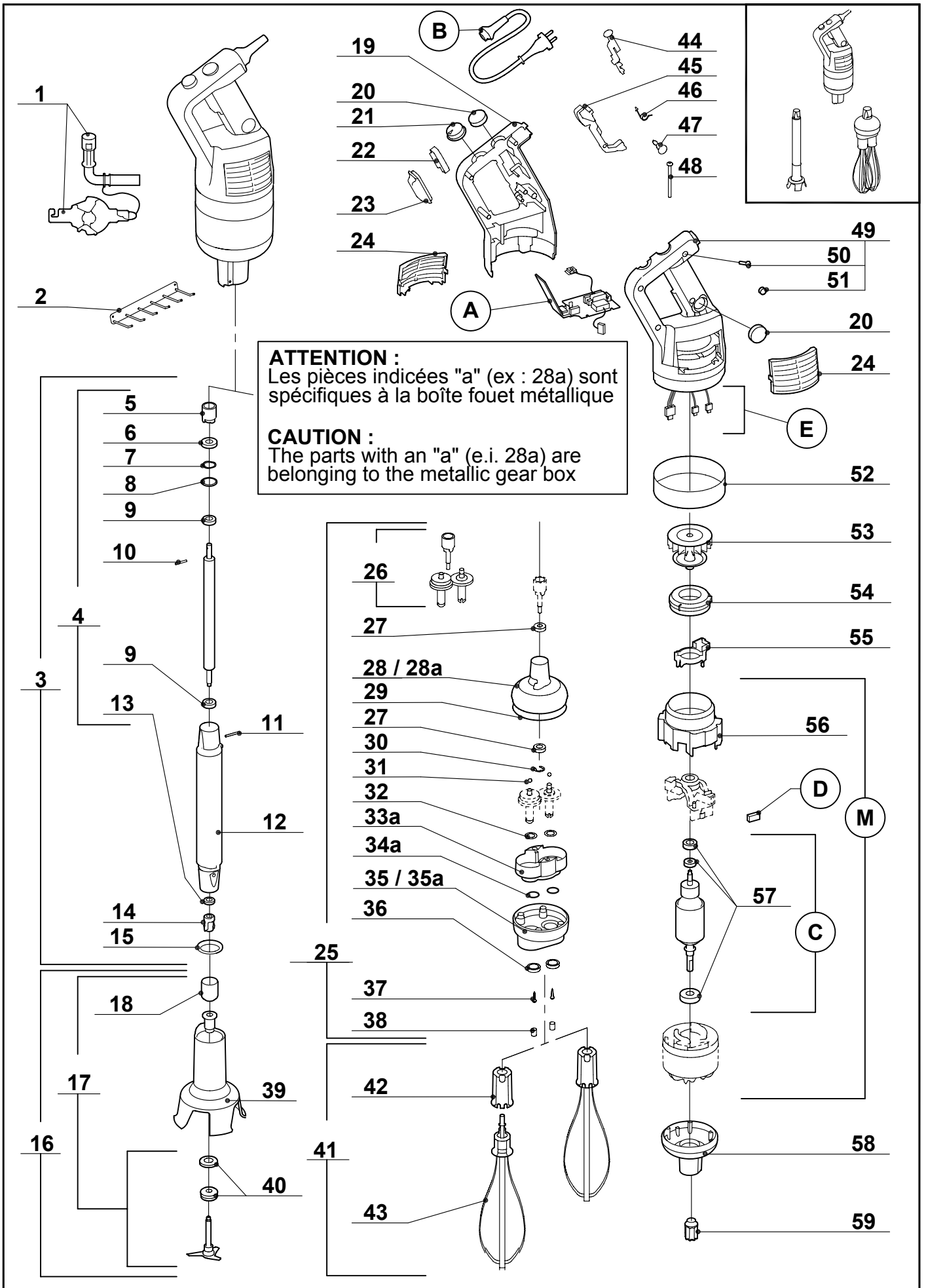
INDEX	REF.	DESIGNATION	Pricelist in : EUR
50	29733	MP450/550 SCREW & COVER	3,40
51	29544	Cap ass	3,70
52	102938	Ferrule	7,75
53	102958	Ventilator-aimant	4,75
54	102728	Air duct	2,30
55	102741	Self rest	0,85
56	503058	MP450/550 MOTOR FAN GUARD	2,15
57	29507	Motor bearing ass	12,75
58	102901	Aluminium casing	22,80
59	102816	Driving hub	1,30

**robot coupe®**

**MP 350 Combi**

Pricelist in : EUR

N°	M	Voltage	A	B	C	D	E	
34100	303093 113,35	230 / 50 / 1	29735 42,80	29675 10,60	29508 51,50	503059 1,20	29550 9,30	
34104	303093 113,35	220 / 60 / 1	29735 42,80	29675 10,60	29508 51,50	503059 1,20	29550 9,30	
34105	303094 113,35	120 / 60 / 1	29723 42,80	29713 10,60	29509 51,50	503060 1,20	29551 9,30	



- (A)** CIRCUIT BOARD
- (B)** POWER CORD
- (C)** INDUCED CIRCUIT
- (D)** 120 V MP BRUSHES
- (E)** ELECTRICAL WIRING
- (M)** MOTOR

INDEX	REF.	DESIGNATION	Pricelist in : EUR
1	29540	MP450/550 BLADE TOOL	14,65
2	102897	Support mural MP combi	14,20
3	102883	MP450 COMBI FOOT	94,00
4	29549	Driving shaft MP 450 C ass	44,70
5	102832	MP350/450 COMBI DRIVE HUB COUPLING	2,85
6	102963	Stop bearing	1,25
7	203118	Elastic ring	1,65
8	507075	MMP FOOT SEAL	1,60
9	507005	MP450/550 BEARING 608RS	3,50
10	203080	MP35/450 COMBI DRIVE SHAFT PIN	0,50
11	203083	MP350/450 COMBI FOOT PIN	0,50
12	102828	MP450 COMBI FOOT	53,50
13	507004	MP450/550 SEAL 18X8X15	3,50
14	102422	MP550 MALE DRIVE COUPLING	10,00
15	102417	MP450/550 FOOT SEAL GREY	2,40
16	29505	MP450 BELL COVER COMPLETE	100,15
17	29503	MP450 BLADE ASSEMBLY	36,85
18	102410	MP350/450 FEMALE DRIVE COUPLING	10,00
19	29547	MP450/550 R/HAND HANDLE CASE	17,55
20	29669	MP450 CAP COVER	3,40
21	29719	MP350/450 COMBI/VV SWITCH COVER SET	4,05
22	29718	MP450 SEAL SCREW CAP ASSEMBLY	3,40
23	29717	MP450 ARM CAP ASSEMBLY	3,40
24	102437	MP450/550 VENT COVER	1,80
25	103957	MP450 DRIVE GEAR COMPLETE	115,50
26	29647	MP450FW GEAR ASSEMBLY	58,25
27	29726	Bearing-cap screw whip box ass	9,85
28	29553	Upper body ass FW	10,70
28a	29981	ALU UPPER BODY ASSY	30,00
29	29727	Seal-cap screw ass	4,70
30	29728	Ring "E"-cap screw ass	3,20
31	29729	Ball-cap screw ass	3,55
32	29730	Wearing ring ass-cap screw ass	3,40
33a	29982	LOWER PLATE WHIP BOX ALU	28,20
34a	29962	SEAL WHIP BOX ALU ASSY	3,65
35	29554	Lower body ass FW	14,05
35a	29963	ALU LOWER BODY WHIP BOX	21,65
36	29731	Seal-cap screw ass	3,55
37	29732	Screw 3*19-cap screw ass	3,40
38	29734	MP450 FW GEAR SCREW KIT	6,40
39	29504	MP450 BELL COVER ASSEMBLY	68,35
40	507000	MP450/550 BELL COVER SEAL 2PCE	14,95
41	102880	MP350/450 WHISK (ONE)	51,20
42	102740	MP450FW WHISK HUB	3,30
43	102813	Flat strands	47,90
44	29543	MP450/550 RELEASE SWITCH ACTUATOR	8,70
45	29721	Command arm-cap screw ass	17,05
46	29720	Adjusting spring-cap screw ass	3,40
47	29542	MP450/550 SWITCH LOCK ACTUATOR	8,70
48	203057	MP450/550 CASING SCREW	0,35
49	29545	MP450/550 LEFT HAND HANDLE CASE	17,55

**robot coupe®**

**MP 450 Combi**

<b>INDEX</b>	<b>REF.</b>	<b>DESIGNATION</b>	<b>Pricelist in : EUR</b>
<b>50</b>	29733	MP450/550 SCREW & COVER	3,40
<b>51</b>	29544	Cap ass	3,70
<b>52</b>	102941	Ferrule	7,75
<b>53</b>	102958	Ventilator-aimant	4,75
<b>54</b>	102728	Air duct	2,30
<b>55</b>	102741	Self rest	0,85
<b>56</b>	503058	MP450/550 MOTOR FAN GUARD	2,15
<b>57</b>	29507	Motor bearing ass	12,75
<b>58</b>	102901	Aluminium casing	22,80
<b>59</b>	102816	Driving hub	1,30

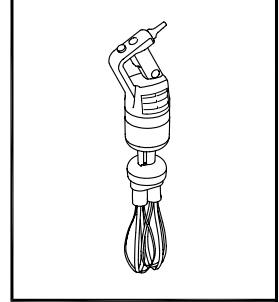
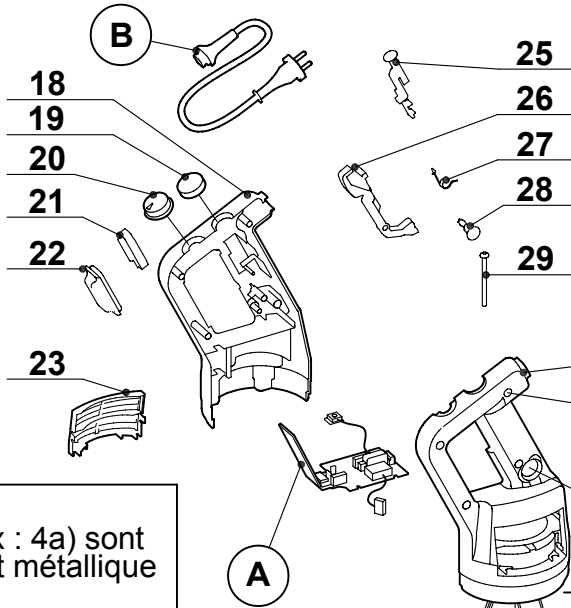
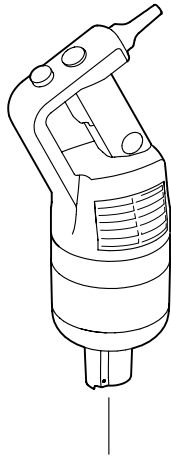
**robot coupe®**

**MP 450 Combi**

Pricelist in : EUR

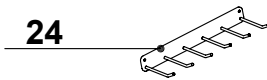
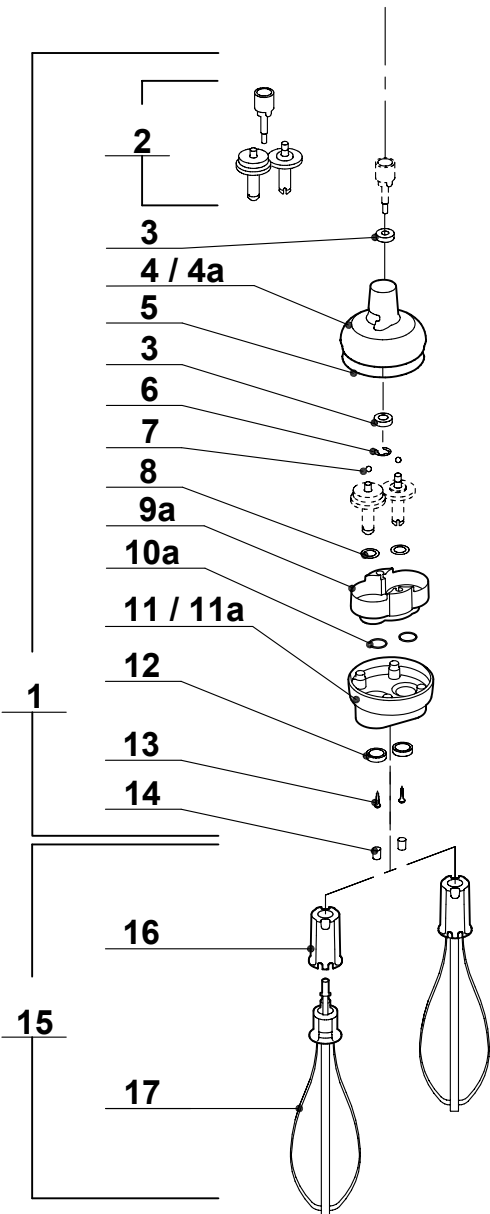
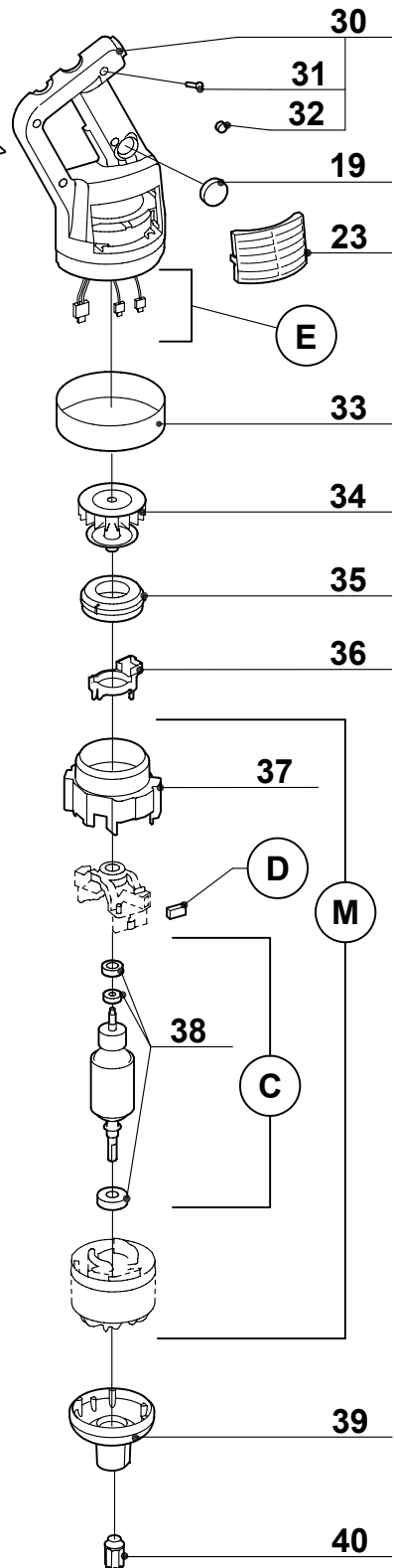
N°	M	Voltage	A	B	C	D	E	
34110	302006 113,35	230 / 50 / 1	29735 42,80	29675 10,60	29508 51,50	503059 1,20	29550 9,30	
34114	302006 113,35	220 / 60 / 1	29735 42,80	29675 10,60	29508 51,50	503059 1,20	29550 9,30	
34115	302022 113,35	120 / 60 / 1	29723 42,80	29713 10,60	29509 51,50	503060 1,20	29551 9,30	





**ATTENTION :**  
Les pièces indicées "a" (ex : 4a) sont spécifiques à la boîte fouet métallique

**CAUTION :**  
The parts with an "a" (e.i. 4a) are belonging to the metallic gear box



- (A)** CIRCUIT BOARD
- (B)** POWER CORD
- (C)** INDUCED CIRCUIT
- (D)** 120 V MP BRUSHES
- (E)** ELECTRICAL WIRING
- (M)** MOTOR

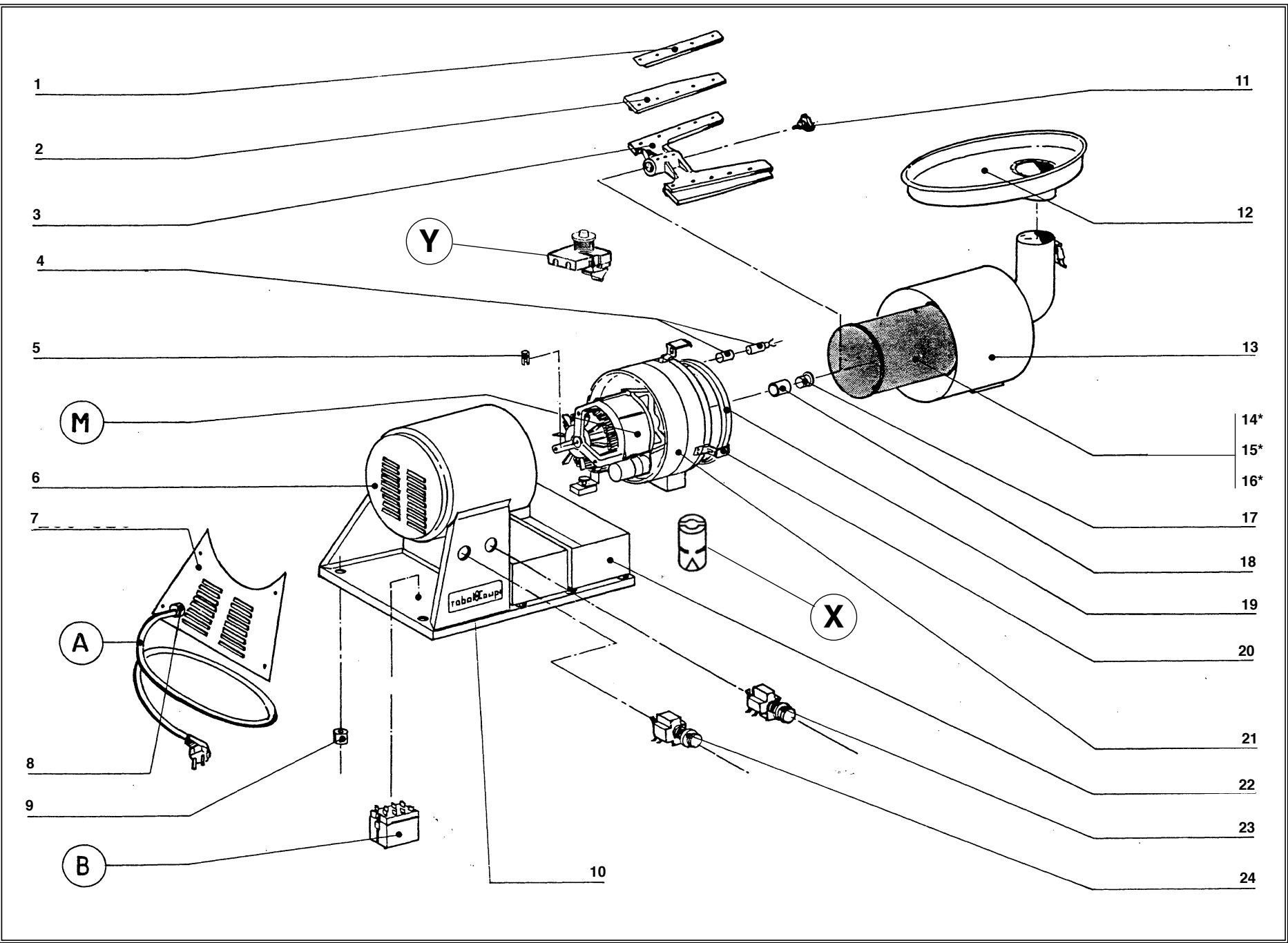
INDEX	REF.	DESIGNATION	Pricelist in : EUR
1	103957	MP450 DRIVE GEAR COMPLETE	115,50
2	29647	MP450FW GEAR ASSEMBLY	58,25
3	29726	Bearing-cap screw whip box ass	9,85
4	29553	Upper body ass FW	10,70
4a	29981	ALU UPPER BODY ASSY	30,00
5	29727	Seal-cap screw ass	4,70
6	29728	Ring "E"-cap screw ass	3,20
7	29729	Ball-cap screw ass	3,55
8	29730	Wearing ring ass-cap screw ass	3,40
9a	29982	LOWER PLATE WHIP BOX ALU	28,20
10a	29962	SEAL WHIP BOX ALU ASSY	3,65
11	29554	Lower body ass FW	14,05
11a	29963	ALU LOWER BODY WHIP BOX	21,65
12	29731	Seal-cap screw ass	3,55
13	29732	Screw 3*19-cap screw ass	3,40
14	29734	MP450 FW GEAR SCREW KIT	6,40
15	102880	MP350/450 WHISK (ONE)	51,20
16	102740	MP450FW WHISK HUB	3,30
17	102813	Flat strands	47,90
18	29547	MP450/550 R/HAND HANDLE CASE	17,55
19	29669	MP450 CAP COVER	3,40
20	29719	MP350/450 COMBI/VV SWITCH COVER SET	4,05
21	29718	MP450 SEAL SCREW CAP ASSEMBLY	3,40
22	29717	MP450 ARM CAP ASSEMBLY	3,40
23	102437	MP450/550 VENT COVER	1,80
24	102897	Support mural MP combi	14,20
25	29543	MP450/550 RELEASE SWITCH ACTUATOR	8,70
26	29721	Command arm-cap screw ass	17,05
27	29720	Adjusting spring-cap screw ass	3,40
28	29542	MP450/550 SWITCH LOCK ACTUATOR	8,70
29	203057	MP450/550 CASING SCREW	0,35
30	29545	MP450/550 LEFT HAND HANDLE CASE	17,55
31	29733	MP450/550 SCREW & COVER	3,40
32	29544	Cap ass	3,70
33	102959	Ferrule MP 450 FW	7,75
34	102958	Ventilator-aimant	4,75
35	102728	Air duct	2,30
36	102741	Self rest	0,85
37	503058	MP450/550 MOTOR FAN GUARD	2,15
38	29507	Motor bearing ass	12,75
39	102901	Aluminium casing	22,80
40	102816	Driving hub	1,30

**robot coupe®**

**MP 450 FW**

Pricelist in : EUR

N°	M	Voltage	A	B	C	D	E	
34120	302006 113,35	230 / 50 / 1	29735 42,80	29675 10,60	29508 51,50	503059 1,20	29550 9,30	
34124	302006 113,35	220 / 60 / 1	29735 42,80	29675 10,60	29508 51,50	503059 1,20	29550 9,30	
34125	302022 113,35	120 / 60 / 1	29723 42,80	29713 10,60	29509 51,50	503060 1,20	29551 9,30	



robot coupe

C 80

(02 / 1998)

- (A)** POWER CORD
- (B)** CL401 MULTI-TERM. RELAY
- (M)** C80 MOTOR 240V 50HZ
- (X)** CAPACITOR
- (Y)** MOTOR RELAY

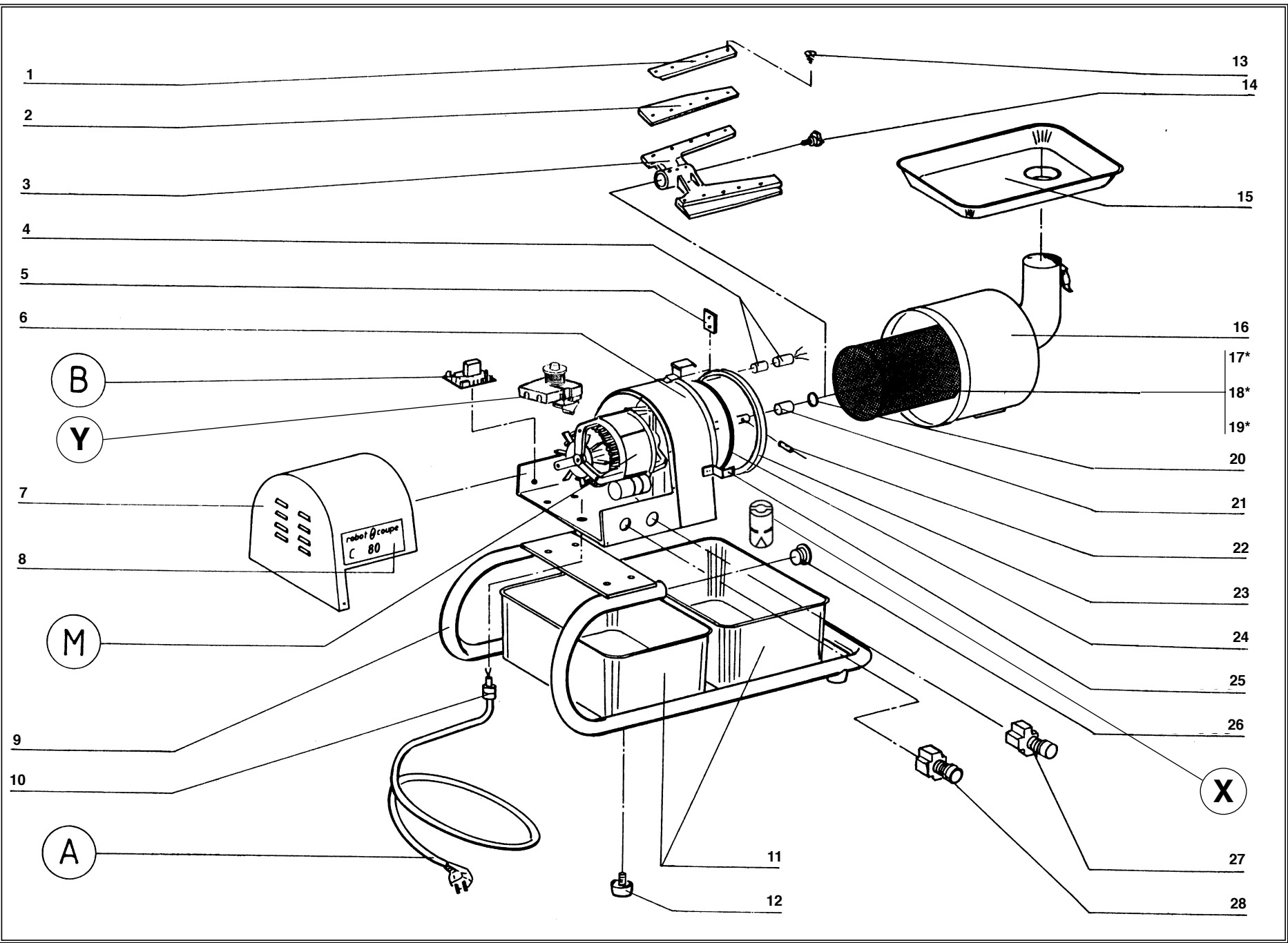
INDEX	REF.	DESIGNATION	Pricelist in : EUR
1	100327	C80 RUBBER HOLDING STRIP	5,75
2	100338	C80 PADDLE RUBBER	See Price list
3	100329	C80 PADDLE ASSEMBLY	88,70
4	29052	C80 REED SWITCH	6,30
5	208002	C80 SHAFT PIN	2,30
6	100319	BODY	602,15
7	100326	BOTTOM PLATE	47,95
8	515515	CL60 CABLE GROMMET	3,45
9	500499	FEET	2,10
10	400469	FRONT PLATE	11,25
11	59003	C80 PADDLE KNOB	2,70
12	100317	HOPPER	191,75
13	100318	BOWL	485,30
14	57007	C80 1MM SIEVE	See Price list
15	57008	C80 SIEVE 3MM	See Price list
16	57009	C80 0.5MM SIEVE	See Price list
17	503129	C80 SEAL 15x30x4.5	1,30
18	500476	C80 COPPER SEAL	7,40
19	101061	C80 (A) HOUSING SEAL	9,55
20	500522	C80 LOCK CLIP	11,80
21	29133	MOTOR SUPPORT ASS	215,75
22	500938	PLASTIC RECEIVER	4,50
23	500300	CL50 RED SWITCH ASSEMBLY	31,85
24	500322	GREEN KNOB	32,90

**robot coupe®**

**C 80**

**Pricelist in : EUR**

N°	M	Voltage	A	B	X	Y	
55002	29135 211,20	220 / 50 / 1	507320 10,00	509124 42,75	600018 12,30	500289 13,10	
55004	29137 211,20	115 / 60 / 1	503206 10,00	509135 48,45	603669 10,55	500296 13,10	



robot coupe

C 80 A

(03 / 2000)

- (A)** POWER CORD
- (B)** C80A PCB
- (M)** C80 (A) MOTOR
- (X)** CAPACITOR
- (Y)** MOTOR RELAY

INDEX	REF.	DESIGNATION	Pricelist in : EUR
1	100327	C80 RUBBER HOLDING STRIP	5,75
2	100338	C80 PADDLE RUBBER	See Price list
3	100329	C80 PADDLE ASSEMBLY	88,70
4	29053	C80A 60/1 REED SWITCH	5,30
5	101226	C80A SIEVE SMALL PLATE	3,80
6	29215	C80 (A) MOTOR SUPPORT ASSEMBLY	360,35
7	101212	C80A MOTOR HOUSING	167,90
8	400649	C80A FRONT PLATE	11,25
9	101227	C80 A LEG ASY	241,80
10	515515	CL60 CABLE GROMMET	3,45
11	501194	C80A CONTAINER	9,40
12	101125	CL60 SPACER RING	0,15
13	200101	C80 PADDLE RUBBER SCREWS	0,05
14	59003	C80 PADDLE KNOB	2,70
15	101213	HOPPER	191,75
16	101214	BOWL	485,30
17	57007	C80 1MM SIEVE	See Price list
18	57008	C80 SIEVE 3MM	See Price list
19	57009	C80 0.5MM SIEVE	See Price list
20	503129	C80 SEAL 15x30x4.5	1,30
21	500476	C80 COPPER SEAL	7,40
22	208002	C80 SHAFT PIN	2,30
23	101061	C80 (A) HOUSING SEAL	9,55
24	502443	C80 (A) BOWL SEAL 200 X 5	3,85
25	500806	C80 (A) CLIP	11,80
26	500559	C80A TUBE CAP	1,00
27	500321	RED KNOB	32,90
28	500322	GREEN KNOB	32,90

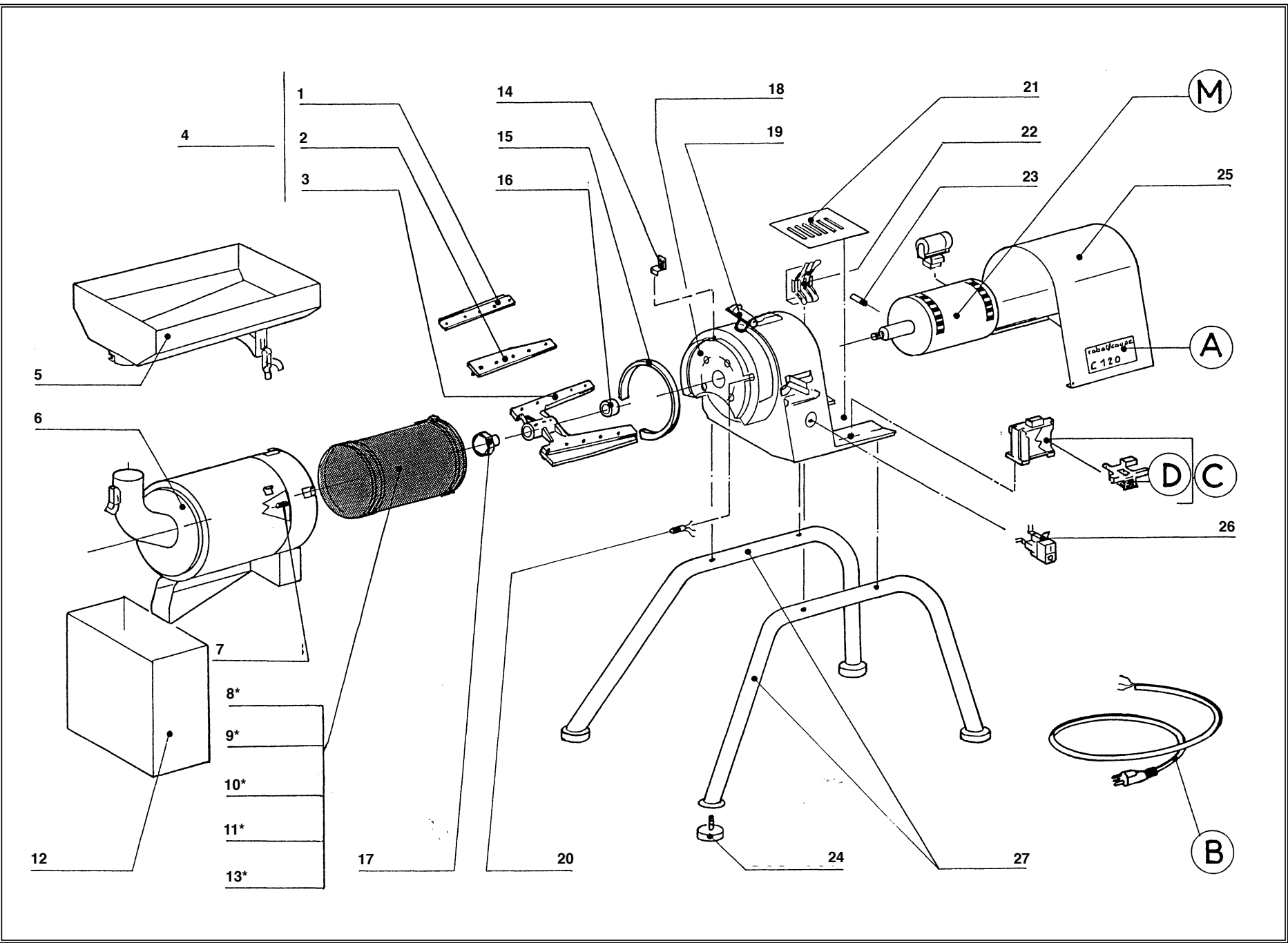


**robot coupe®**

**C 80 A**

**Pricelist in : EUR**

N°	M	Voltage	A	B	X	Y	
55012	29212 211,20	220 / 50 / 1	507322 10,00	29198 33,55	600018 12,30	500289 13,10	
55014	29214 211,20	115 / 60 / 1	507329 10,00	29199 33,55	603669 10,55	500296 13,10	
55017	29566 211,20	220 / 60 / 1	507322 10,00	29198 33,55	603669 10,55	500289 13,10	



robot coupe

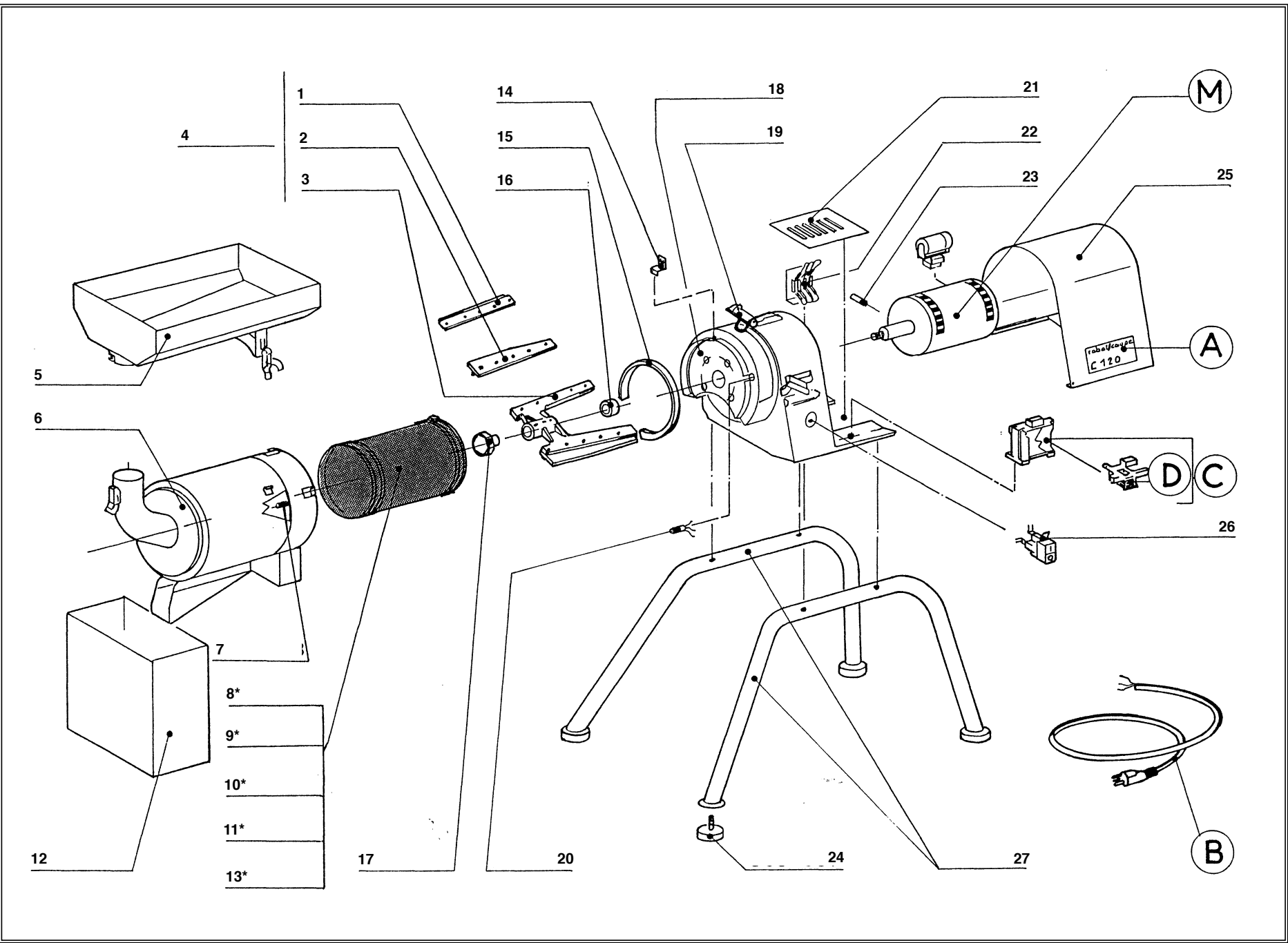
C 120 / C 200

(02 / 1998)

- (A)** FRONT PLATE
- (B)** POWER CORD
- (C)** CONTACTOR
- (D)** COIL
- (M)** C120 MOTOR 240V 50HZ
- (X)** CAPACITOR
- (Y)** C120 RELAY 2CR3 216

INDEX	REF.	DESIGNATION	Pricelist in : EUR
1	100702	C120 PADDLE RUBBER	Contact us
2	100701	C120 RUBBER HOLDING STRIP	8,05
3	100172	TOOL	192,65
4	59017	C120 PADDLE ASSEMBLY N/S	224,55
5	141790	C120 TRAY ASSEMBLY	339,70
6	141780	C120 BOWL ASSEMBLY	705,20
7	121858	C120 MAGNET	9,25
8	57019	C120 2MM SIEVE	See Price list
9	57020	PERFOR BASKET 5MM C120	See Price list
10	57211	C120 SIEVE 0.5MM	See Price list
11	57145	C120 SIEVE 1MM	See Price list
12	508080	PLASTIC RECEIVER	31,65
13	57156	C120 SIEVE 3MM	See Price list
14	121836	BASKET BINDING IRON	26,90
15	101060	C120 HOUSING SEAL	11,10
16	507694	C120 MOTOR SEAL 24X40X8	7,95
17	500445	C120 PADDLE ASS LOCK KNOB	4,50
18	29134	MOTOR SUPPORT ASS	476,85
19	507683	C120 LOCKING CLIP ASSEMBLY	9,50
20	29050	C120 REED SWITCH ASSEMBLY	6,30
21	121847	BOTTOM PLATE	30,75
22	500373	C120 RESISTOR	19,35
23	208582	R172 STAR WASHER N/A	6,65
24	505087	C120 RUBBER FOOT	23,70
25	121748	MOTOR HOUSING	195,65
26	509091	ON/OFF SWITCH	60,10
27	59020	LEGS ASS	788,20

N°	M	Voltage	A	B	C	D	X	Y	
55011	29143 634,15	220 / 50 / 1	400480 8,35	507322 10,00	503888 54,45	504053 40,30	508211 29,90	508255 48,45	
55022	29142 634,15	115 / 60 / 1	400480 8,35	507329 10,00	508189 55,25	508190 41,05	505461 44,05	508277 50,50	
55000	29138 654,10	220/380 / 50 / 3	400480 8,35	501017 29,05	507650 76,65	507661 90,15	---	---	
55009	29210 499,90	220 / 60 / 3	400480 8,35	501017 29,05	507650 76,65	507661 90,15	---	---	



robot coupe

C 120 / C 200

(02 / 1998)

- (A)** BLENDER INTERFER. FILTER
- (B)** POWER CORD
- (C)** CONTACTOR
- (D)** COIL
- (M)** C200 MOTOR 415V 3 PHASE

INDEX	REF.	DESIGNATION	Pricelist in : EUR
1	100702	C120 PADDLE RUBBER	Contact us
2	100701	C120 RUBBER HOLDING STRIP	8,05
3	100172	TOOL	192,65
4	59017	C120 PADDLE ASSEMBLY N/S	224,55
5	141790	C120 TRAY ASSEMBLY	339,70
6	141780	C120 BOWL ASSEMBLY	705,20
7	121858	C120 MAGNET	9,25
8	57019	C120 2MM SIEVE	See Price list
9	57020	PERFOR BASKET 5MM C120	See Price list
10	57211	C120 SIEVE 0.5MM	See Price list
11	57145	C120 SIEVE 1MM	See Price list
12	508080	PLASTIC RECEIVER	31,65
13	57156	C120 SIEVE 3MM	See Price list
14	121836	BASKET BINDING IRON	26,90
15	101060	C120 HOUSING SEAL	11,10
16	507694	C120 MOTOR SEAL 24X40X8	7,95
17	500445	C120 PADDLE ASS LOCK KNOB	4,50
18	29134	MOTOR SUPPORT ASS	476,85
19	507683	C120 LOCKING CLIP ASSEMBLY	9,50
20	29050	C120 REED SWITCH ASSEMBLY	6,30
21	121847	BOTTOM PLATE	30,75
22	500373	C120 RESISTOR	19,35
23	208582	R172 STAR WASHER N/A	6,65
24	505087	C120 RUBBER FOOT	23,70
25	121748	MOTOR HOUSING	195,65
26	509091	ON/OFF SWITCH	60,10
27	59020	LEGS ASS	788,20

N°	M	Voltage	A	B	C	D	
55006	29144 722,80	220/380 / 50 / 3	501066 <a href="#">Contact us</a>	501017 29,05	507650 76,65	507661 90,15	
55007	29171 722,80	220 / 60 / 3	401066 8,35	501017 29,05	503888 54,45	504053 40,30	